



US00D756576S

(12) **United States Design Patent**  
**Wang**

(10) **Patent No.:** **US D756,576 S**  
(45) **Date of Patent:** **\*\* May 17, 2016**

(54) **SWEEPING MACHINE**  
(71) Applicant: **Dongguan Viper Cleaning Equipment Co., Ltd., Dongguan (CN)**  
(72) Inventor: **ZiSong Wang, Dongguan (CN)**  
(73) Assignee: **Dongguan Viper Cleaning Equipment Co., Ltd., Dongguan (CN)**

4,542,551 A \* 9/1985 Phillips ..... A47L 11/162  
15/49.1  
D296,250 S \* 6/1988 Genovese ..... D32/19  
D296,251 S \* 6/1988 Genovese ..... D32/19  
D296,252 S \* 6/1988 Genovese ..... D32/19  
D297,778 S \* 9/1988 Lallerstedt ..... D32/15  
D307,068 S \* 4/1990 Bradd ..... D32/19  
D307,204 S \* 4/1990 Bradd ..... D32/19

(Continued)

(\*\*) Term: **14 Years**  
(21) Appl. No.: **29/437,954**  
(22) Filed: **Nov. 21, 2012**

**FOREIGN PATENT DOCUMENTS**

CA 41276 \* 10/1976  
CN 300960667 \* 7/2009

**OTHER PUBLICATIONS**

Dulevo H404 Series, Announced Jan. 15, 2009, [Site Visited Dec. 19, 2014] <http://www.dulevo.com/machines/404.html>.\*

(Continued)

(30) **Foreign Application Priority Data**  
May 23, 2012 (CN) ..... 2012 3 0192067  
(51) **LOC (10) Cl.** ..... **15-05**  
(52) **U.S. Cl.**  
USPC ..... **D32/15**  
(58) **Field of Classification Search**  
USPC ..... D32/19, 20, 21, 15, 25, 22, 16; 15/49.1,  
15/41.1, 42, 50.1, 50.3, 52.1, 79.1, 87,  
15/179-180, 230, 231.11, 230.15, 230.17,  
15/239.18, 230.19, 79 A, 49 R, 49 C;  
451/353  
CPC ... A47L 11/162; A47L 11/00; A47L 11/4008;  
A47L 11/14; A47L 11/065; H01H 3/02;  
B24B 23/03  
See application file for complete search history.

*Primary Examiner* — John Windmuller  
*Assistant Examiner* — Luqman McNeil  
(74) *Attorney, Agent, or Firm* — Schwegman Lundberg & Woessner, P.A.

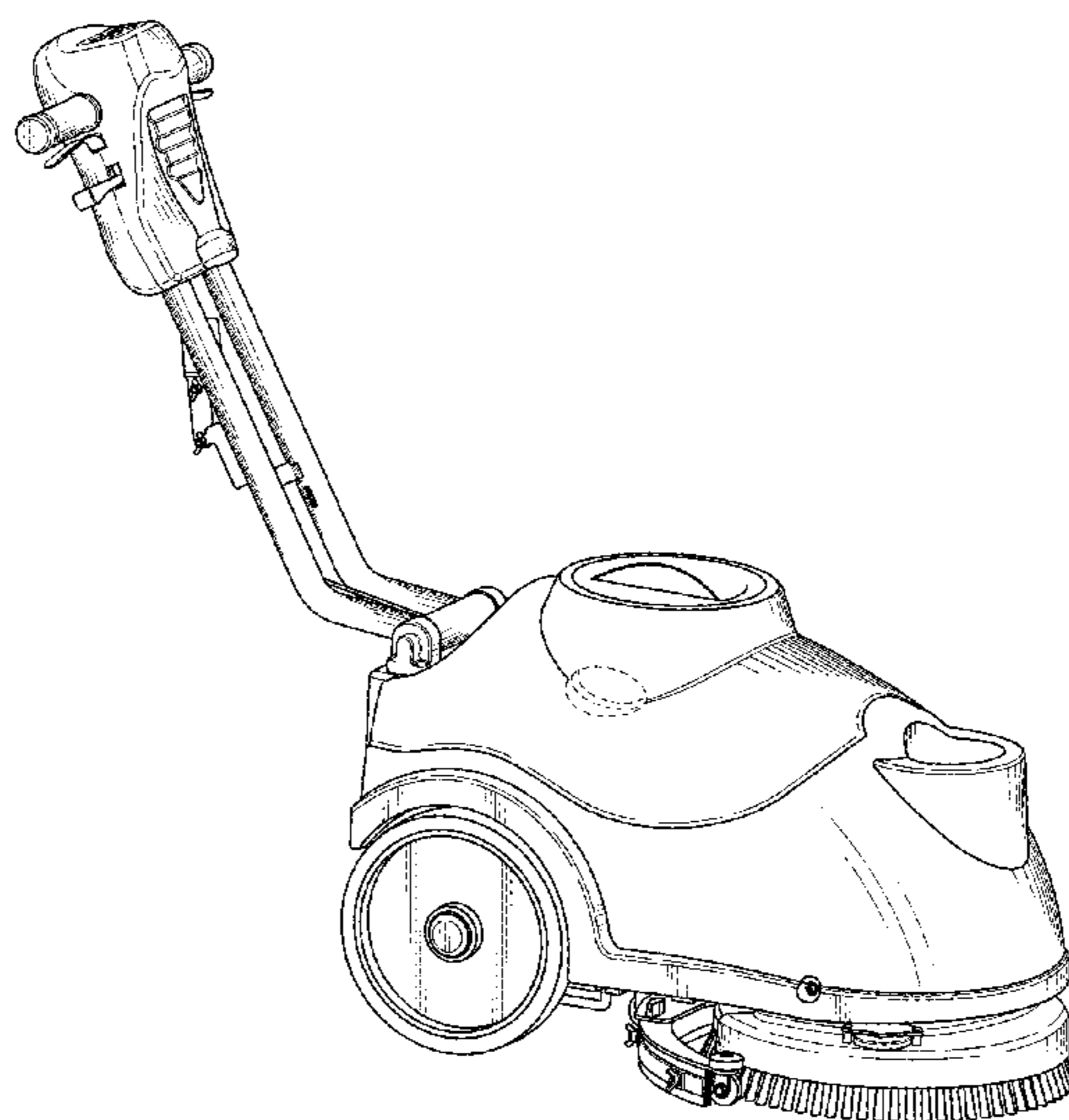
(57) **CLAIM**  
The ornamental design for a sweeping machine, as shown and described.

**DESCRIPTION**

FIG. 1 is a front perspective view of a sweeping machine;  
FIG. 2 is a front view of the sweeping machine;  
FIG. 3 is a rear view of the sweeping machine;  
FIG. 4 is a top view of the sweeping machine;  
FIG. 5 is a bottom view of the sweeping machine;  
FIG. 6 is a right side view of the sweeping machine;  
FIG. 7 is a left side view of the sweeping machine; and,  
FIG. 8 is an alternate front perspective view of the sweeping machine.

**1 Claim, 8 Drawing Sheets**

(56) **References Cited**  
**U.S. PATENT DOCUMENTS**  
D166,572 S \* 4/1952 Pond ..... D32/19  
D178,848 S \* 9/1956 Pond ..... D32/19  
D212,859 S \* 12/1968 St Laurent et al. .... D32/20  
D231,246 S \* 4/1974 Sundenberg ..... D32/19  
D246,973 S \* 1/1978 Deuchar ..... D32/15  
D251,007 S \* 2/1979 Burgoon ..... D32/19



(56)

References Cited

U.S. PATENT DOCUMENTS

D317,667 S \* 6/1991 Bolser ..... 15/28  
 D317,668 S \* 6/1991 Bolser ..... D32/19  
 D321,420 S \* 11/1991 Von Vett ..... D32/19  
 5,098,506 A \* 3/1992 Brown ..... A47L 11/00  
 15/50.1  
 D338,292 S \* 8/1993 Schmitz ..... D32/21  
 D341,913 S \* 11/1993 Swan ..... D32/15  
 D343,705 S \* 1/1994 Gurstein ..... D32/19  
 D343,932 S \* 2/1994 Wulff ..... D32/19  
 5,369,236 A \* 11/1994 Nickels, Jr. .... H01H 3/02  
 200/329  
 5,458,532 A \* 10/1995 Cannone ..... 451/353  
 D381,779 S \* 7/1997 Pritchett ..... D32/22  
 5,870,791 A \* 2/1999 Gurstein ..... A47L 11/162  
 15/49.1  
 5,953,781 A \* 9/1999 Sletten, II ..... A47L 11/4008  
 15/144.3  
 D458,532 S \* 6/2002 Ausilio ..... D8/354  
 D496,763 S \* 9/2004 Chen ..... D32/16

6,971,137 B2 \* 12/2005 Pierce ..... A47L 11/14  
 15/49.1  
 D525,001 S \* 7/2006 Vassanelli ..... D32/15  
 D559,481 S \* 1/2008 Renner ..... D32/15  
 D560,046 S \* 1/2008 Renner ..... D32/15  
 7,318,768 B2 \* 1/2008 Deshpande ..... B24B 23/03  
 451/357  
 D570,061 S 5/2008 Busse et al.  
 7,481,594 B2 \* 1/2009 Martin ..... A46B 11/0006  
 401/268  
 D595,909 S \* 7/2009 Barnes ..... D32/16  
 7,565,712 B2 \* 7/2009 Long ..... A47L 11/065  
 15/22.2  
 D659,310 S \* 5/2012 Dammkoehler ..... D32/19  
 D694,480 S \* 11/2013 Thomas ..... D32/15

OTHER PUBLICATIONS

Scrubber Drier Cleaners Dulevo H402 Series, Announced Jun. 15, 2009, [Site Visited Dec. 17, 2014]<http://www.dulevo.com/machines/scrubber-drier-h402.html>.\*

\* cited by examiner

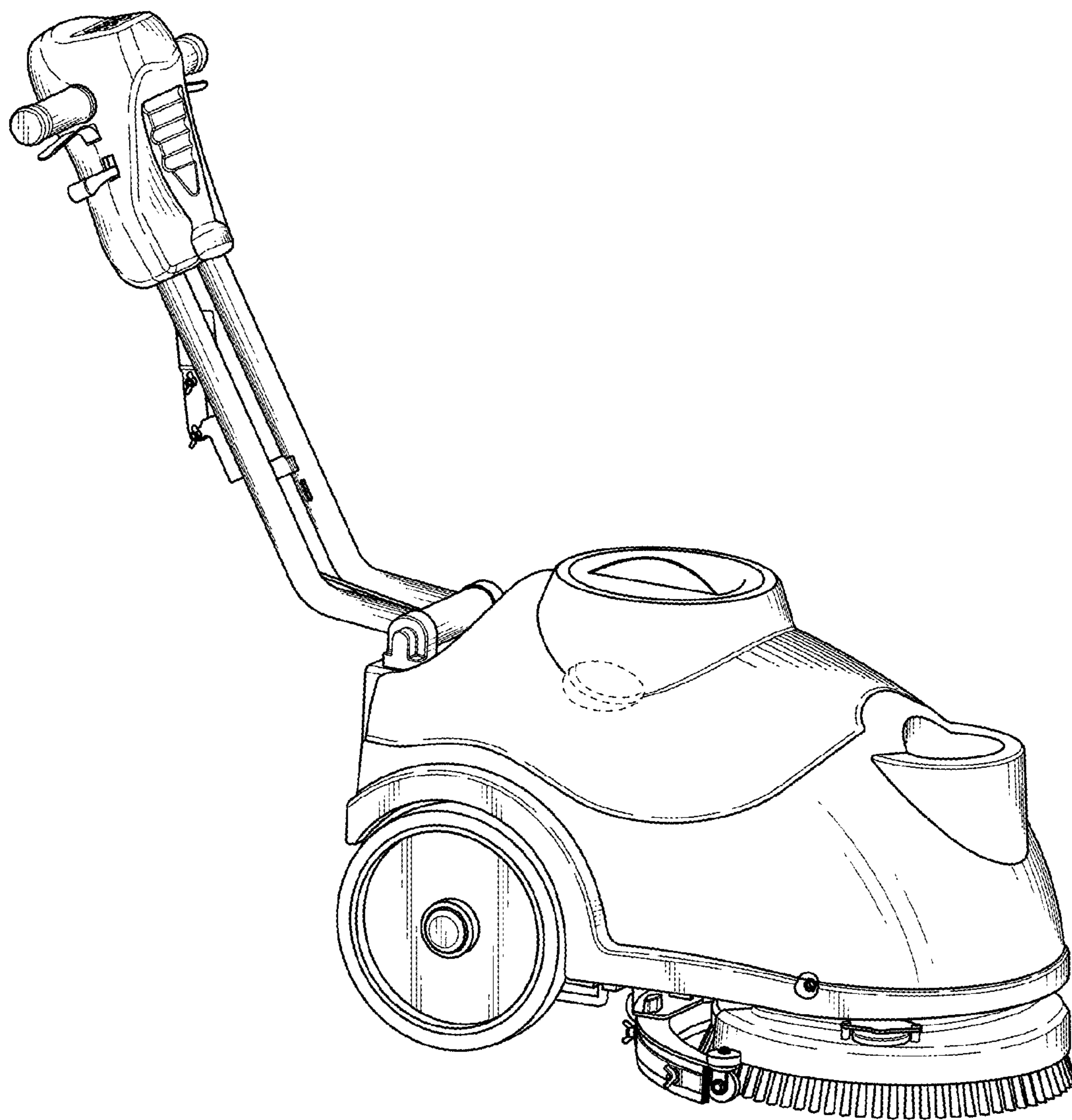


FIG. 1

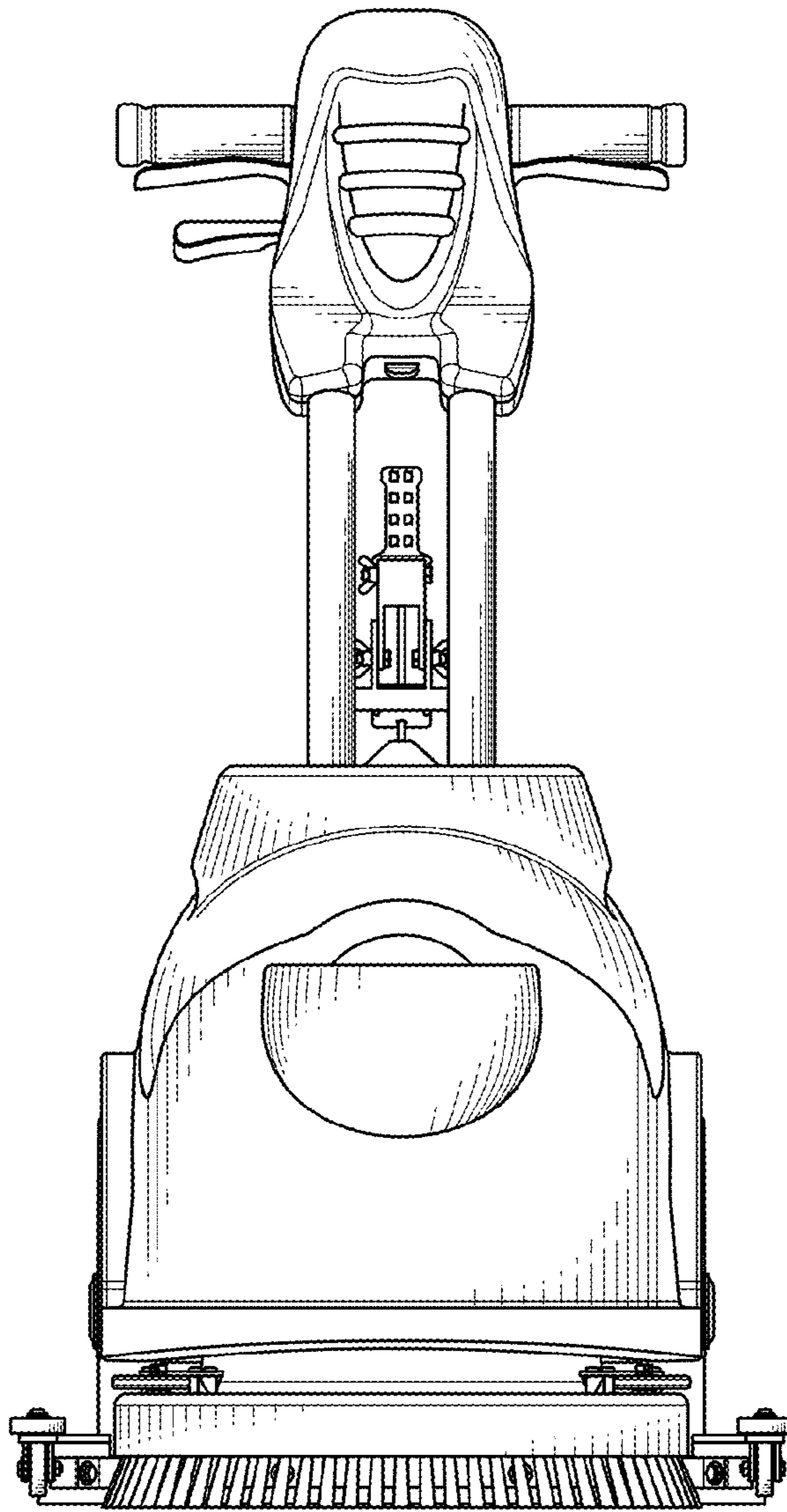


FIG. 2



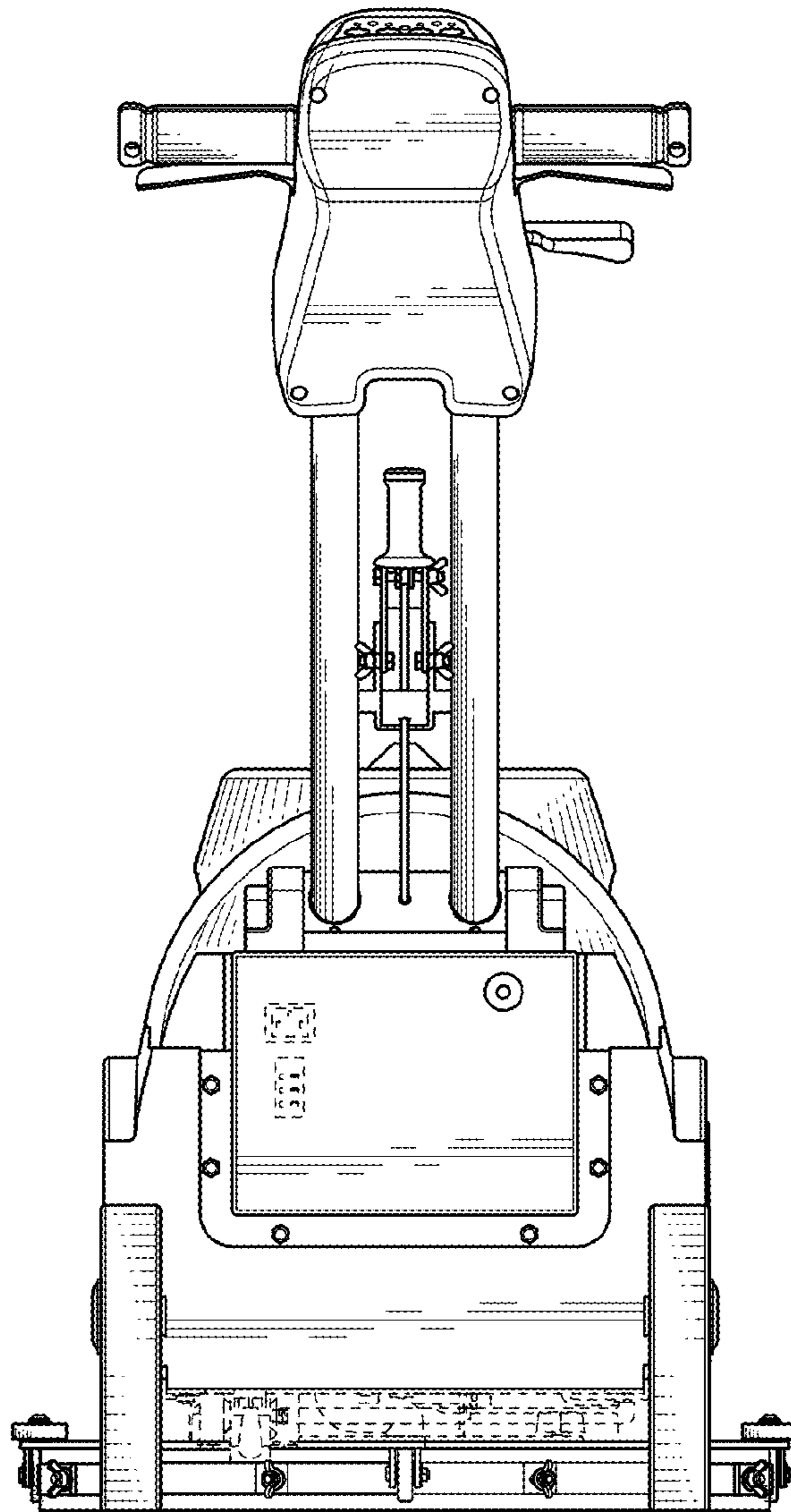


FIG. 3

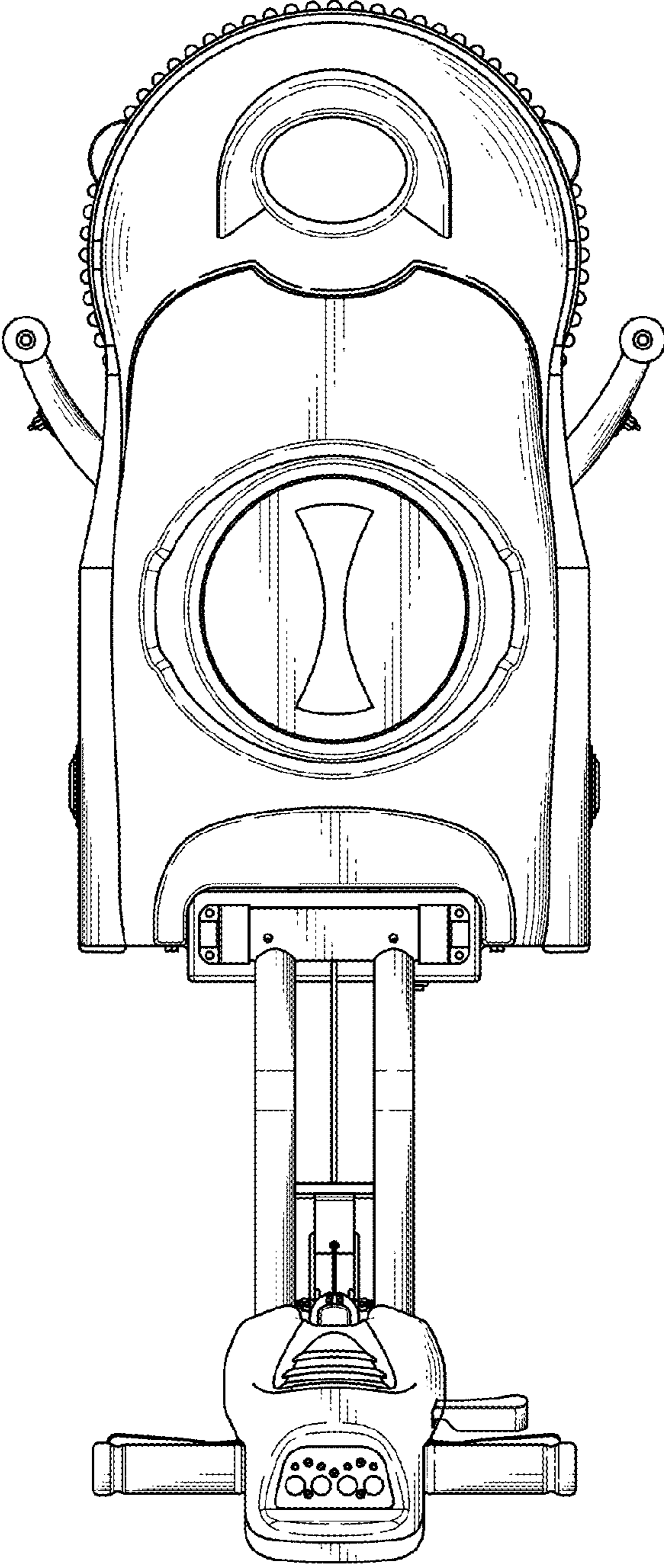


FIG. 4

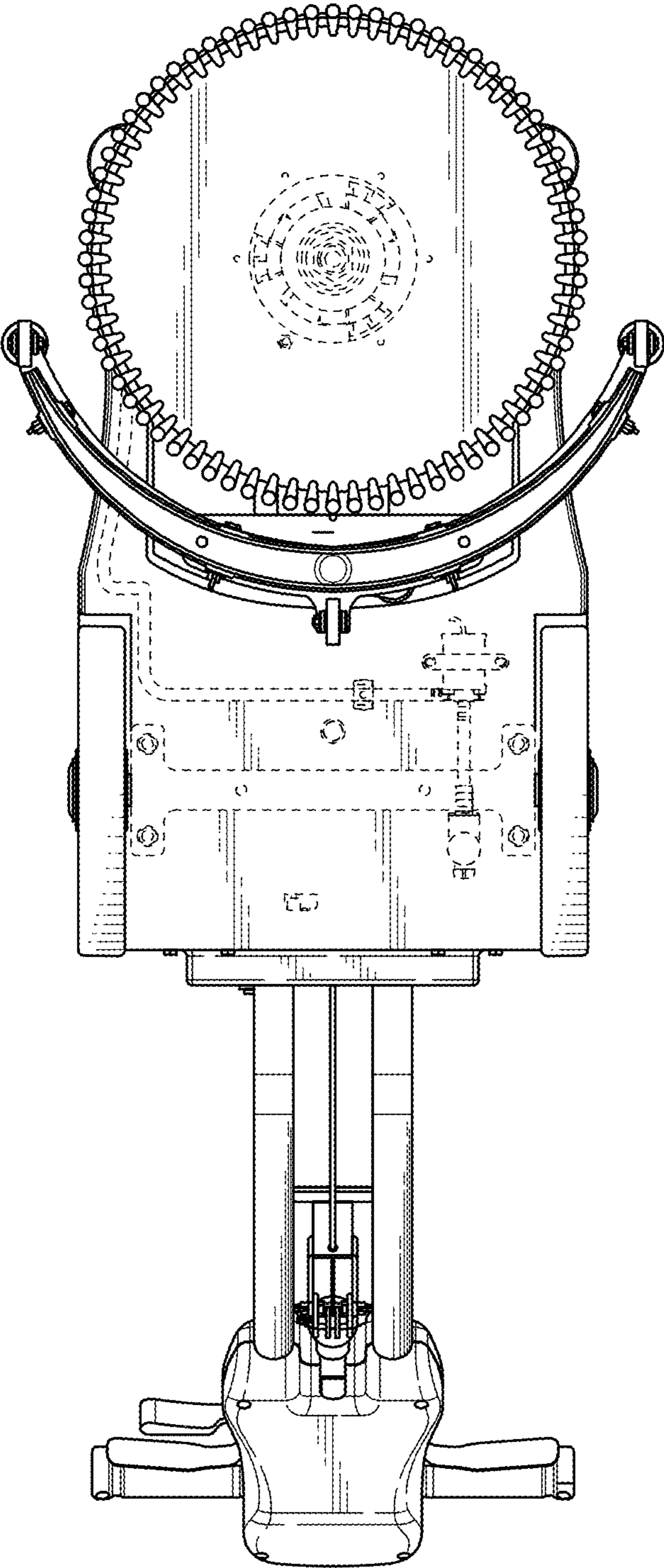


FIG. 5

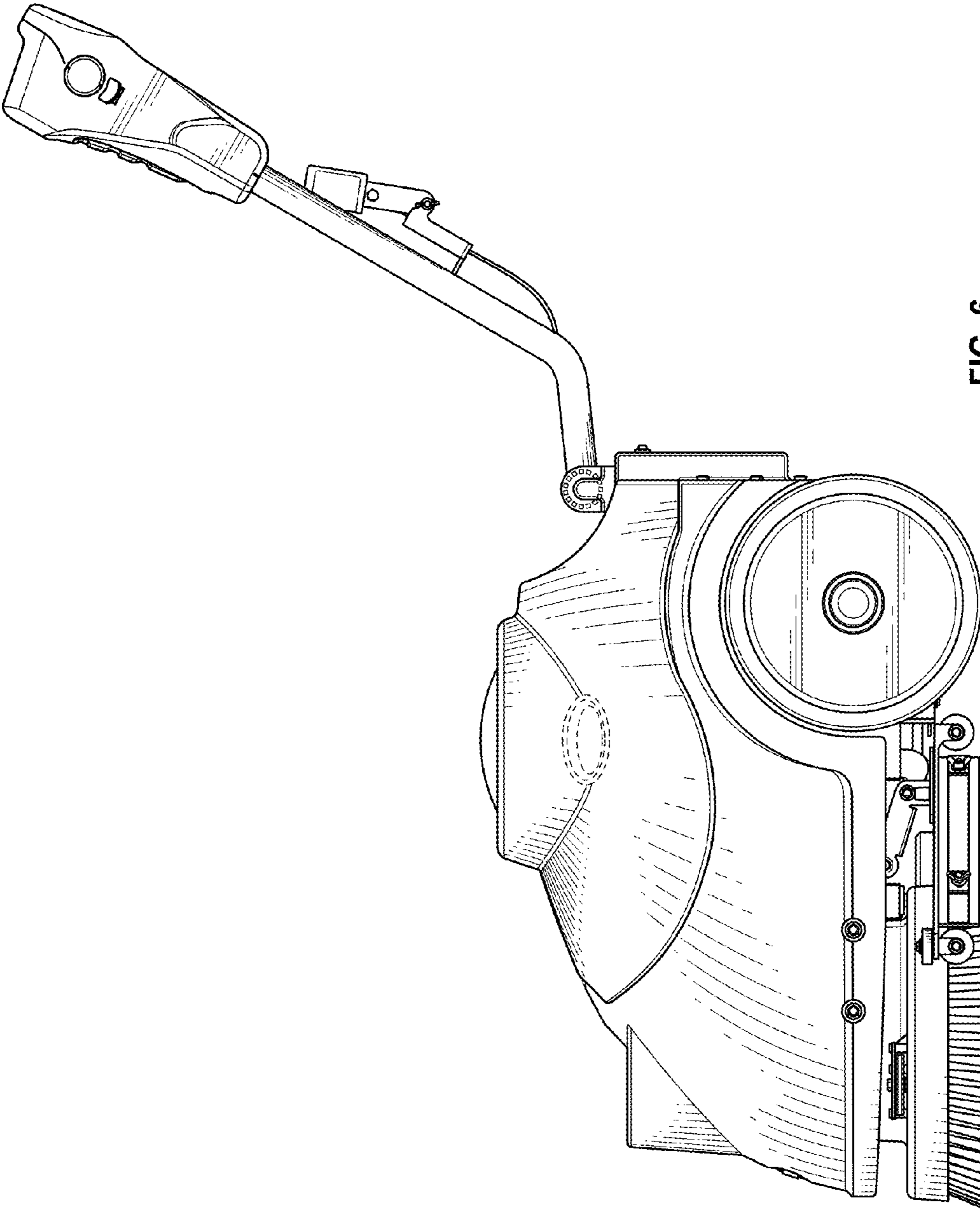


FIG. 6



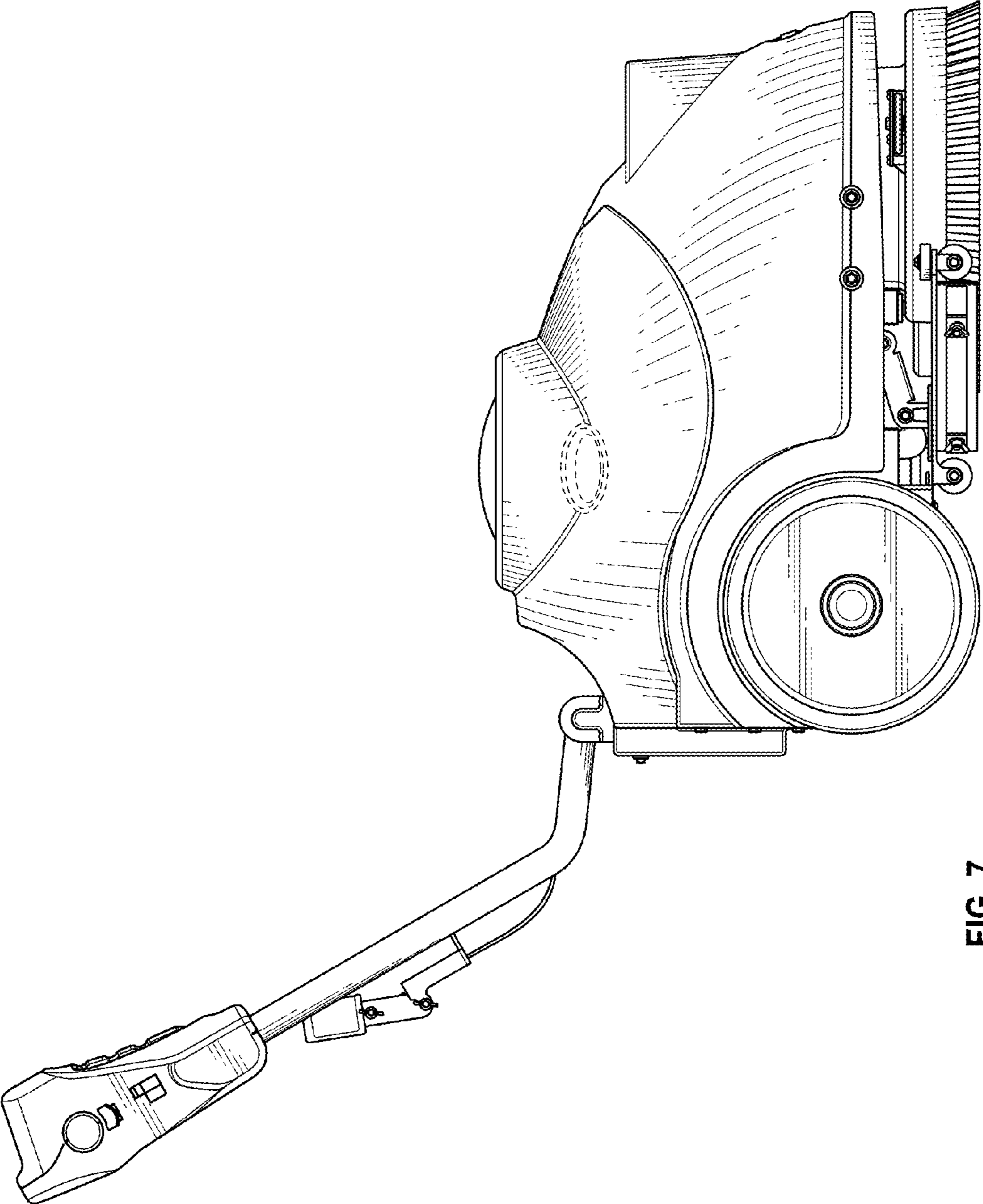


FIG. 7

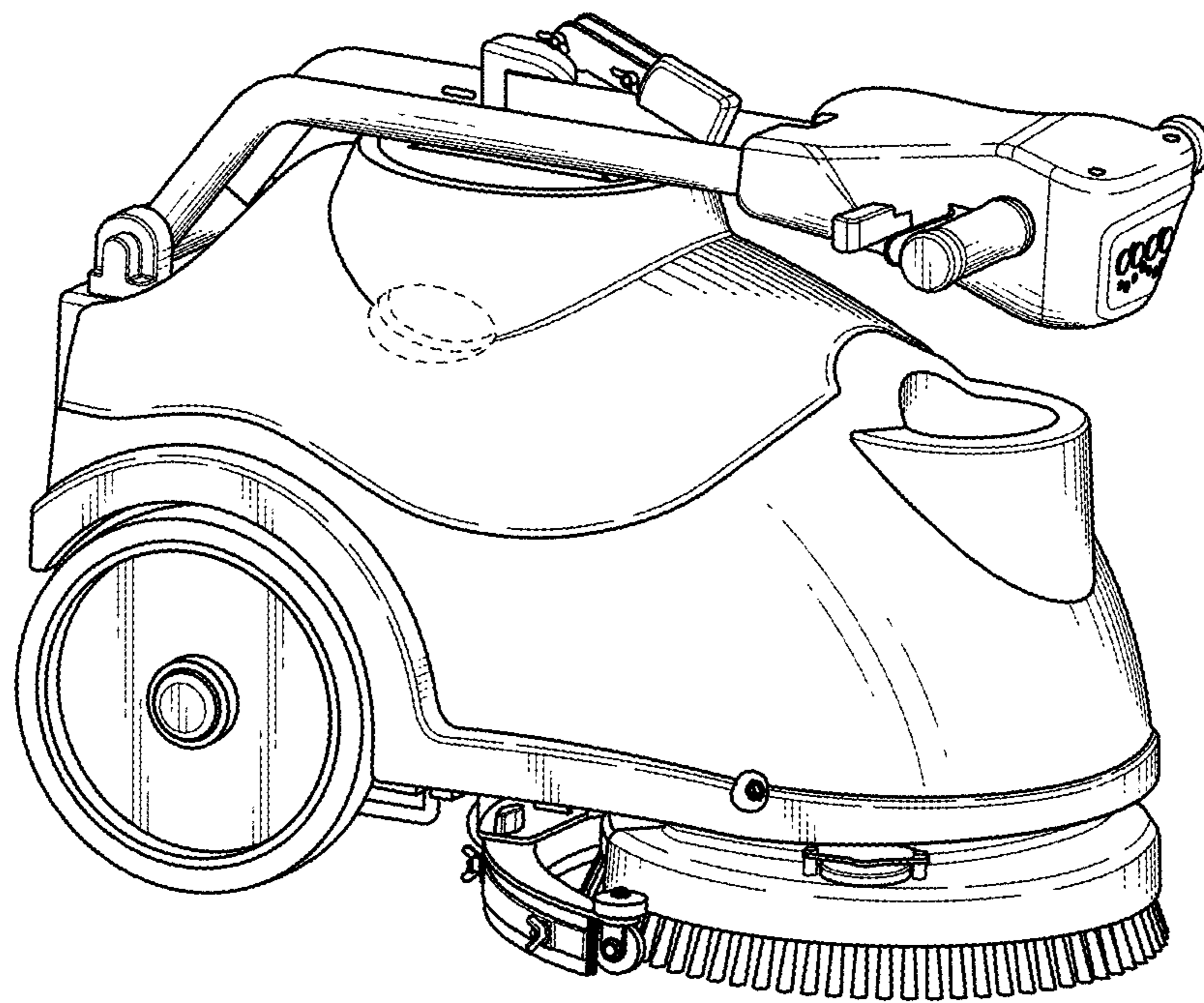


FIG. 8