



US00D756574S

(12) **United States Design Patent**
Jakubowski et al.

(10) **Patent No.:** **US D756,574 S**
(45) **Date of Patent:** **** May 17, 2016**

(54) **FOLDABLE PET STEPS**

(71) Applicant: **Vermont Juvenile Furniture Mfg., Inc.,**
West Rutland, VT (US)

(72) Inventors: **Chris Jakubowski**, Rutland, VT (US);
Rich Wu, Taichung (TW)

(73) Assignee: **Vermont Juvenile Furniture Mfg., Inc.,**
West Rutland, VT (US)

(**) Term: **14 Years**

(21) Appl. No.: **29/519,219**

(22) Filed: **Mar. 3, 2015**

(51) **LOC (10) Cl.** **30-03**

(52) **U.S. Cl.**
USPC **D30/199**

(58) **Field of Classification Search**

USPC D30/199, 119, 160, 108, 118, 158, 161;
119/843, 849, 847, 706-711, 28.5,
119/165, 702, 485, 498; D25/63, 65, 62;
182/1, 20, 200, 33, 107, 230, 129, 106,
182/93, 95, 115, 113, 151, 35; 248/188.2;
52/182, 184, 188, 190; 114/362;
14/71.1, 69.5; 193/2 R, 33;
D6/349-350; D12/203; 280/166;
296/156; 105/443, 447, 448; 297/118
CPC A01K 1/035; E04F 11/066; E04F 11/062;
E04F 11/06; E04F 11/04; E04F 11/022;
E04F 11/0223; E04F 11/0226; E04F 11/035;
E04F 2011/0203-2011/0209; E04F 2011/0218;
E06C 1/383; E06C 1/3835; E06C 1/387;
E06C 1/00; E06C 1/005; E06C 1/04; E06C
1/12; E06C 1/14; E06C 1/16; E06C 1/30;
E06C 1/38; E06C 1/381; B60R 3/007; B60R
3/02

See application file for complete search history.

(56) **References Cited**

U.S. PATENT DOCUMENTS

2,861,731 A * 11/1958 Robinson E04F 11/06
182/106
3,207,260 A * 9/1965 Castagna E06C 7/182
182/106
3,283,853 A * 11/1966 Brophy E06C 1/20
182/152
3,346,317 A * 10/1967 Peggs A47F 5/108
108/100
D340,587 S * 10/1993 Spencer D25/65
D382,676 S 8/1997 Holbrook
5,870,788 A 2/1999 Witkin
5,878,802 A * 3/1999 Richter A47G 5/00
160/135
6,119,634 A 9/2000 Myrick
6,267,082 B1 7/2001 Naragon et al.

(Continued)

Primary Examiner — Susan Moon Lee

(74) *Attorney, Agent, or Firm* — Volpe and Koenig, P.C.

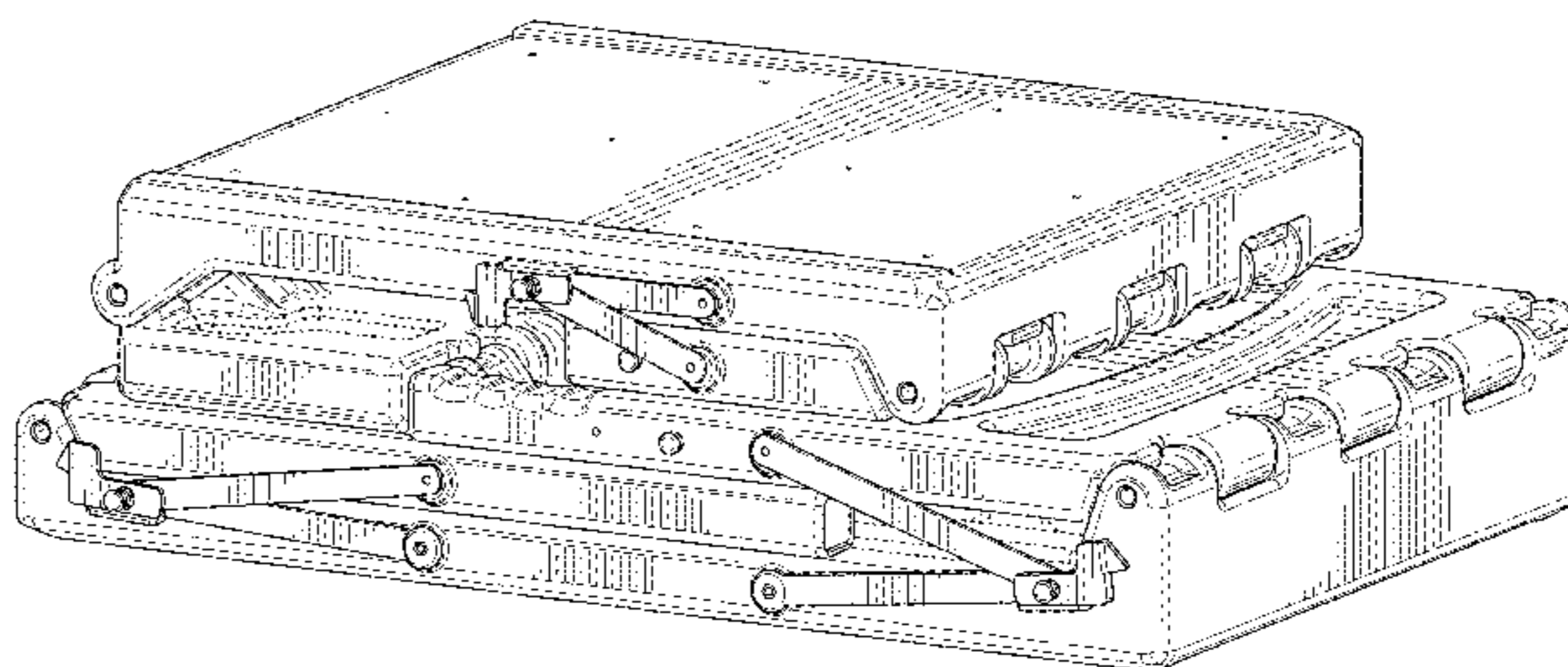
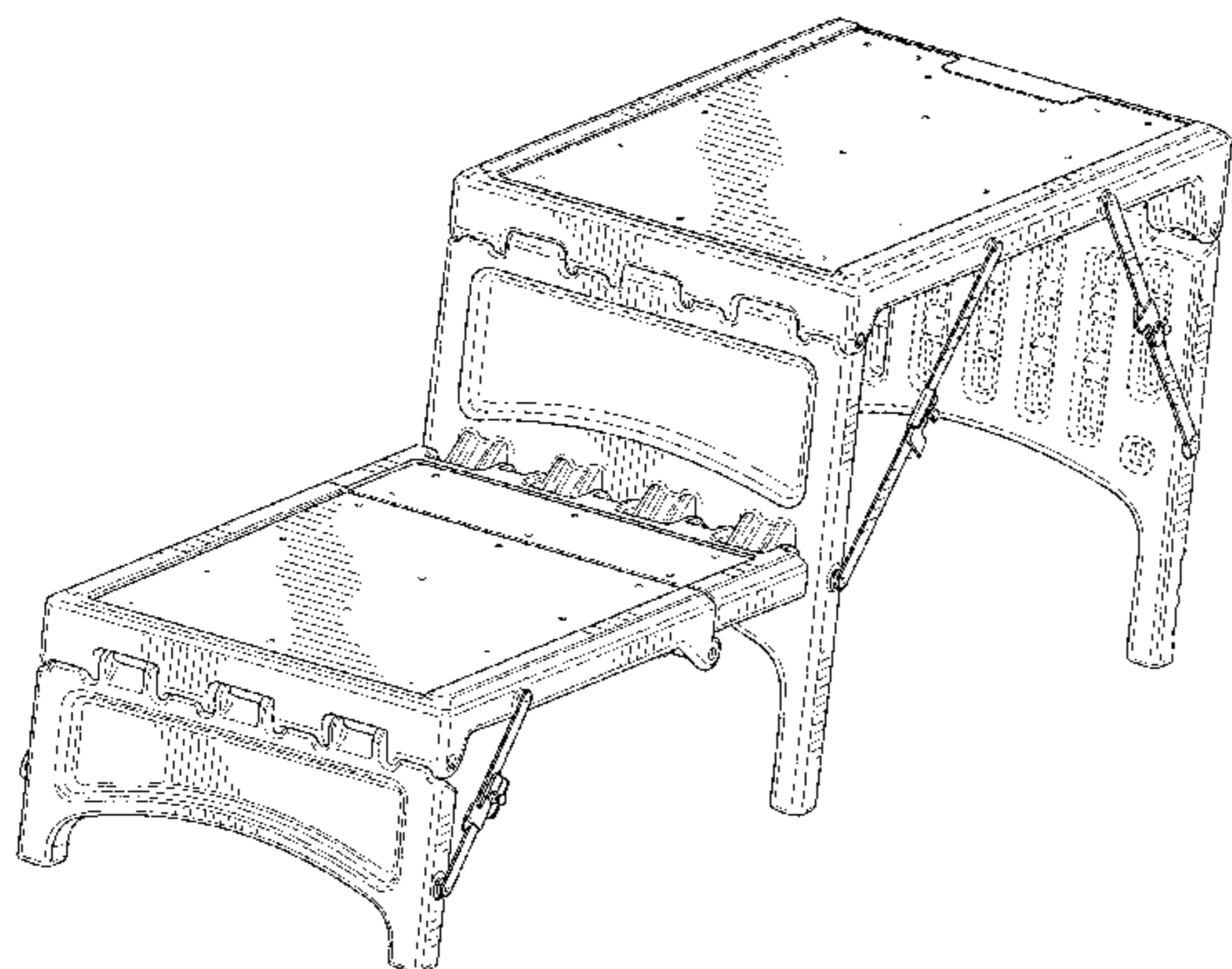
(57) **CLAIM**

We claim the ornamental design for foldable pet steps, as shown and described.

DESCRIPTION

FIG. 1 is a top, front, right perspective view of foldable pet steps in accordance with our design;
FIG. 2 is a bottom, front, left perspective view thereof;
FIG. 3 is a bottom, rear, left perspective view thereof;
FIG. 4 is a top, rear, right perspective view thereof;
FIG. 5 is a front elevational view thereof;
FIG. 6 is a rear elevational view thereof;
FIG. 7 is a top plan view thereof;
FIG. 8 is a left side elevational view thereof;
FIG. 9 is a right side elevational view thereof;
FIG. 10 is a bottom view thereof;
FIG. 11 is a sectional view taken along XI-XI;
FIG. 12 is a sectional view taken along XII-XII;
FIG. 13 is a sectional view taken along XIII-XIII
FIG. 14 is a sectional view taken along XIV-XIV; and,
FIG. 15 is a perspective view showing the foldable pet steps of FIGS. 1-14 in a folded position.
Broken lines and unshaded portions contained within broken lines are not claimed.

1 Claim, 13 Drawing Sheets



(56)

References Cited

U.S. PATENT DOCUMENTS

D460,566 S *	7/2002	Henschel	D25/65	8,104,578 B2	1/2012	Moldthan et al.	
6,430,769 B1	8/2002	Allen		8,272,477 B1	9/2012	Hudspeth et al.	
6,928,959 B1	8/2005	Trauernicht et al.		8,359,691 B2	1/2013	Morris et al.	
7,237,294 B2	7/2007	Lensing		8,453,795 B2	6/2013	Lee et al.	
7,526,826 B2	5/2009	Bailie		8,899,188 B1	12/2014	Douglas et al.	
7,621,236 B2	11/2009	Steffey et al.		2006/0150346 A1	7/2006	Myrick et al.	
D615,667 S *	5/2010	Dunn	D25/65	2008/0302312 A1 *	12/2008	Steffey	A01K 1/035 119/849
7,735,457 B2 *	6/2010	O'Connor	E06C 9/00 119/753	2009/0188444 A1 *	7/2009	Whalen	A01K 1/035 119/849
7,766,357 B2	8/2010	Arvanites		2011/0114419 A1 *	5/2011	Merey	E06C 1/26 182/152
8,091,294 B2	1/2012	Whalen		2014/0123910 A1 *	5/2014	Rorke	A01K 1/035 119/849

* cited by examiner

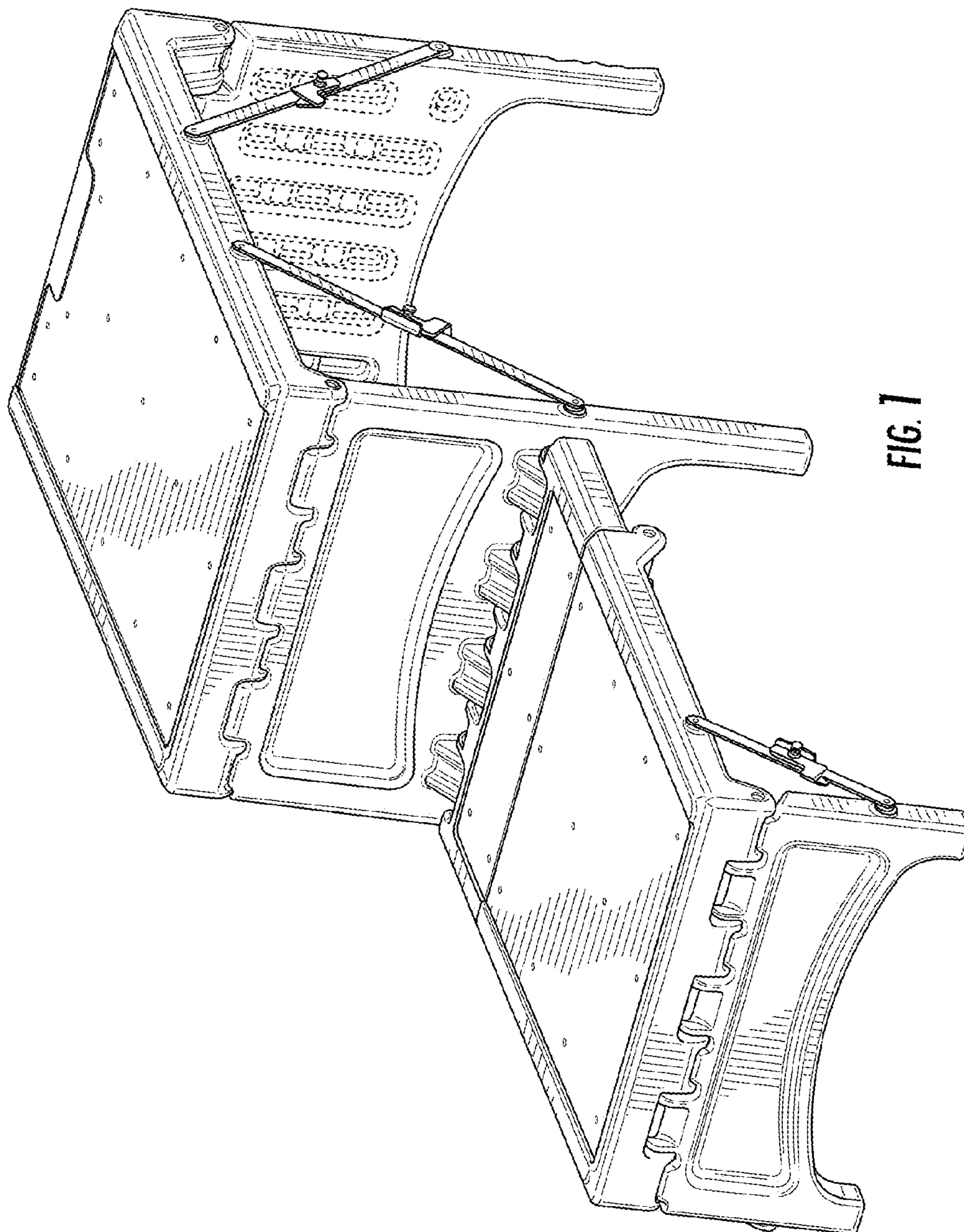


FIG. 1

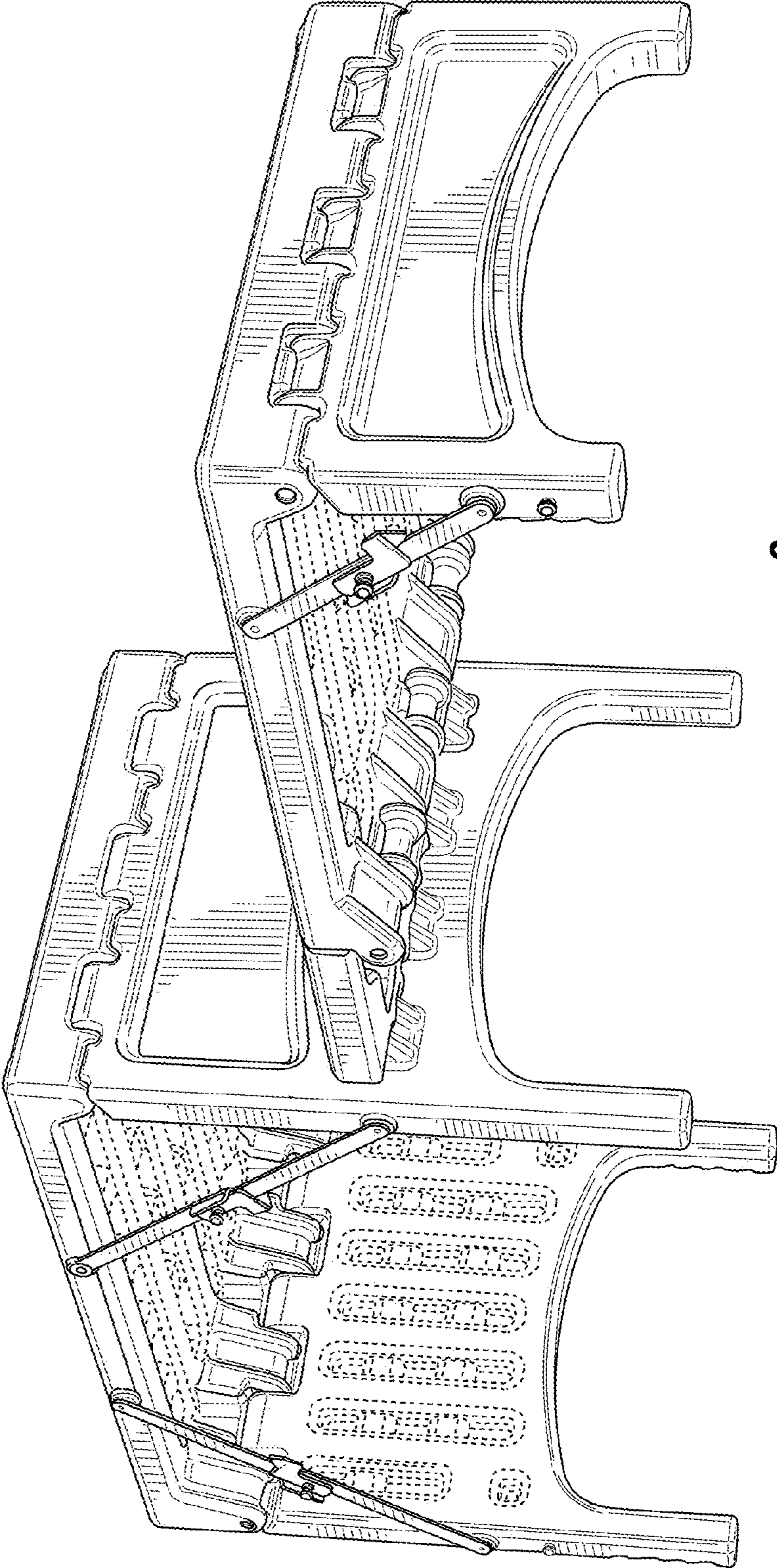


FIG. 2

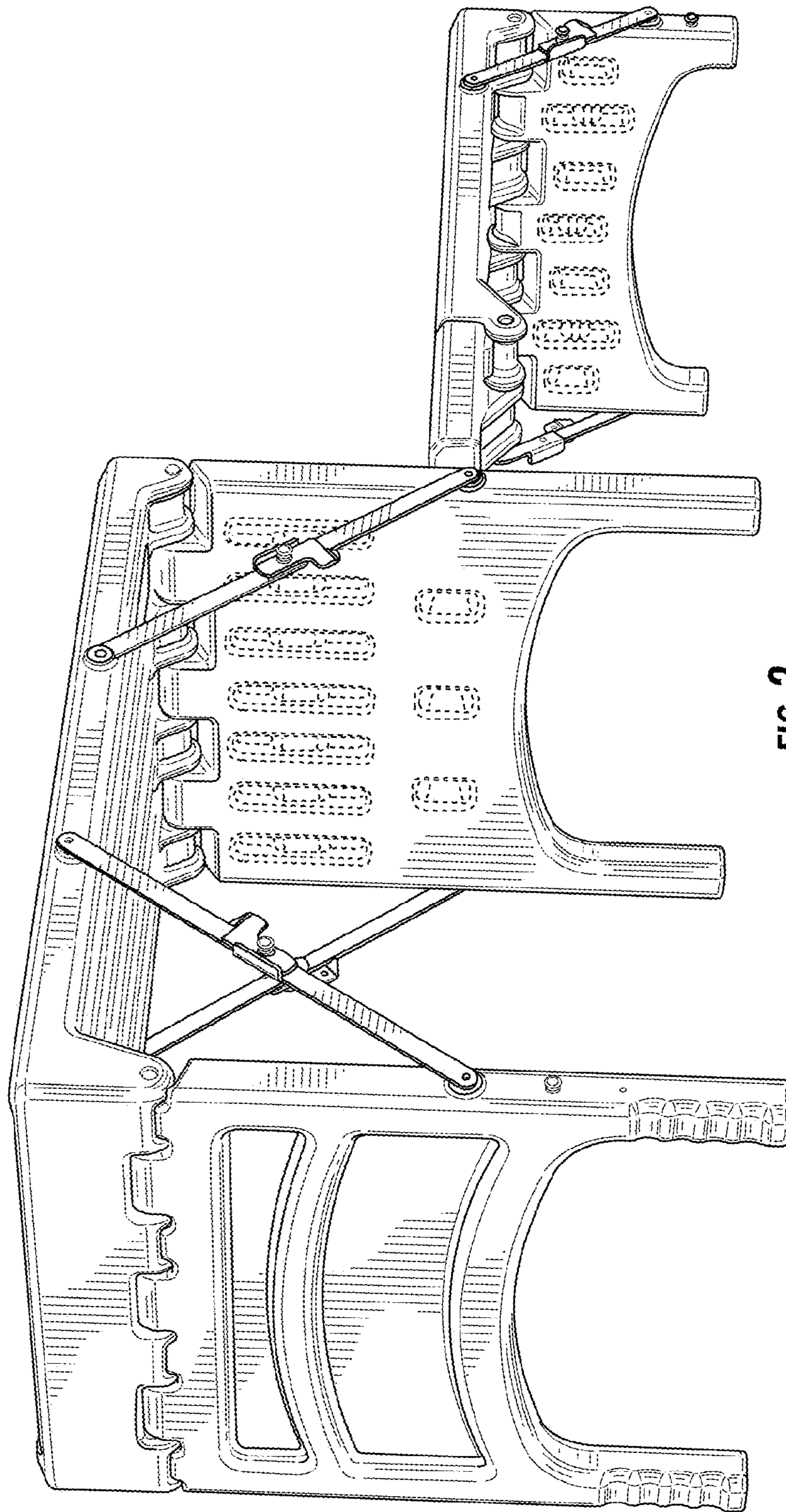


FIG. 3

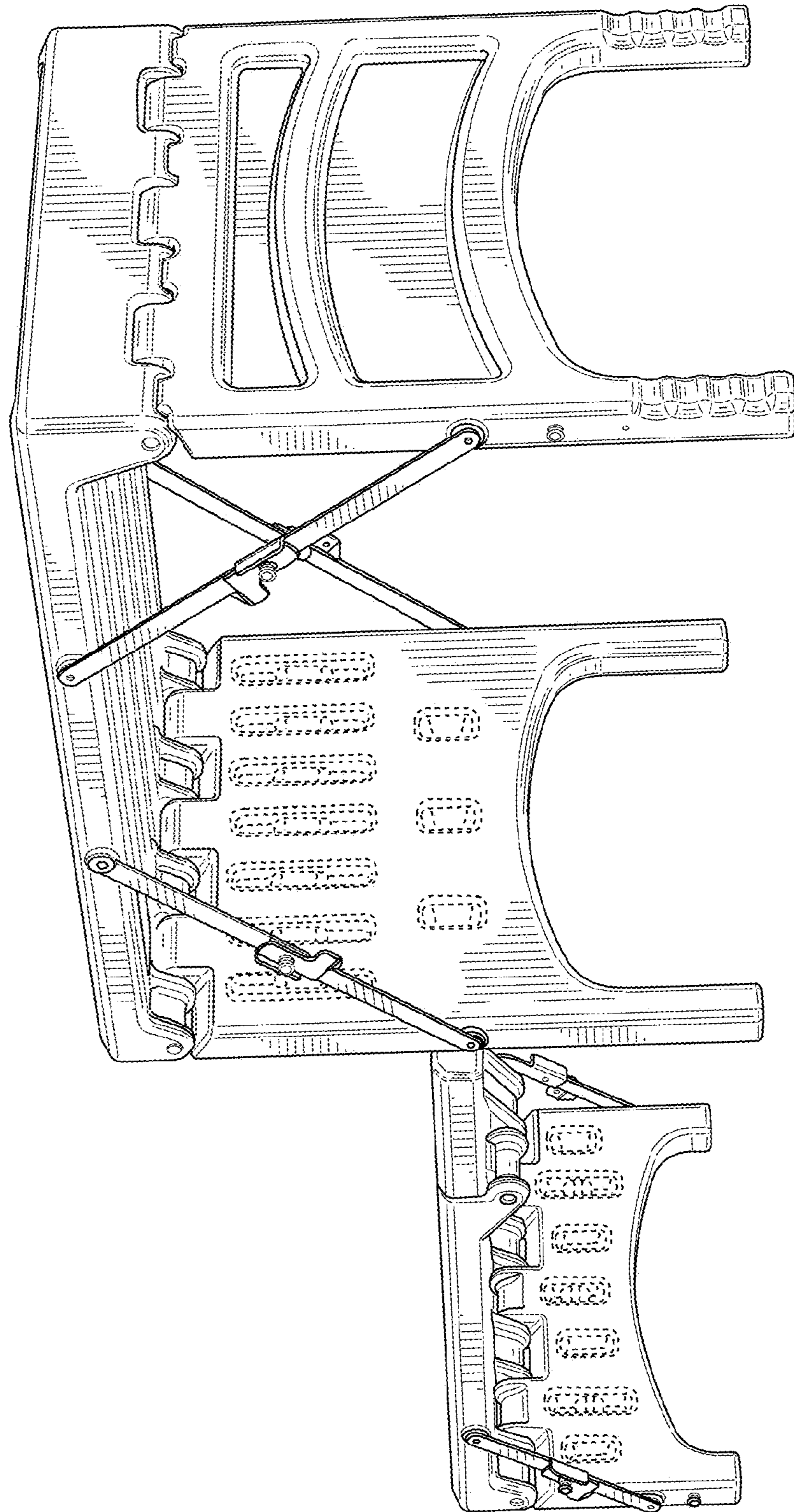


FIG. 4

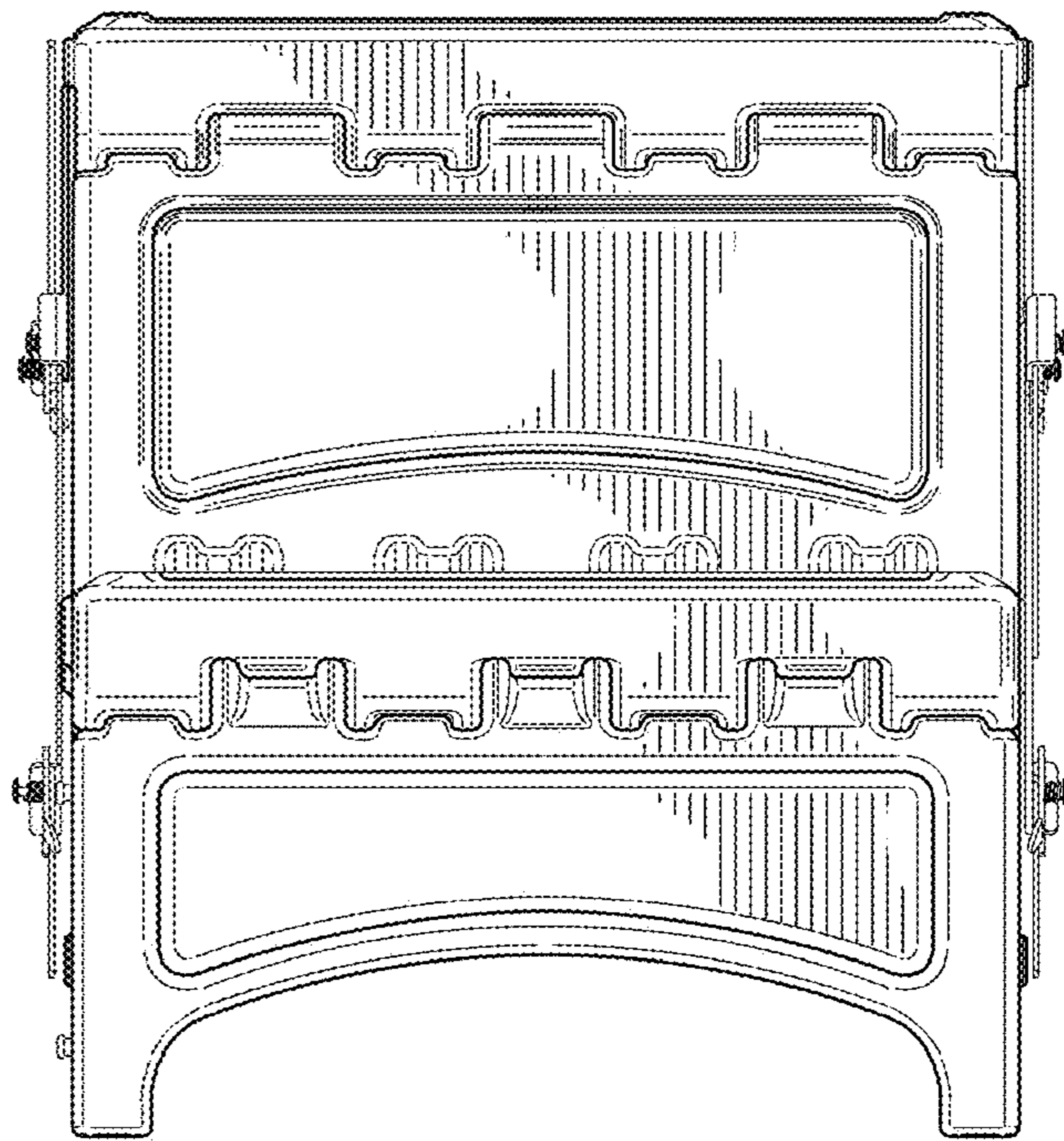


FIG. 5

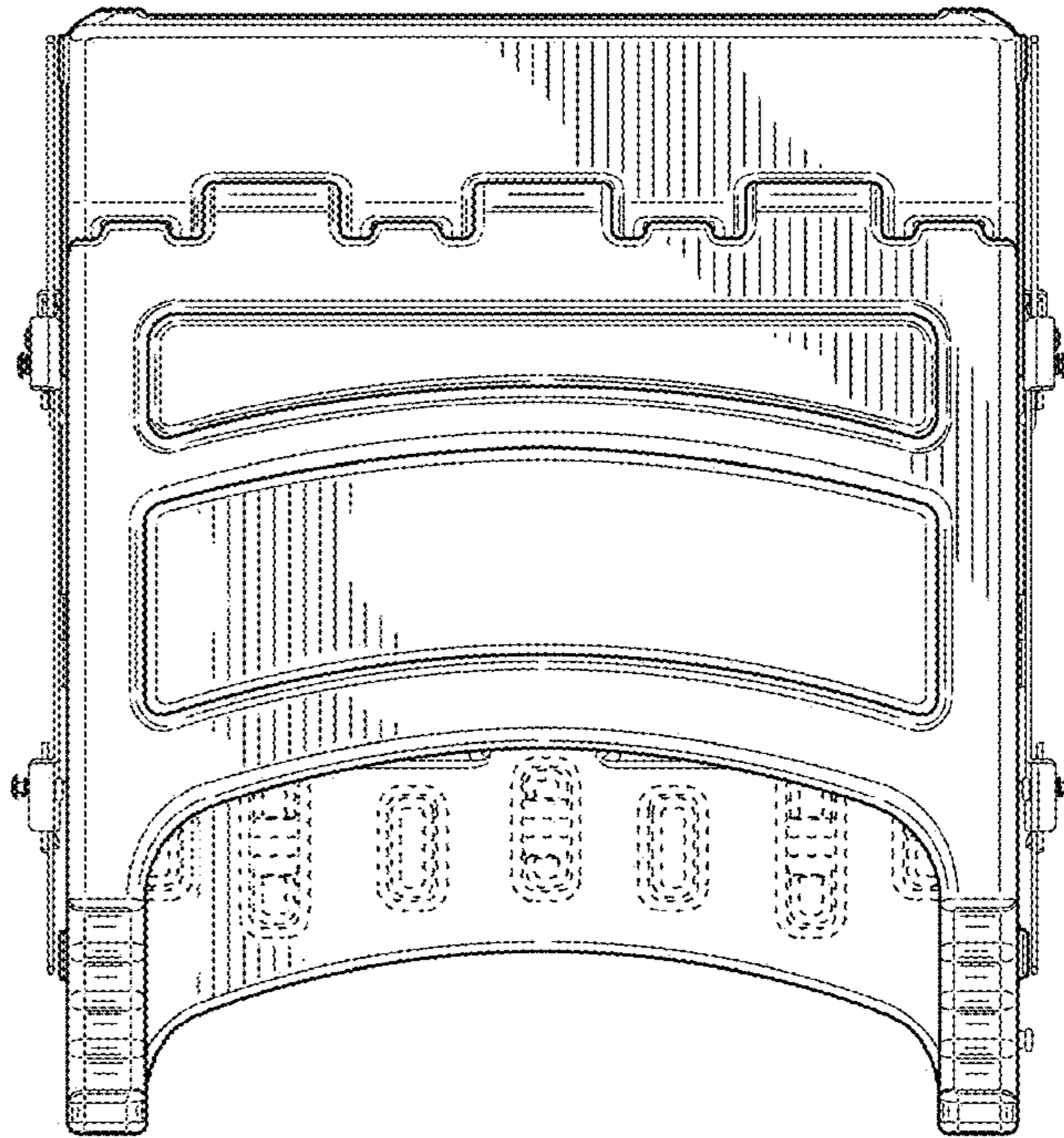


FIG. 6

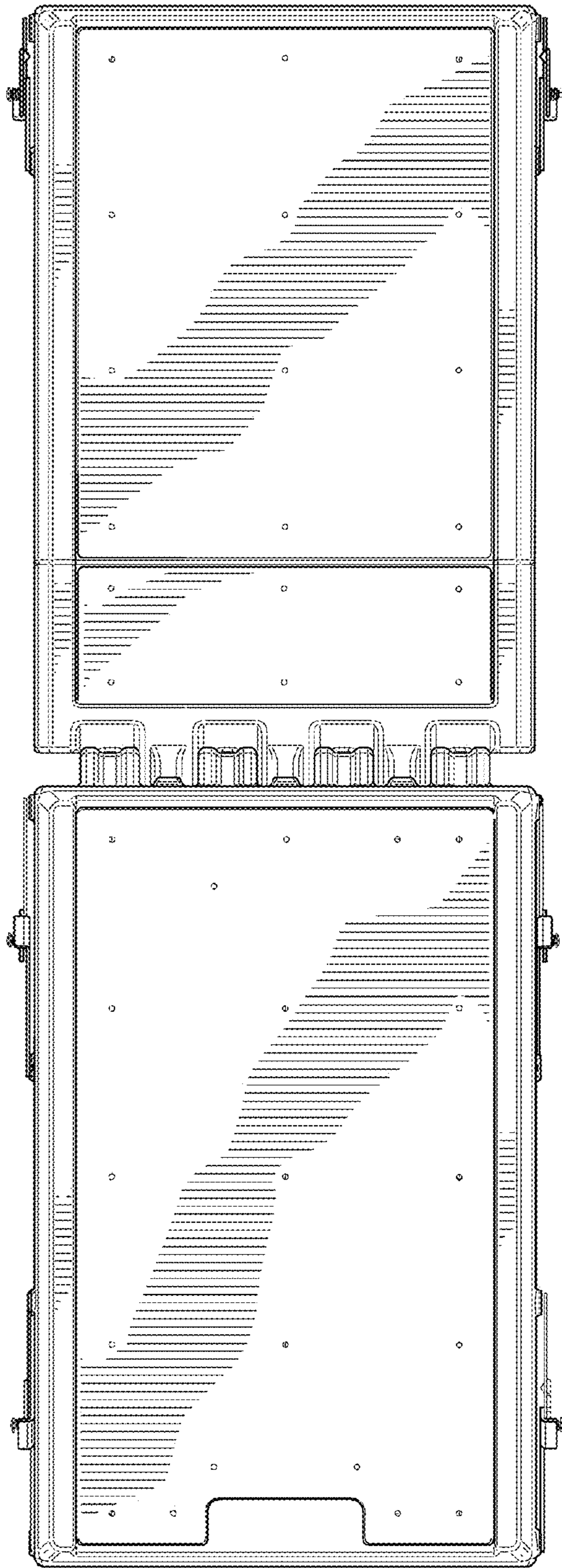


FIG. 7

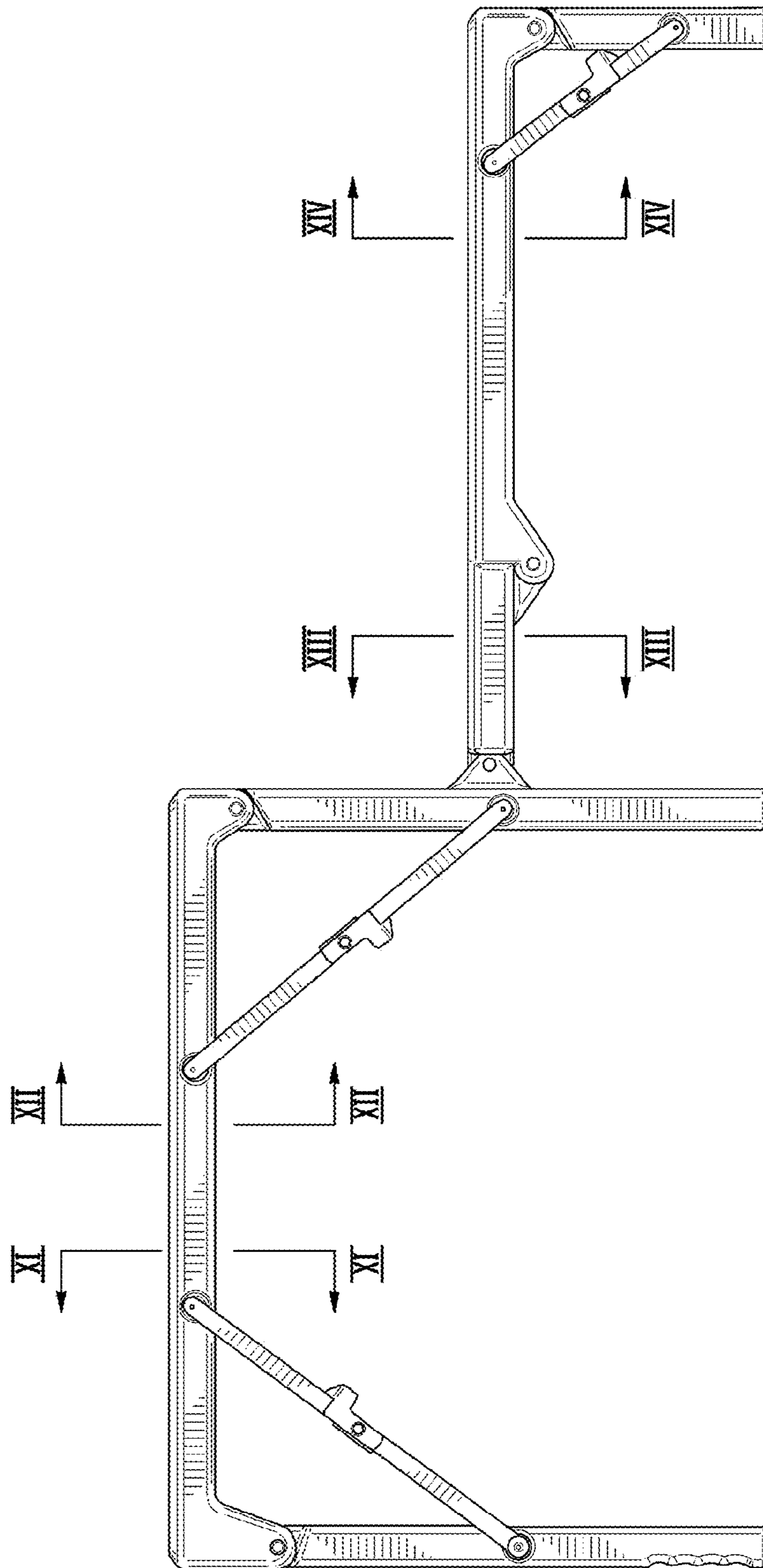


FIG. 8

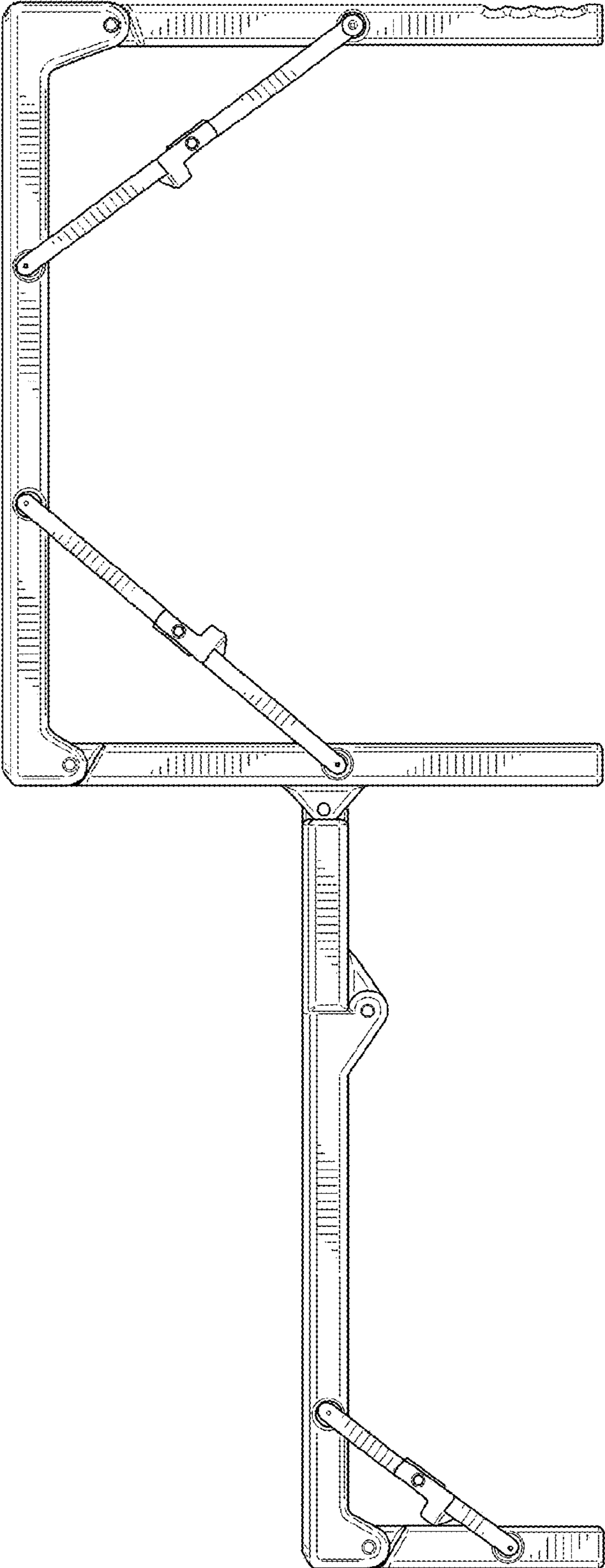


FIG. 9

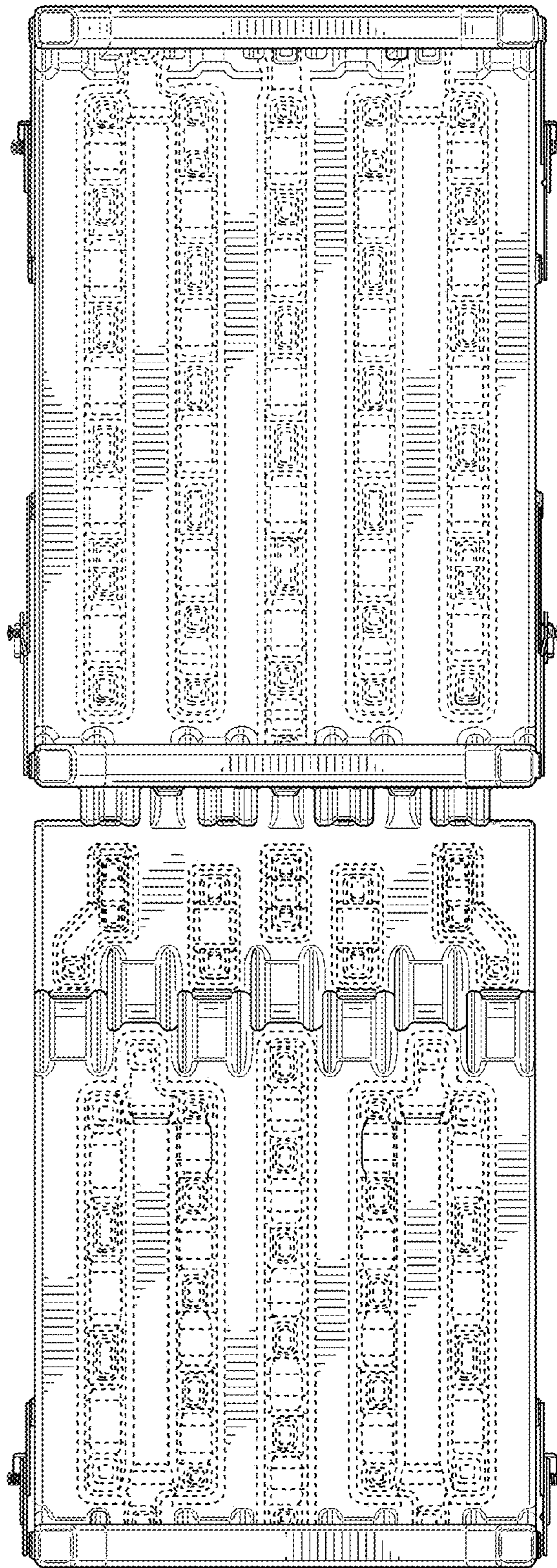


FIG. 10

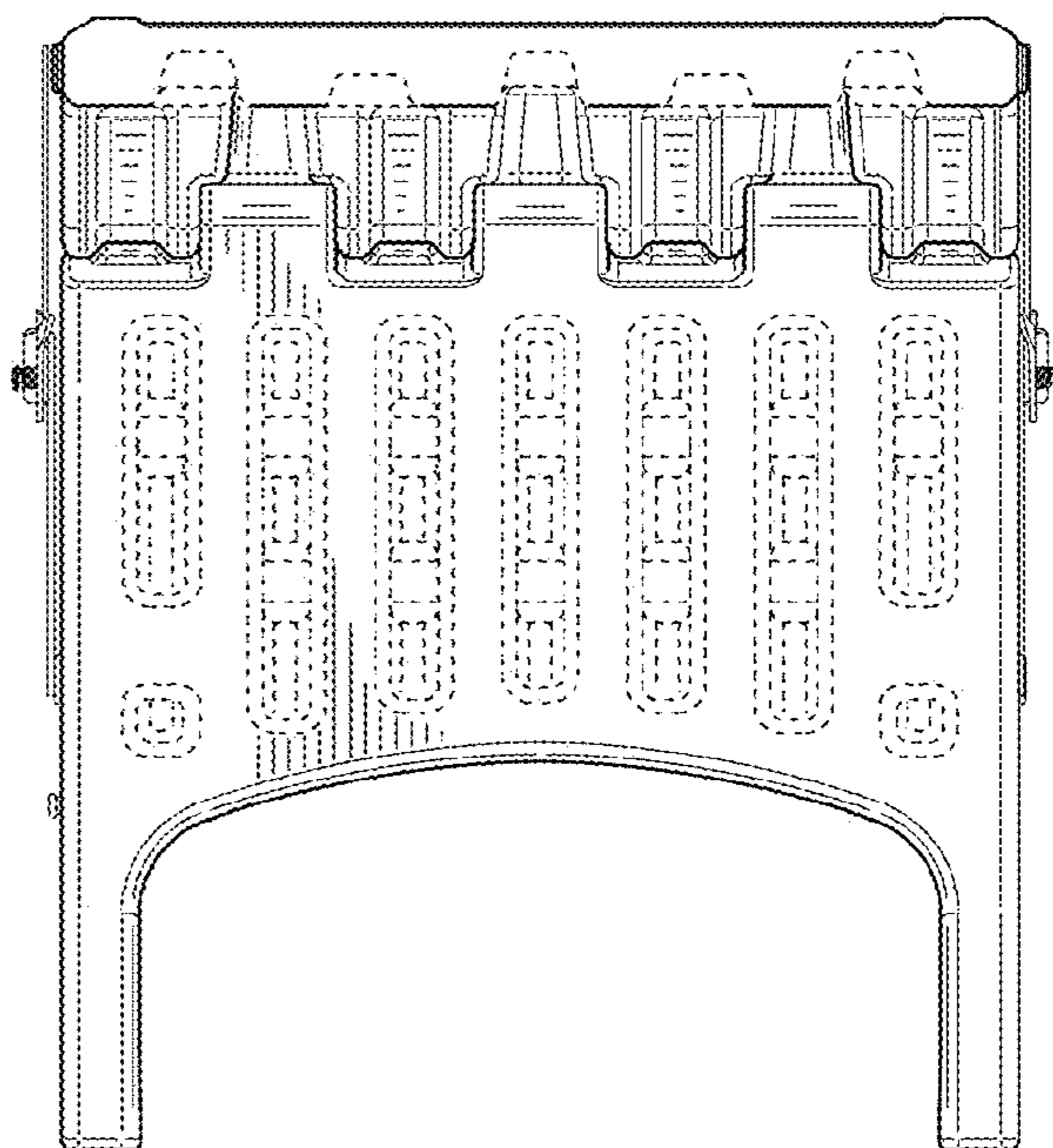


FIG. 11

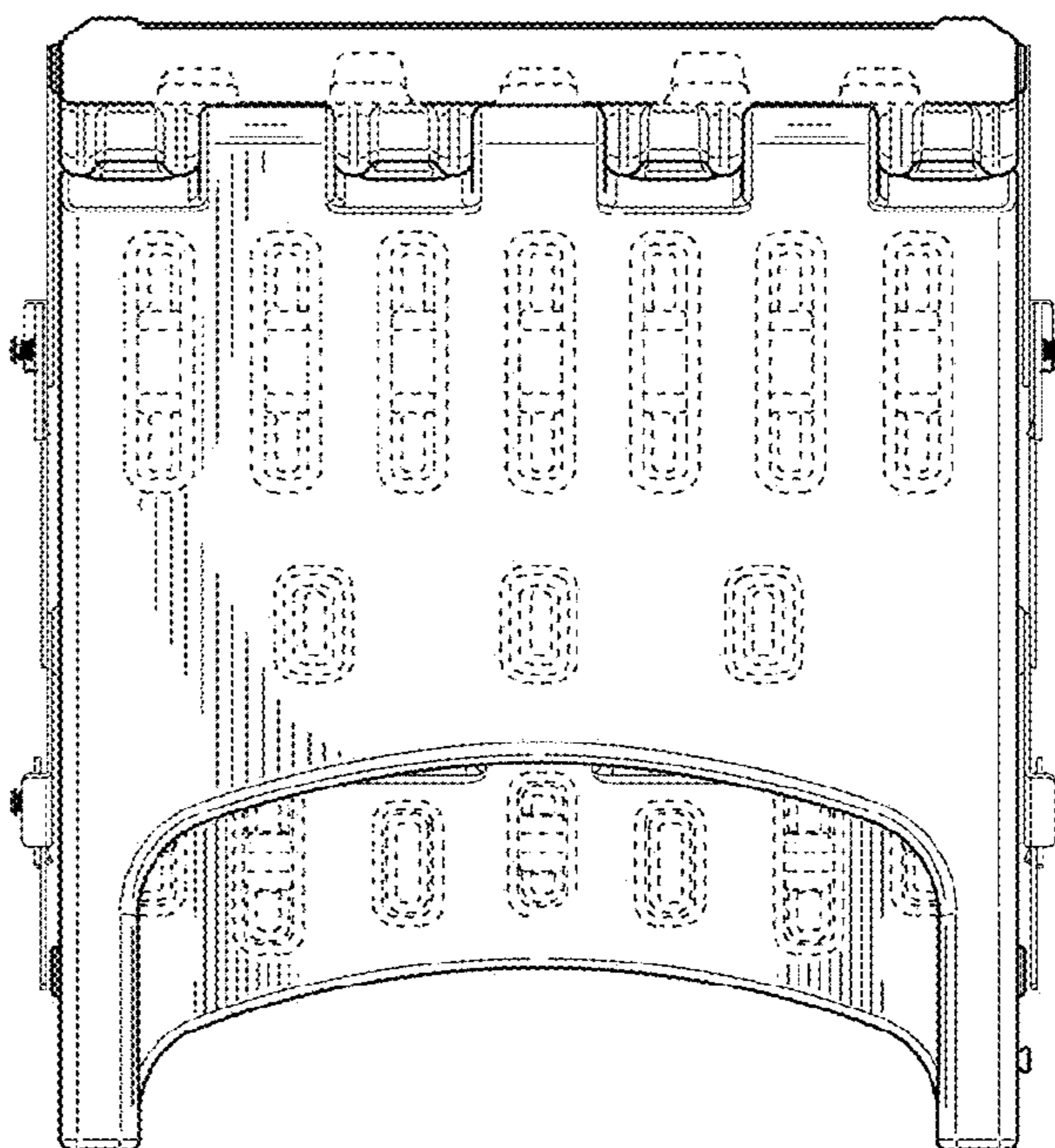


FIG. 12

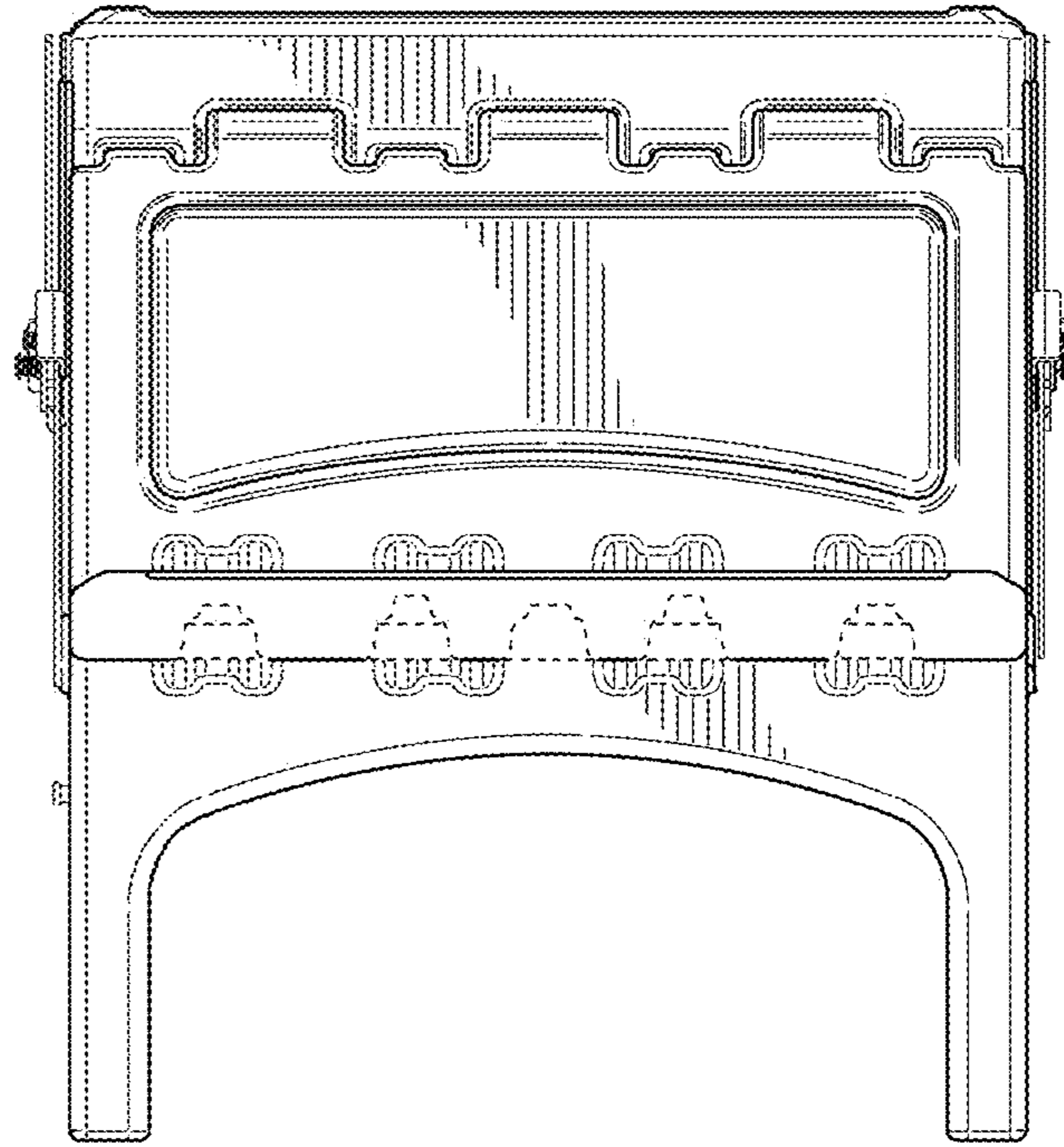


FIG. 13

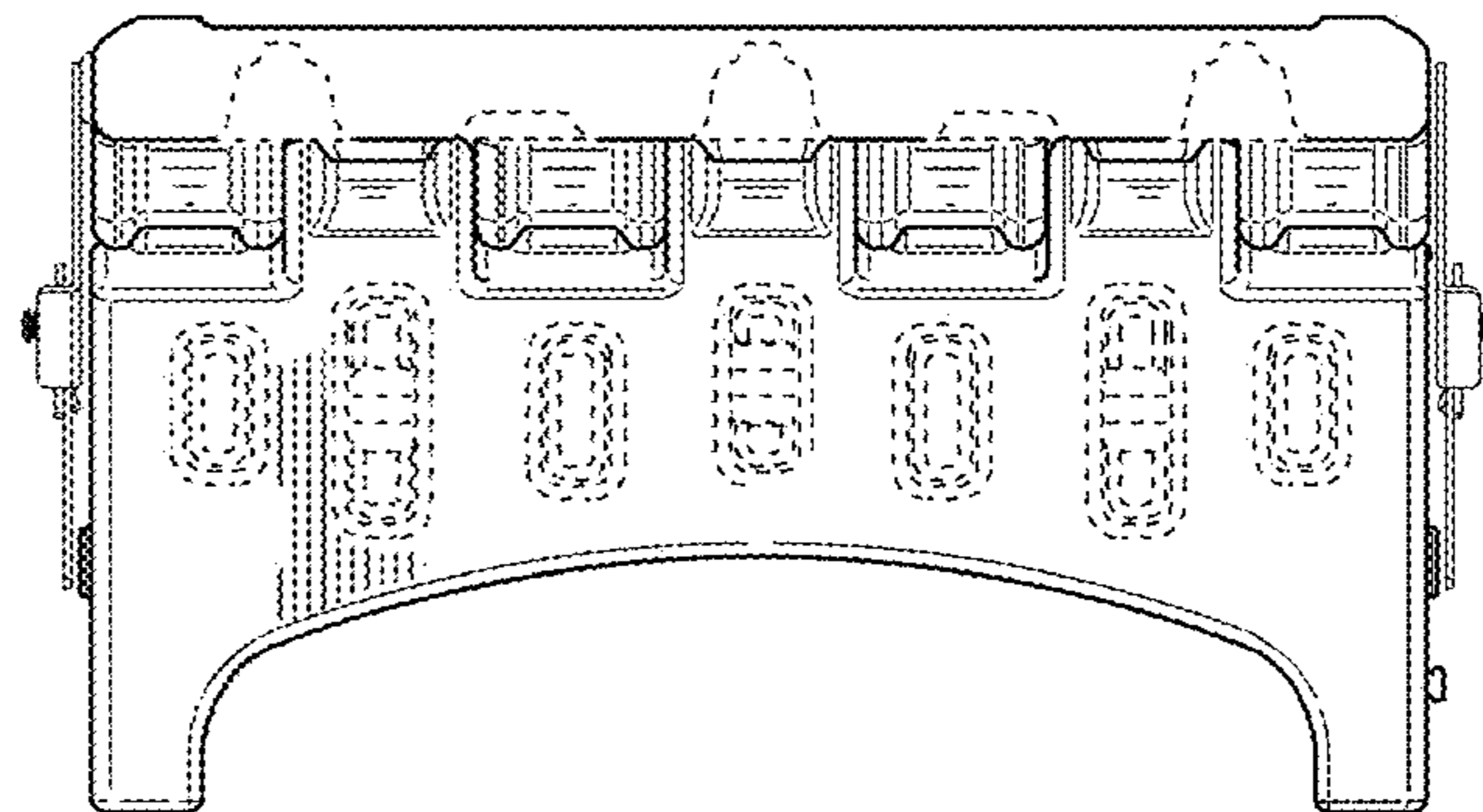


FIG. 14

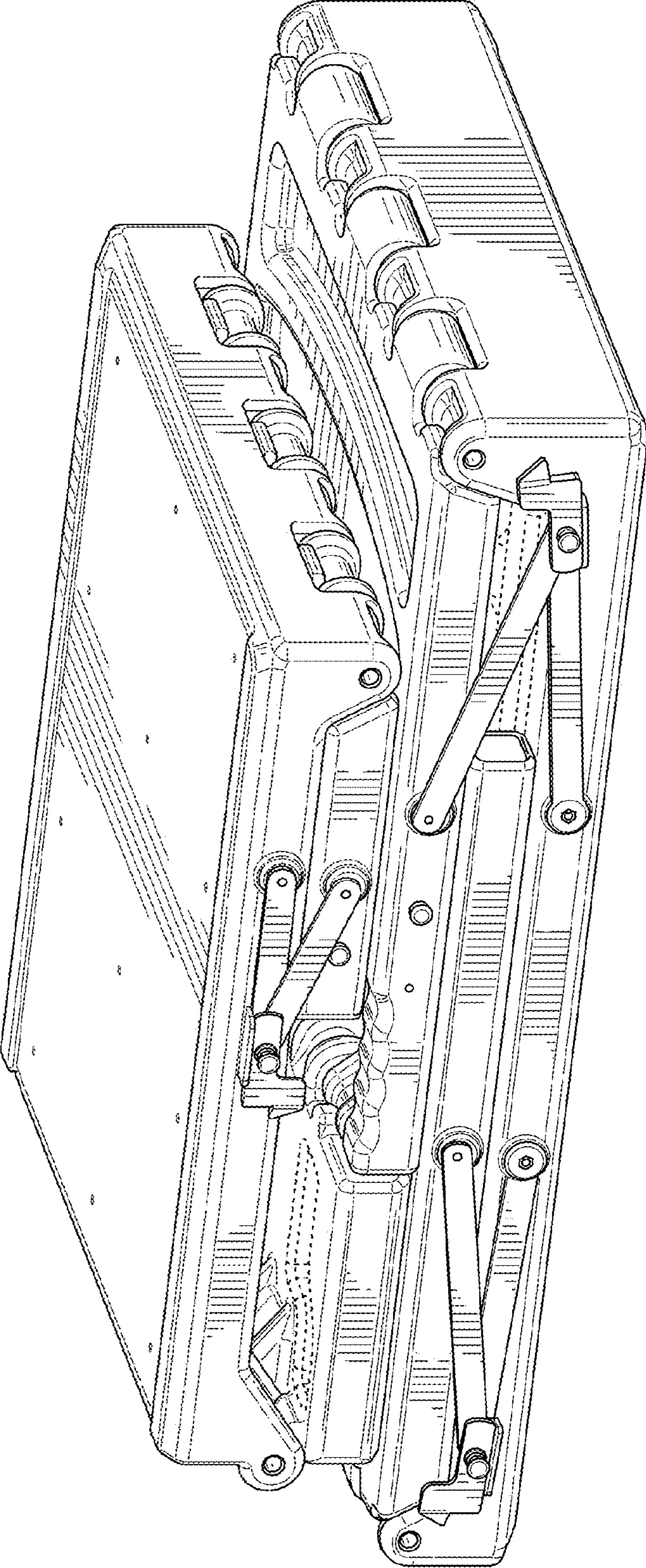


FIG. 15