



US00D756573S

(12) **United States Design Patent**
Jakubowski et al.

(10) **Patent No.:** **US D756,573 S**
(45) **Date of Patent:** **** May 17, 2016**

(54) **PET RAMP WITH REFLECTIVE MARKINGS**

(71) Applicant: **Vermont Juvenile Furniture Mfg., Inc.,**
West Rutland, VT (US)

(72) Inventors: **Chris Jakubowski, Rutland, VT (US);**
Todd Jakubowski, Rutland, VT (US)

(73) Assignee: **Vermont Juvenile Furniture Mfg., Inc.,**
West Rutland, VT (US)

(**) Term: **14 Years**

(21) Appl. No.: **29/515,235**

(22) Filed: **Jan. 21, 2015**

Related U.S. Application Data

(62) Division of application No. 29/486,522, filed on Mar. 31, 2014, now Pat. No. Des. 729,462.

(51) **LOC (10) CL.** **30-99**

(52) **U.S. CL.**
USPC **D30/199; D34/32**

(58) **Field of Classification Search**
USPC D30/119, 199; D34/32; D29/101.1
CPC A01K 1/02; A01K 1/035; A01K 1/0272;
A01K 29/00; A61G 3/061; E04F 11/00;
E04F 11/002; D04F 2011/007; E04G 27/00;
B60P 1/43; B60P 1/431; B62D 63/061;
B65G 69/28; B65G 69/30

See application file for complete search history.

(56) **References Cited**

U.S. PATENT DOCUMENTS

963,918 A 7/1910 Miller
3,511,393 A * 5/1970 Abromavage B60P 1/431
14/71.1
D300,073 S 2/1989 Crump
5,237,448 A 8/1993 Spencer et al.
D382,676 S 8/1997 Holbrook
D412,224 S 7/1999 Adler

D420,175 S 2/2000 Garrels, Jr.
6,267,082 B1 7/2001 Naragon et al.
6,378,927 B1 4/2002 Parry-Jones et al.
6,536,064 B1 3/2003 Swink et al.
6,715,177 B1 4/2004 Lagergren-Julander
6,820,280 B1 11/2004 Atallah et al.
7,237,294 B2 7/2007 Lensing
D599,062 S 8/2009 Jakubowski et al.
D617,972 S * 6/2010 Lucht D34/32
8,117,994 B1 2/2012 Goodlow
D706,513 S * 6/2014 LaBarbera D34/32
D729,462 S * 5/2015 Jakubowski D30/199
D736,484 S * 8/2015 Jakubowski D30/199
D736,485 S * 8/2015 Jakubowski D30/199
2005/0057942 A1 3/2005 Mako et al.
2006/0104773 A1 * 5/2006 Koretsky A61G 3/061
414/537
2008/0105215 A1 5/2008 Simpson et al.
2008/0302312 A1 12/2008 Steffey et al.
2009/0300859 A1 12/2009 Lucht
2010/0032918 A1 * 2/2010 Chamoun B62D 63/061
280/30

* cited by examiner

Primary Examiner — Martie K Holtje

(74) *Attorney, Agent, or Firm* — Volpe and Koenig, P.C.

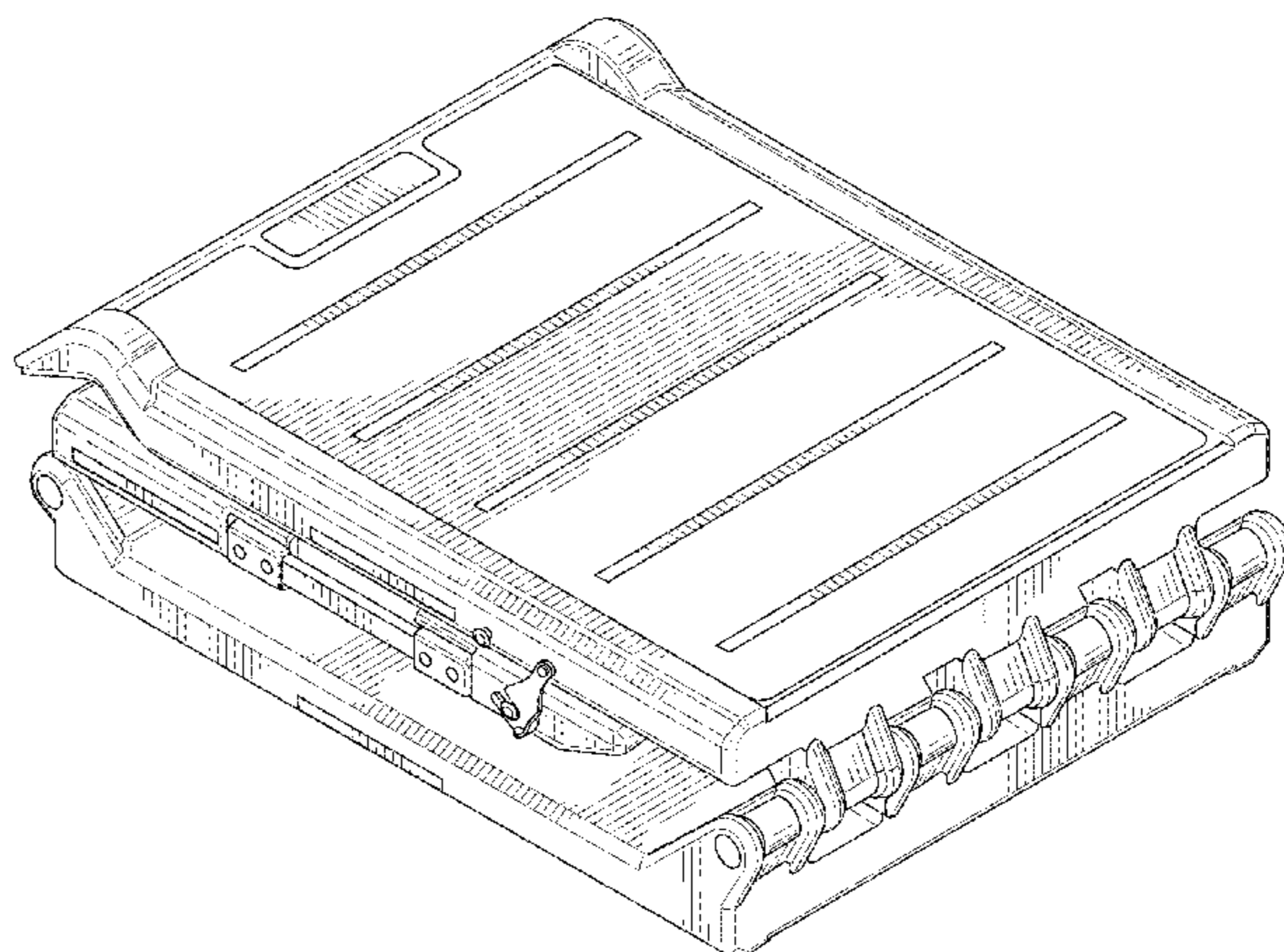
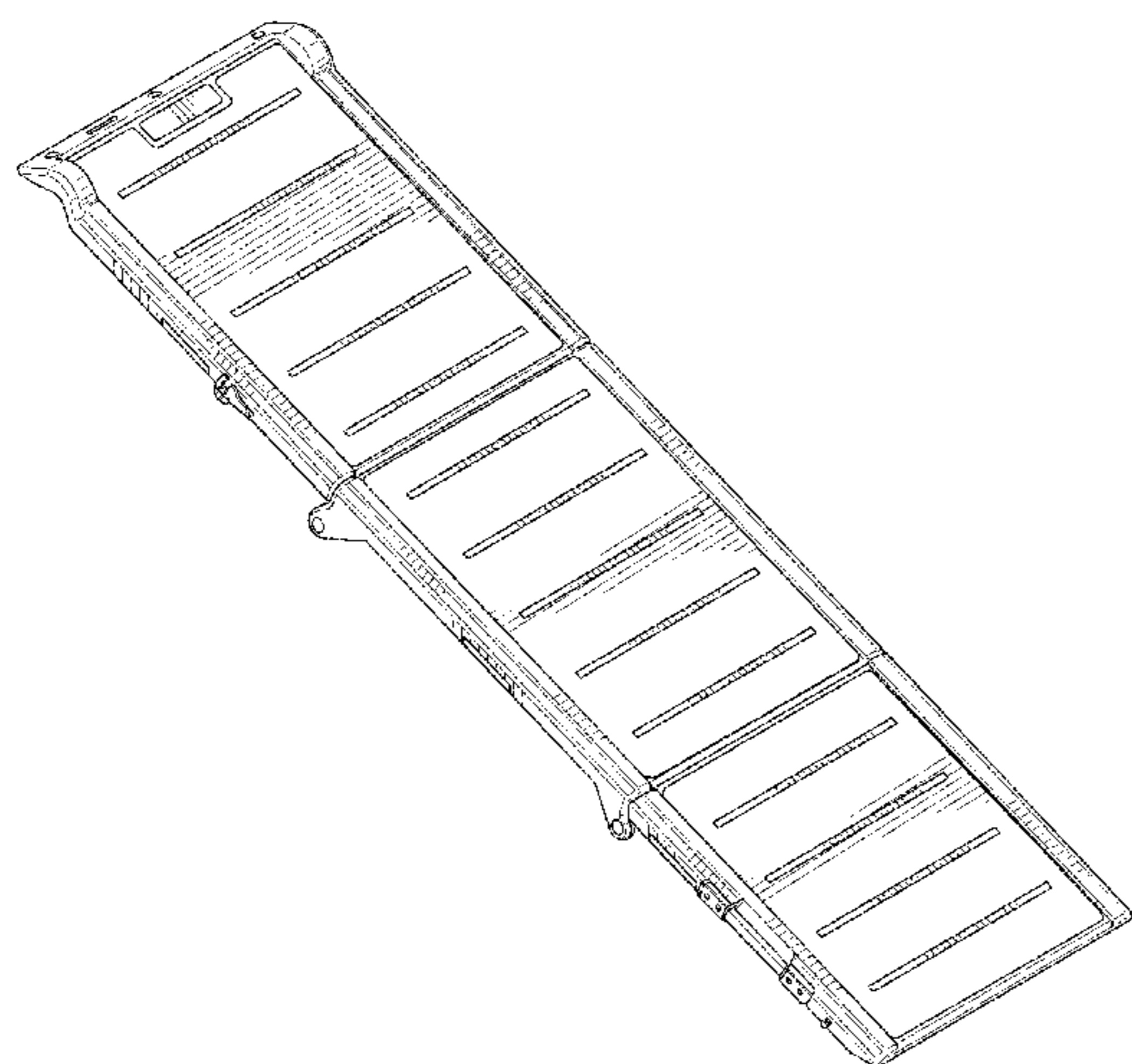
(57) **CLAIM**

The ornamental design for a pet ramp with reflective markings, as shown and described.

DESCRIPTION

FIG. 1 is a top, front perspective view of a pet ramp with reflective markings in accordance with our design; FIG. 2 is a front elevational view thereof; FIG. 3 is a rear elevational view thereof; FIG. 4 is a top plan view thereof; FIG. 5 is a left side elevational view thereof; FIG. 6 is a right side elevational view thereof; FIG. 7 is a bottom view thereof; and, FIG. 8 is a perspective view showing the pet ramp with reflective markings of FIGS. 1-7 in a folded position.

1 Claim, 4 Drawing Sheets



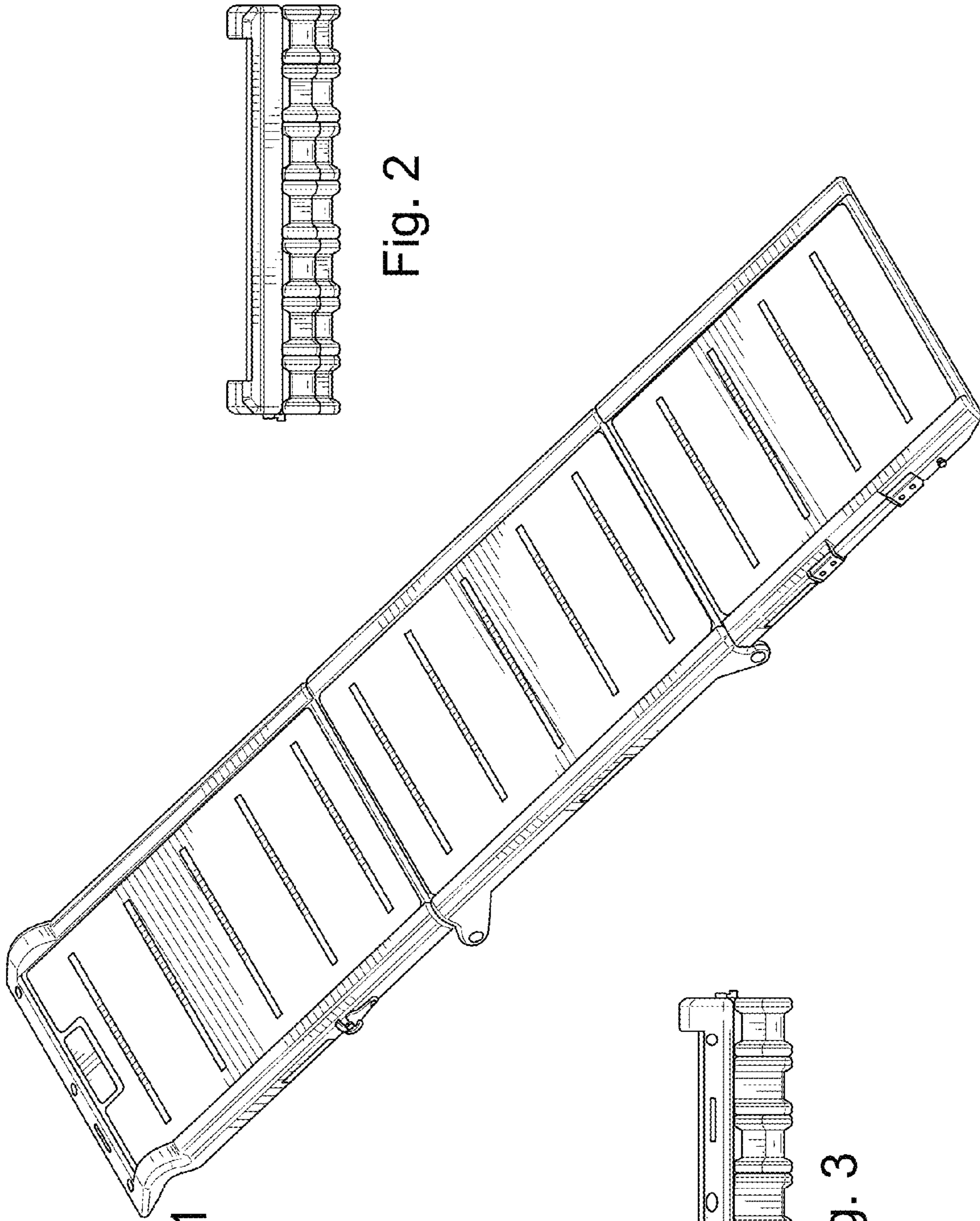


Fig. 1

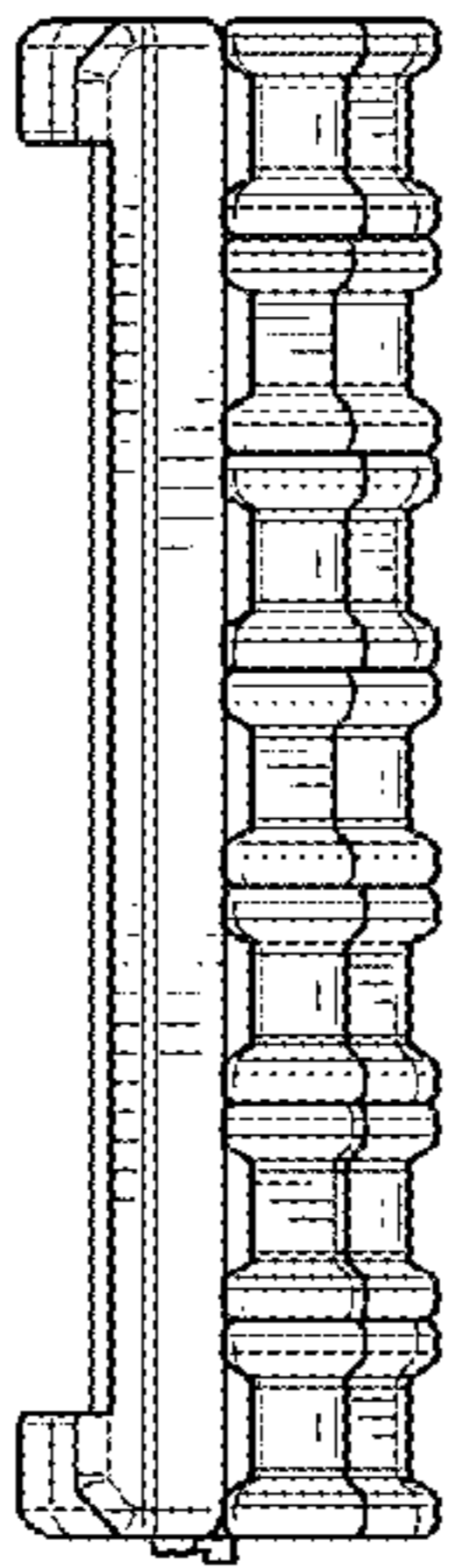


Fig. 2

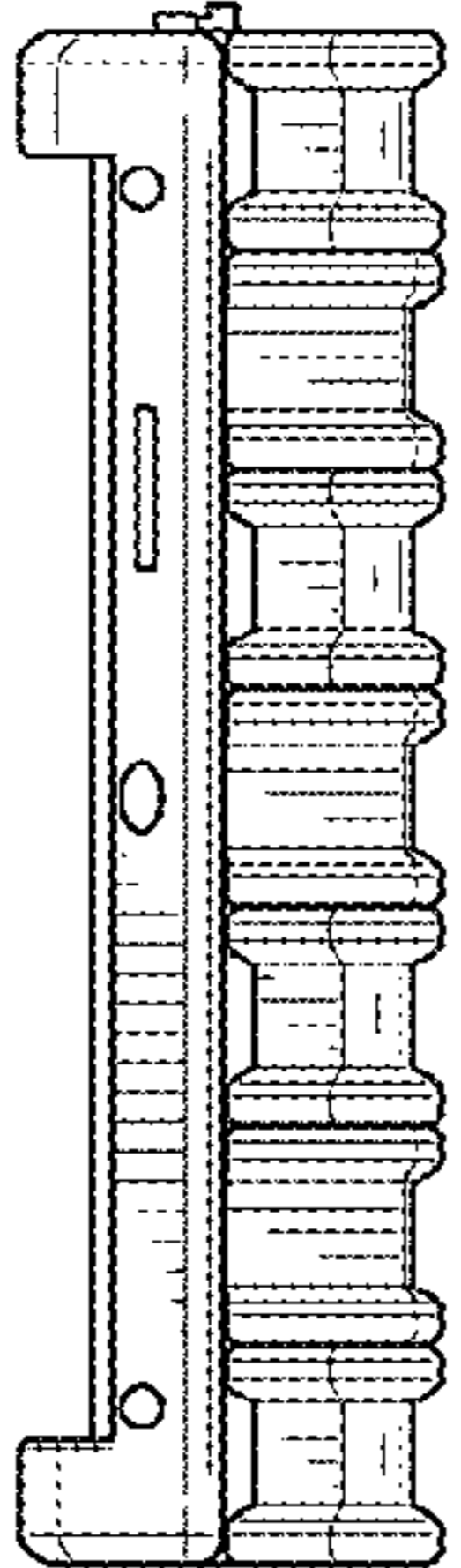


Fig. 3

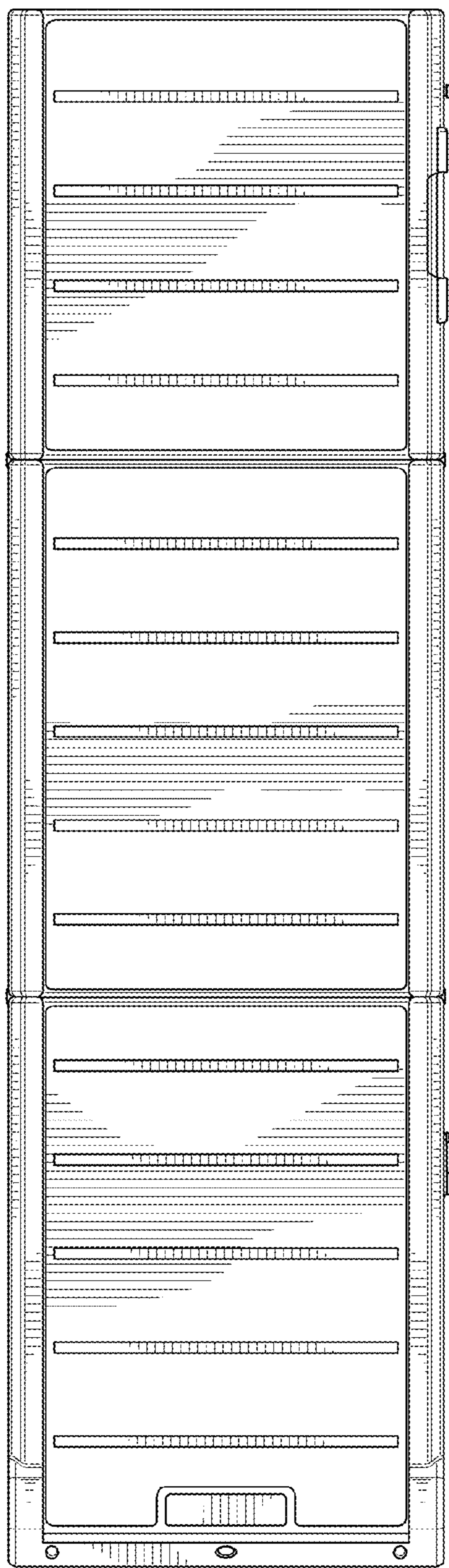


Fig. 4

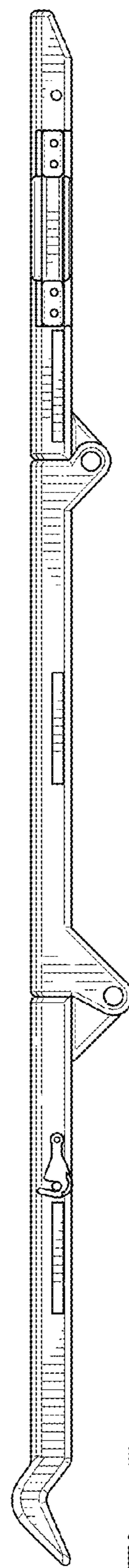


Fig. 5

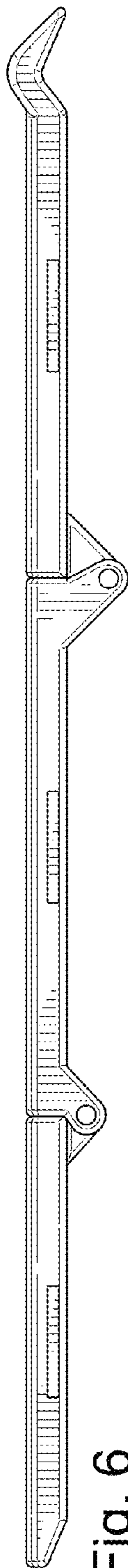


Fig. 6

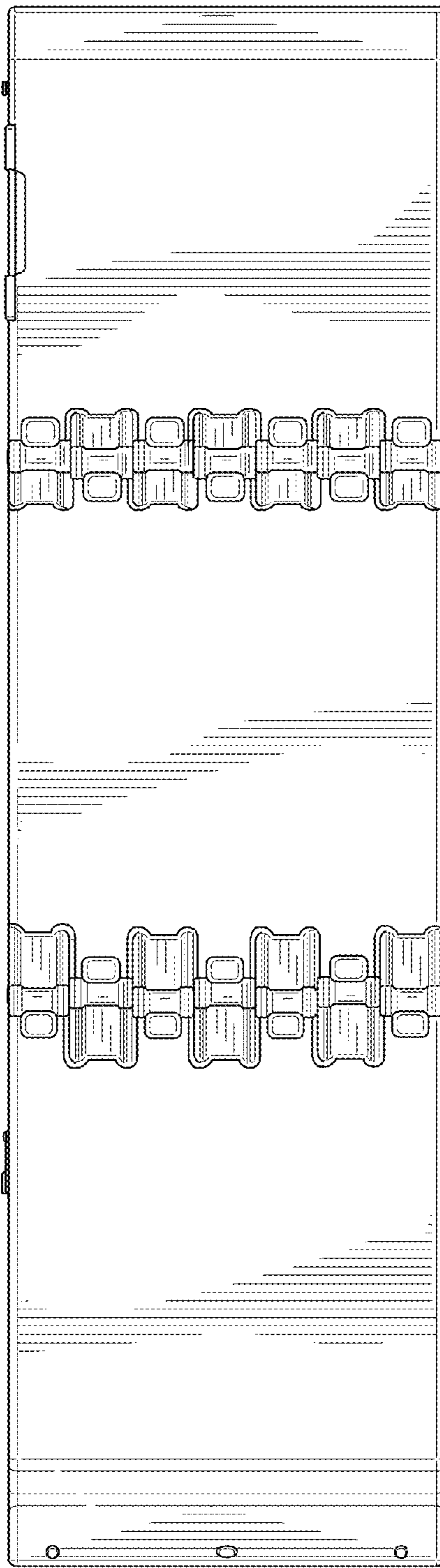


Fig. 7

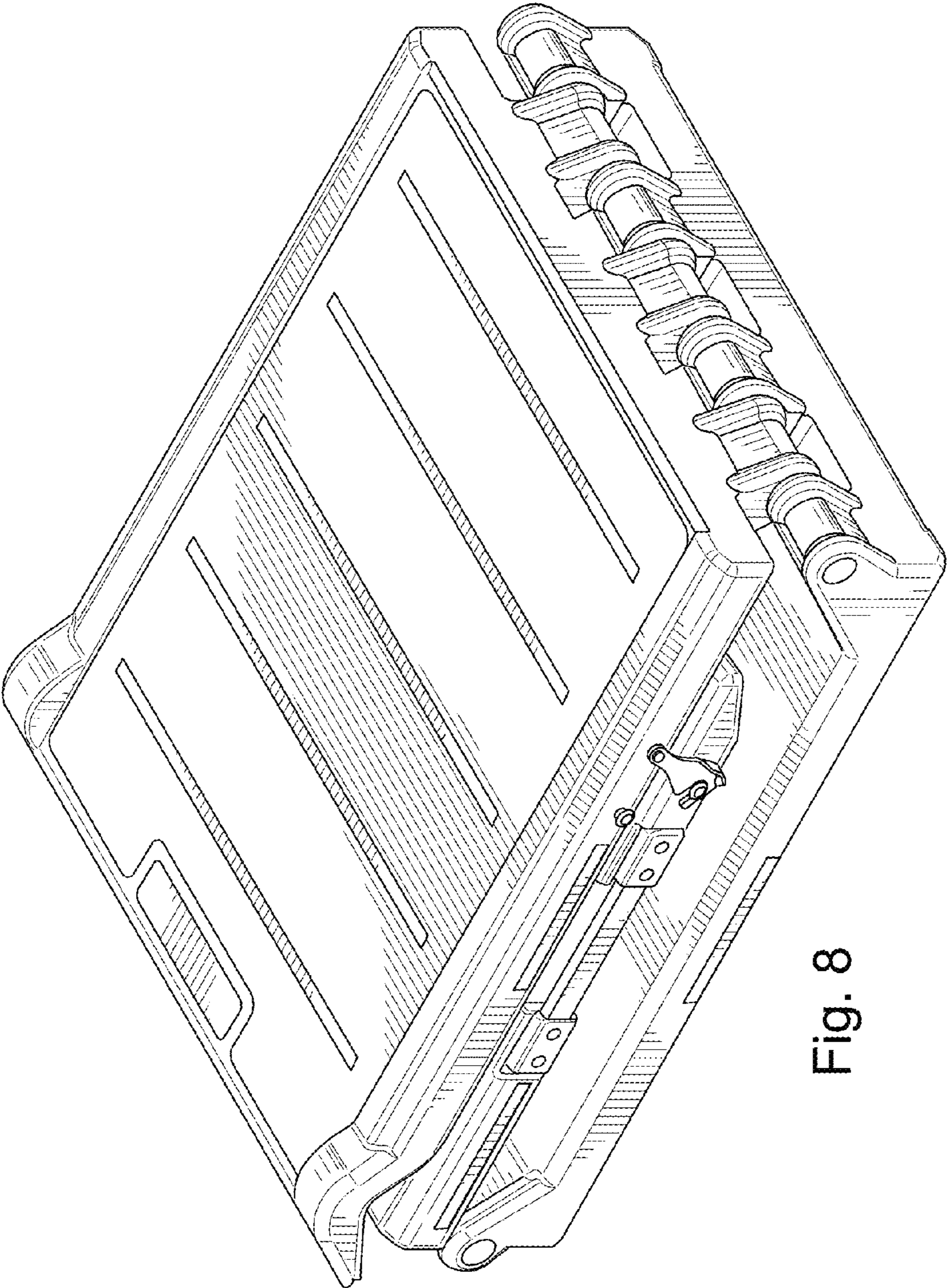


Fig. 8