



US00D756572S

(12) **United States Design Patent**
Baker

(10) **Patent No.:** **US D756,572 S**

(45) **Date of Patent:** **** May 17, 2016**

(54) **WASTE COLLECTION DEVICE**

(56) **References Cited**

(71) Applicant: **Cheryl Davidson Baker**, Grand Junction, CO (US)

U.S. PATENT DOCUMENTS

(72) Inventor: **Cheryl Davidson Baker**, Grand Junction, CO (US)

2,060,730	A *	11/1936	Gillespie	A63H 17/12 446/424
2,244,072	A *	6/1941	Ledbetter	A47G 21/10 294/25
D157,357	S *	2/1950	Fairchild	132/251
D158,343	S *	4/1950	Watson	D28/11
2,782,554	A *	2/1957	Muller	A63H 33/00 294/111
3,138,211	A *	6/1964	Blom	A01B 1/16 172/371
3,358,698	A *	12/1967	Blanchard	A45D 6/00 132/160
D210,860	S *	4/1968	Schellens	D28/40
3,653,392	A *	4/1972	Hassey	A45D 6/145 132/252
3,738,697	A	6/1973	Kahan	
3,841,684	A *	10/1974	Fleishman	B25B 7/00 294/1.3

(**) Term: **14 Years**

(21) Appl. No.: **29/523,534**

(22) Filed: **Apr. 10, 2015**

(51) **LOC (10) Cl.** **30-99**

(52) **U.S. Cl.**
USPC **D30/162**

(58) **Field of Classification Search**

USPC D30/162, 199; D28/40, 25, 29, 43, 37;
D8/4, 52, 58, 51; D34/1, 10, 28, 34,
D34/35; D21/532; D29/124; D7/642, 644,
D7/683, 685, 686, 687, 688; 119/867, 161;
294/1.3-1.5, 19.2, 19.3, 86.4, 86.11,
294/86.19, 86.42, 86.12, 86.17, 86.2, 86.21,
294/86.24, 86.26, 86.32, 87.26, 196-198,
294/210, 111, 49-57; 132/273, 277, 283,
132/284, 128-156, 236, 252, 259-263;
15/257.1; 446/424-428, 491, 330, 86;
273/447

CPC A01K 1/01; E01H 1/1206; E01H 1/12;
E01H 1/1213; E01H 2001/122; E01H
2001/1226; E01H 2001/1233; E01H
2001/1246; E01H 2001/1293; A45D 8/20;
A45D 8/14; A45D 8/16; A45D 8/00; A45D
2008/002; A45D 2008/004; B25J 1/02;
B25J 1/06; A63H 17/266; A63H 17/12;
A63H 17/26; A63H 23/005; A63H 23/16;
A63H 33/3044; A63H 33/3072

See application file for complete search history.

(Continued)

Primary Examiner — Susan Moon Lee

(74) *Attorney, Agent, or Firm* — Stanley J. Gradisar
Attorney at Law, LLC; Stanley J. Gradisar

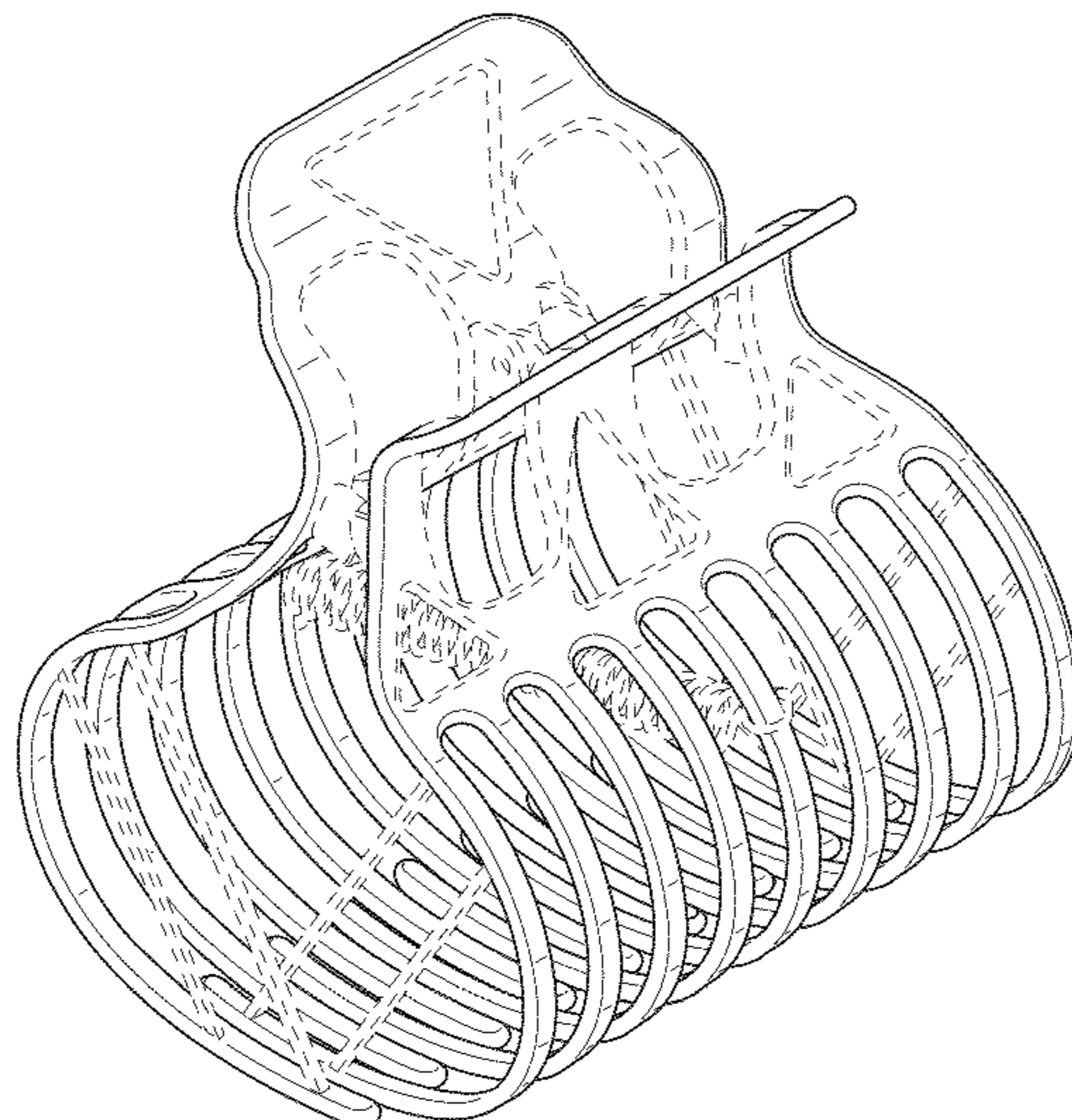
(57) **CLAIM**

The ornamental design for a waste collection device, as shown and described.

DESCRIPTION

FIG. 1 is a front perspective view of the waste collection device;
FIG. 2 is a left elevation view thereof;
FIG. 3 is a right elevation view thereof;
FIG. 4 is a front elevation view thereof;
FIG. 5 is a rear elevation view thereof;
FIG. 6 is a top plan view thereof; and,
FIG. 7 is a bottom plan view thereof.
Broken lines and unshaded portions contained within broken lines are not claimed.

1 Claim, 7 Drawing Sheets



(56)

References Cited

U.S. PATENT DOCUMENTS

4,014,584	A	3/1977	Bau		7,429,212	B1 *	9/2008	Murray	B25B 5/06 452/176
4,148,510	A *	4/1979	Brack	E01H 1/1206 294/1.3	D583,991	S *	12/2008	Pichon	D28/39
4,194,777	A	3/1980	Carns		D604,913	S *	11/2009	Boghozian	D30/162
4,215,886	A	8/1980	Naderi et al.		D604,914	S *	11/2009	Boghozian	D30/162
4,247,139	A	1/1981	Grieb		D613,007	S *	3/2010	Anderson	D30/162
D259,968	S *	7/1981	Schneider	294/1.3	D627,099	S *	11/2010	Tu	D28/40
4,316,627	A	2/1982	Solypa		D627,516	S *	11/2010	Hsu	D28/40
4,368,907	A	1/1983	Ross		7,862,094	B1 *	1/2011	Lamont	A47L 13/52 294/1.3
4,378,670	A *	4/1983	Check	A01D 51/00 294/176	D637,348	S *	5/2011	Richmond	D28/40
4,508,124	A *	4/1985	Franzino	A45D 2/36 132/277	D642,738	S *	8/2011	Hsu	D28/40
4,624,272	A *	11/1986	Franzino	A45D 6/145 132/251	7,992,907	B1	8/2011	DeJesus	
D293,489	S *	12/1987	Franzino	D28/25	D663,494	S *	7/2012	Milliff	D30/199
4,718,707	A	1/1988	Greenhut		8,216,258	B2 *	7/2012	Skipper	A61B 5/6826 24/502
4,854,624	A	8/1989	Baymiller		D669,217	S *	10/2012	Hsu	D28/39
4,911,185	A *	3/1990	Losenno	A45D 7/04 132/211	8,505,543	B2 *	8/2013	Miller	A61F 5/0096 119/814
D317,246	S *	6/1991	Driscoll	294/171	D700,740	S *	3/2014	Cheung	D28/35
D332,675	S *	1/1993	Simon	294/1.3	8,833,817	B2	9/2014	Kovarik et al.	
5,320,393	A	6/1994	Cortinas		D716,005	S *	10/2014	McNay	D30/162
5,350,208	A	9/1994	Heinrichson		8,869,355	B2 *	10/2014	Huang	H02G 3/32 24/329
5,359,840	A *	11/1994	Costar	A01D 51/00 172/378	D737,510	S *	8/2015	Wright	D28/40
5,385,376	A *	1/1995	Malaspina	E01H 1/1206 15/257.6	2003/0098035	A1 *	5/2003	Hildebrandt	A45D 2/122 132/277
5,409,279	A	4/1995	Magee		2004/0154633	A1 *	8/2004	Rogers	A45D 8/20 132/277
5,503,442	A	4/1996	Lee		2004/0231692	A1 *	11/2004	Shyu	A45D 8/20 132/277
5,520,201	A *	5/1996	Hart	A45D 8/34 132/273	2005/0087206	A1 *	4/2005	Shyu	A45D 8/20 132/277
5,564,763	A	10/1996	Mercurio		2007/0028940	A1 *	2/2007	Coral	A45D 8/20 132/277
5,601,321	A	2/1997	Simon		2007/0131238	A1 *	6/2007	Chudzik	A45D 8/20 132/277
5,628,537	A	5/1997	Kiemer		2008/0191502	A1 *	8/2008	Anderson	E01H 1/1206 294/1.3
D380,864	S *	7/1997	Deakin	D28/35	2008/0216861	A1 *	9/2008	Shyu	A45D 8/20 132/277
D381,119	S *	7/1997	Chang	D28/25	2008/0216862	A1 *	9/2008	Silva	A45D 8/20 132/277
D403,109	S *	12/1998	Potut	D28/40	2008/0257375	A1 *	10/2008	Tu	A45D 8/16 132/277
D403,133	S *	12/1998	Bowell	D30/162	2009/0090379	A1 *	4/2009	Potut	A45D 8/22 132/277
D410,302	S *	5/1999	Yasuda	D28/40	2009/0096226	A1 *	4/2009	Anderson	E01H 1/1206 294/1.3
D414,583	S *	9/1999	Yasuda	D28/25	2009/0255552	A1 *	10/2009	Hsu	A45D 8/20 132/277
D415,591	S *	10/1999	Knudsen	D28/40	2009/0261603	A1 *	10/2009	Boghozian	E01H 1/1206 294/1.3
6,035,863	A *	3/2000	Mao	A45D 8/20 132/273	2009/0272397	A1 *	11/2009	Defenbaugh	A45D 8/20 132/277
6,059,332	A *	5/2000	Beascoechea Inchaurraga	E01H 1/1206 294/1.3	2009/0272398	A1 *	11/2009	Chudzik	A45D 8/20 132/277
6,098,255	A *	8/2000	Kumada	F16L 3/1215 24/30.5 P	2009/0315349	A1 *	12/2009	Black	E01H 1/1206 294/1.3
6,135,125	A *	10/2000	Sartena	A45D 8/20 132/275	2010/0242987	A1 *	9/2010	Washington	A45D 8/20 132/275
6,186,151	B1 *	2/2001	Newlin	A45D 8/00 132/273	2011/0193359	A1 *	8/2011	Howard	E01H 1/1206 294/1.3
D449,133	S *	10/2001	Potut	D28/40	2012/0186602	A1 *	7/2012	Hsu	A45D 8/20 132/277
6,360,752	B1 *	3/2002	Chang	A45D 2/362 132/259	2014/0202489	A1 *	7/2014	Yang	A45D 8/20 132/277
D483,151	S *	12/2003	Walker	D28/40	2014/0209117	A1 *	7/2014	Wang	A45D 8/24 132/277
D483,523	S *	12/2003	Jones	D28/40	2015/0201728	A1 *	7/2015	Chudzik	A45D 8/00 132/277
6,668,761	B2 *	12/2003	Tsigrik	E01H 1/1206 119/867					
6,681,778	B1 *	1/2004	Salisbury	A45D 8/20 132/275					
D488,258	S *	4/2004	Walker	D28/40					
6,986,325	B1 *	1/2006	Hsu	E01H 1/1206 119/161					
D536,132	S *	1/2007	Vergona	D28/40					
7,216,905	B1 *	5/2007	Armes, Jr.	E01H 1/1206 294/1.3					
7,374,215	B2 *	5/2008	Anderson	E01H 1/1206 294/1.3					

* cited by examiner

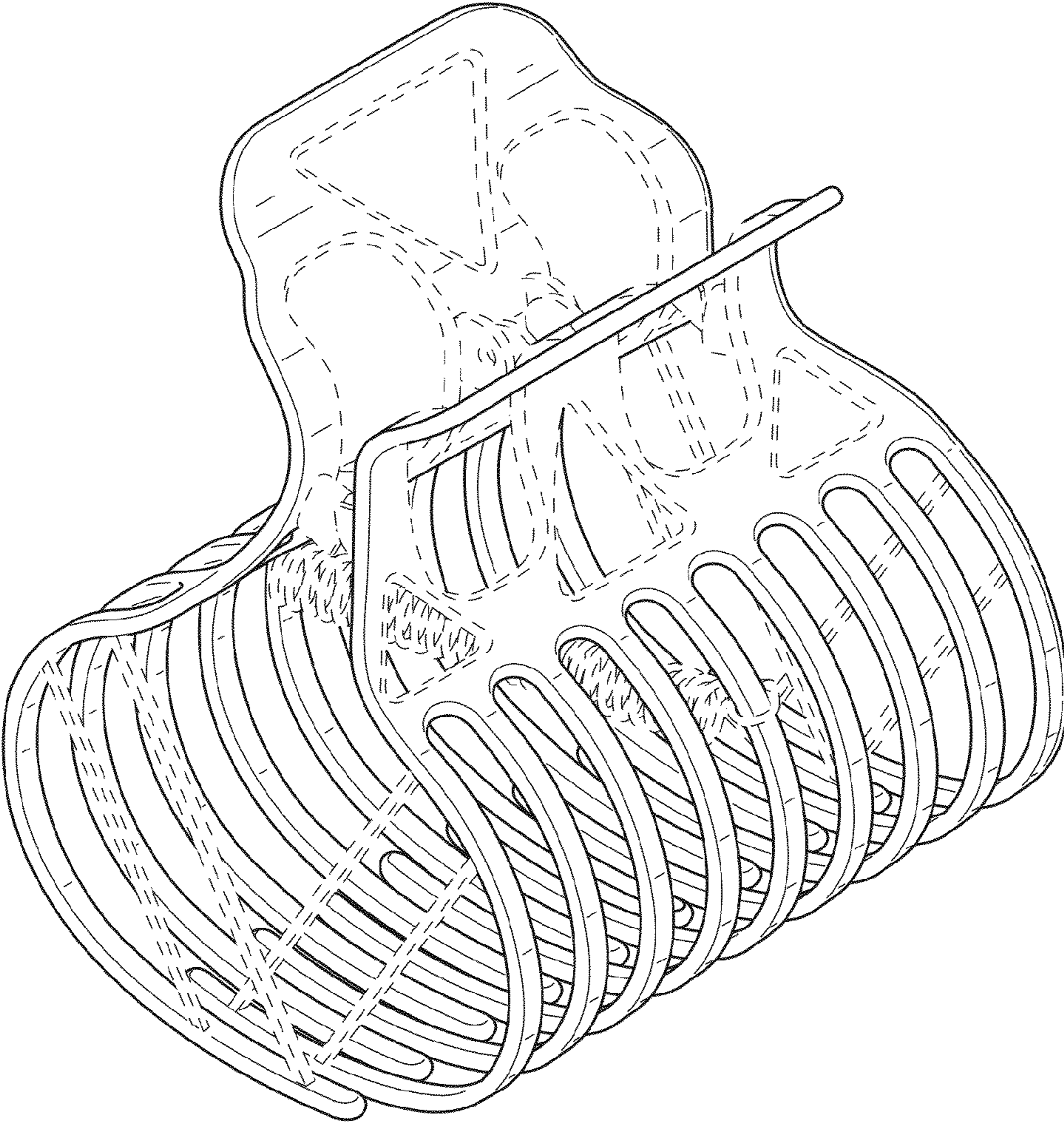


FIG.1

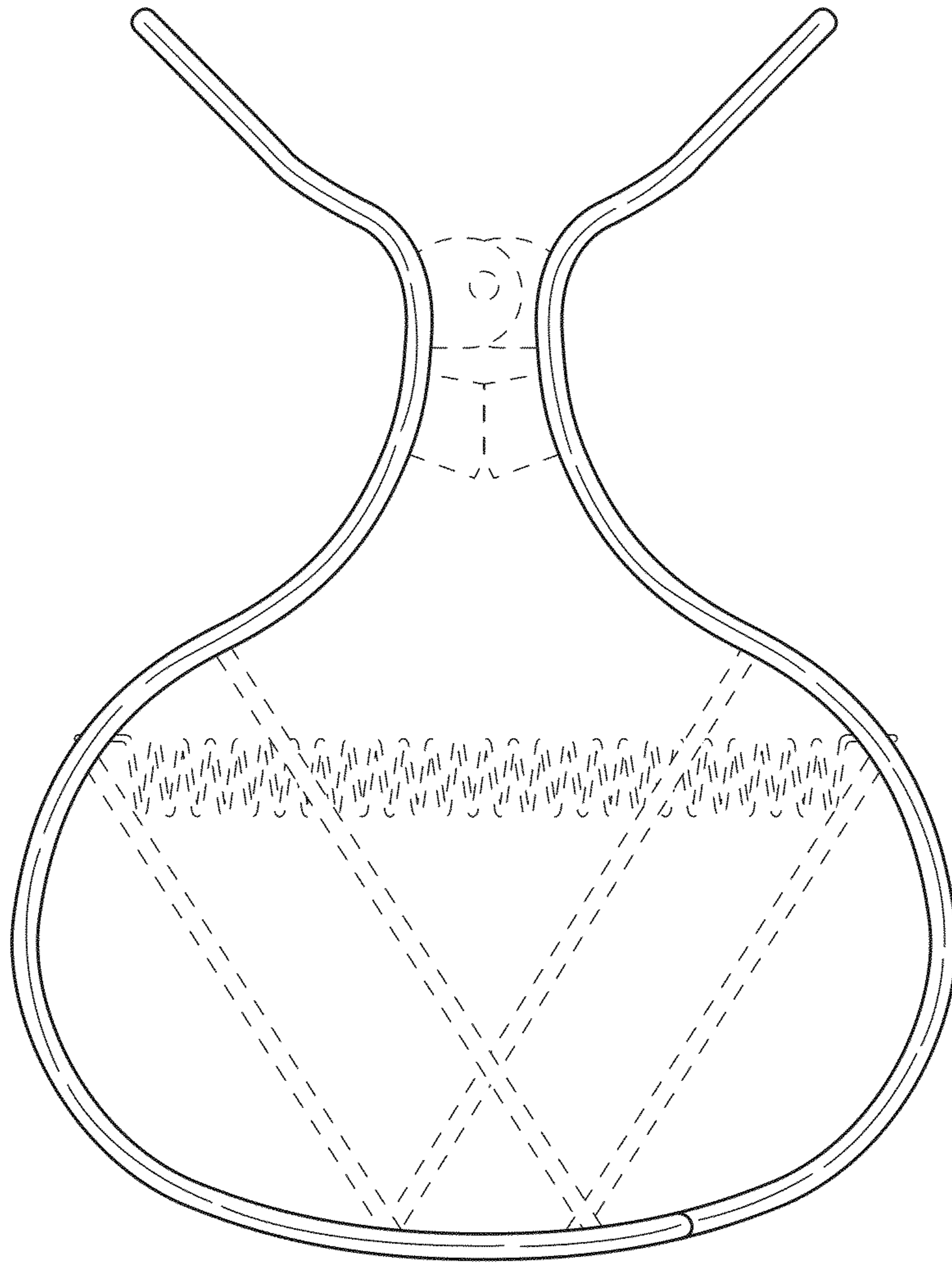


FIG.2

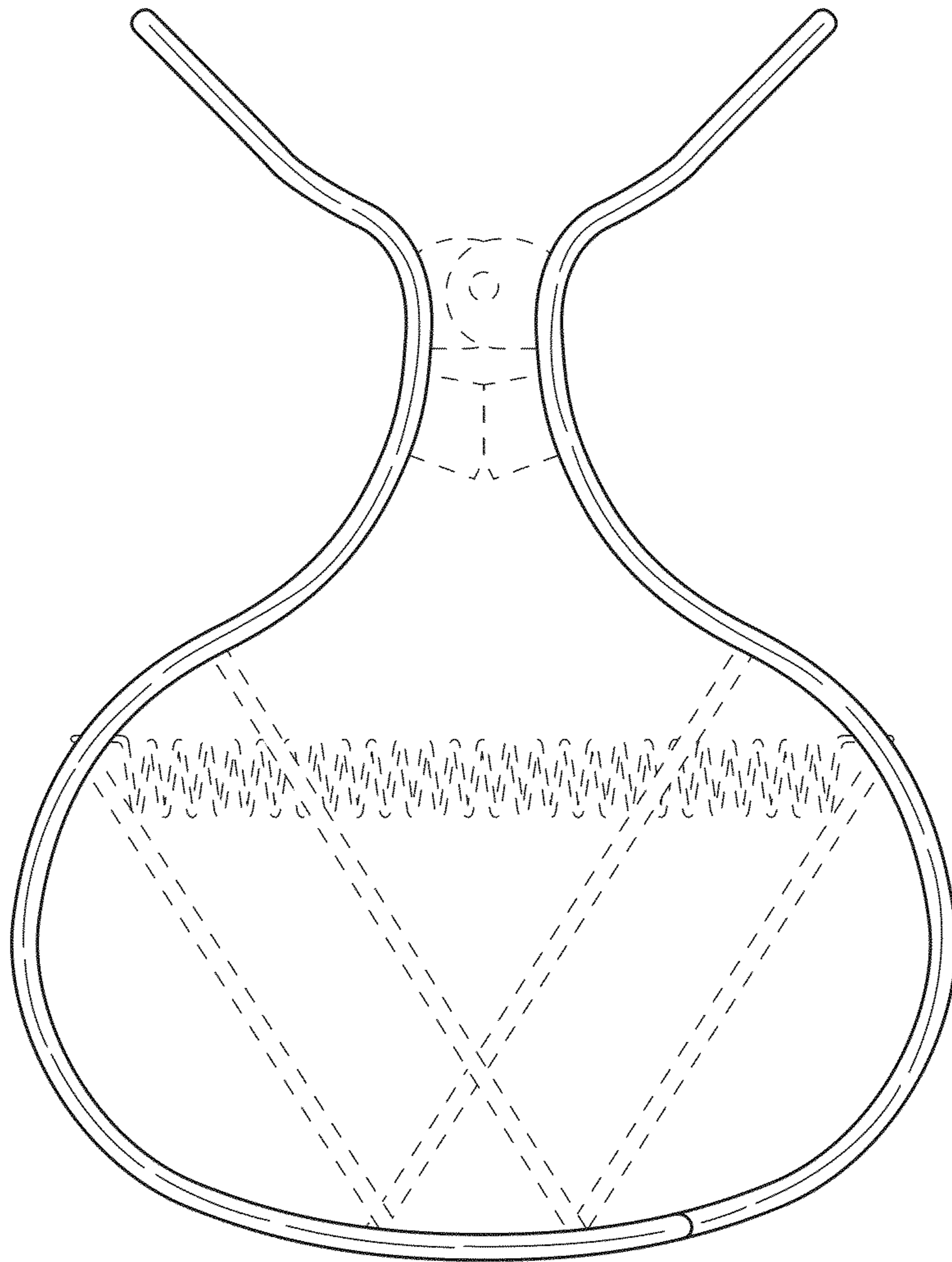


FIG.3

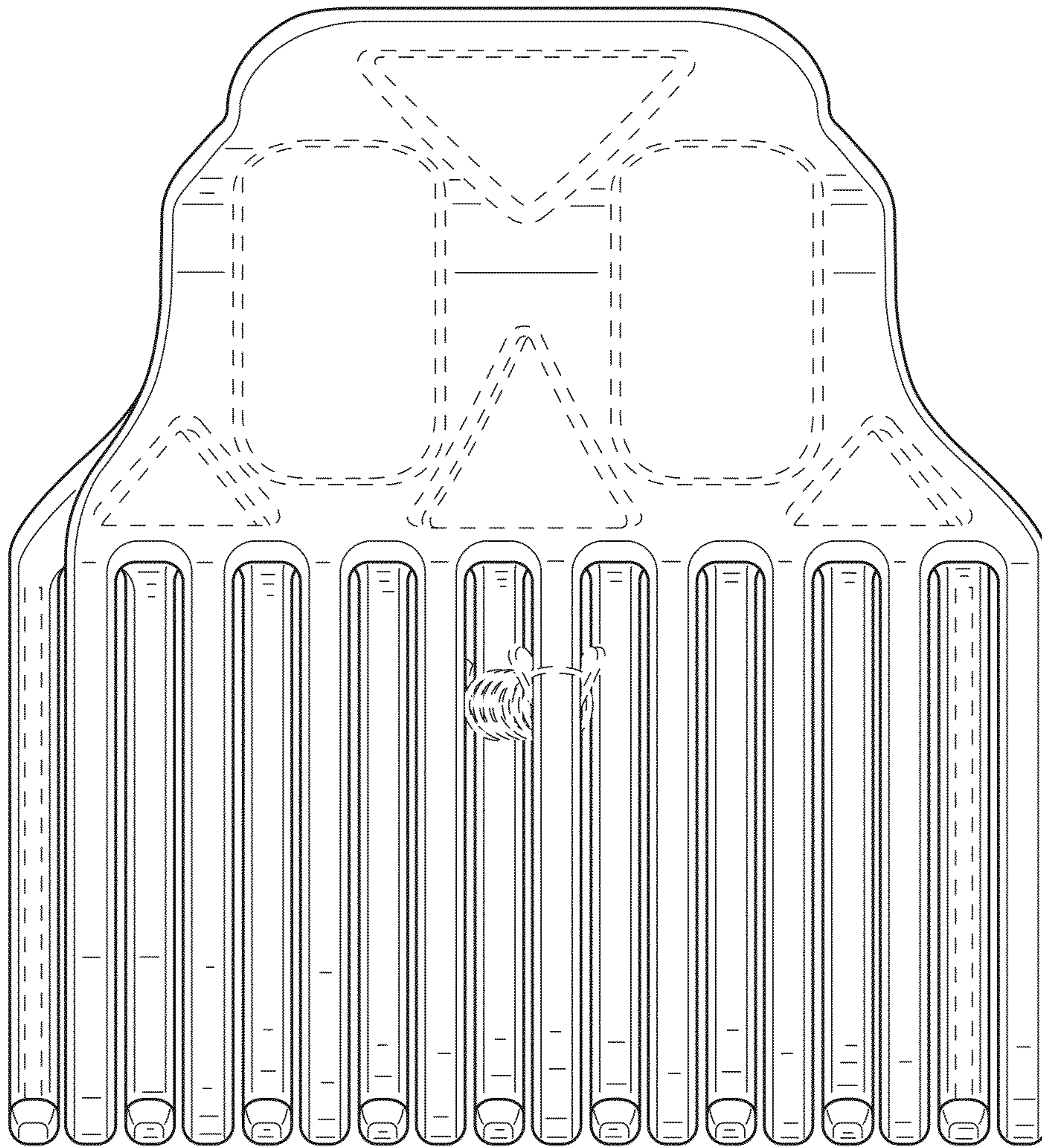


FIG.4

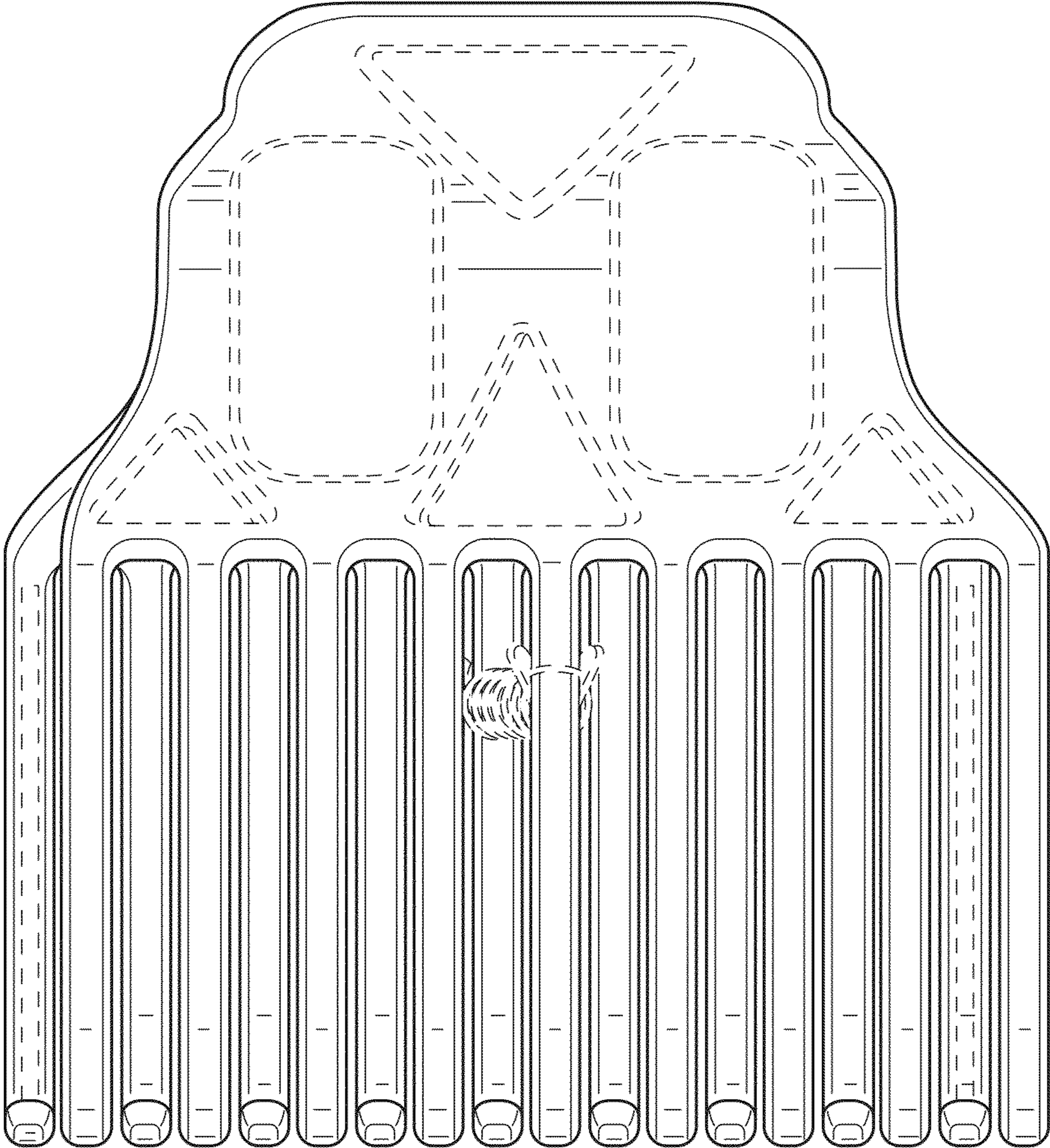


FIG.5

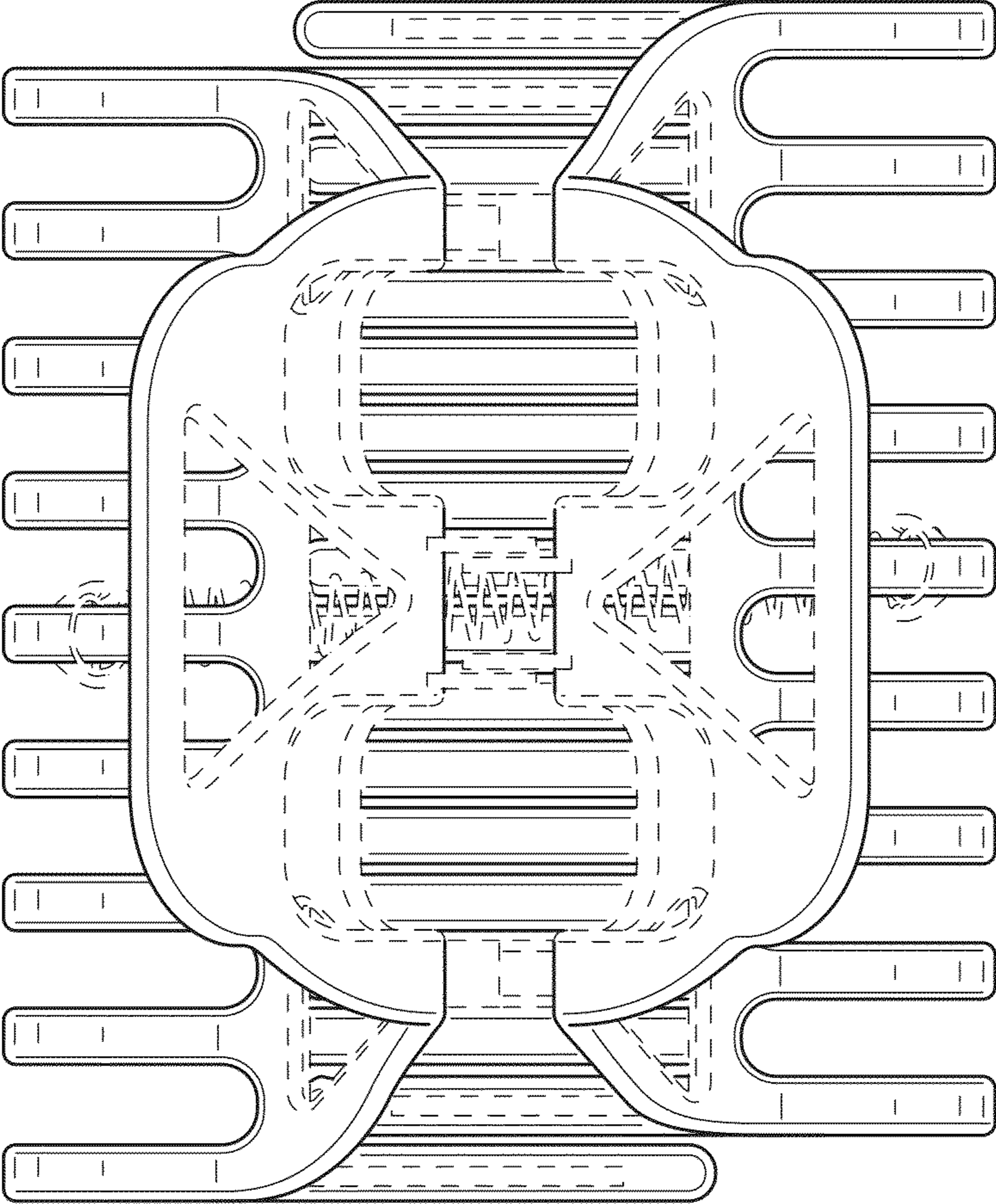


FIG.6

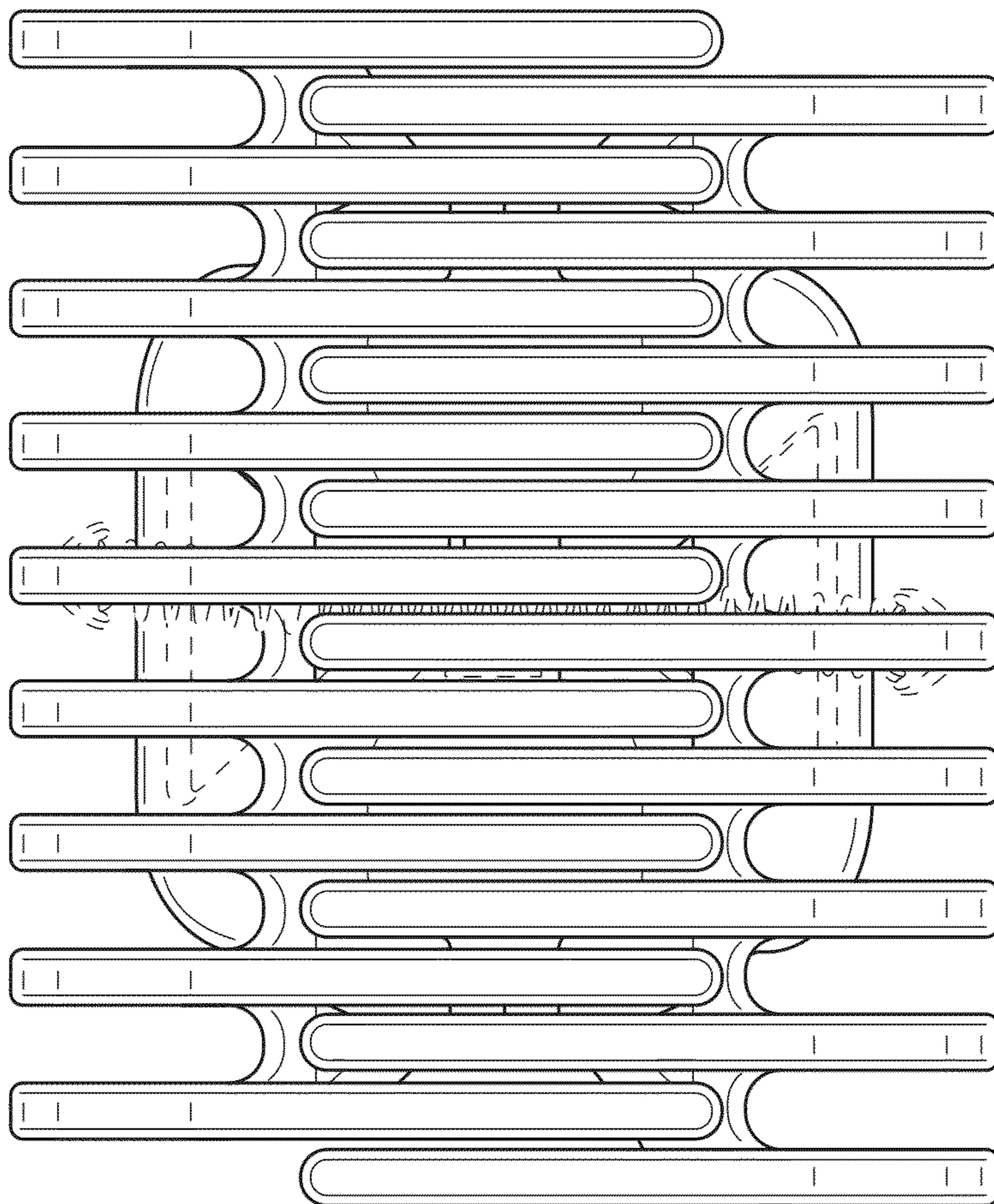


FIG.7