

US00D756571S

(12) **United States Design Patent**
Colvin

(10) **Patent No.:** **US D756,571 S**
(45) **Date of Patent:** **** May 17, 2016**

- (54) **ANIMAL FEEDER STAND**
- (71) Applicant: **Nicholas Clay Colvin**, Cincinnati, OH (US)
- (72) Inventor: **Nicholas Clay Colvin**, Cincinnati, OH (US)
- (**) Term: **15 Years**
- (21) Appl. No.: **29/530,596**
- (22) Filed: **Jun. 18, 2015**
- (51) **LOC (10) Cl.** **30-03**
- (52) **U.S. Cl.**
USPC **D30/133; D30/129; D30/121**
- (58) **Field of Classification Search**
USPC D30/133, 121, 128, 130, 132; 119/52.1, 119/55, 61.5, 61.6, 61.57, 61.56; D6/480-485; 248/188; 312/204; 108/153.1-157
CPC A01K 5/00; A01K 5/01; A01K 5/0107; A01K 5/0114; A01K 5/0121; A01K 5/0128; A01K 5/0135; A01K 7/005
See application file for complete search history.

- D341,232 S * 11/1993 Dethloff, Jr. D11/3
- D342,350 S * 12/1993 Gower D30/133
- D367,886 S * 3/1996 Dutton, Jr. D11/159
- D409,665 S * 5/1999 Wiseman D10/109.1
- 5,945,180 A * 8/1999 Phillips B32B 17/10247
428/14
- D441,801 S * 5/2001 Wells D20/17
- D565,257 S * 3/2008 Cusick D30/154
- D584,139 S * 1/2009 Himeda D9/415
- D593,153 S * 5/2009 Eckardt D19/40
- D611,534 S * 3/2010 Voss D19/40
- D625,182 S * 10/2010 Kerr D9/432
- D635,017 S * 3/2011 Kerr D5/25
- D641,937 S * 7/2011 Pitter D30/133
- D646,441 S * 10/2011 Chance D30/130
- D647,668 S * 10/2011 Siklosi D30/130
- D676,756 S * 2/2013 Betts D9/601
- D679,455 S * 4/2013 Chance D30/130
- D682,485 S * 5/2013 Wygle D30/129
- D695,974 S * 12/2013 Young D30/130
- D700,408 S * 2/2014 Dixon D30/130
- D710,550 S * 8/2014 Elliott D30/133
- D711,053 S * 8/2014 Long D30/121

* cited by examiner

Primary Examiner — Susan Moon Lee

(56) **References Cited**

U.S. PATENT DOCUMENTS

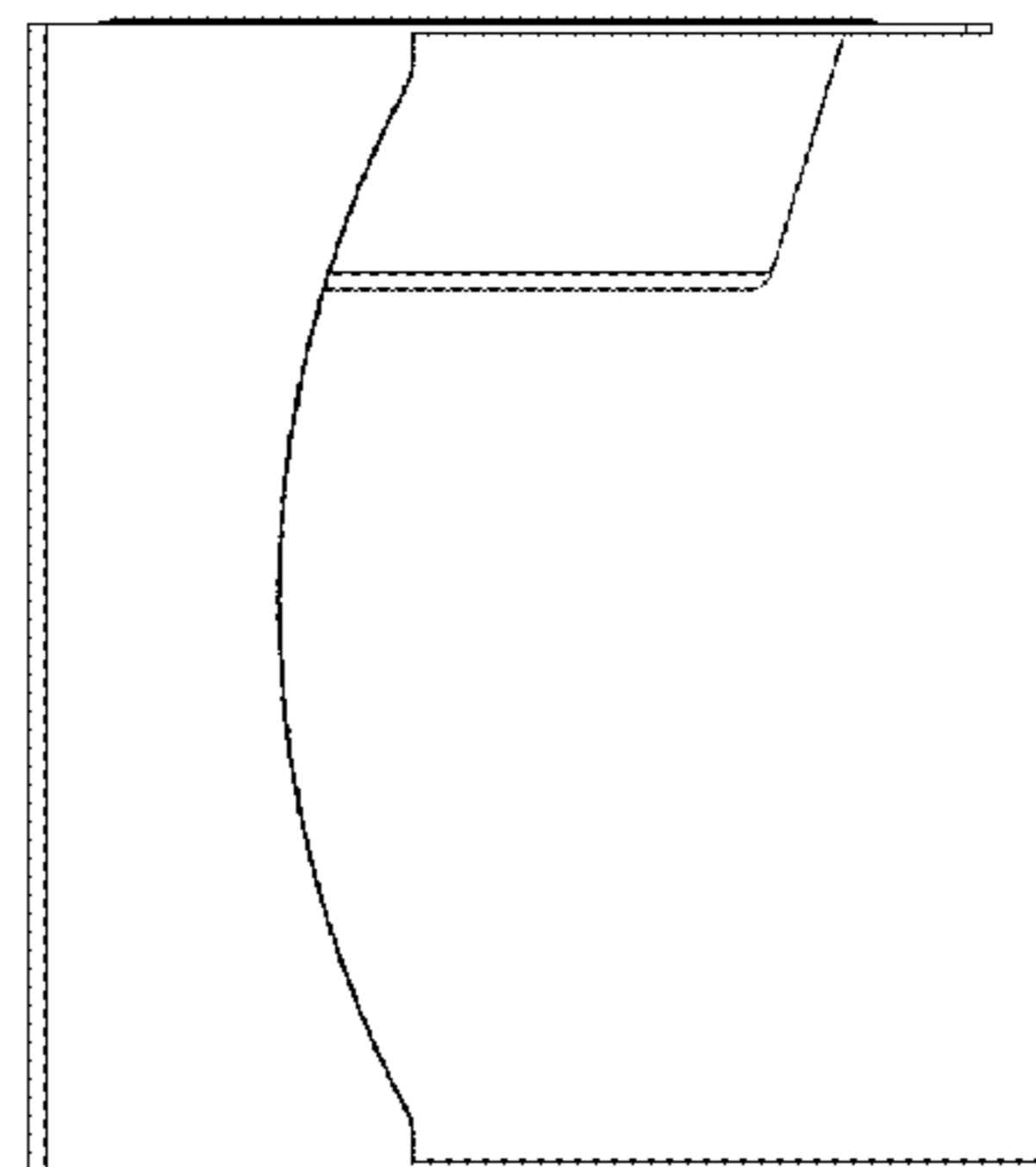
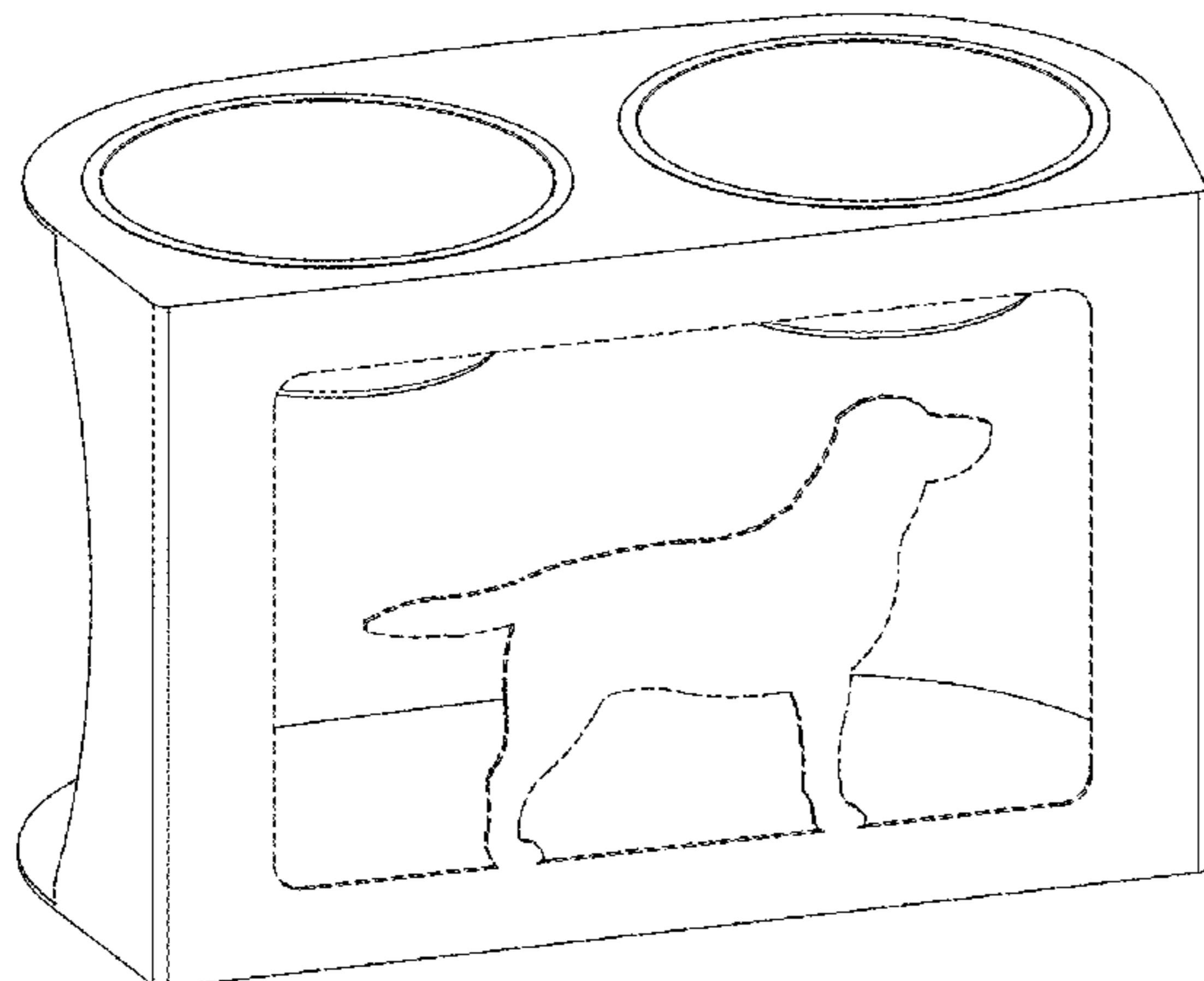
- D151,473 S * 10/1948 Stahler D30/130
- 2,555,396 A * 6/1951 Cosner A01K 5/0114
119/51.5
- 2,892,604 A * 6/1959 Keen A01K 39/014
119/61.1
- D197,784 S * 3/1964 Johnson D11/134
- 3,633,286 A * 1/1972 Maurer B43L 13/206
33/563
- 3,776,193 A * 12/1973 Post, Sr. A01K 5/0114
119/51.5
- D293,947 S * 1/1988 Younker D30/130
- 4,836,783 A * 6/1989 Harper A63H 33/22
226/129
- D307,562 S * 5/1990 Young D11/134
- 5,100,324 A * 3/1992 Slayton A45C 11/36
101/127.1

(57) **CLAIM**
The ornamental design for an animal feeder stand, as shown and described.

DESCRIPTION

FIG. 1 is an overall perspective view from above of my new animal feeder stand;
 FIG. 2 is a top plan view thereof;
 FIG. 3 is a bottom plan view thereof;
 FIG. 4 is a left side elevational view thereof, the right side being a mirror image;
 FIG. 5 is a front elevational view thereof; and,
 FIG. 6 is a back elevational view thereof.
 The inner framing broken lines and broken line showing of a canine form, depict portions of the feeder stand that form no part of the claimed design.

1 Claim, 3 Drawing Sheets



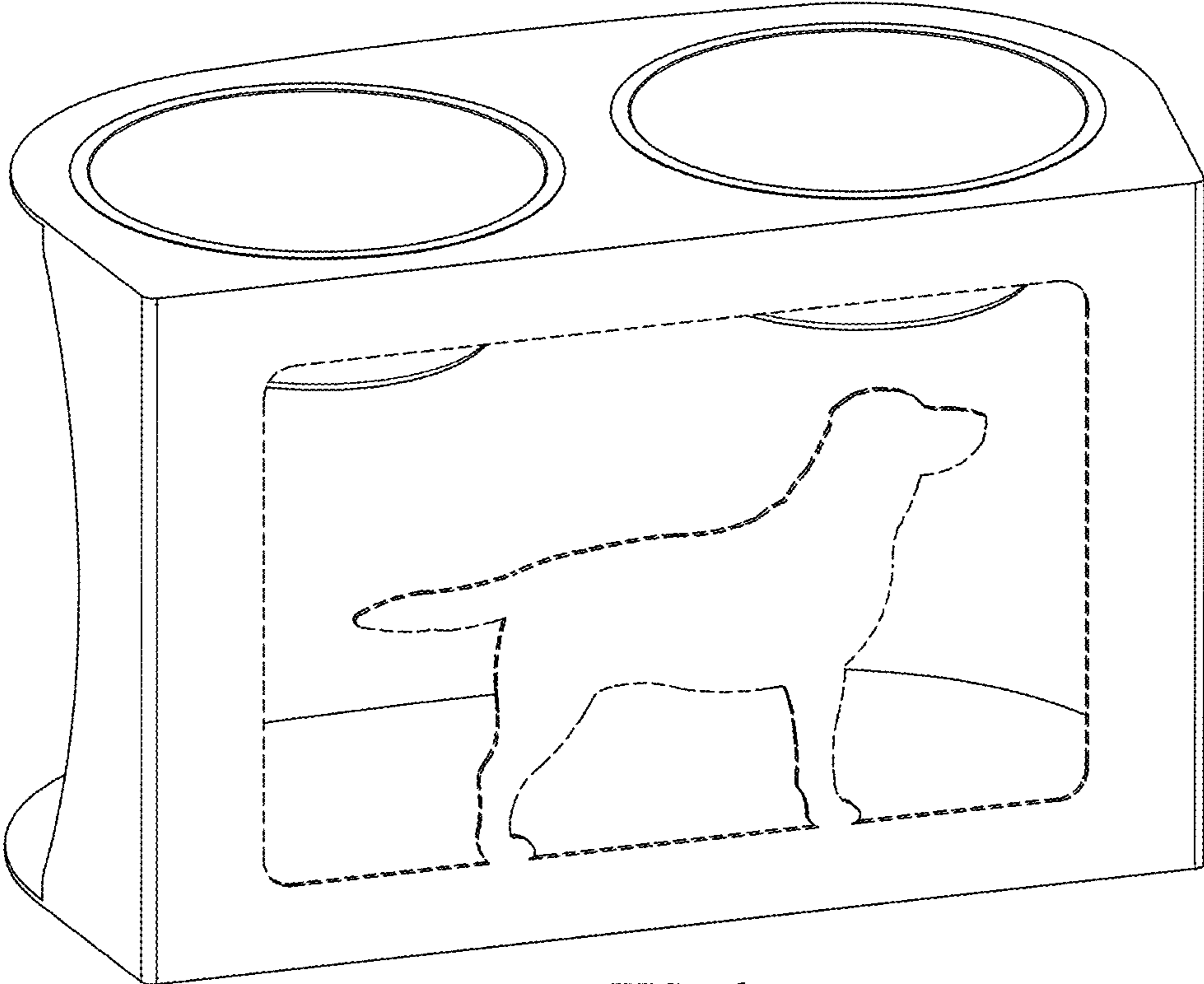


FIG. 1

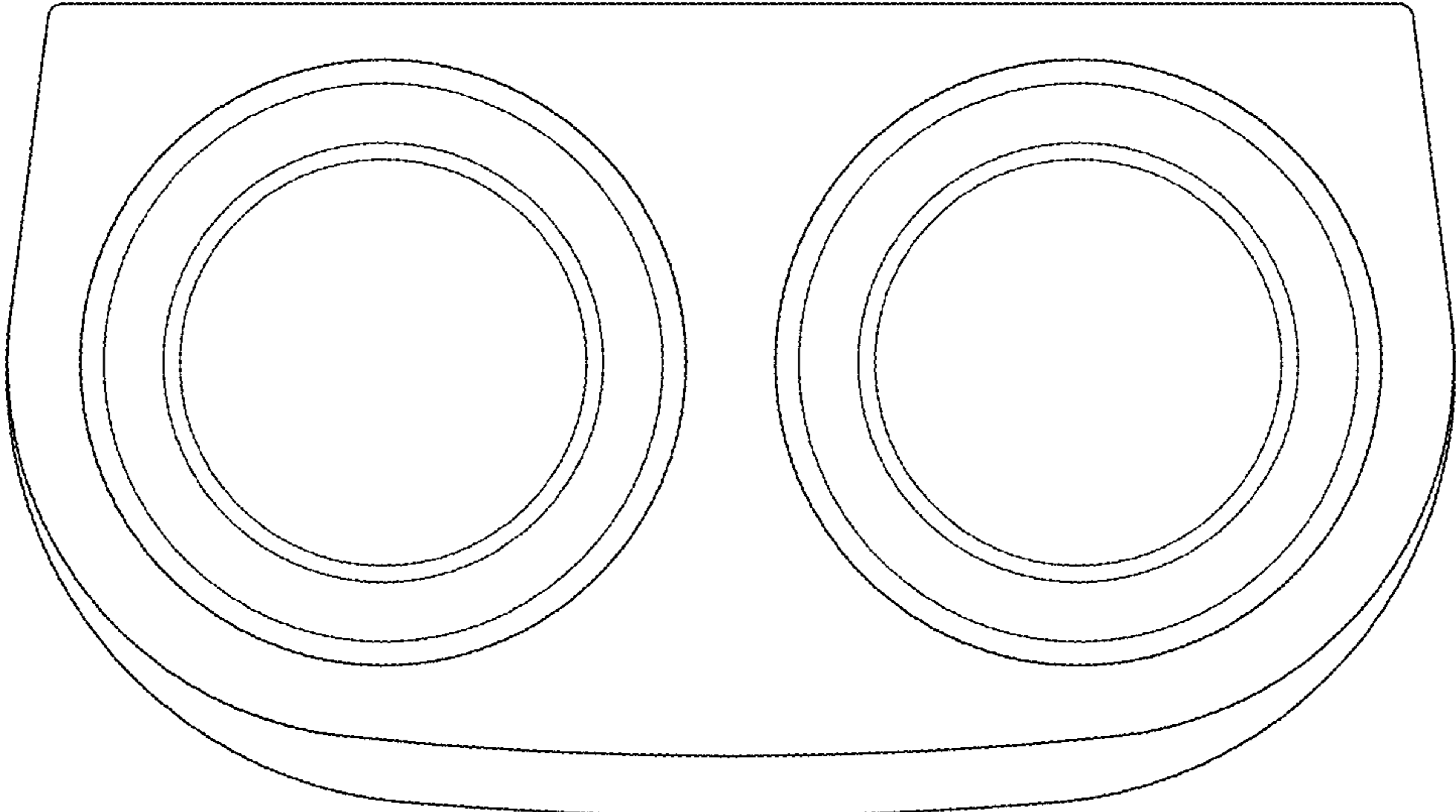


FIG. 2

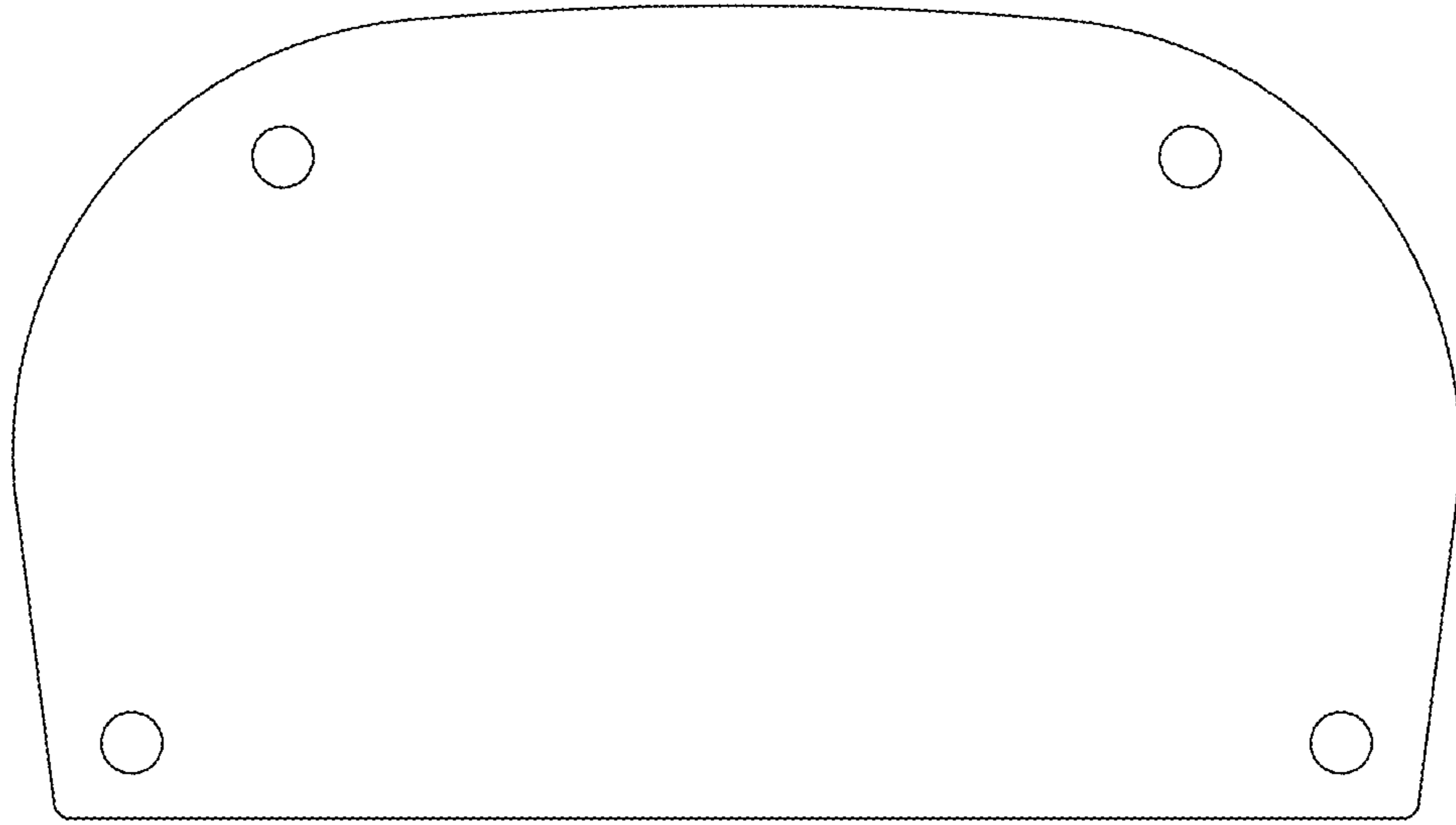


FIG. 3

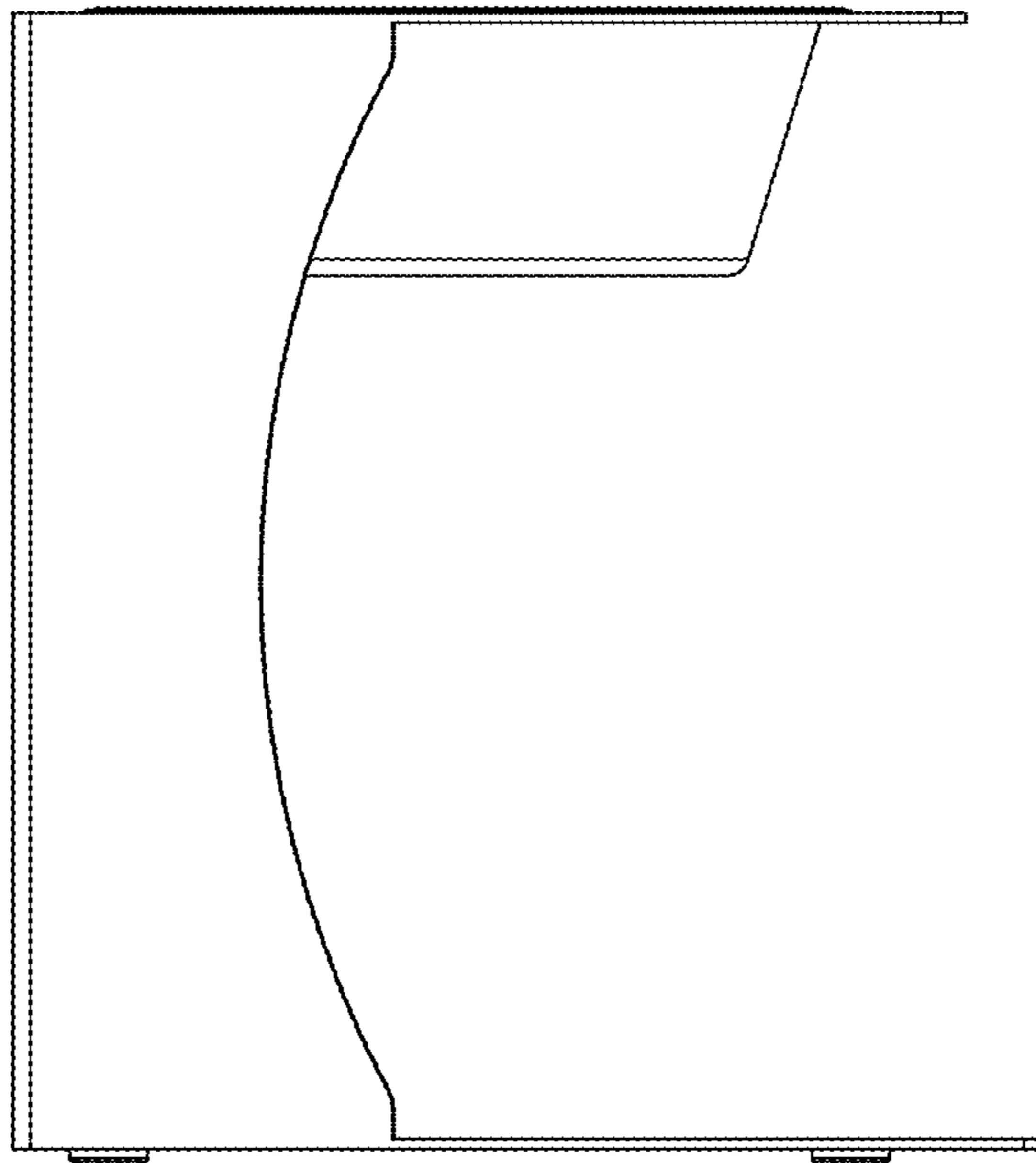


FIG. 4

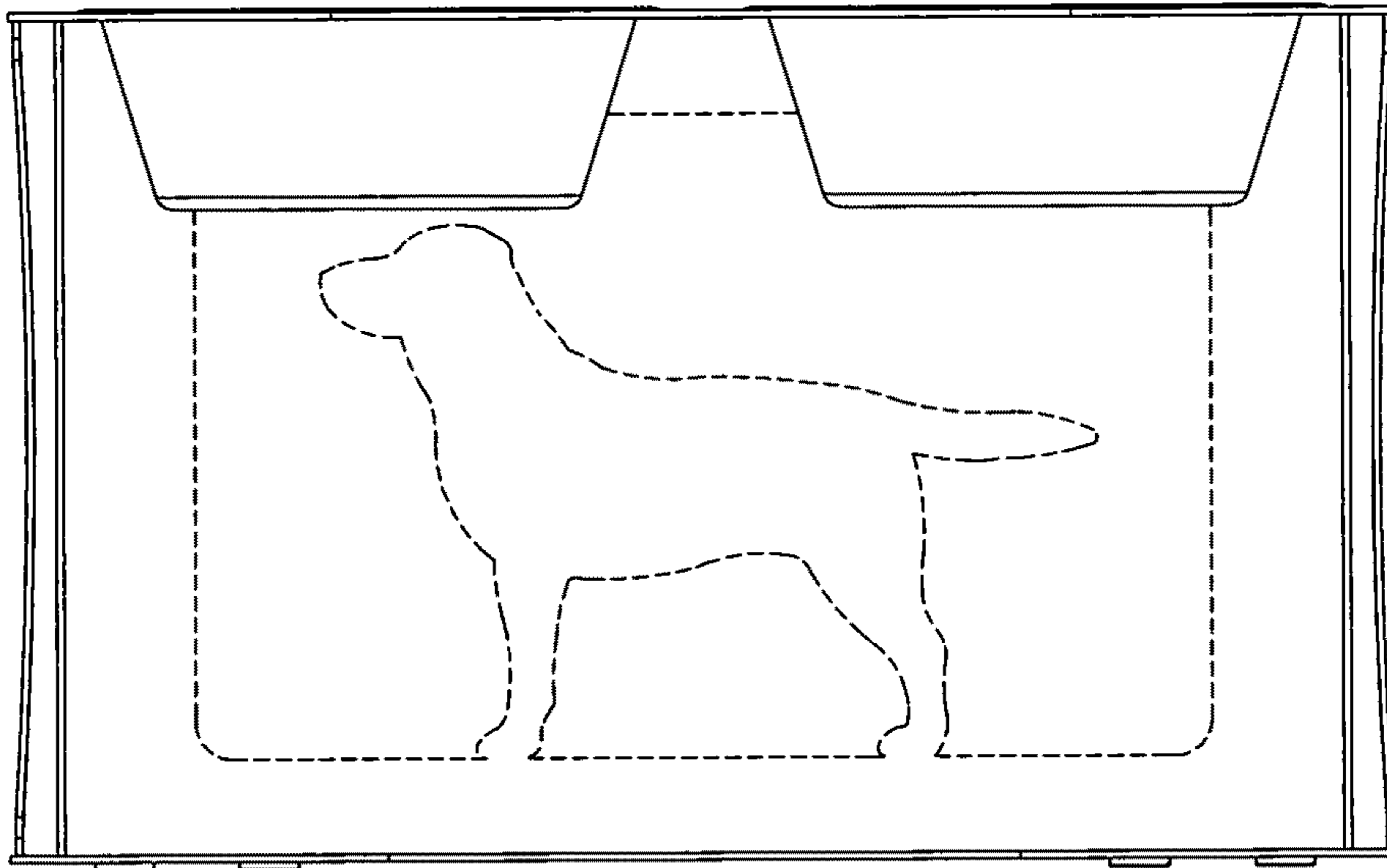


FIG. 5

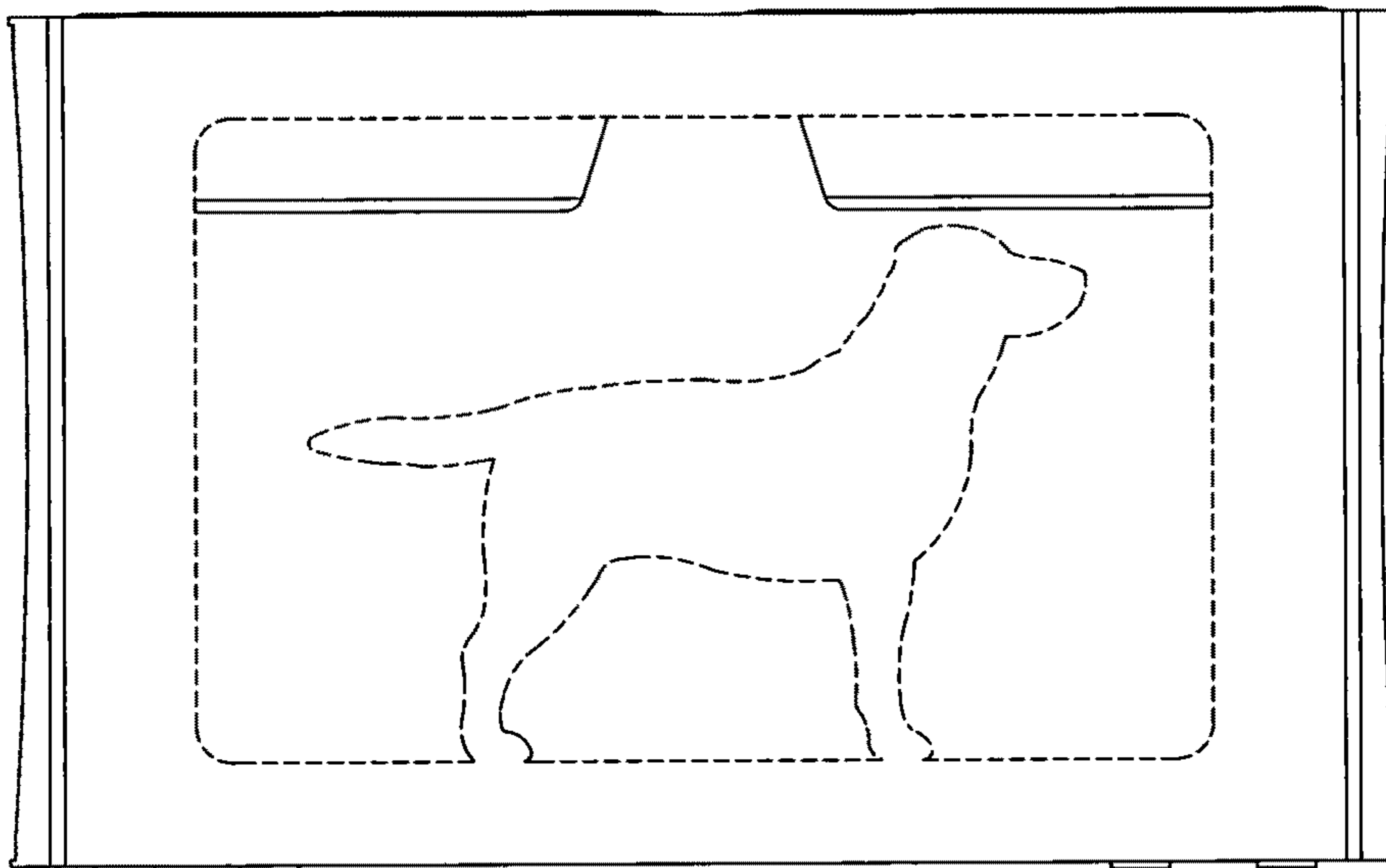


FIG. 6