



US00D756569S

(12) **United States Design Patent**
Yang

(10) **Patent No.:** **US D756,569 S**
(45) **Date of Patent:** **** May 17, 2016**

(54) **WELD CAP**

(71) Applicant: **NINGBO GEOSTAR PHOTOELECTRIC TECHNOLOGY CO., LTD.**, Ningbo (CN)

(72) Inventor: **Zhaolin Yang**, Ningbo (CN)

(73) Assignee: **NINGBO GEOSTAR PHOTOELECTRIC TECHNOLOGY CO., LTD.**, Ningbo (CN)

(**) Term: **15 Years**

(21) Appl. No.: **29/543,147**

(22) Filed: **Oct. 21, 2015**

(30) **Foreign Application Priority Data**

Aug. 6, 2015 (CN) 201530293687.8

(51) **LOC (10) Cl.** **29-02**

(52) **U.S. Cl.**
USPC **D29/110**

(58) **Field of Classification Search**
USPC D29/100, 102, 105, 106, 107, 108, 110;
D24/110.1, 110.2, 110.3
CPC A42B 3/225; A42B 3/18; A42B 3/20;
A42B 3/32; A42B 3/322; A42B 3/324;
A42B 3/326; A42B 3/328; A42B 3/06;
F41H 1/04; F41H 1/06; F41H 1/08; F41H
1/00; A61F 9/06; A61F 9/061; A61F 9/062;
A61F 9/064; A63B 71/10; A63B 71/08;
A63B 71/081; A63B 2071/105
See application file for complete search history.

(56) **References Cited**

U.S. PATENT DOCUMENTS

2,644,159 A * 7/1953 Jacobs A61F 9/064
2/8.5

4,853,973 A * 8/1989 Boochard A61F 9/06
2/434
4,863,244 A * 9/1989 Fuerthbauer A61F 9/067
2/431
D310,276 S * 8/1990 Fuerthbauer D29/110
D310,432 S * 9/1990 Boochard D29/110
5,533,206 A * 7/1996 Petrie A61F 9/064
2/8.5
5,571,217 A * 11/1996 Del Bon A42B 3/14
2/8.1
D489,492 S * 5/2004 Wu D29/110
D521,190 S * 5/2006 Wu D29/110

(Continued)

Primary Examiner — Elizabeth J Oswecki

(74) *Attorney, Agent, or Firm* — Andrew F. Young, Esq.;
Lackebach Siegel, LLP

(57) **CLAIM**

The ornamental design for a weld cap, as shown and described.

DESCRIPTION

FIG. 1 is a front elevation view of a weld cap showing my new design.

FIG. 2 is a rear elevation view of FIG. 1.

FIG. 3 is a left side elevation view of FIG. 1.

FIG. 4 is a right side elevation view of FIG. 1.

FIG. 5 is a top plan view of FIG. 1.

FIG. 6 is a bottom plan view of FIG. 1.

FIG. 7 is a right side, front perspective view of FIG. 1.

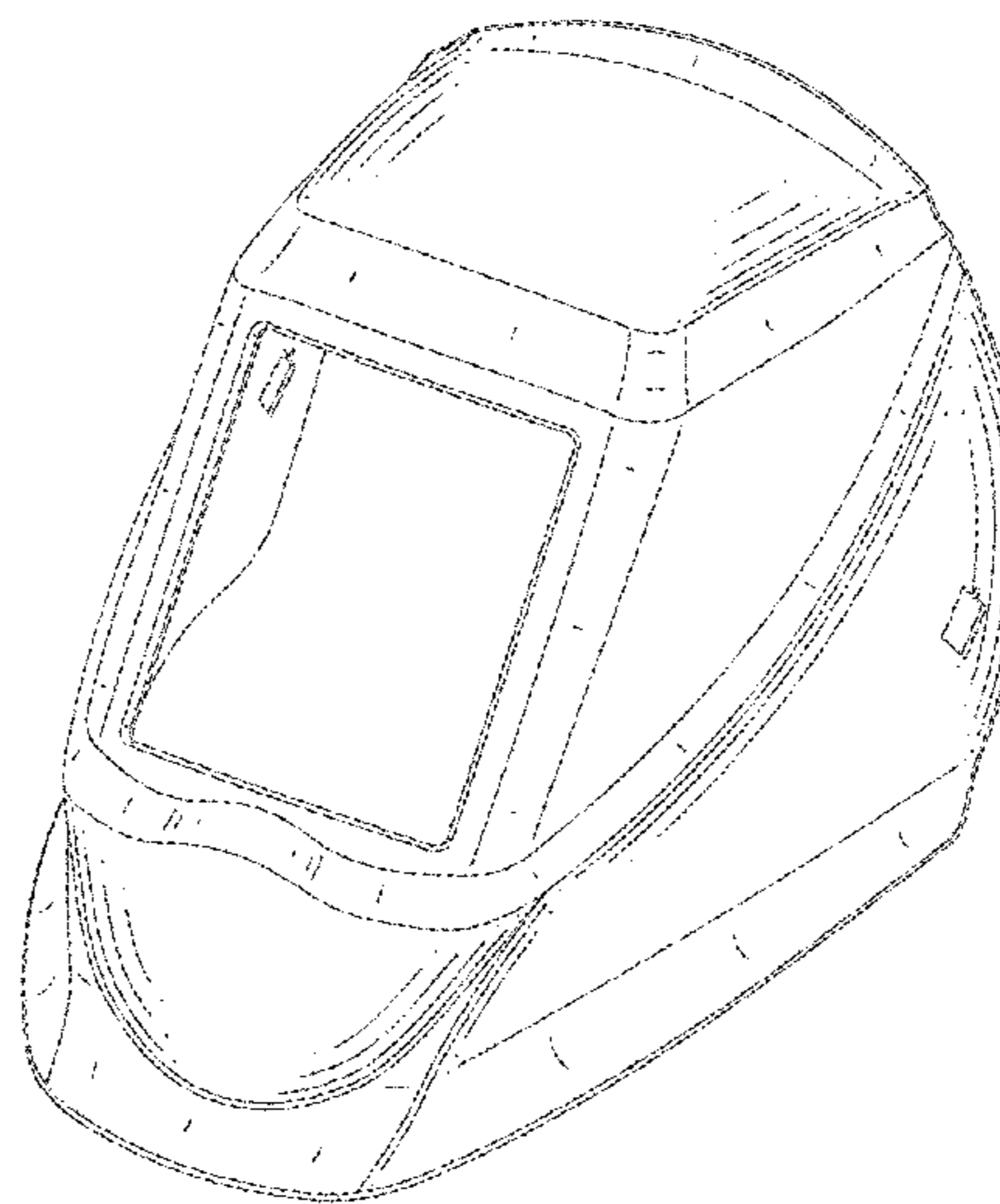
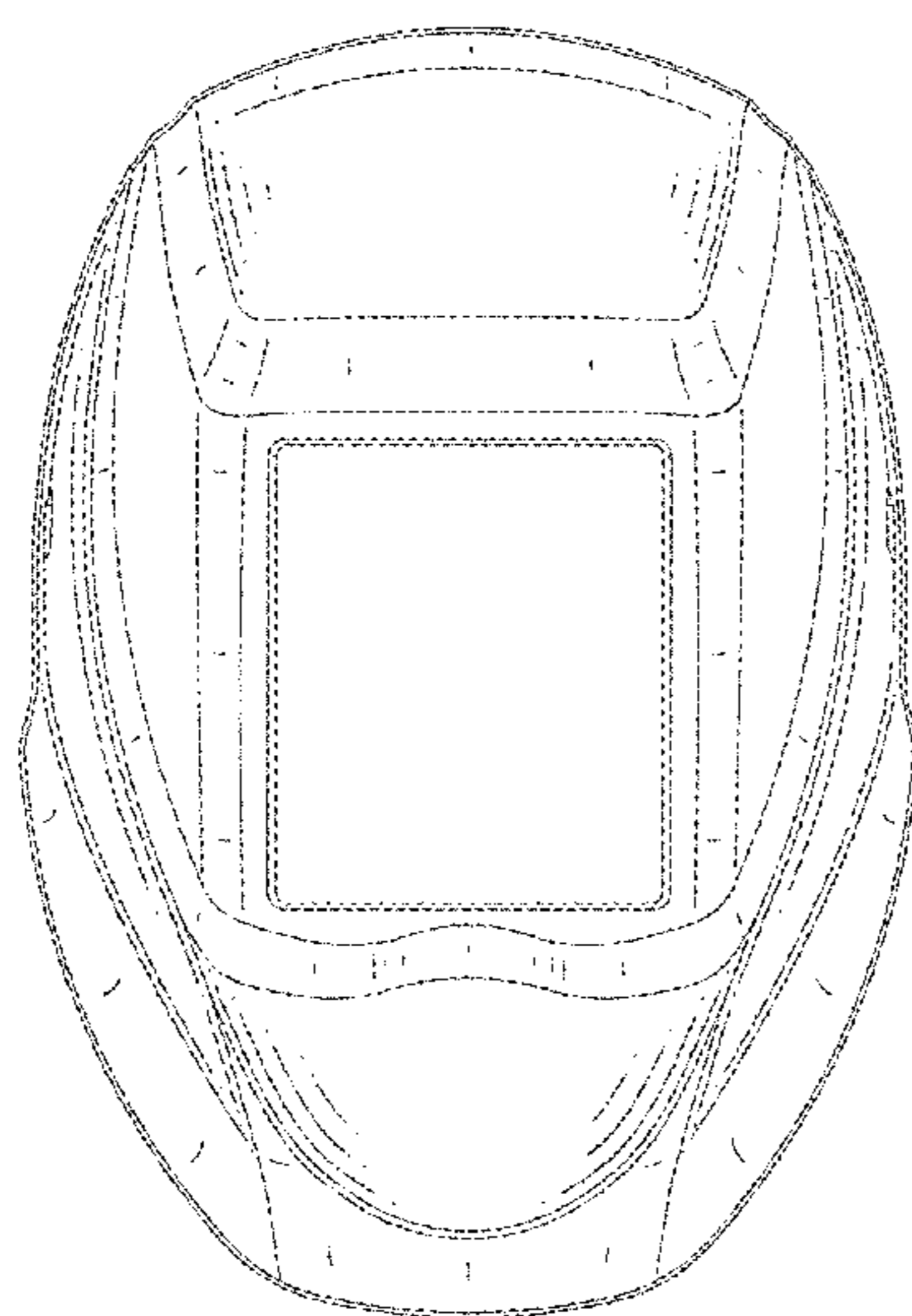
FIG. 8 is a left side, top perspective view of FIG. 1.

FIG. 9 is rear, bottom perspective view of FIG. 1; and,

FIG. 10 is another right side, front perspective view of FIG. 1 with a visual shield in broken lines shown in a used condition.

The portions shown in FIGS. 1-10 are lightly lined for contour only and do not contribute to the claimed design. No claim is made to surface texture of the particular design. The visual shield shown in FIG. 10 is shown in broken lines and forms non part of the claimed design.

1 Claim, 10 Drawing Sheets



(56)

References Cited

U.S. PATENT DOCUMENTS

D584,858 S * 1/2009 Wang D29/110
D586,956 S * 2/2009 Huh D29/110
D636,129 S * 4/2011 Wu D29/110
D654,224 S * 2/2012 Wu D29/110
D654,225 S * 2/2012 Wu D29/110
D654,226 S * 2/2012 Wu D29/110
D654,634 S * 2/2012 Wu D29/110
D669,227 S * 10/2012 Wang D29/110

D700,402 S * 2/2014 Zhou D29/110
8,955,162 B2 * 2/2015 Huh A61F 9/067
2/8.2
D728,163 S * 4/2015 Zhou D29/110
9,009,862 B2 * 4/2015 Huh A61F 9/067
2/8.3
D732,746 S * 6/2015 Wu D29/110
D734,557 S * 7/2015 Stankus D29/110
D734,558 S * 7/2015 Wu D29/110
D742,075 S * 10/2015 Zhou D29/110

* cited by examiner

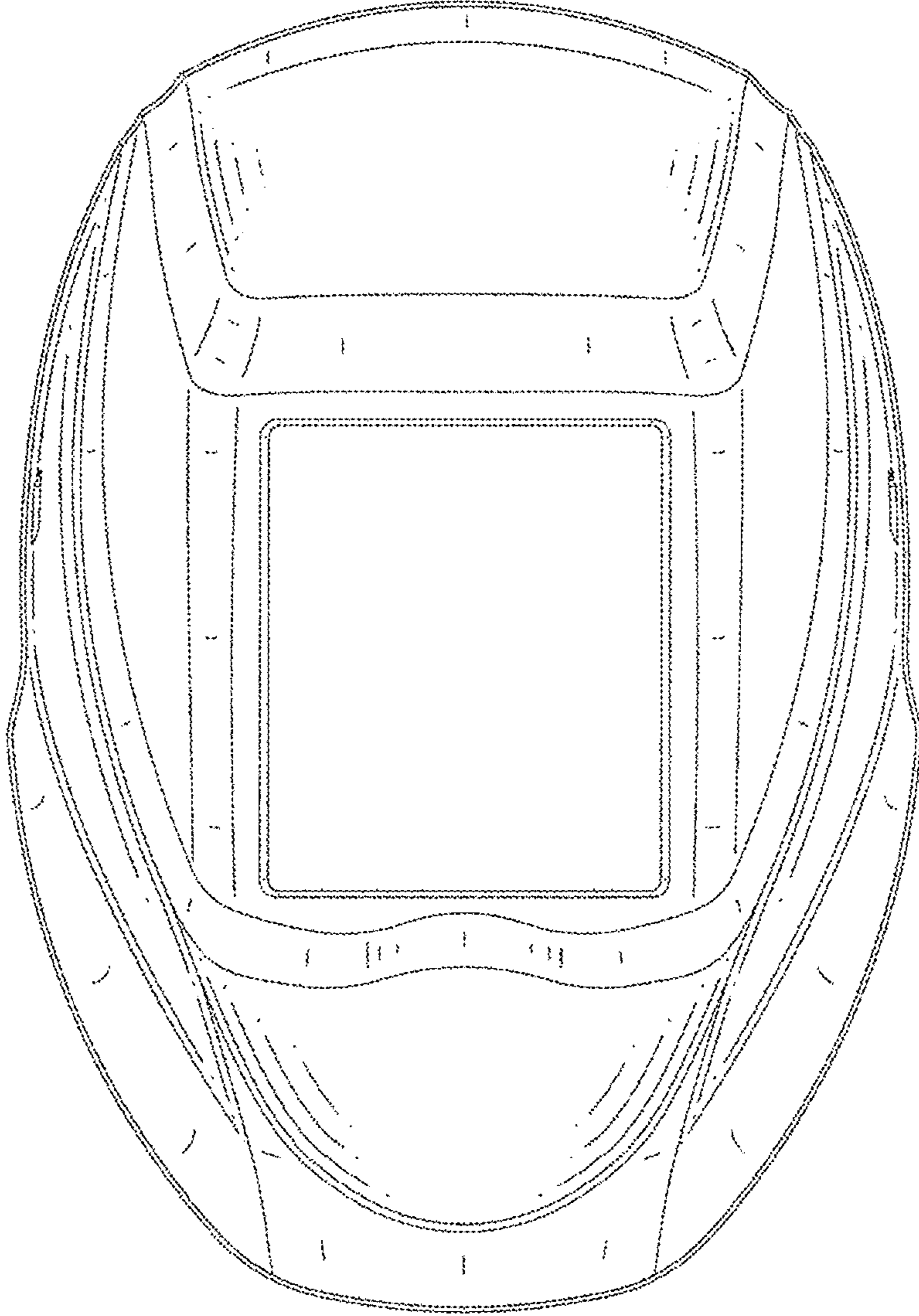


FIG.1

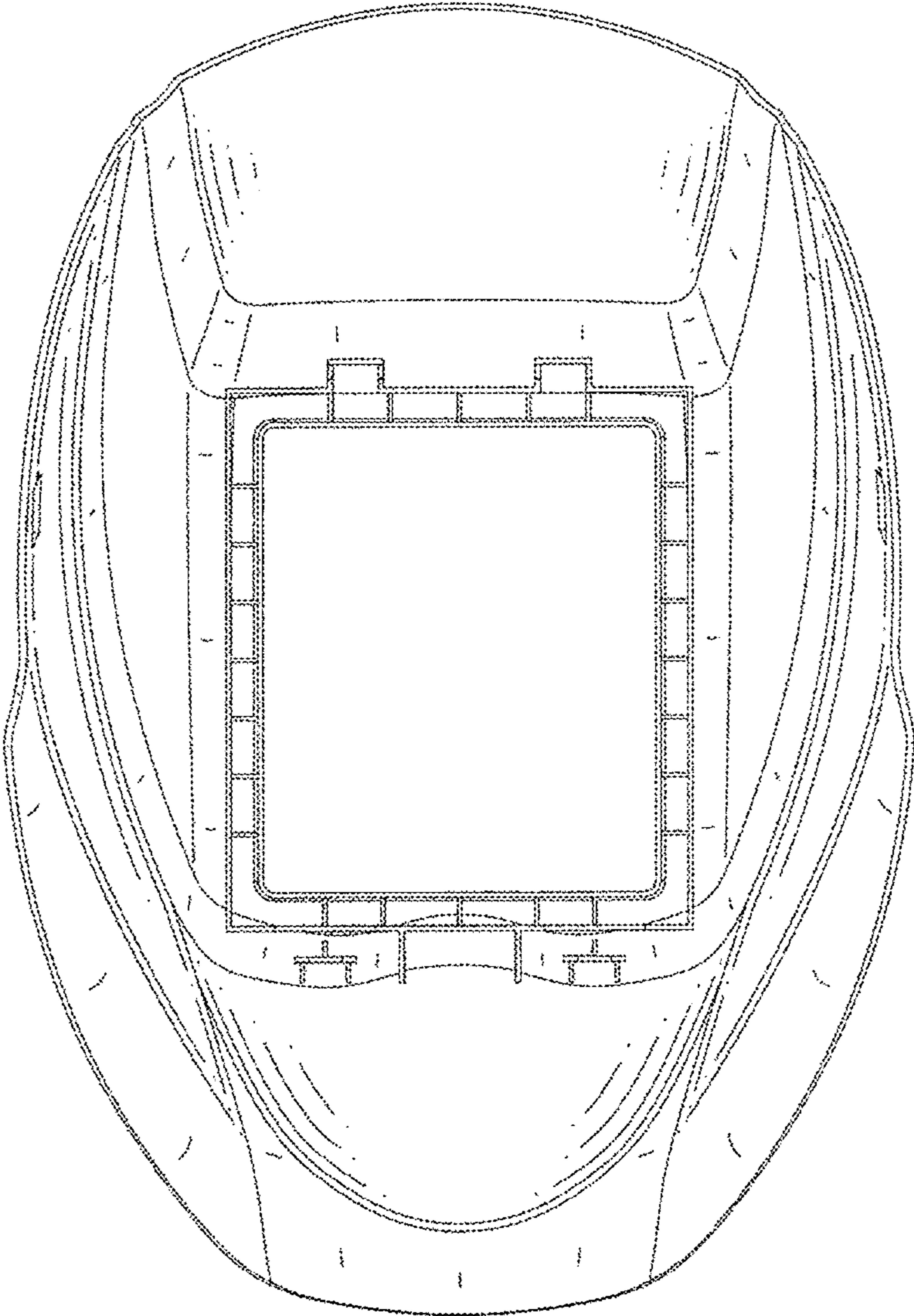


FIG.2

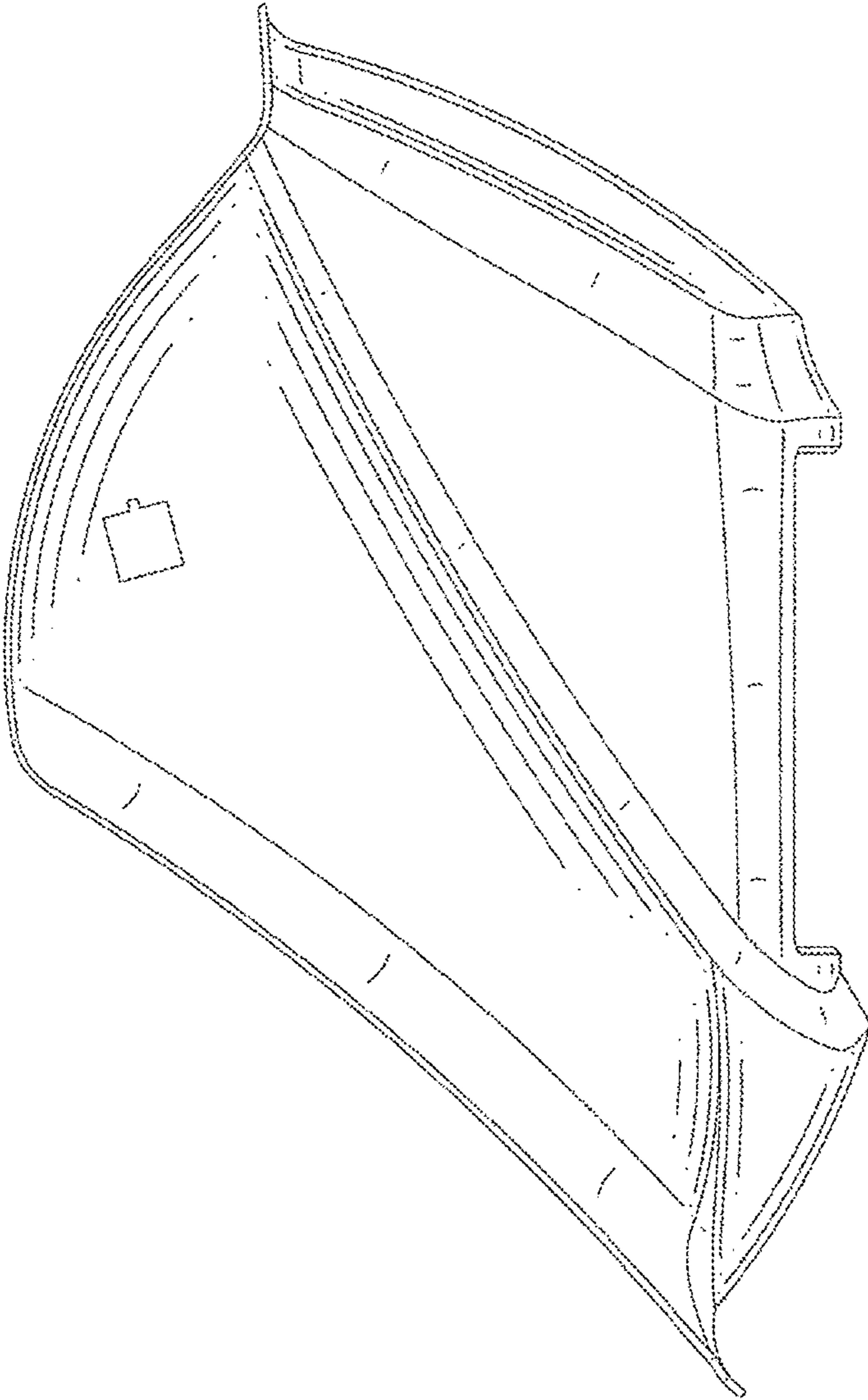


FIG.3

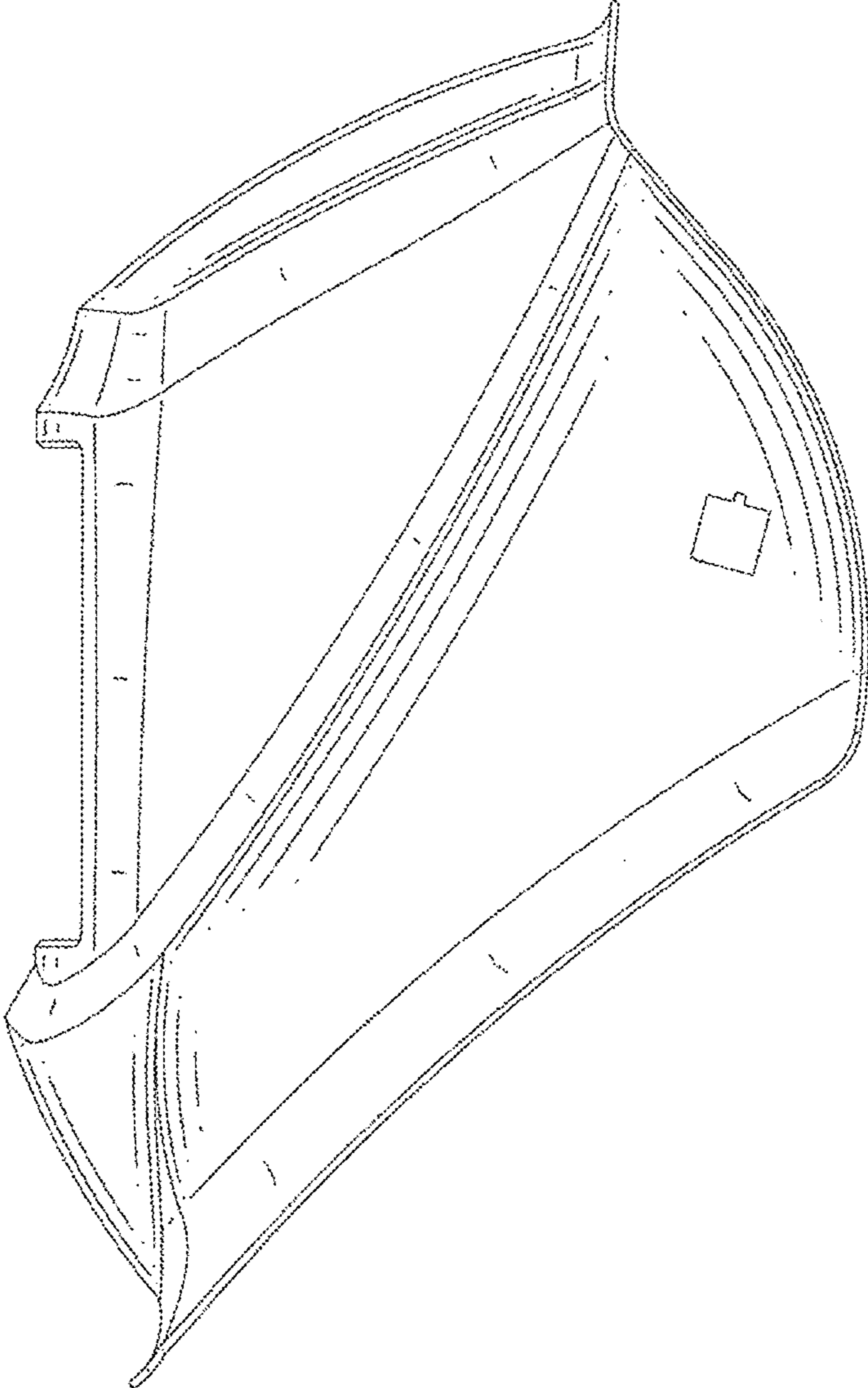


FIG.4

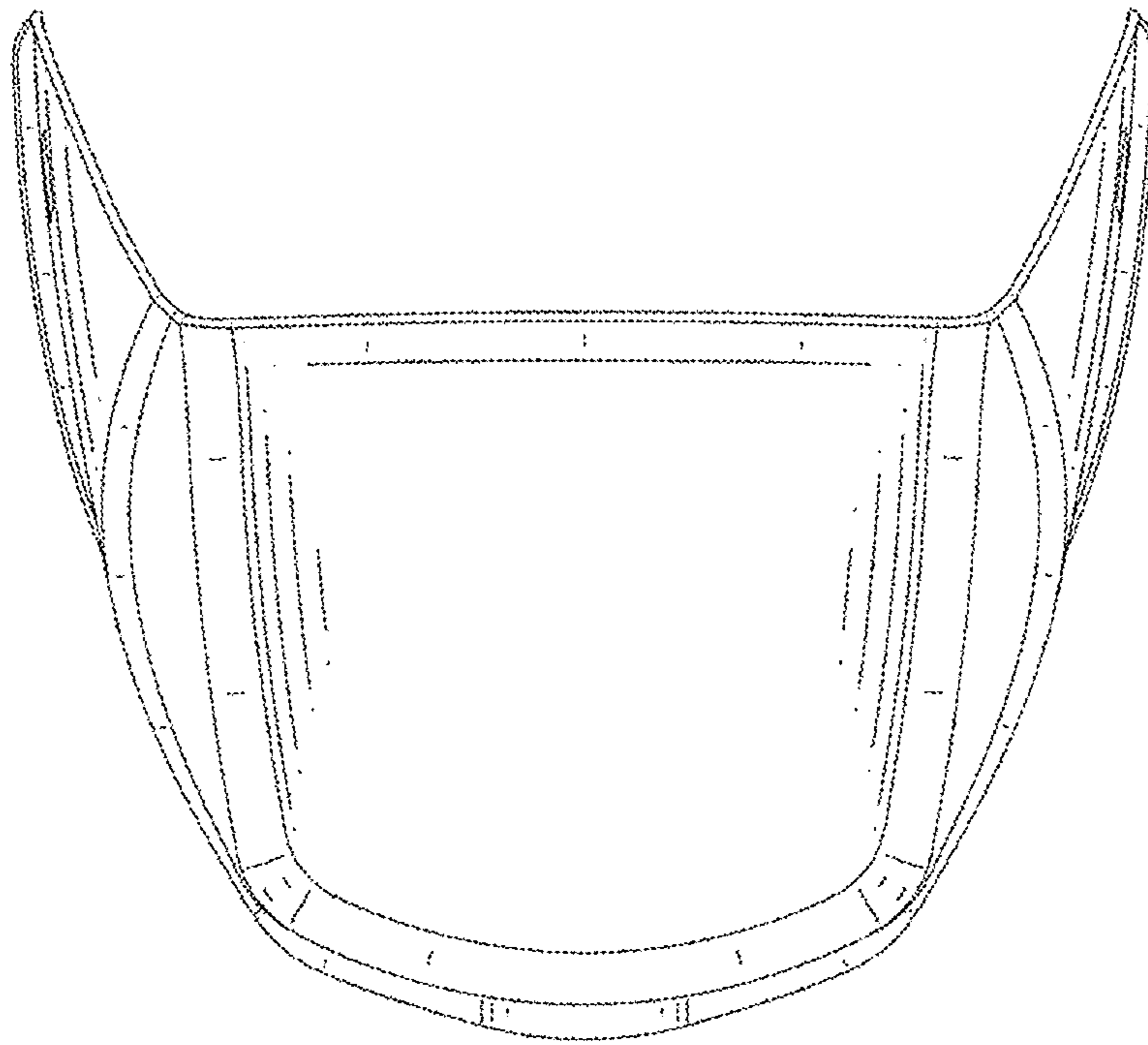


FIG. 5

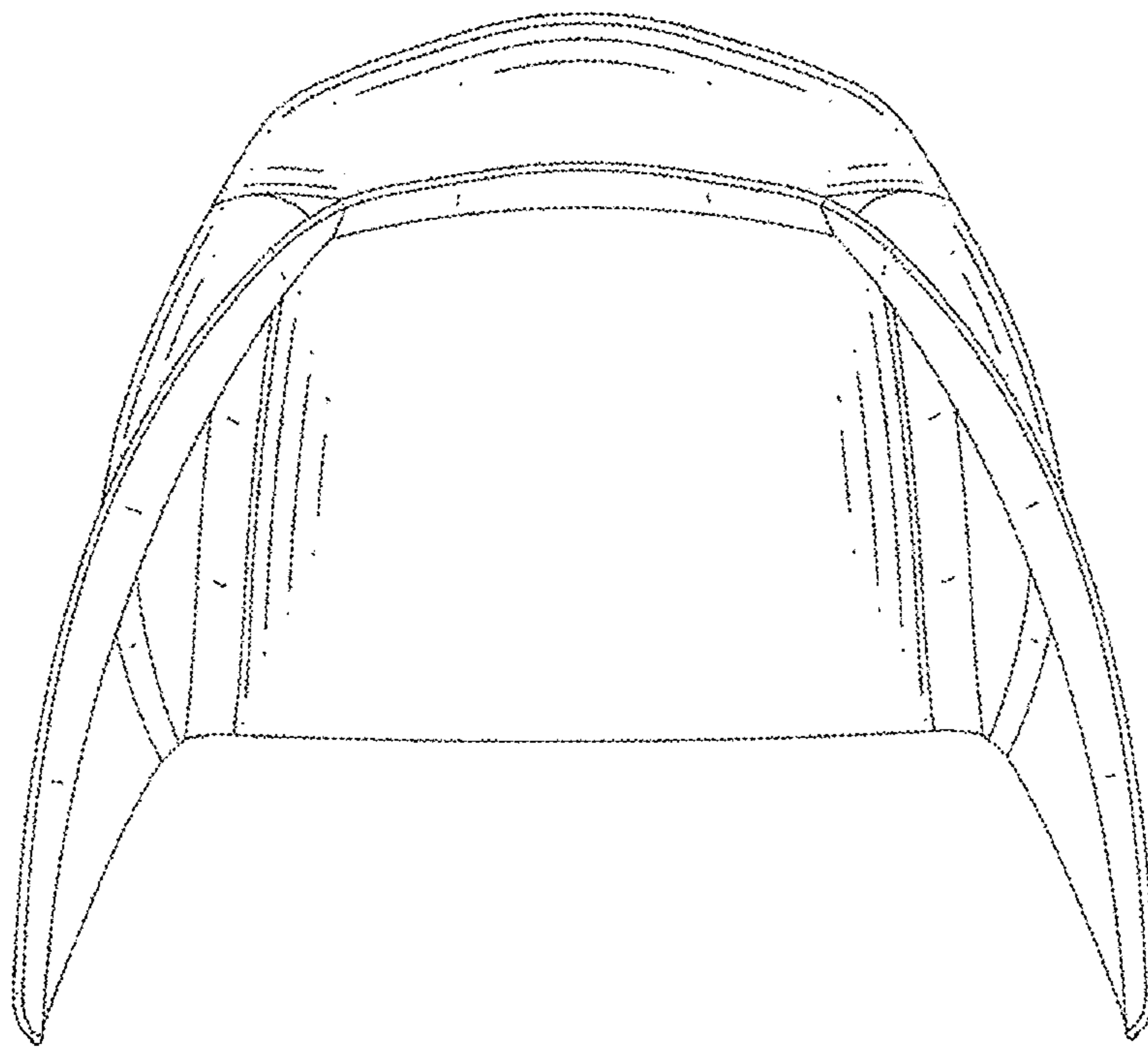


FIG.6

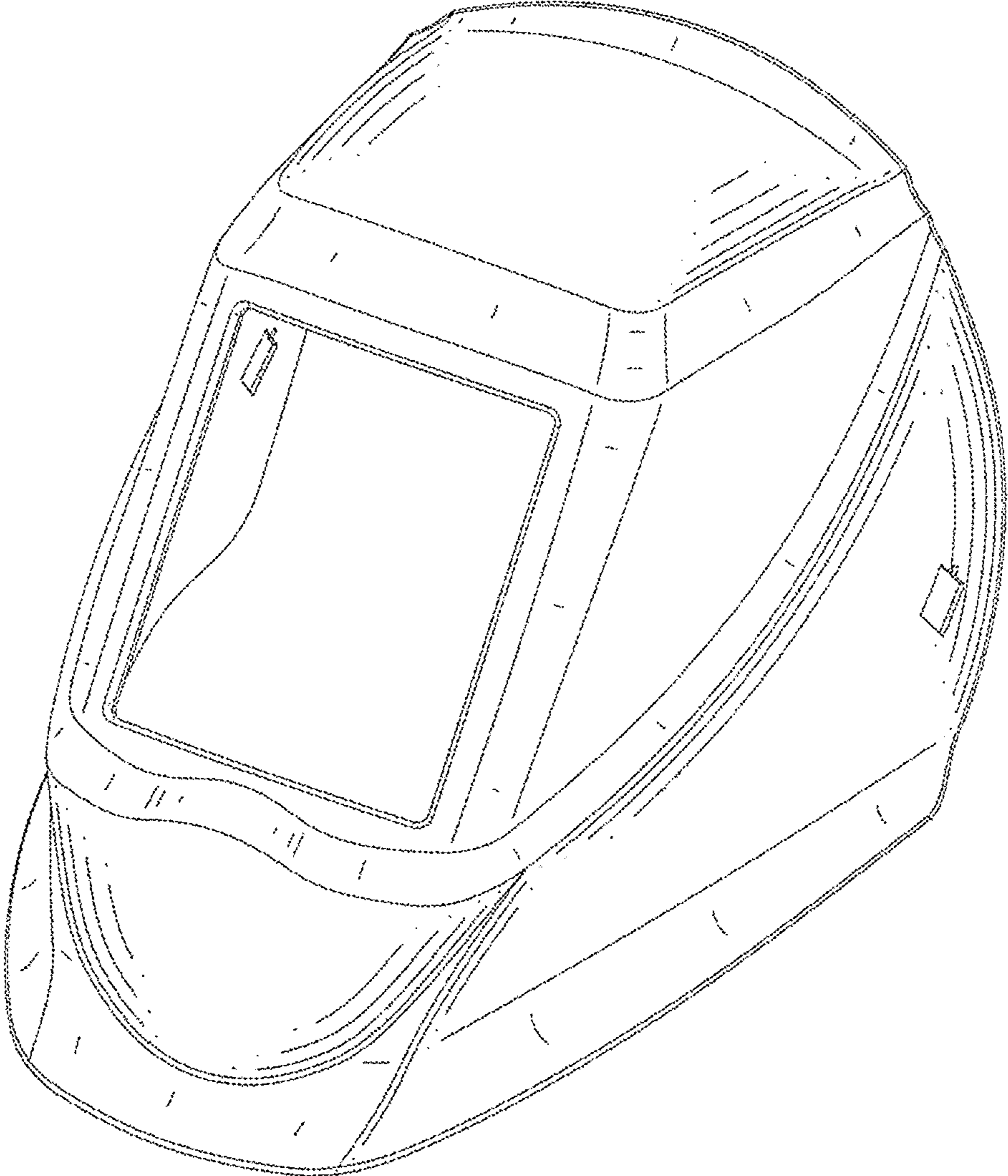


FIG.7

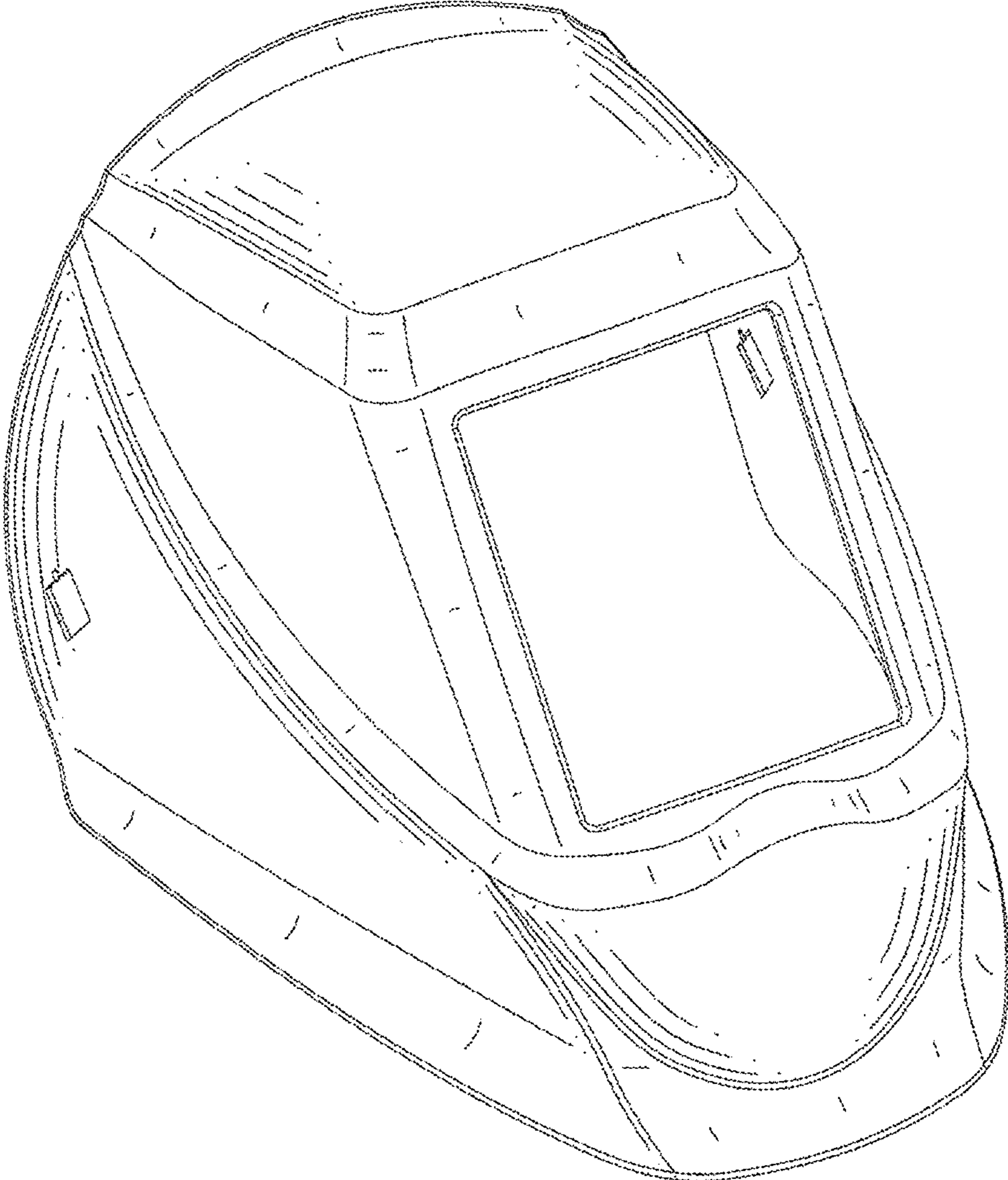


FIG.8

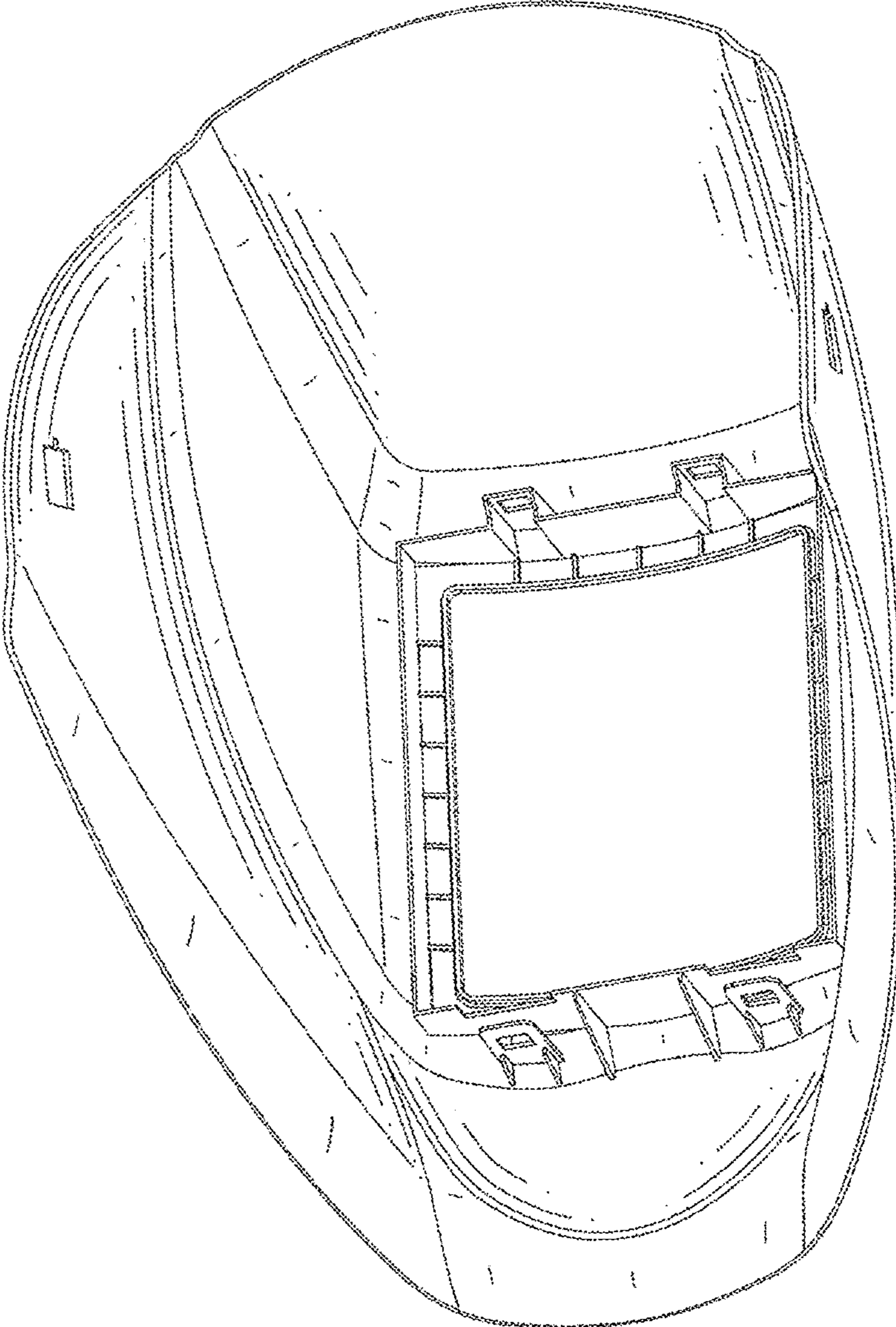


FIG.9

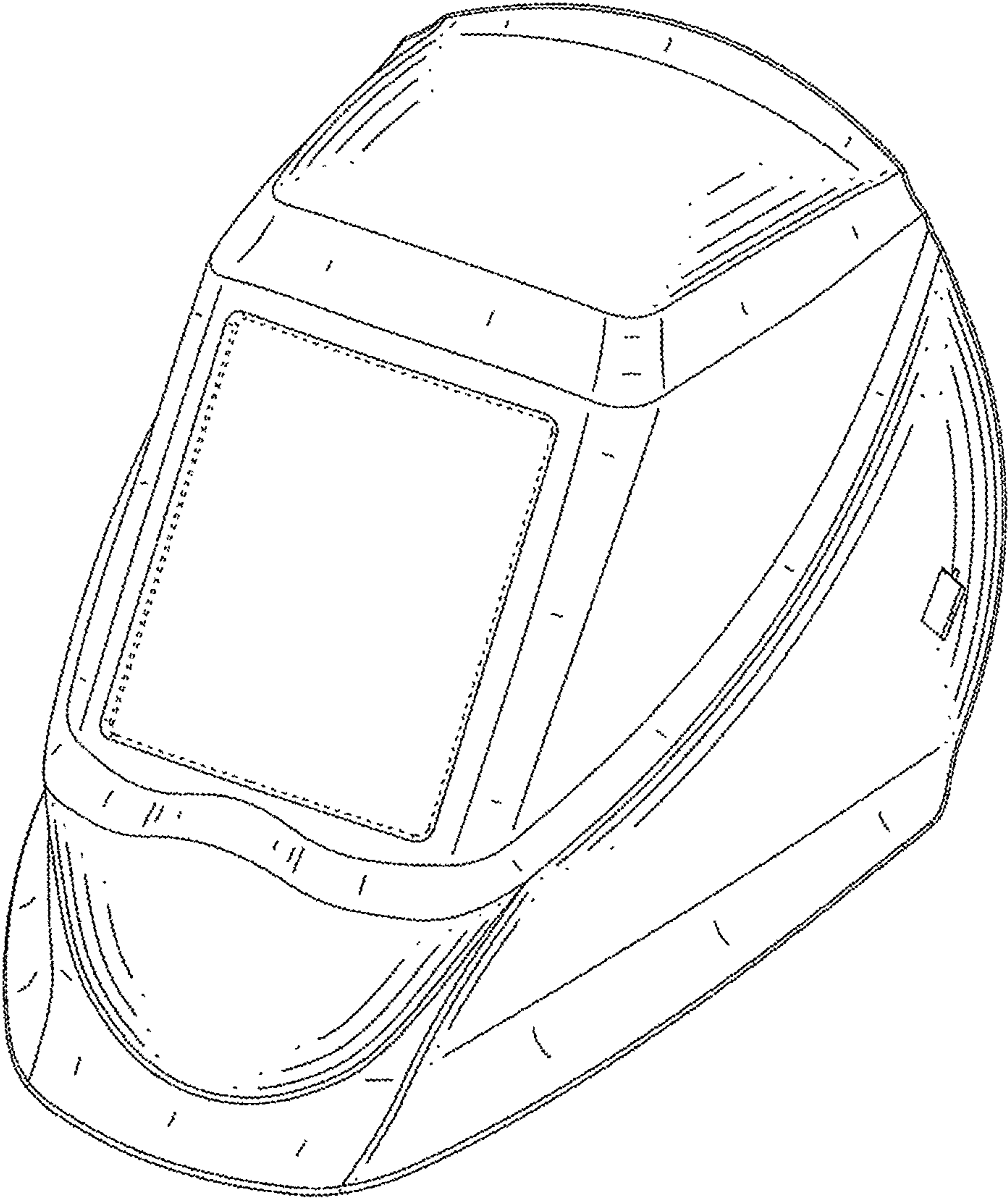


FIG.10