



US00D756567S

(12) **United States Design Patent**
Pires et al.

(10) **Patent No.:** **US D756,567 S**
(45) **Date of Patent:** **** May 17, 2016**

(54) **COSMETIC COMPACT**

(71) Applicant: **Zen Design Solutions Limited,**
Kowloon (HK)

(72) Inventors: **Leo Clifford Pires,** Basking Ridge, NJ
(US); **Roger Hwang,** Maple (CA);
Manisha Kohli, New Delhi (IN)

(73) Assignee: **ZEN DESIGN SOLUTIONS**
LIMITED, Kowloon, Hong Kong (CN)

(**) Term: **14 Years**

(21) Appl. No.: **29/514,244**

(22) Filed: **Jan. 9, 2015**

(51) **LOC (10) Cl.** **28-03**

(52) **U.S. Cl.**
USPC **D28/84**

(58) **Field of Classification Search**
USPC D28/76–84
CPC A45D 33/00–33/003; A45D 33/006;
A45D 33/008; A45D 33/02; A45D 33/025;
A45D 33/06–33/10; A45D 33/16; A45D
33/18; A45D 33/20; A45D 33/22; A45D
33/24; A45D 33/26; A45D 33/28; A45D
40/00; A45D 40/22–40/24; A45D 40/0075
See application file for complete search history.

(56) **References Cited**

U.S. PATENT DOCUMENTS

963,212 A * 7/1910 Davis A45D 33/006
132/294
D319,897 S * 9/1991 Bakic D28/82

D428,209 S * 7/2000 Kudo D28/78
D530,860 S * 10/2006 Funkhouser D28/82
D580,598 S * 11/2008 Yamada D28/82
D581,597 S * 11/2008 Martinez D28/82
D583,100 S * 12/2008 Jackel D28/82
D738,572 S * 9/2015 Kalyanpur D28/82

FOREIGN PATENT DOCUMENTS

WO WO 2015076645 A1 * 5/2015 A45D 33/02
* cited by examiner

Primary Examiner — Jennifer Rivard

(74) *Attorney, Agent, or Firm* — Patterson & Sheridan, LLP

(57) **CLAIM**

The ornamental design for a cosmetic compact, as shown and described.

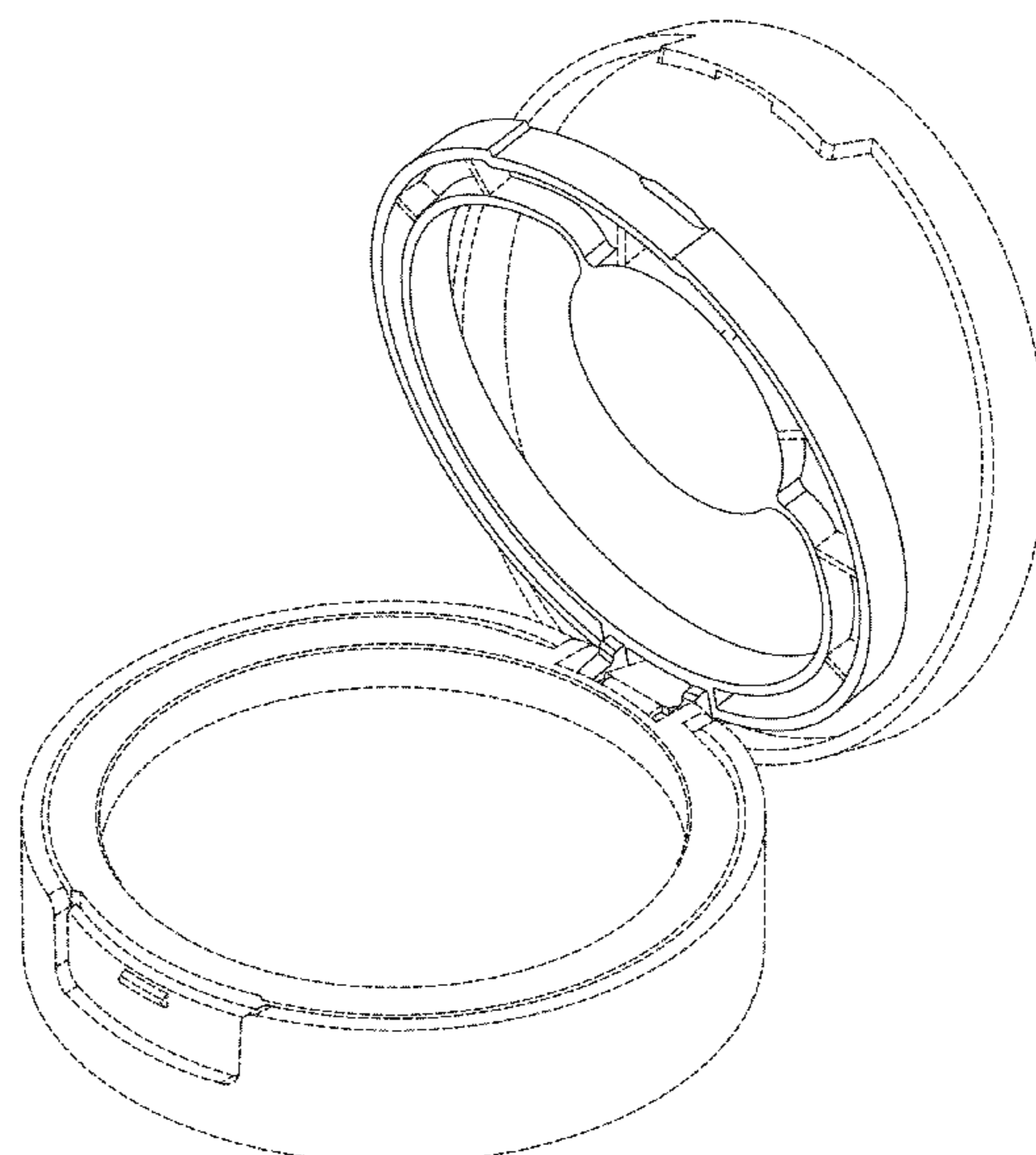
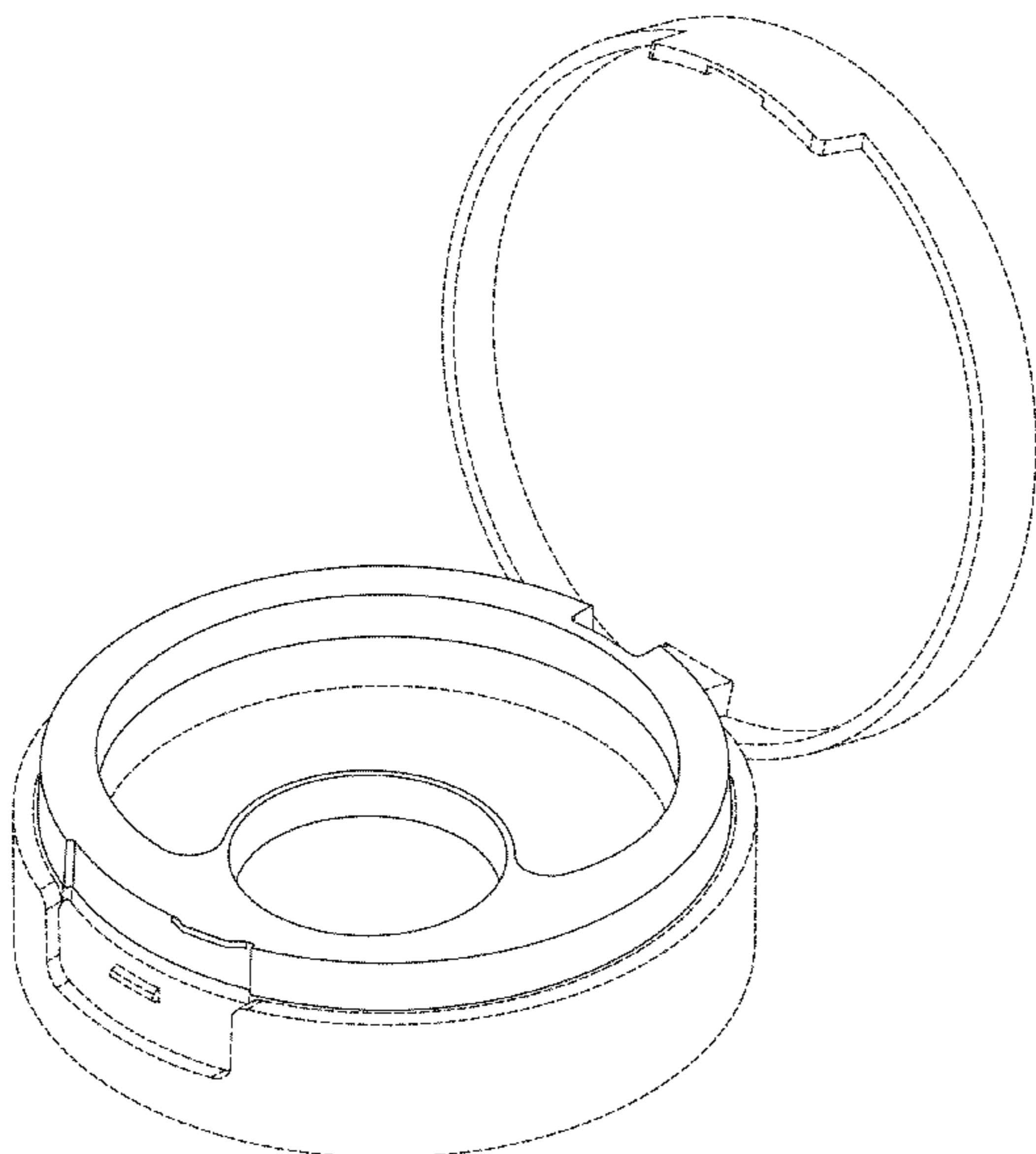
DESCRIPTION

FIG. 1 is a perspective view of a cosmetic compact;
FIG. 2 is a front view of the cosmetic compact of FIG. 1;
FIG. 3 is rear view of the cosmetic compact of FIG. 1;
FIG. 4 is a top view of the cosmetic compact of FIG. 1;
FIG. 5 is a right side view of the cosmetic compact of FIG. 1;
FIG. 6 is a left side view of the cosmetic compact of FIG. 1;
and,
FIG. 7 is a perspective view of a cosmetic compact of FIG. 1
with lifted inner tray.

The present invention generally relates to a new design for a cosmetic compact.

The broken lines shown in the drawings illustrate portions of the cosmetic compact and form no part of the claimed design.

1 Claim, 7 Drawing Sheets



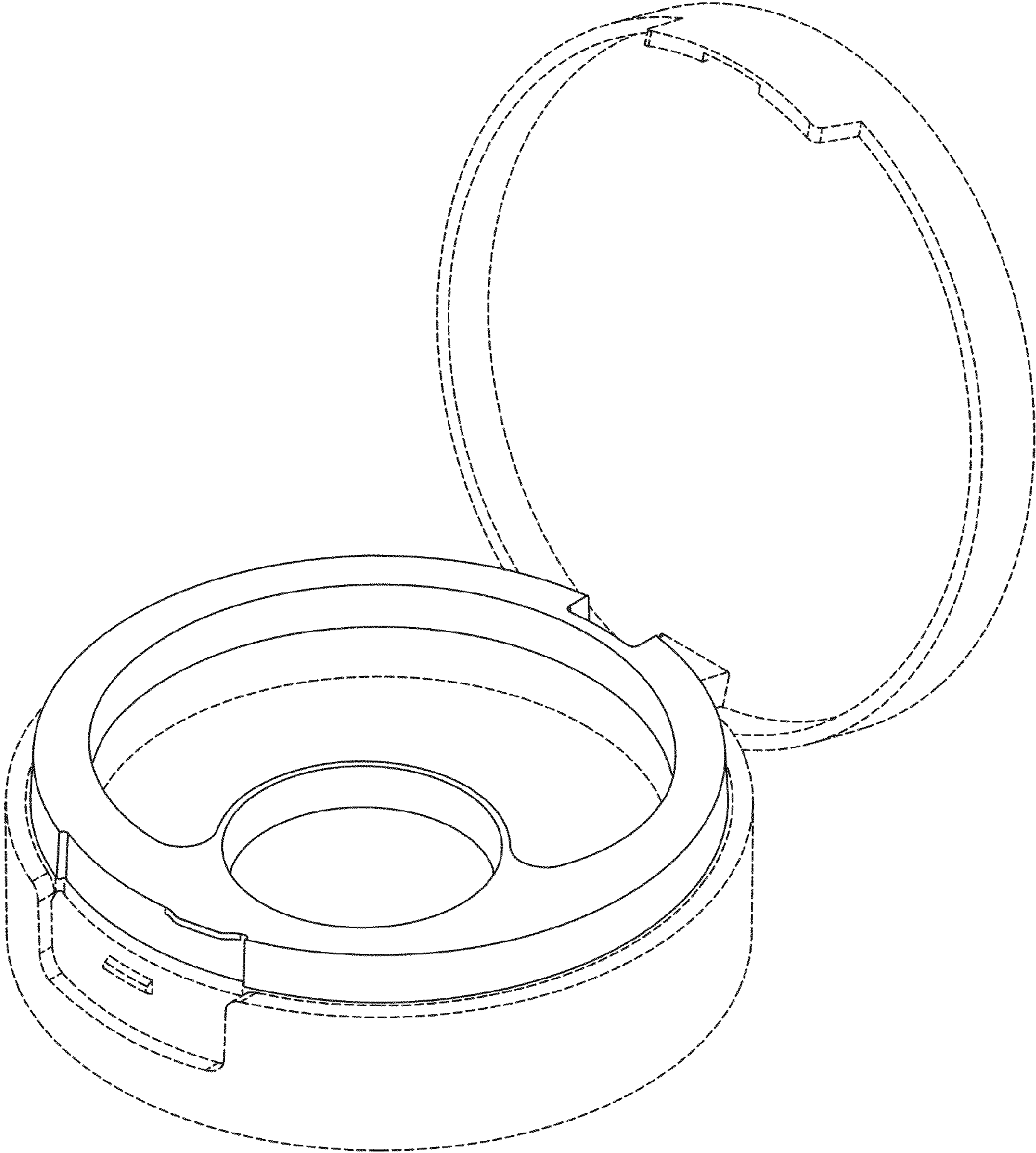


FIG. 1

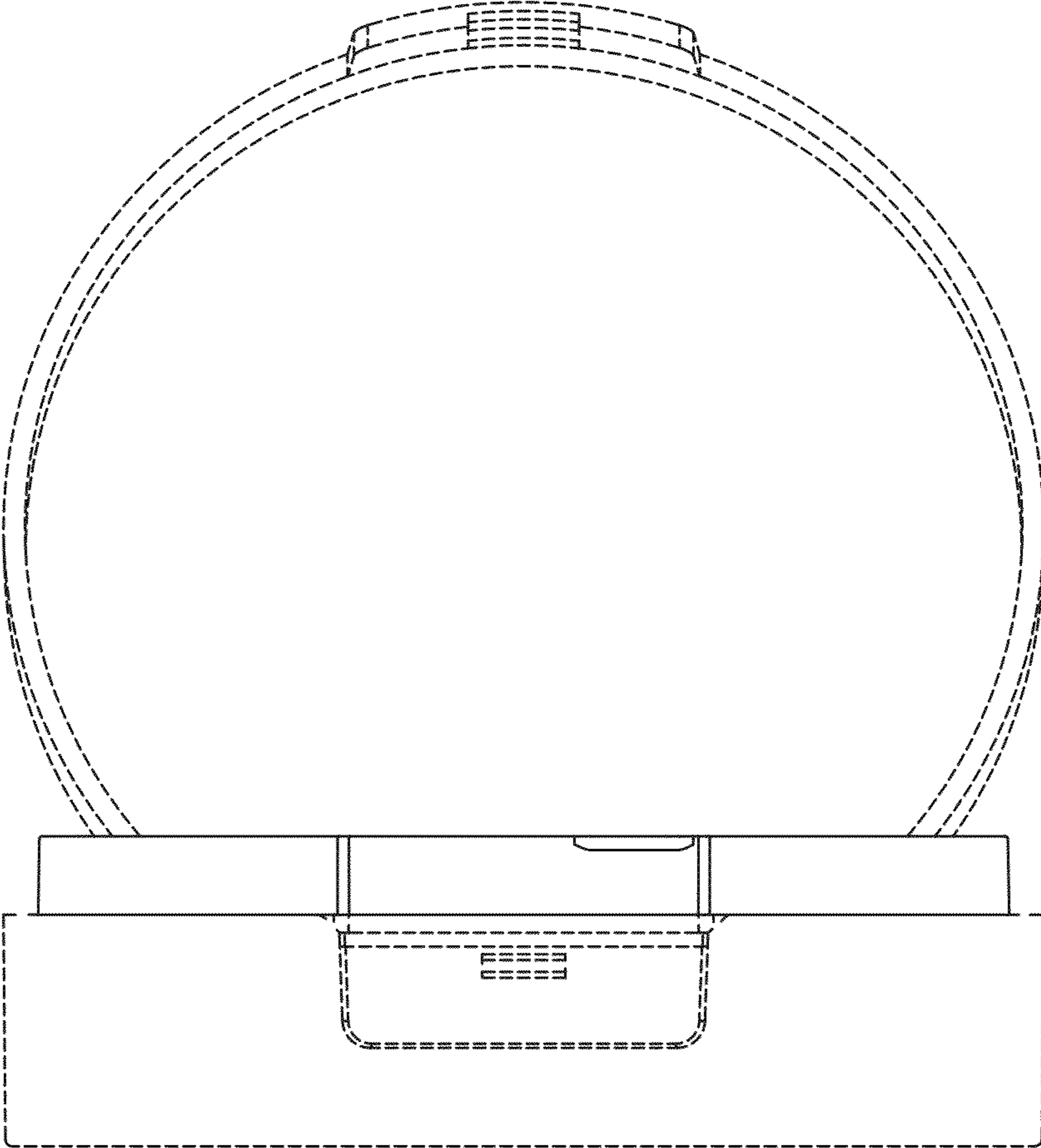


FIG. 2

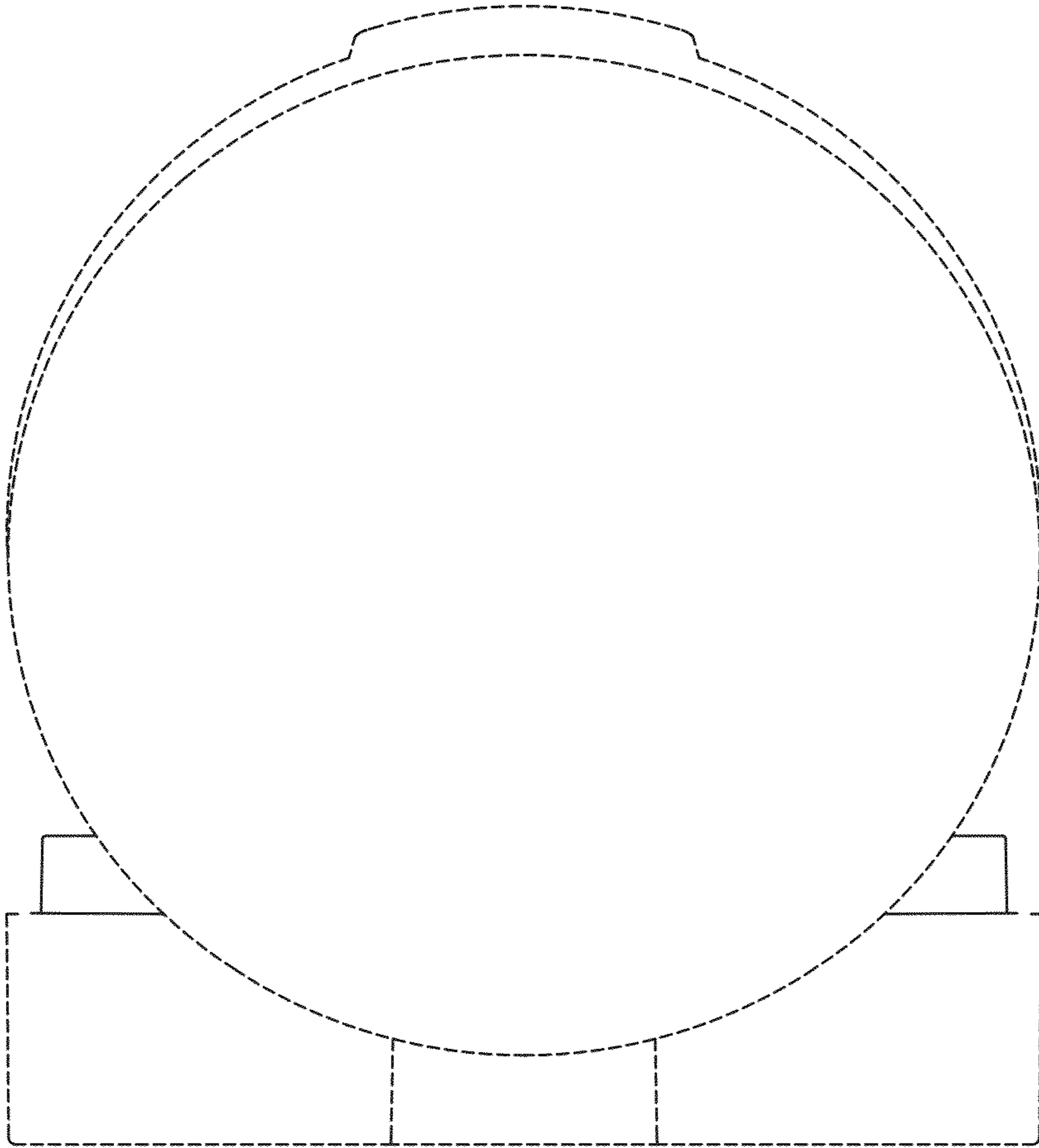


FIG. 3

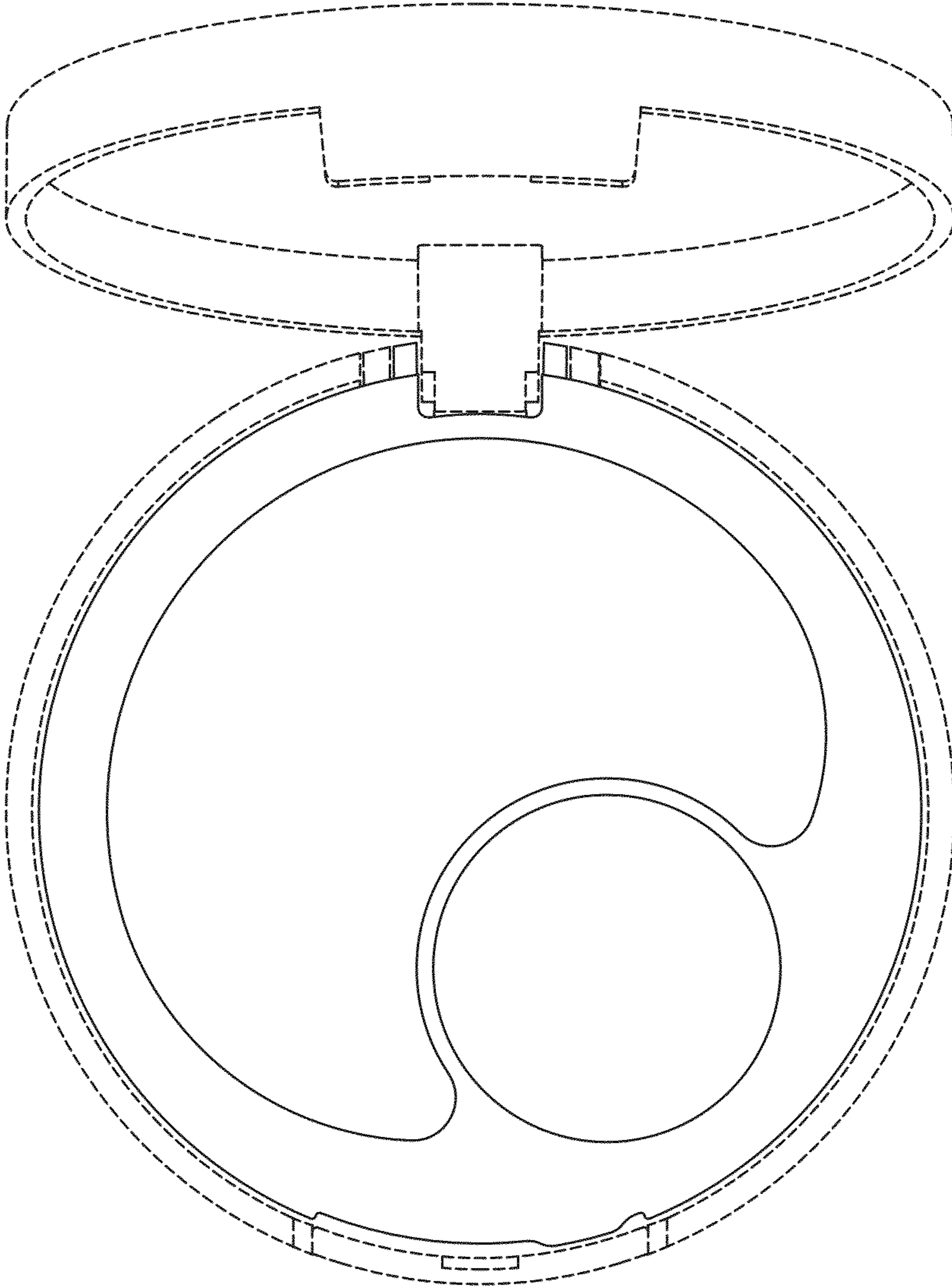


FIG. 4

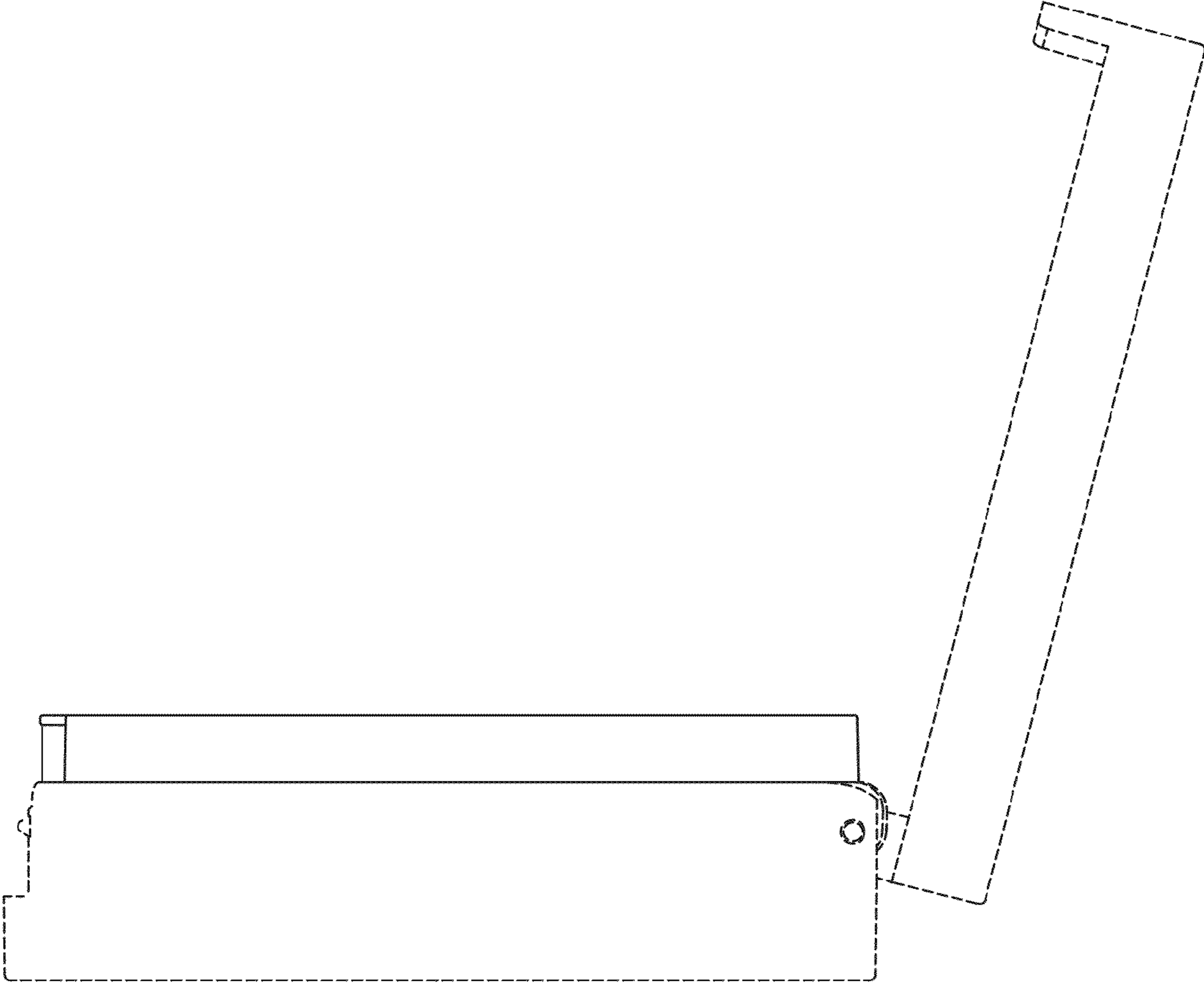


FIG. 5

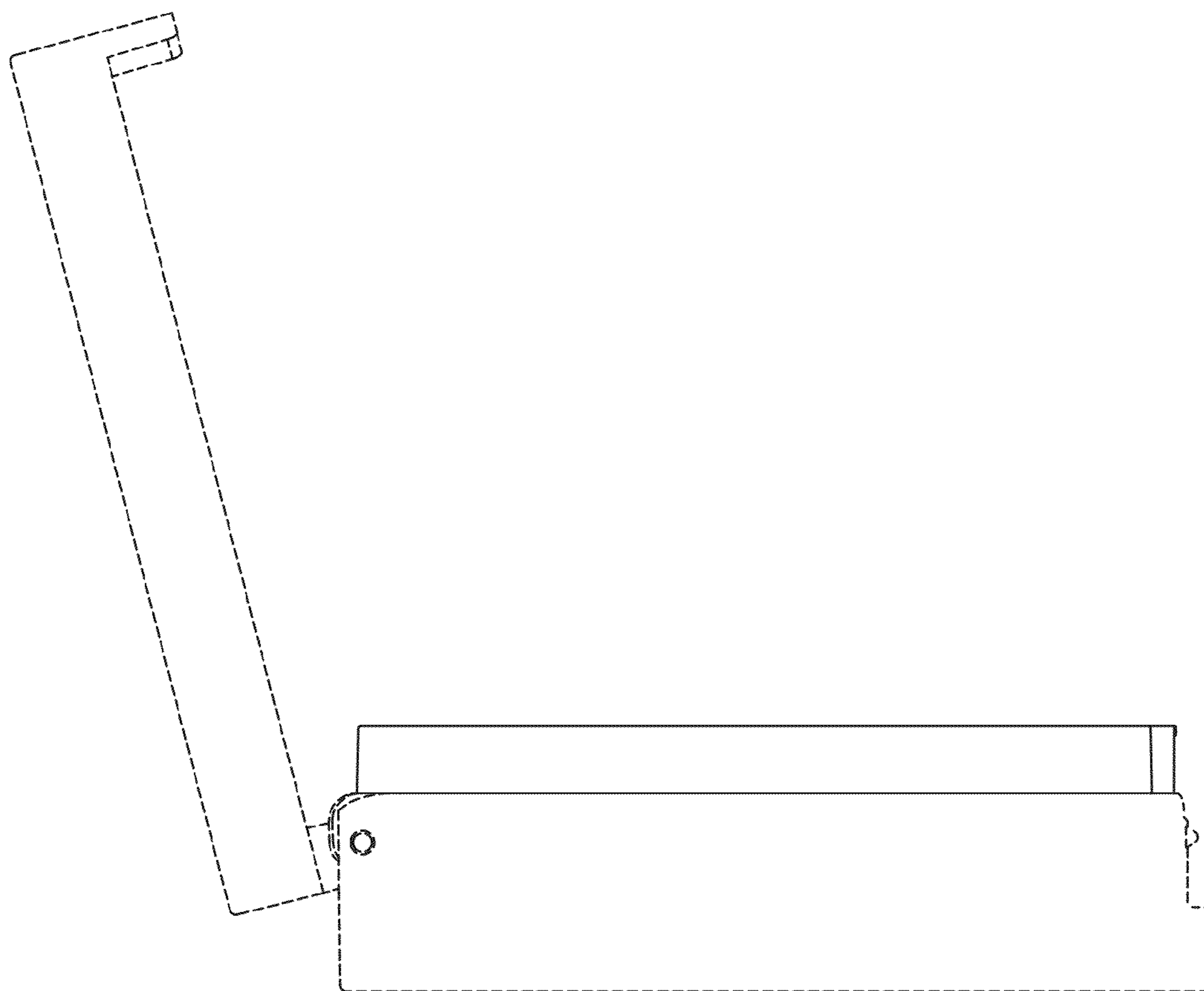


FIG. 6

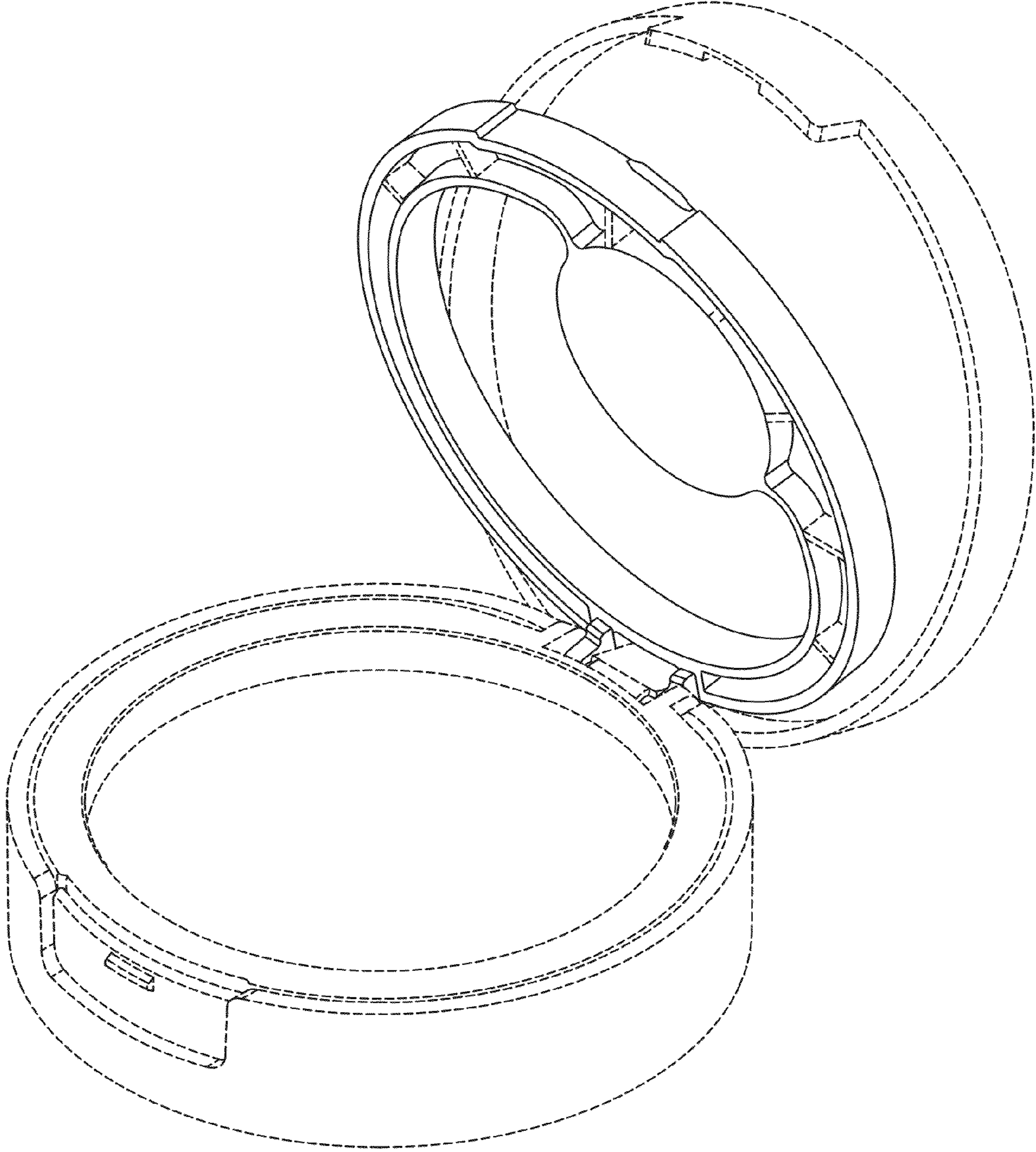


FIG. 7