



US00D756565S

(12) **United States Design Patent**
Andersson

(10) **Patent No.:** **US D756,565 S**
(45) **Date of Patent:** **** May 17, 2016**

(54) **COMB FOR BODY GROOMER**

(71) Applicant: **KONINKLIJKE PHILIPS N.V.**,
Eindhoven (NL)

(72) Inventor: **Jens Peter Kophmann Andersson**,
Amsterdam (NL)

(73) Assignee: **KONINKLIJKE PHILIPS N.V.**,
Eindhoven (NL)

(**) Term: **14 Years**

(21) Appl. No.: **29/515,037**

(22) Filed: **Jan. 20, 2015**

(30) **Foreign Application Priority Data**

Jul. 22, 2014 (EM) 002506584-0002

(51) **LOC (10) Cl.** **28-03**

(52) **U.S. Cl.**
USPC **D28/54**

(58) **Field of Classification Search**
USPC D28/54, 53, 52, 49, 51
CPC .. B26B 19/20; B26B 19/205; B26B 19/3813;
B26B 19/38; B26B 19/3806; B26B 19/3826
See application file for complete search history.

(56) **References Cited**

U.S. PATENT DOCUMENTS

D616,606 S * 5/2010 Adams D28/54
D617,497 S * 6/2010 Goodhead D28/54

D619,301 S * 7/2010 Wattam D28/54
2008/0040935 A1 * 2/2008 Gratz B26B 19/3813
30/539
2008/0184565 A1 * 8/2008 Zoot B26B 19/3813
30/196
2008/0295340 A1 * 12/2008 Carlucci B26B 19/063
30/199
2012/0022556 A1 * 1/2012 Sanchez-Martinez A45D 26/0028
606/133
2014/0047717 A1 * 2/2014 Brada B26B 19/14
30/43.6
2014/0215832 A1 * 8/2014 Julemont B26B 19/20
30/200
2014/0331504 A1 * 11/2014 Michel B26B 19/3813
30/233.5

* cited by examiner

Primary Examiner — Jennifer Rivard

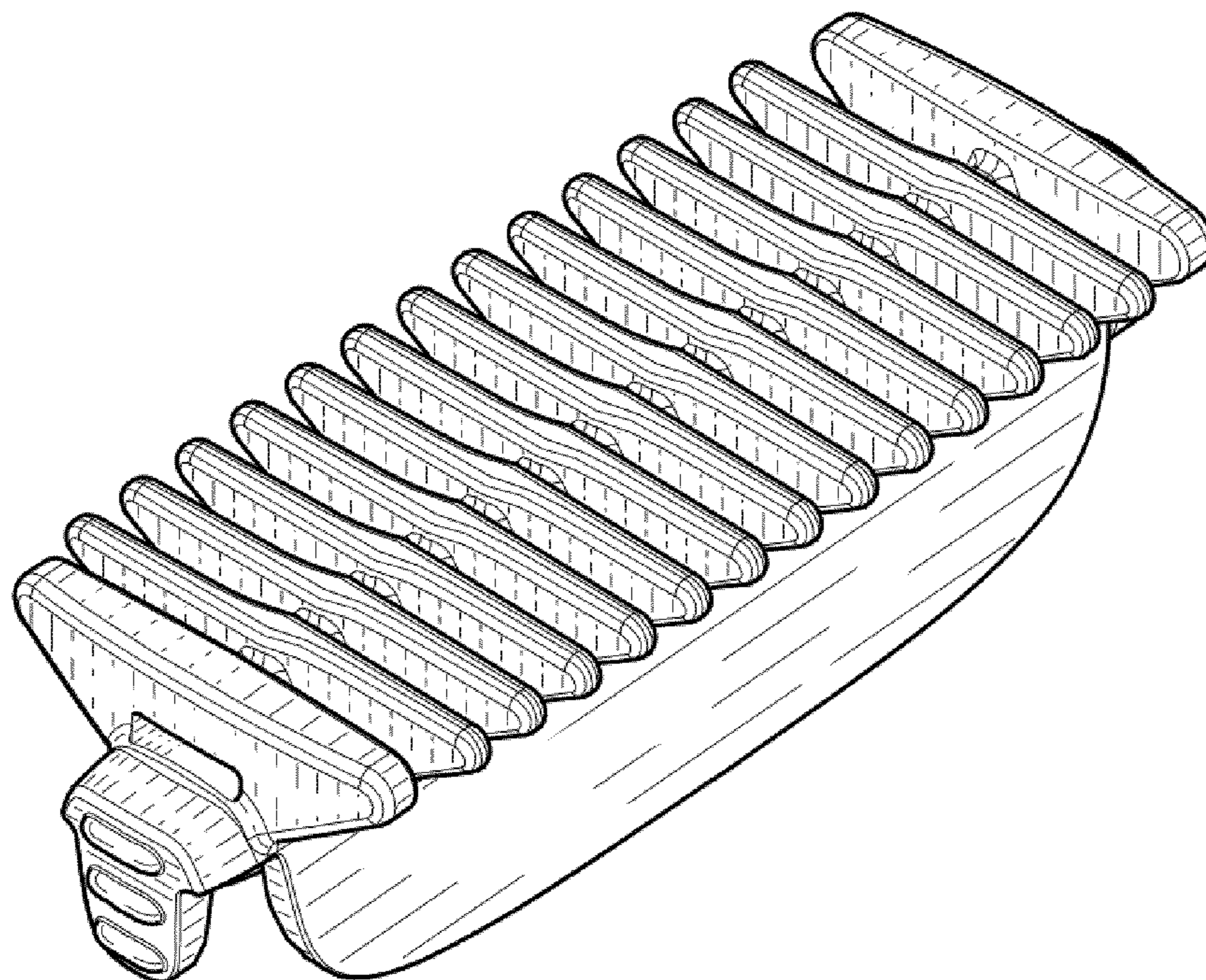
(57) **CLAIM**

The ornamental design for a comb for body groomer, as shown.

DESCRIPTION

FIG. 1 is a perspective view showing my design;
FIG. 2 is a front elevational view thereof;
FIG. 3 is a rear elevational view thereof;
FIG. 4 is a right side elevational view thereof;
FIG. 5 is a left side elevational view thereof;
FIG. 6 is a top plan view thereof; and,
FIG. 7 is a bottom plan view thereof.

1 Claim, 3 Drawing Sheets



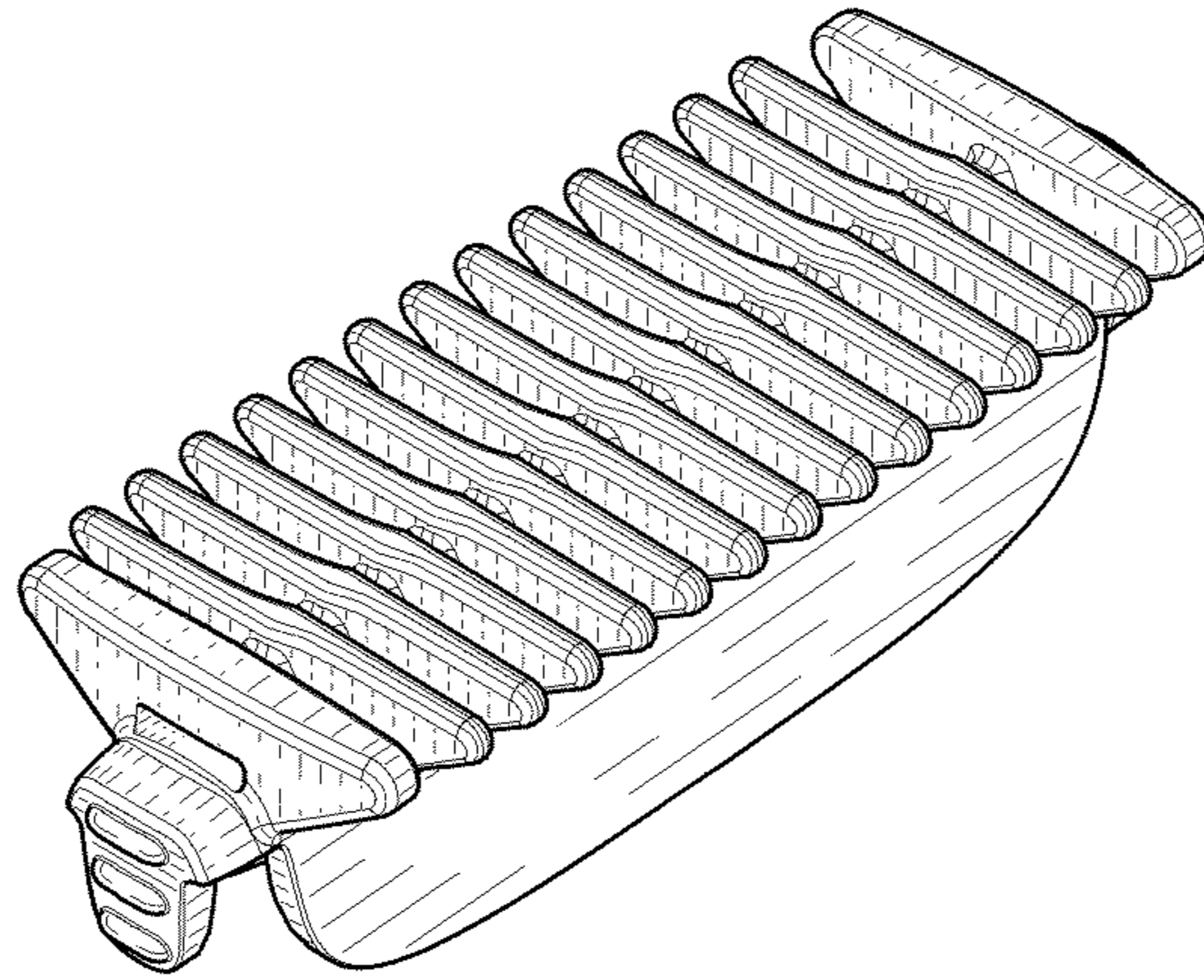


FIG. 1

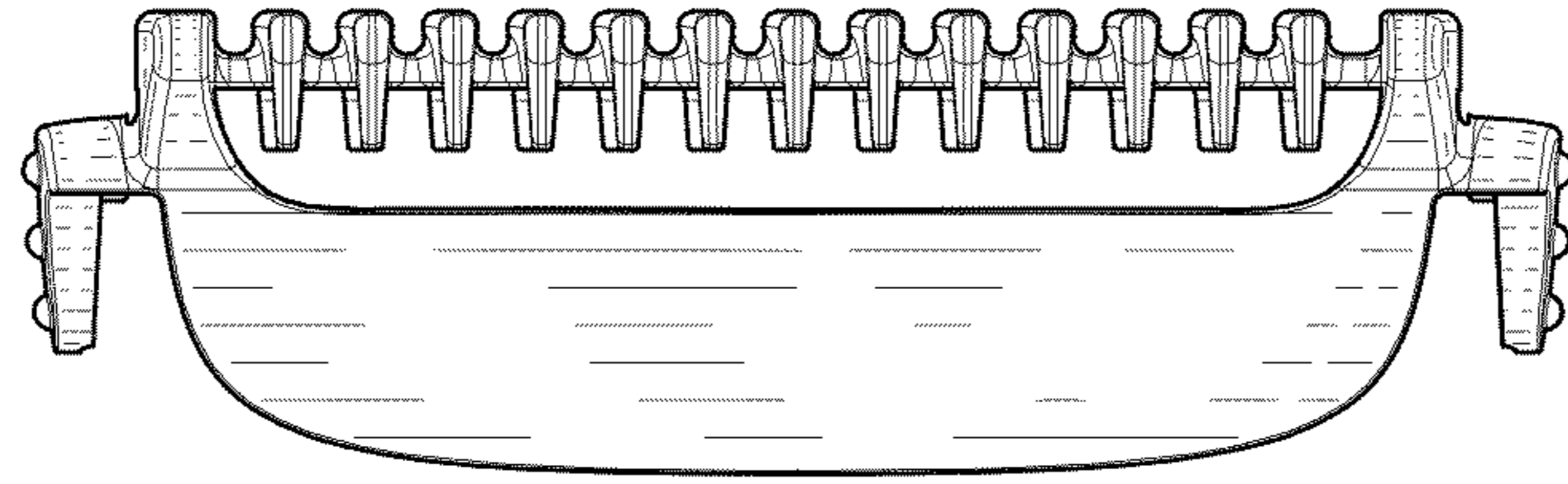


FIG. 2

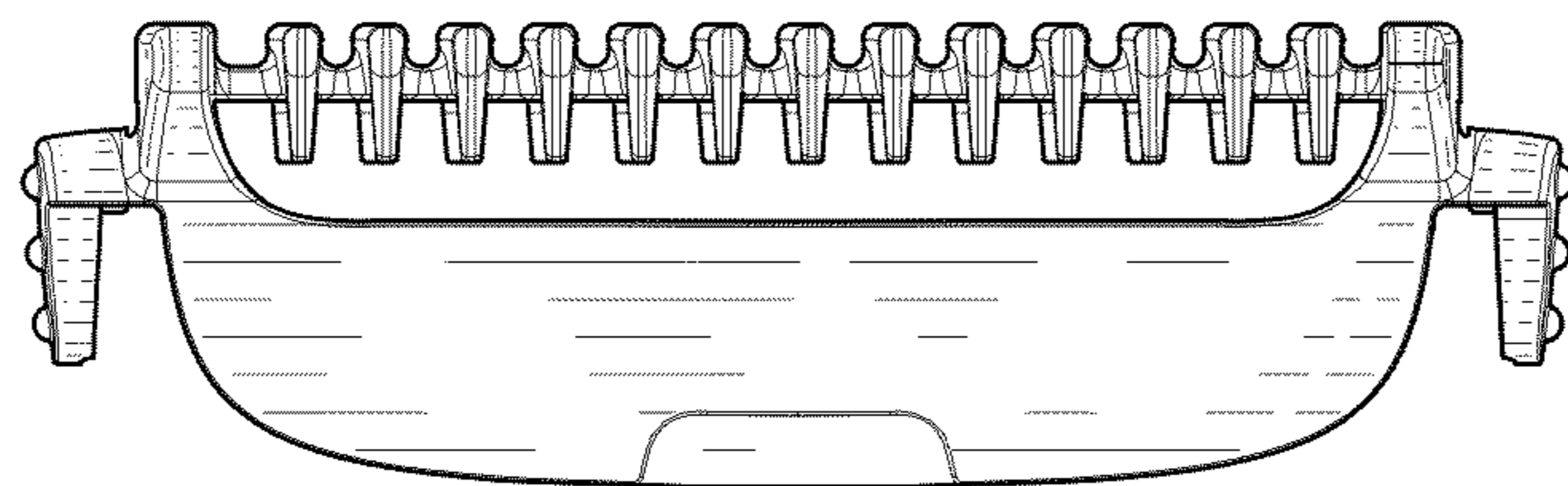


FIG. 3

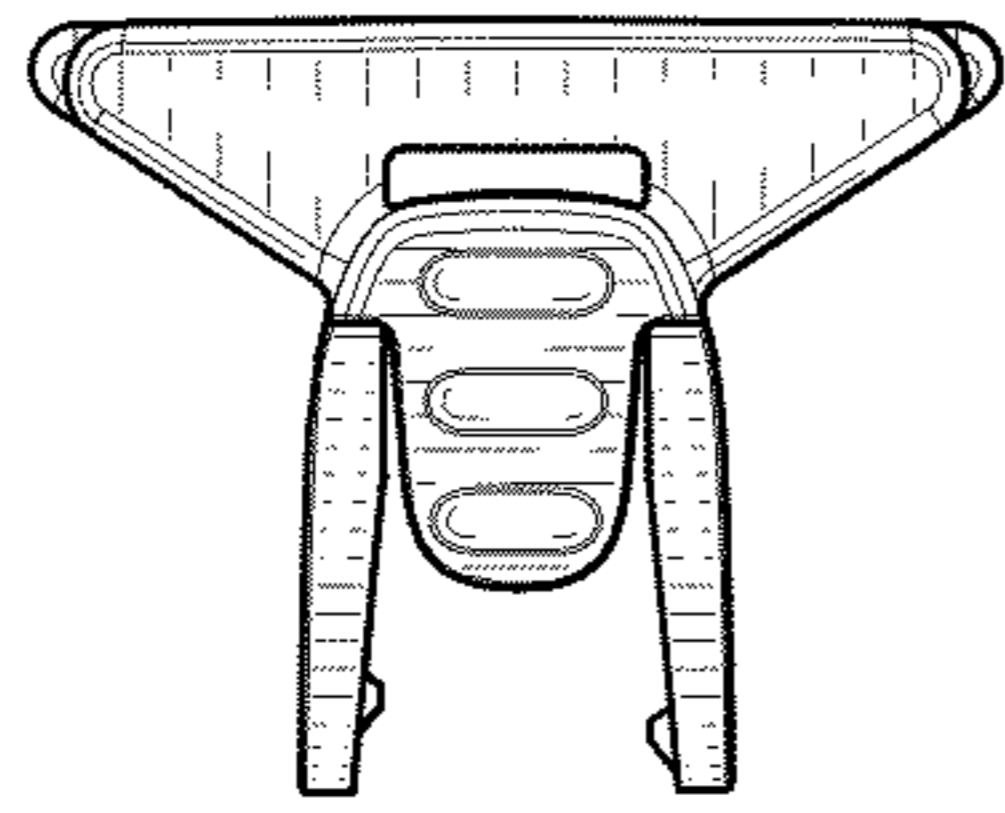


FIG. 4

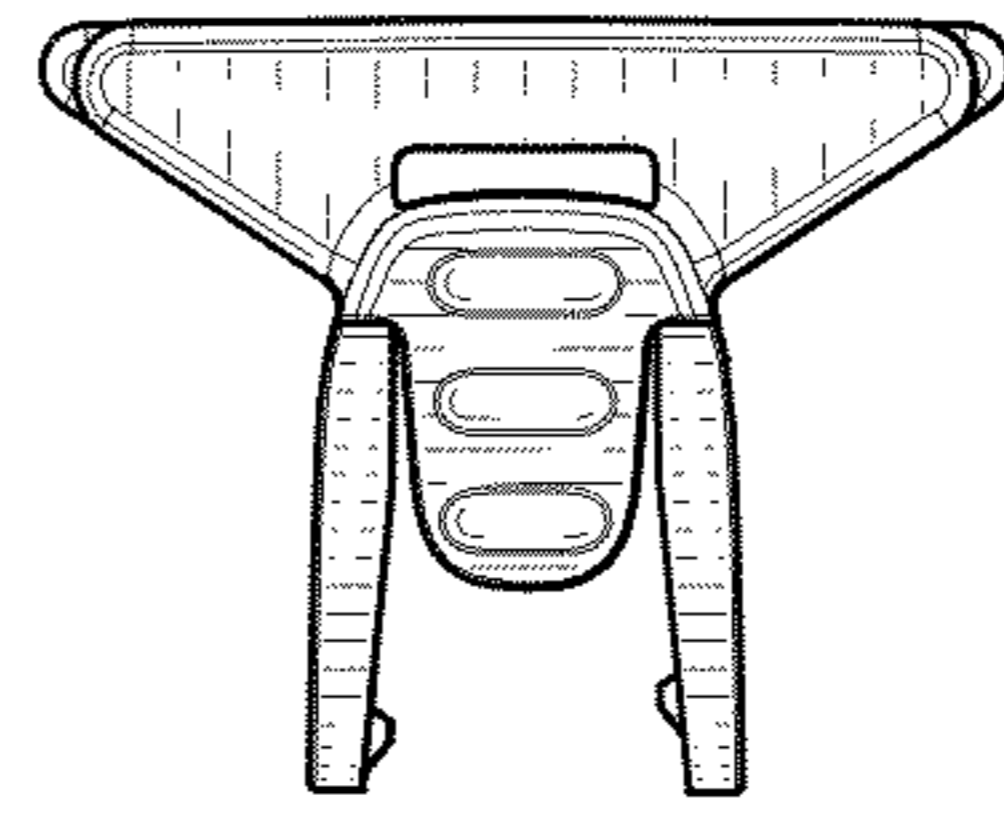


FIG. 5

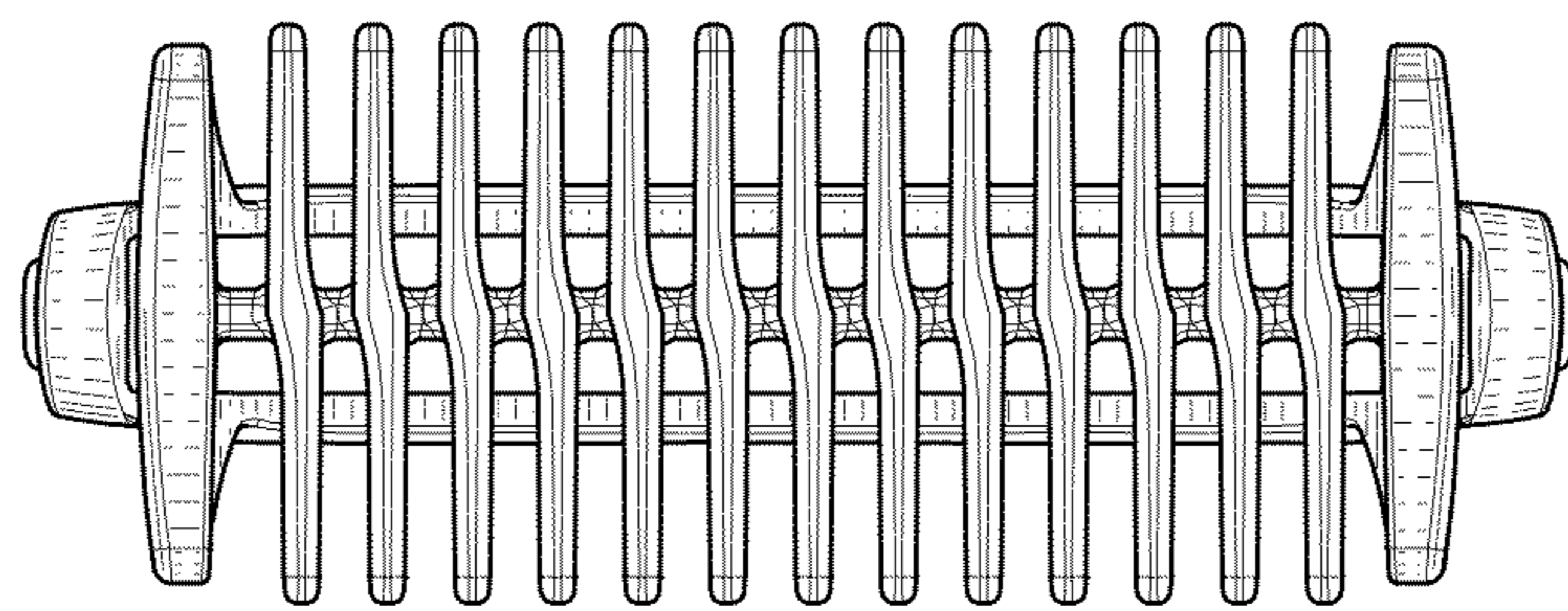


FIG. 6

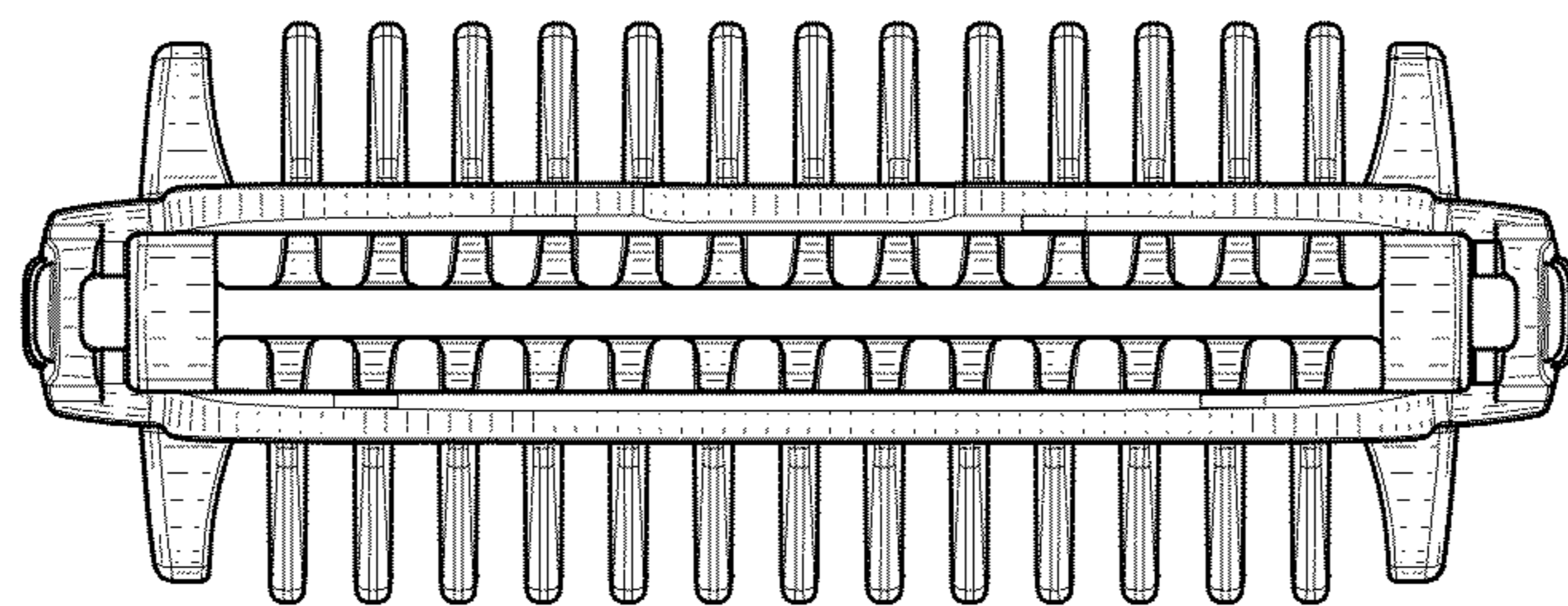


FIG. 7