



US00D756564S

(12) **United States Design Patent**
Yerkic-Husejnovic et al.

(10) **Patent No.:** **US D756,564 S**
(45) **Date of Patent:** **** May 17, 2016**

- (54) **END CAP OF A SMOKING ARTICLE**
- (71) Applicant: **Altria Client Services Inc.**, Richmond, VA (US)
- (72) Inventors: **Berina Yerkic-Husejnovic**, Richmond, VA (US); **Eric Hawes**, Midlothian, VA (US); **David R. Schiff**, Highland Park, NJ (US); **Tony Gatta**, Richmond, VA (US)
- (73) Assignee: **Altria Client Services LLC**, Richmond, VA (US)
- (**) Term: **14 Years**
- (21) Appl. No.: **29/498,129**
- (22) Filed: **Jul. 31, 2014**
- (51) **LOC (10) Cl.** **27-99**
- (52) **U.S. Cl.**
USPC **D27/194**
- (58) **Field of Classification Search**
USPC D27/101, 194; 131/328, 329; D9/682, D9/713, 714
CPC A24F 47/008; A24F 47/02; A61M 15/06
See application file for complete search history.

(56) **References Cited**

U.S. PATENT DOCUMENTS

D646,431 S *	10/2011	Awty	D27/101
D651,338 S *	12/2011	Awty	D27/101
D695,449 S *	12/2013	Tucker	D27/101
D722,196 S *	2/2015	Tucker	D27/101
D724,262 S *	3/2015	Hearn	D27/101
D728,852 S *	5/2015	Hearn	D27/101
D738,036 S *	9/2015	Tucker	D27/101
D738,566 S *	9/2015	Tucker	D27/101
D738,567 S *	9/2015	Tucker	D27/101
D739,597 S *	9/2015	Lavanchoy	D27/100
D743,097 S *	11/2015	Tucker	D27/101
2015/0328415 A1 *	11/2015	Minskoff	A61M 15/0001 128/202.21
2015/0330549 A1 *	11/2015	Drane	F16L 55/115 138/89
2015/0332379 A1 *	11/2015	Alarcon	G06Q 30/0635 705/26.81

2015/0333542 A1 *	11/2015	Alarcon	H02J 7/007 131/328
2015/0335070 A1 *	11/2015	Sears	H05B 1/0288 131/328
2015/0335071 A1 *	11/2015	Brinkley	F22B 1/284 131/328
2015/0345658 A1 *	12/2015	Madden	F16K 35/10 137/15.18

* cited by examiner

Primary Examiner — Rosemary K Tarca

Assistant Examiner — Yolanda Robinson

(74) *Attorney, Agent, or Firm* — Harness, Dickey & Pierce, P.L.C.

(57) **CLAIM**

The ornamental design for an end cap of a smoking article, as shown and described.

DESCRIPTION

FIG. 1 is a right side perspective view of an end cap of a smoking article showing a first embodiment of my new design.

FIG. 2 is left side perspective view thereof.

FIG. 3 is a front elevational view thereof.

FIG. 4 is a rear elevational view thereof.

FIG. 5 is a top plan view thereof.

FIG. 6 is a bottom plan view thereof.

FIG. 7 is a left side elevational view thereof.

FIG. 8 is a right side elevational view thereof.

FIG. 9 is a right side perspective view of an end cap of a smoking article showing a second embodiment of my new design.

FIG. 10 is left side perspective view thereof.

FIG. 11 is a front elevational view thereof.

FIG. 12 is a rear elevational view thereof.

FIG. 13 is a top plan view thereof.

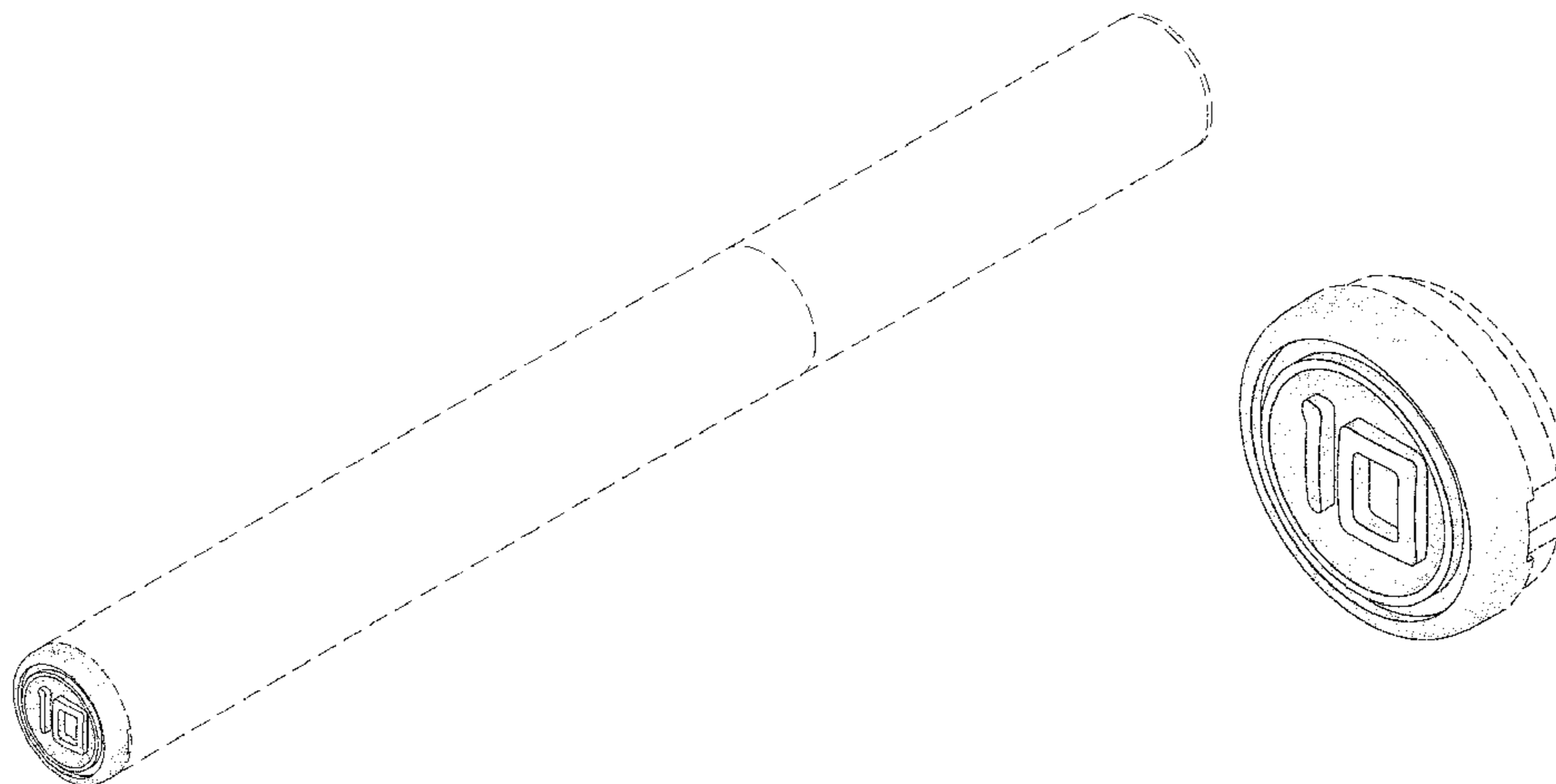
FIG. 14 is a bottom plan view thereof.

FIG. 15 is a left side elevational view thereof; and,

FIG. 16 is a right side elevational view thereof.

The broken line showing is for illustrative purposes only and forms no part of the claimed design.

1 Claim, 6 Drawing Sheets



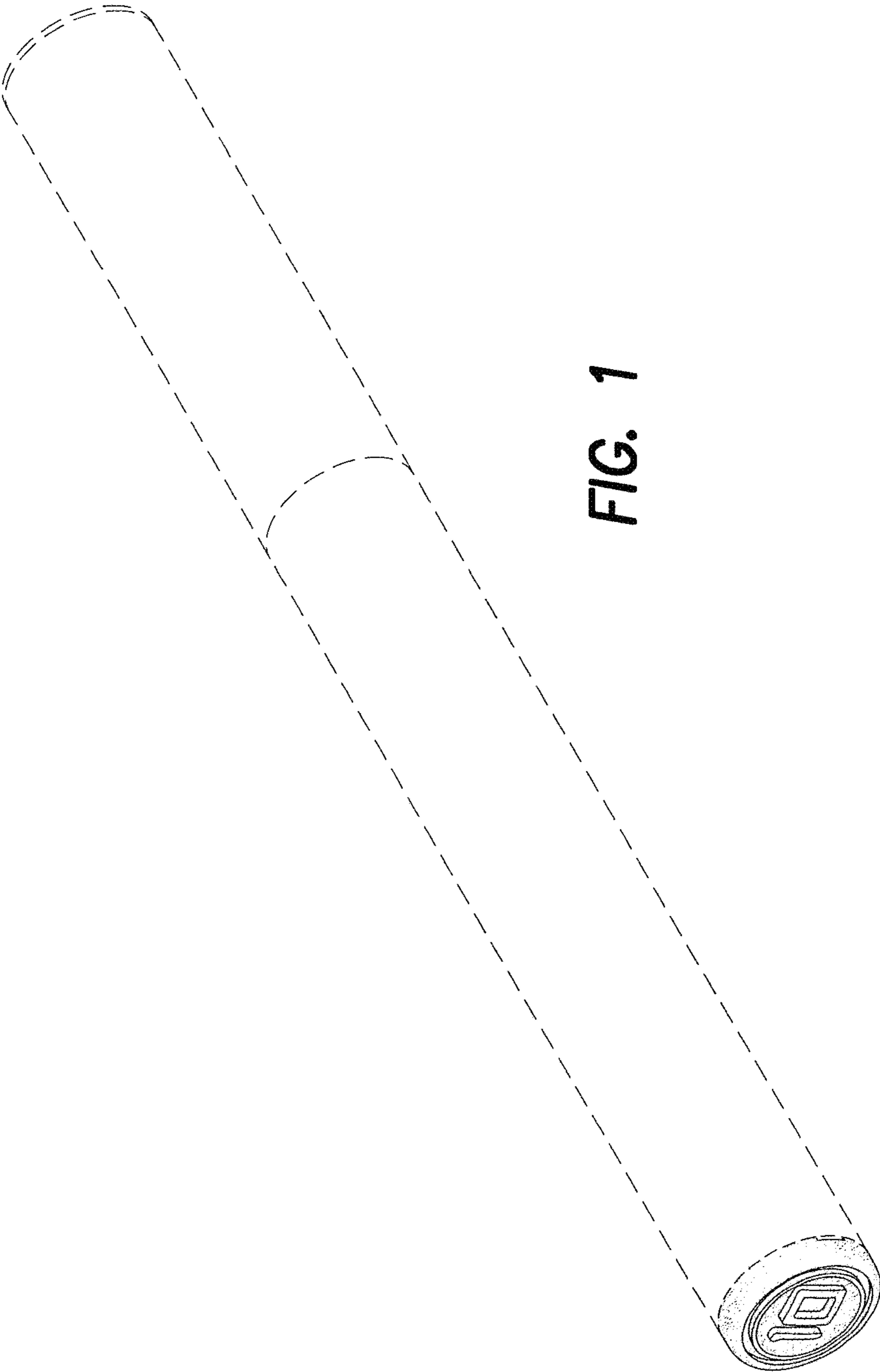


FIG. 1

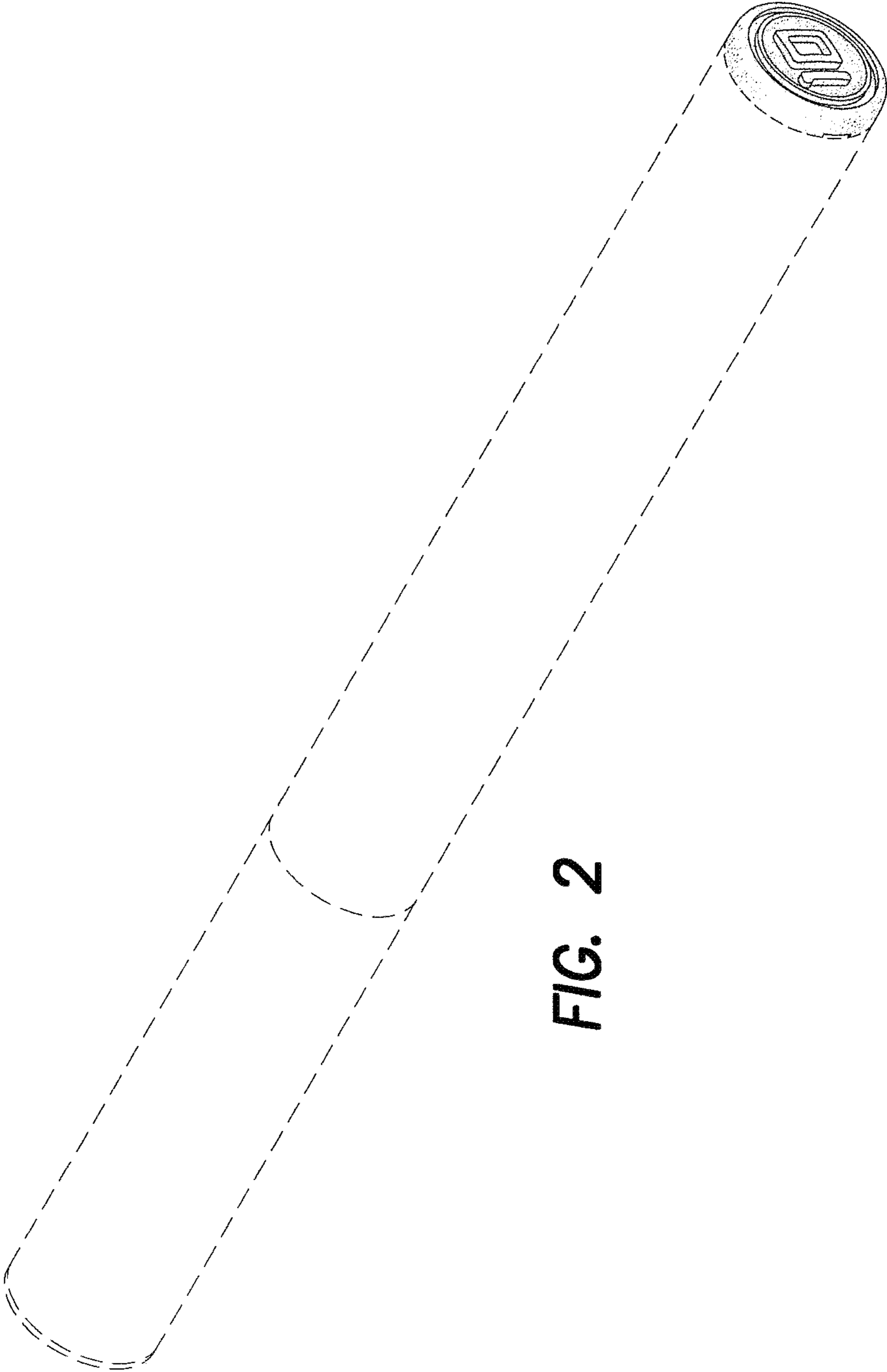


FIG. 2

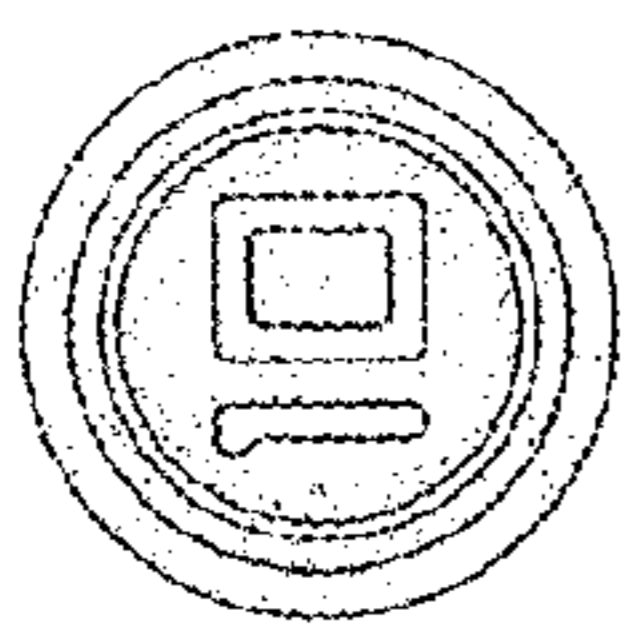


FIG. 3

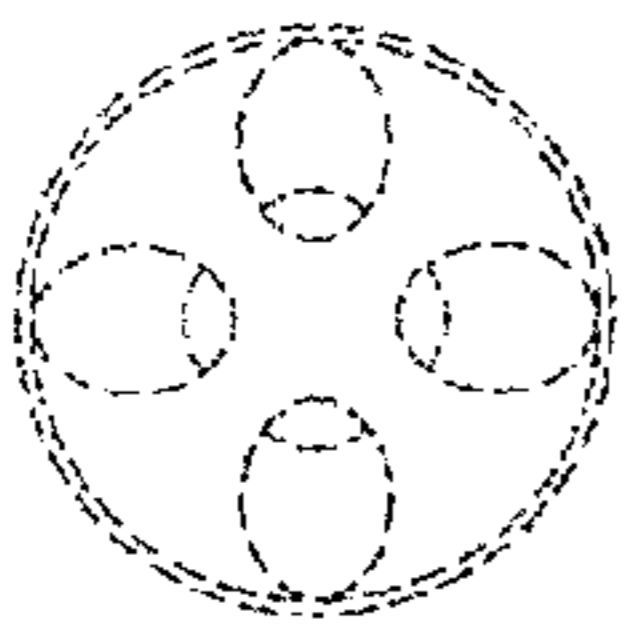


FIG. 4

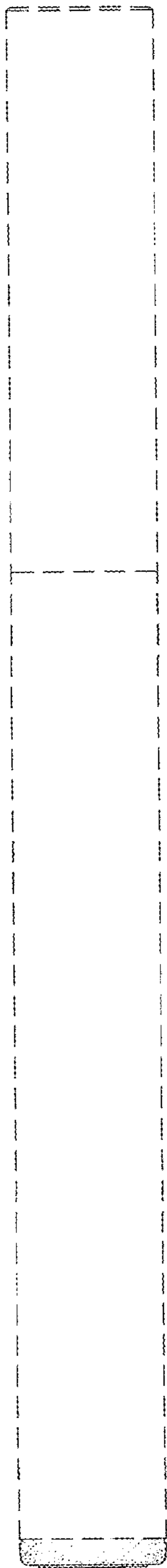


FIG. 5



FIG. 6

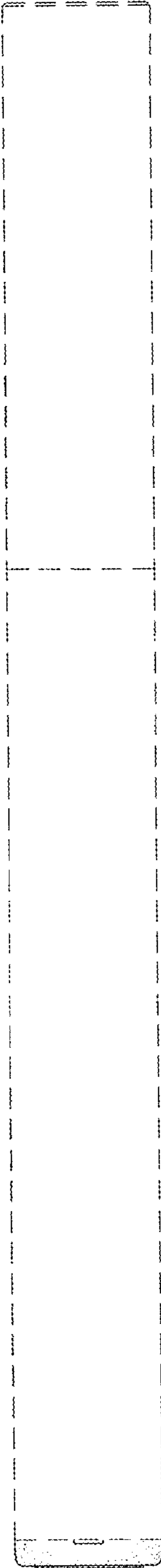


FIG. 7

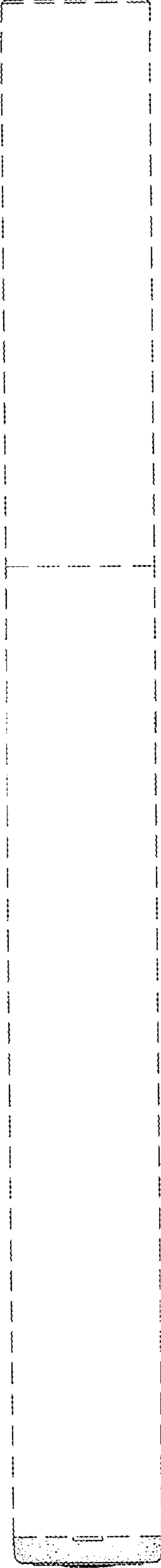


FIG. 8

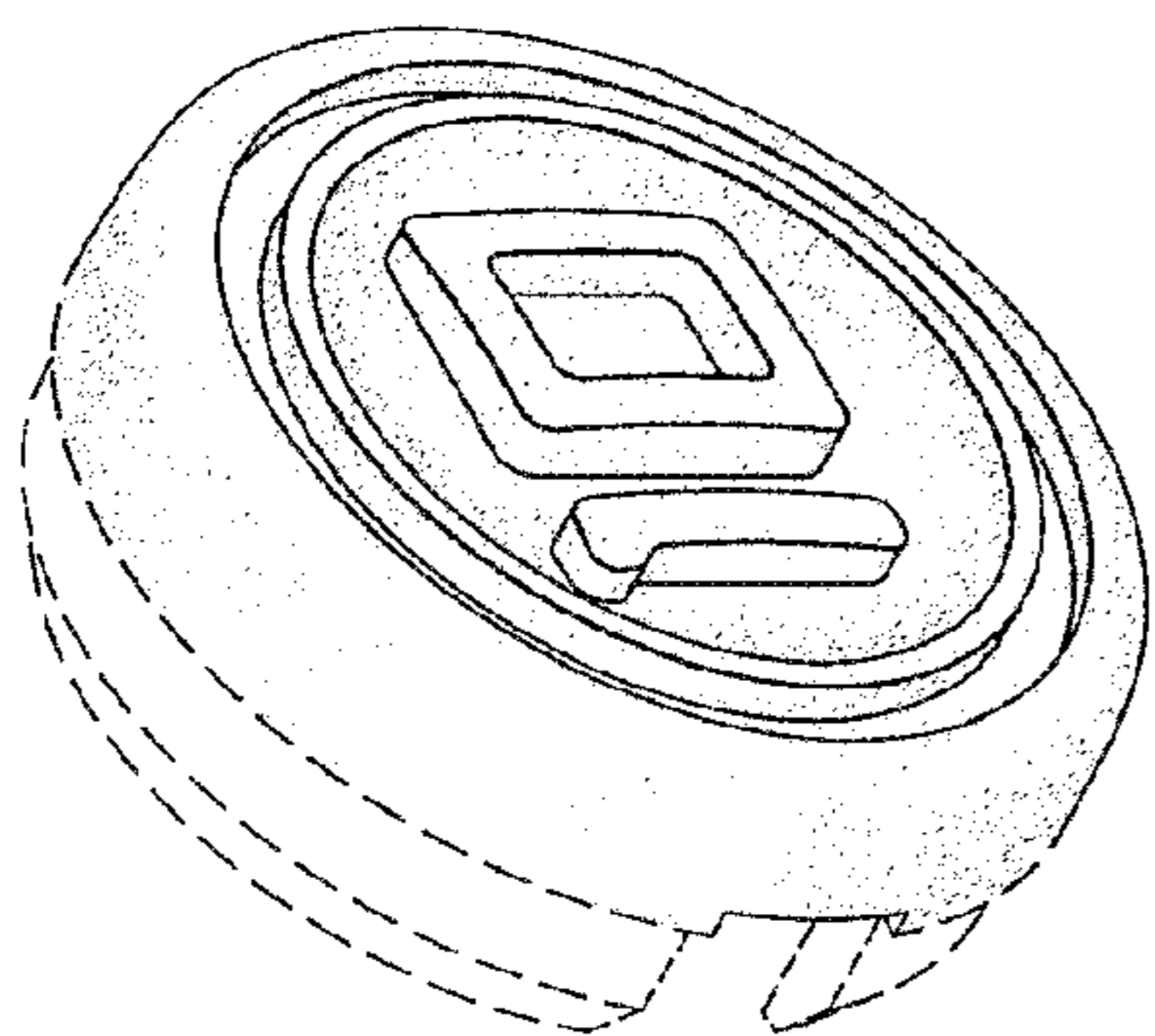


FIG. 9

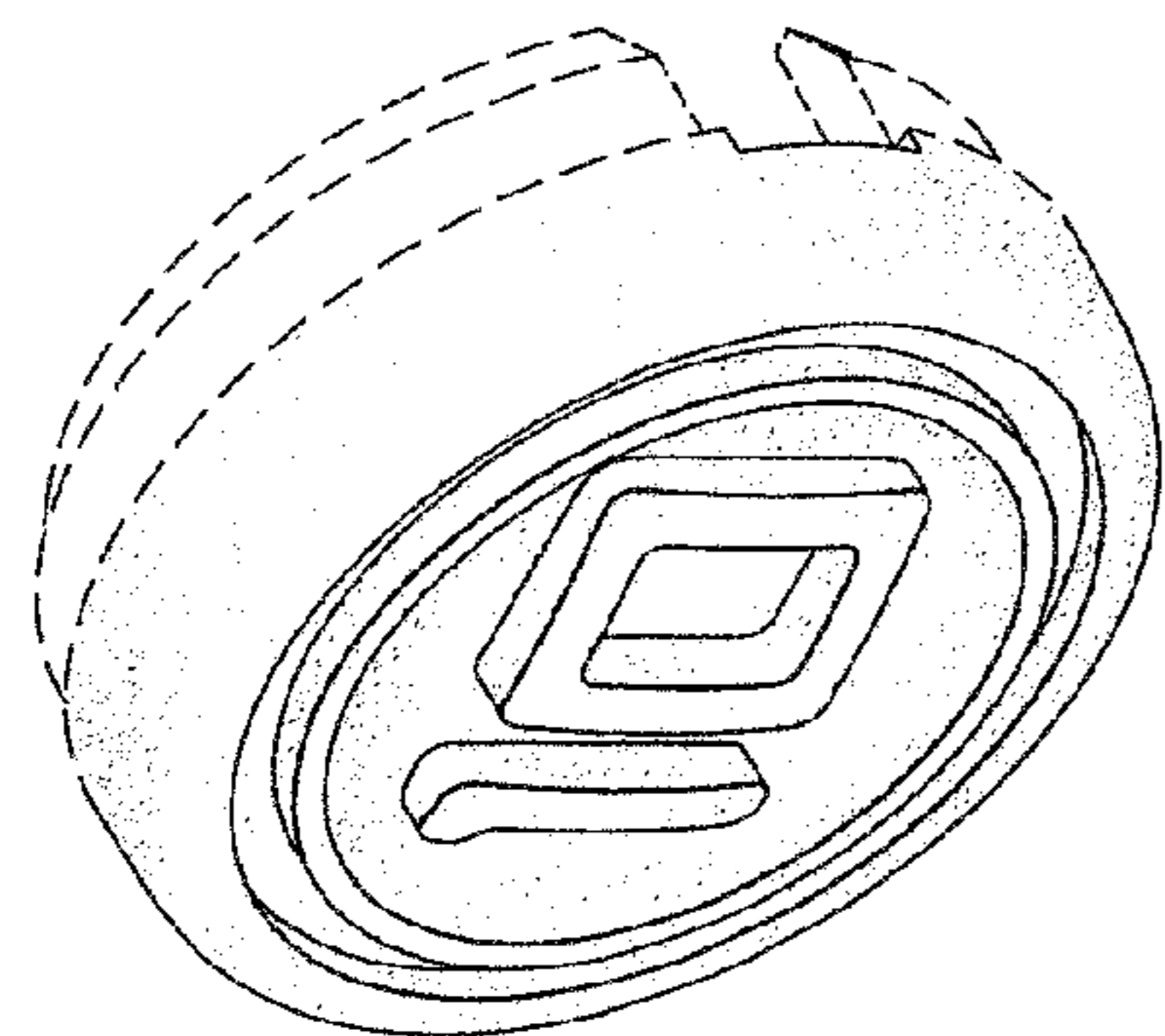


FIG. 10

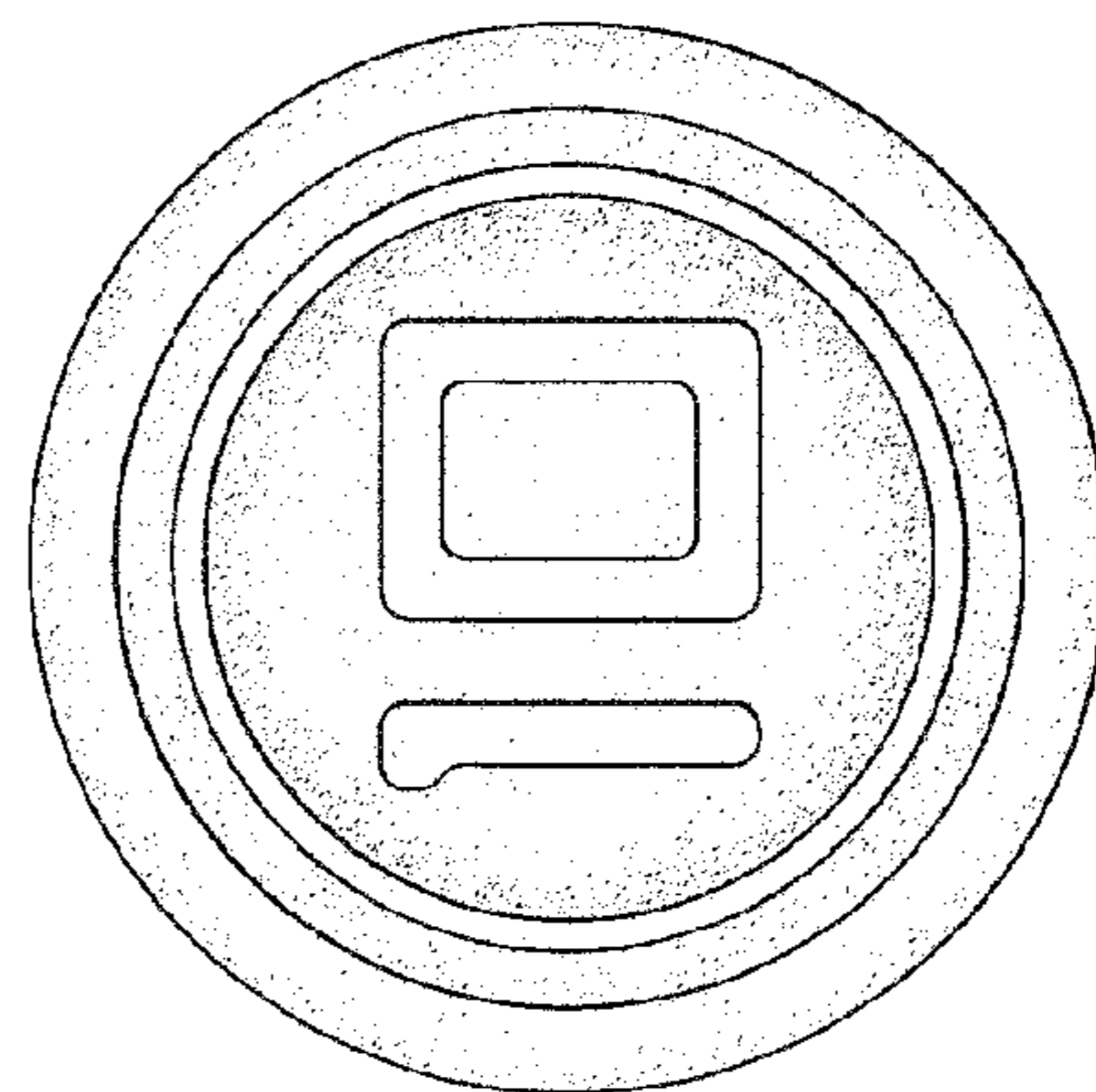


FIG. 11

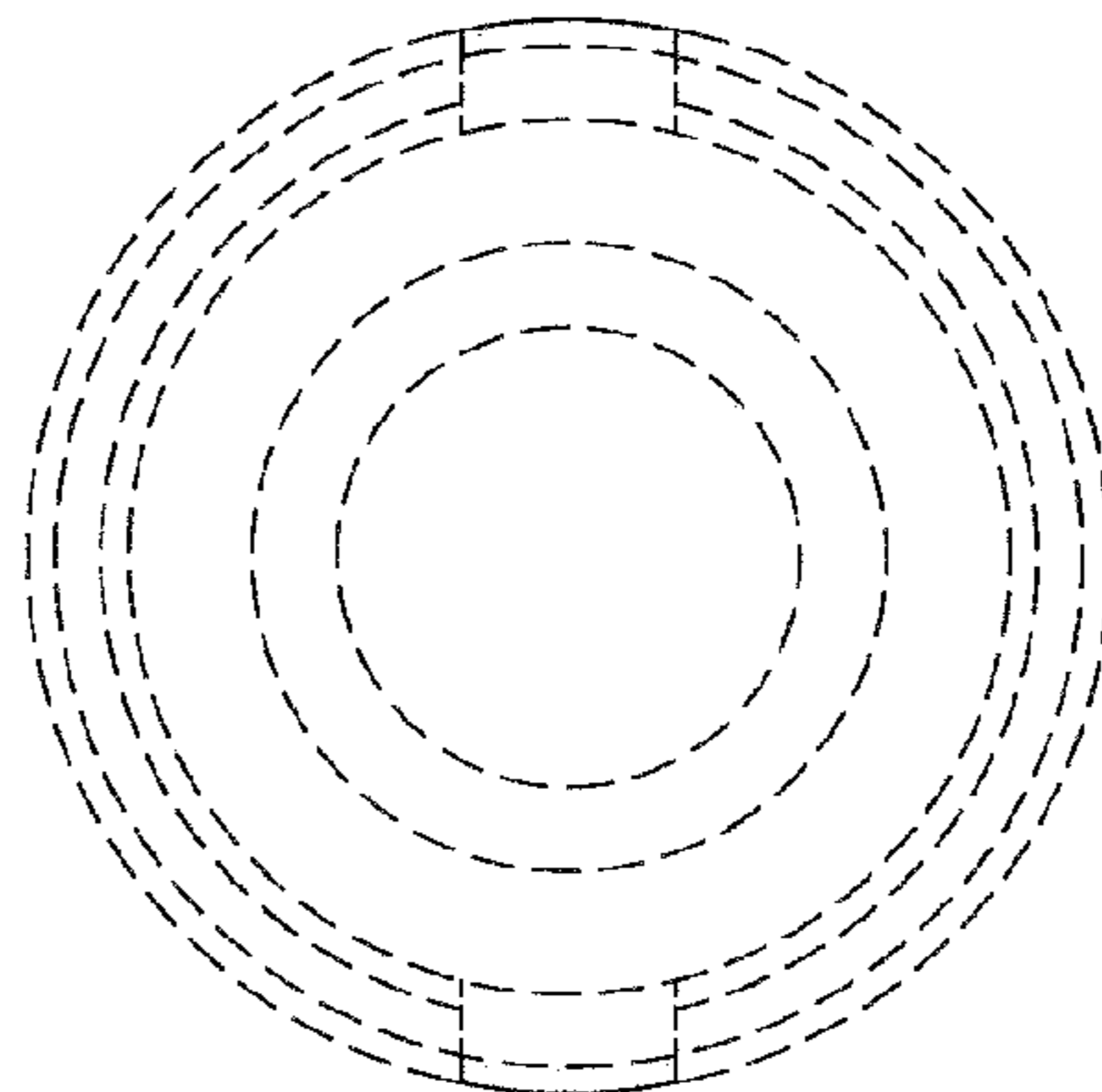


FIG. 12

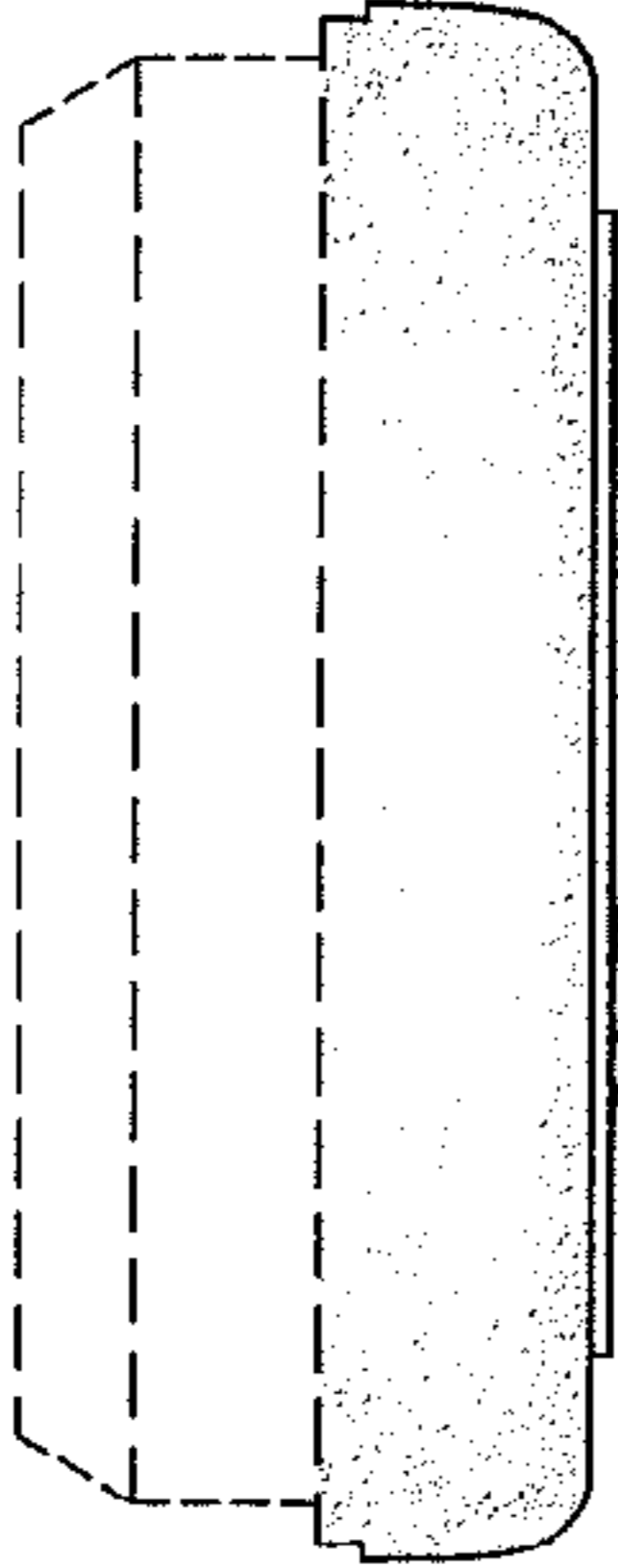


FIG. 13

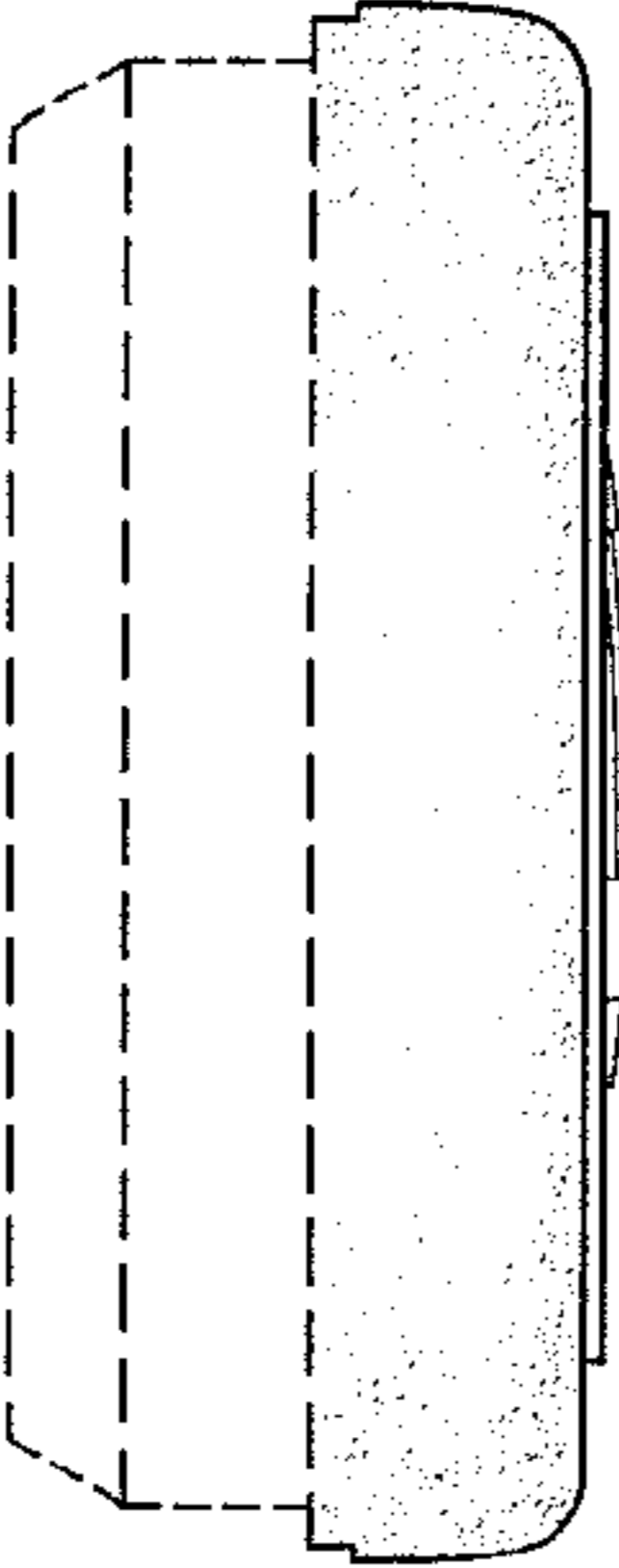


FIG. 14

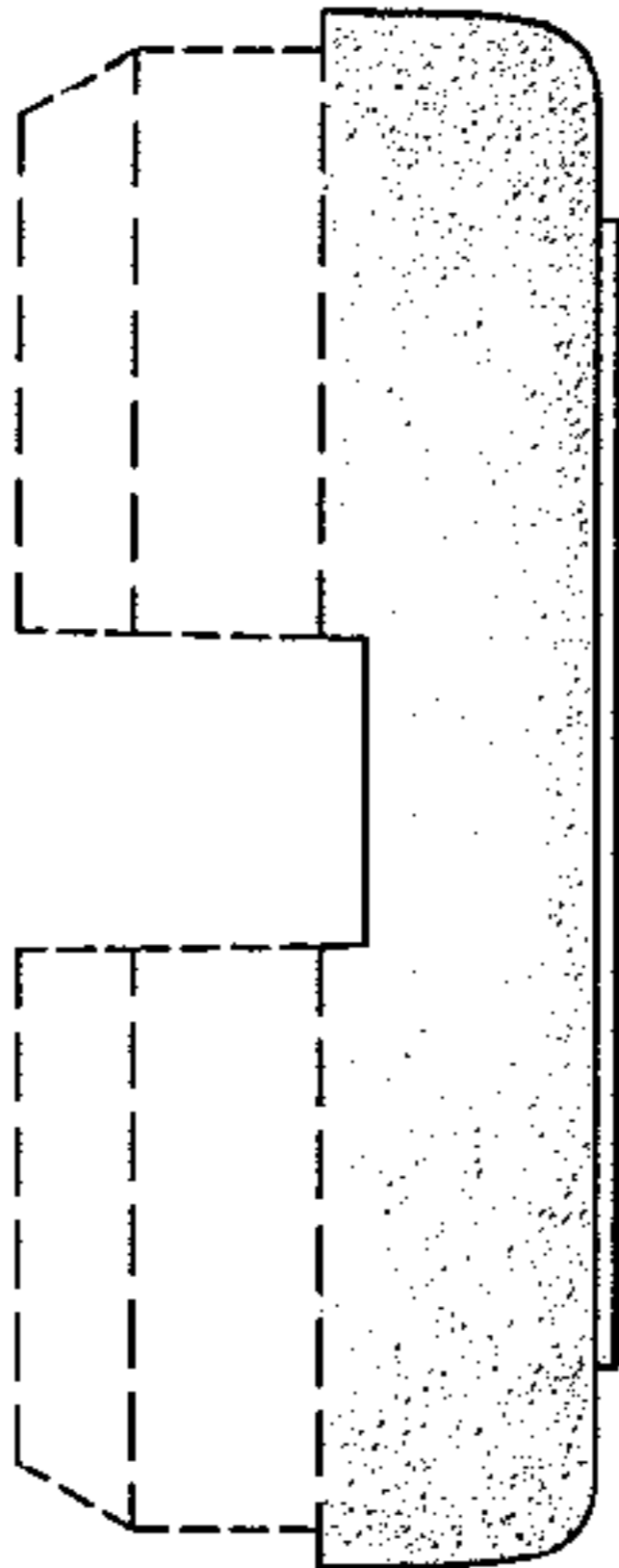


FIG. 15

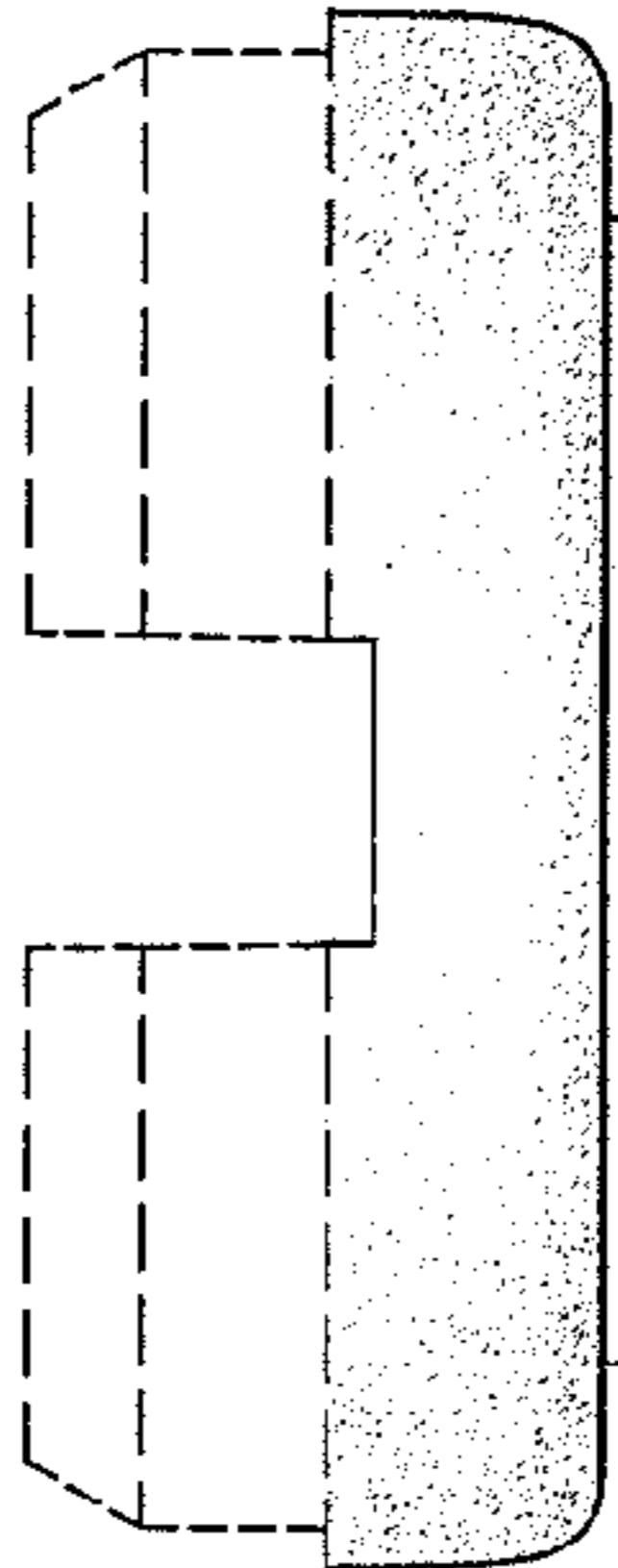


FIG. 16