



US00D756559S

(12) **United States Design Patent**
Li

(10) **Patent No.:** **US D756,559 S**

(45) **Date of Patent:** **** May 17, 2016**

(54) **ELECTRONIC CIGARETTE**

(71) Applicant: **Jianwei Li**, Guangdong Province (CN)

(72) Inventor: **Jianwei Li**, Guangdong Province (CN)

(**) Term: **14 Years**

(21) Appl. No.: **29/477,221**

(22) Filed: **Dec. 20, 2013**

(30) **Foreign Application Priority Data**

Sep. 22, 2013 (CN) 2013 3 0450891

(51) **LOC (10) Cl.** **27-01**

(52) **U.S. Cl.**
USPC **D27/101**; D27/163; D13/144

(58) **Field of Classification Search**
USPC D27/101, 163, 167; D24/110; D13/144
CPC A24F 47/008
See application file for complete search history.

(56) **References Cited**

U.S. PATENT DOCUMENTS

D525,201 S *	7/2006	Navarrez	D13/107
7,679,322 B1 *	3/2010	Griffin	H02J 7/0042 320/114
D635,923 S *	4/2011	Lin	D13/144
D701,838 S *	4/2014	Esses	D13/108
D711,322 S *	8/2014	McSweyn	D13/144

D711,830 S *	8/2014	Liu	D13/144
D717,994 S *	11/2014	Alima	D27/101
D720,497 S *	12/2014	Alima	D27/101
D727,562 S *	4/2015	Li	D27/101
D727,563 S *	4/2015	Li	D27/101
D731,112 S *	6/2015	Li	D27/101
2015/0208725 A1 *	7/2015	Tsai	H05B 1/0244 392/390
2015/0320116 A1 *	11/2015	Bleloch	A61M 15/06 219/628
2015/0335074 A1 *	11/2015	Leung	A24F 47/008 131/328

* cited by examiner

Primary Examiner — Susan Bennett Hattan

Assistant Examiner — Janice Hallmark

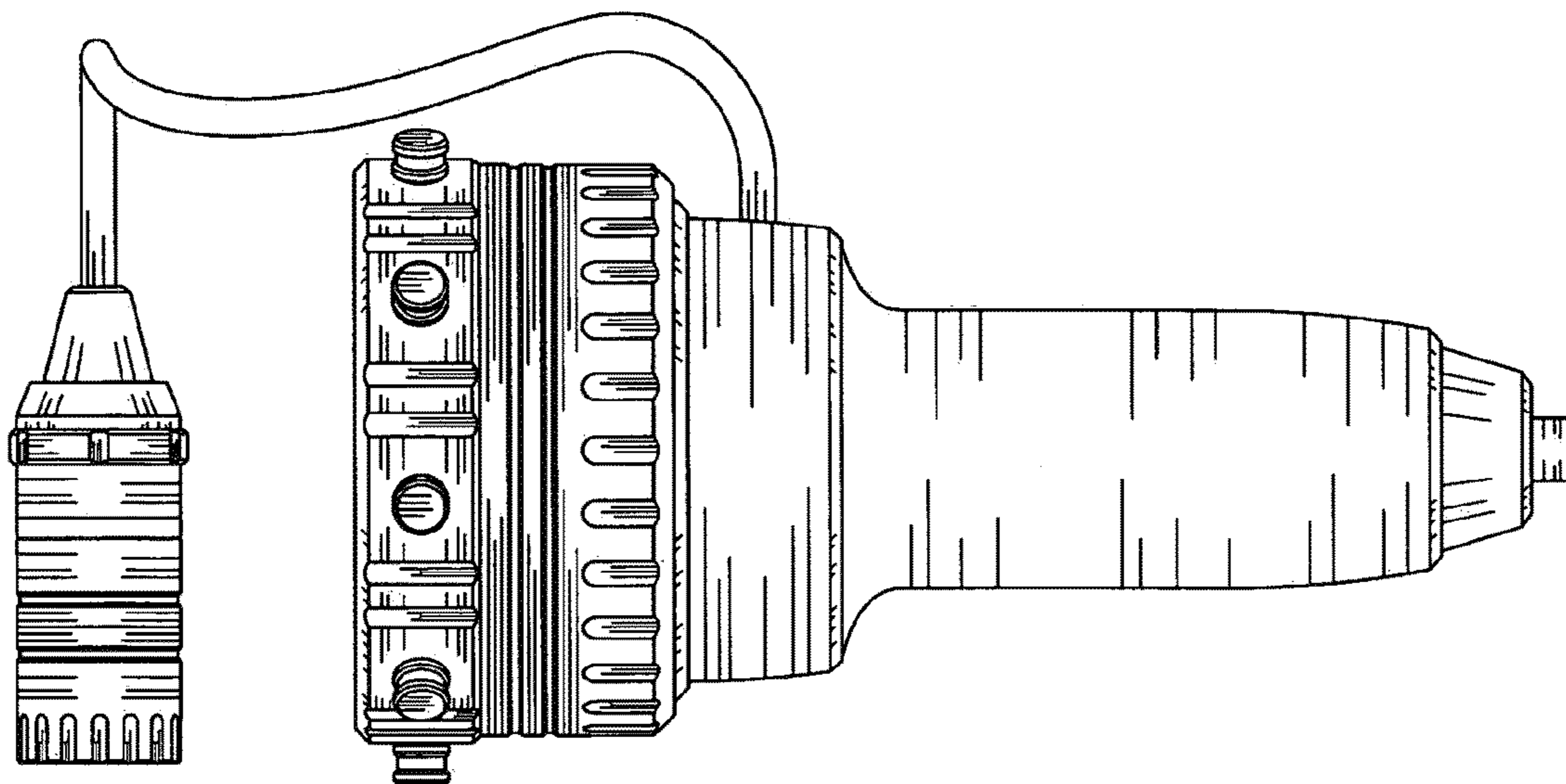
(57) **CLAIM**

The ornamental design for an electronic cigarette, as shown and described.

DESCRIPTION

FIG. 1 is a front elevational view of an electronic cigarette showing my new design;
FIG. 2 is a rear elevational view thereof;
FIG. 3 is a left side view thereof;
FIG. 4 is a right side view thereof;
FIG. 5 is a top plan view thereof; and,
FIG. 6 is a bottom plan view thereof.
The broken lines depict parts of the electronic cigarette that form no part of the claimed design.

1 Claim, 4 Drawing Sheets



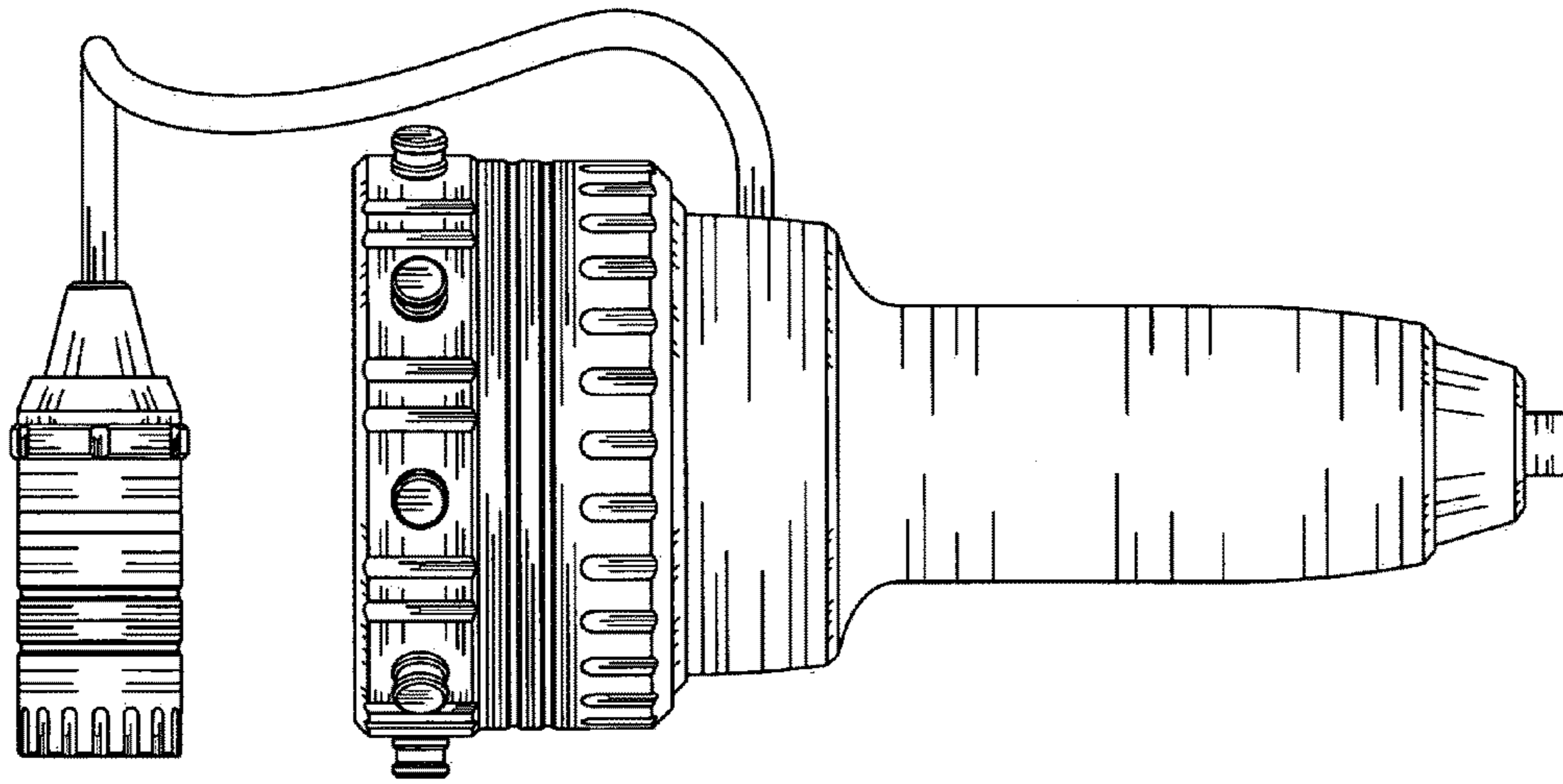


FIG. 1

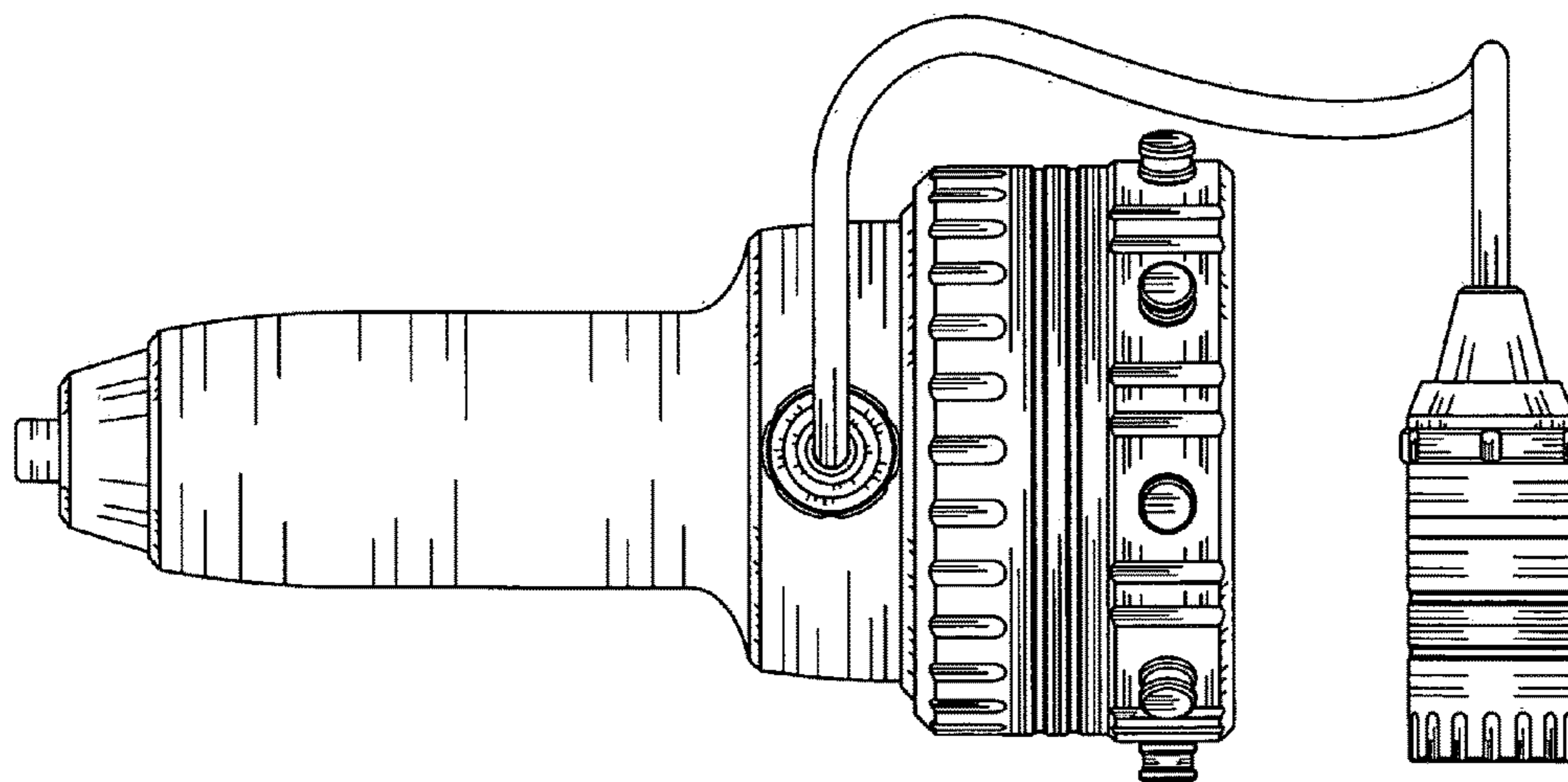


FIG. 2

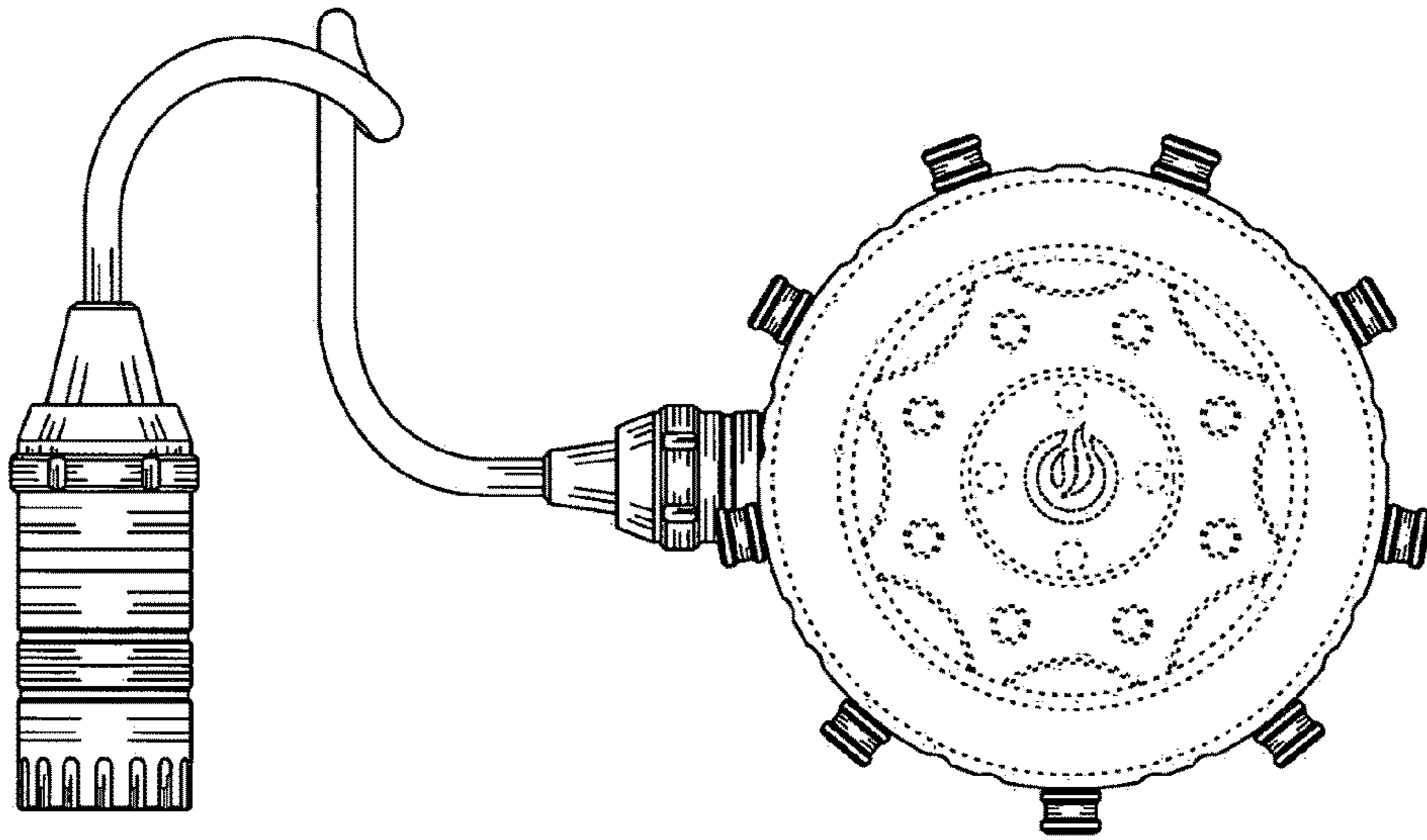


FIG. 3

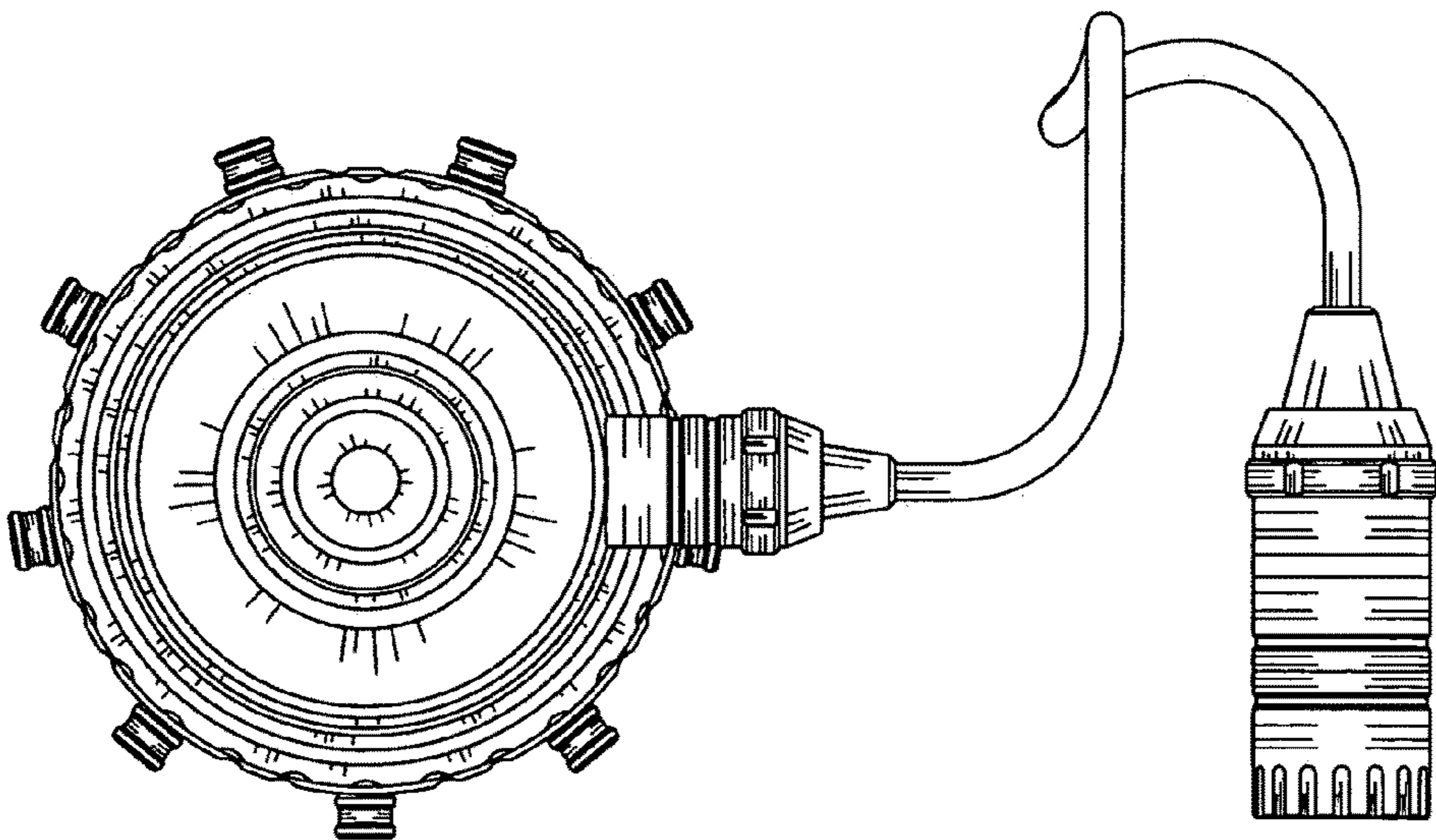


FIG. 4

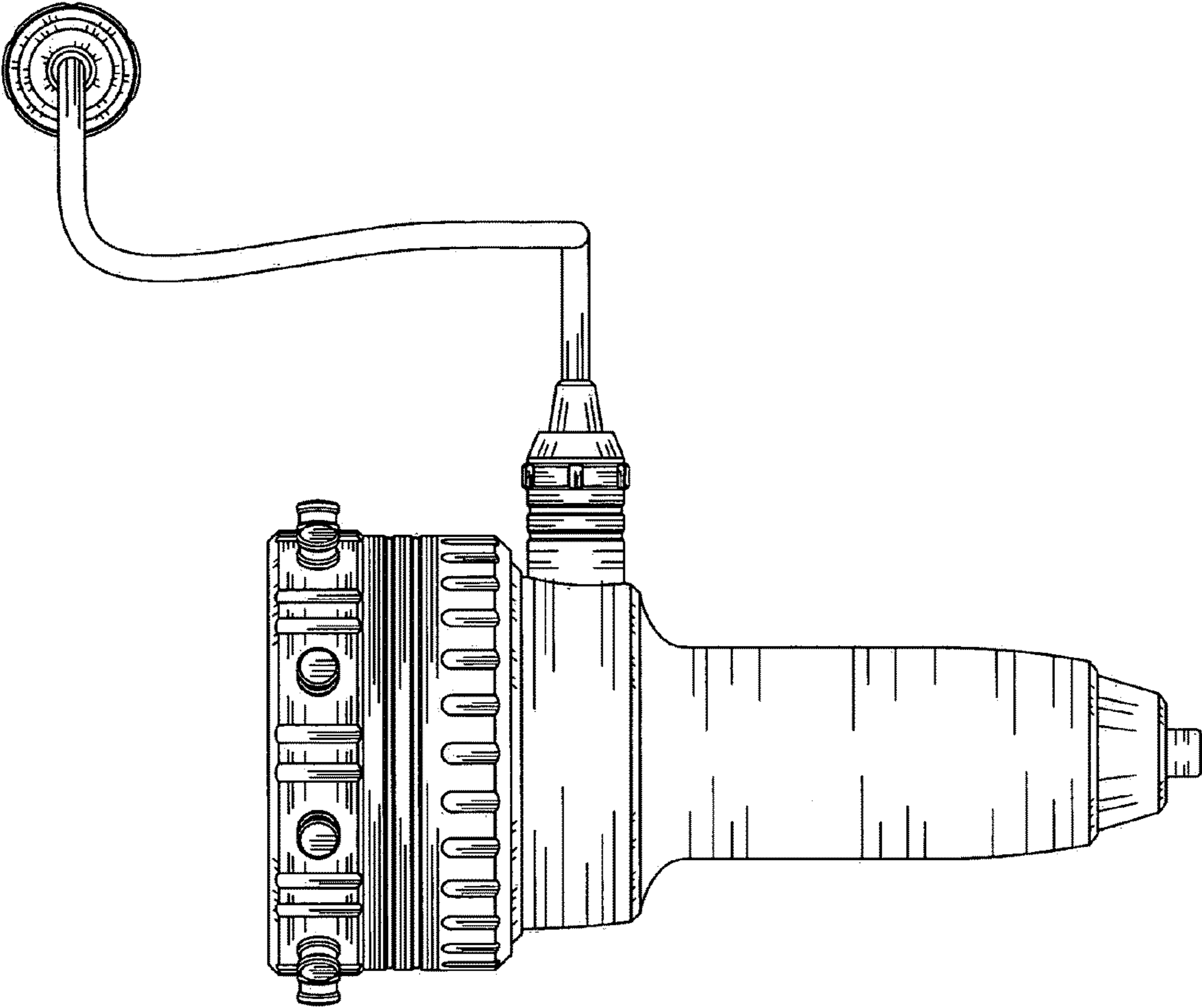


FIG. 5

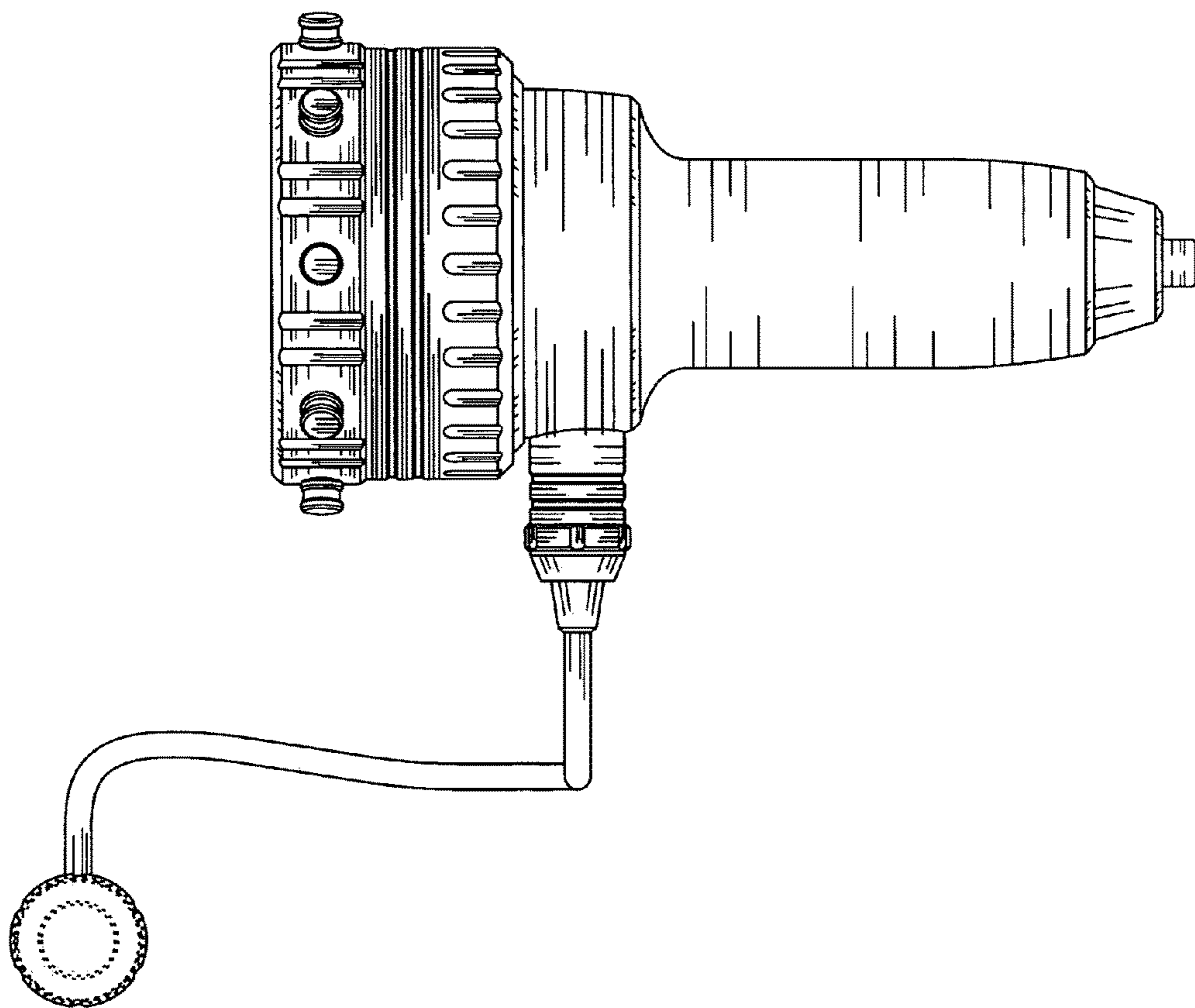


FIG. 6