

US00D756558S

(12) **United States Design Patent**  
**Paulsen et al.**

(10) **Patent No.:** **US D756,558 S**  
(45) **Date of Patent:** **\*\* \*May 17, 2016**

(54) **LINEAR LIGHT FIXTURE SUPPORT**

(71) Applicant: **3M INNOVATIVE PROPERTIES COMPANY**, St. Paul, MN (US)

(72) Inventors: **Gary H. Paulsen**, St. Paul, MN (US);  
**Gina M. Albanese**, Minneapolis, MN (US);  
**Bryon E. Trotter**, St. Paul, MN (US);  
**Todd E. Bracher**, Brooklyn, NY (US)

(73) Assignee: **3M Innovative Properties Company**, St. Paul, MN (US)

(\*) Notice: This patent is subject to a terminal disclaimer.

(\*\*) Term: **14 Years**

(21) Appl. No.: **29/484,013**

(22) Filed: **Mar. 5, 2014**

(51) **LOC (10) Cl.** ..... **26-99**

(52) **U.S. Cl.**  
USPC ..... **D26/142**

(58) **Field of Classification Search**  
USPC ..... D26/24, 39, 59, 67, 68, 69, 70, 71, 72,  
D26/74, 77, 80, 88, 89, 138, 139, 140, 141,  
D26/142, 144, 151, 152; 313/115, 548, 557,  
313/569, 578, 315; 362/126, 294, 355  
CPC ..... F24S 4/001; F24S 4/005; F24S 8/00;  
F24S 8/04; F24S 8/043; F24S 8/046; F24S  
8/06-8/065; F24S 13/02; F24S 13/04; F24S  
13/06

See application file for complete search history.

(56) **References Cited**

**U.S. PATENT DOCUMENTS**

D75,012 S \* 5/1928 Johnson ..... D26/150  
D565,228 S \* 3/2008 Lovegrove ..... D26/72

D586,029 S \* 2/2009 Copeland ..... D26/83  
D590,987 S \* 4/2009 Dunn et al. .... D26/141  
D592,793 S \* 5/2009 Chandler ..... D26/141  
D611,645 S \* 3/2010 Copeland ..... D26/83  
D638,983 S \* 5/2011 Martin ..... D26/144  
D659,884 S \* 5/2012 Sabernig ..... D26/88  
D664,288 S \* 7/2012 De Lucchi ..... D26/138  
D665,941 S \* 8/2012 Orozco ..... D26/144  
D674,528 S \* 1/2013 Paz ..... D26/72

(Continued)

**OTHER PUBLICATIONS**

“Lattice LED Semi-Flushmount/Pendant”, <http://www.lumens.com/lattice-led-semi-flushmount/pendant-by-sonneman-lighting-uu511230.html#start=96&sz=96&cgid=11&prefn1=Style&prefv1=Contemporary&tileIndex=17>, retrieved Mar. 5, 2014, 2 pages.

“Blocs Suspension”, <http://www.lumens.com/blocs-suspension-by-et2-lighting-uu134372.html#start=192&sz=96&cgid=3&prefn1=Style&prefv1=Contemporary&tileIndex=57>, retrieved on Mar. 5, 2014, 2 pages.

(Continued)

*Primary Examiner* — George D Kirschbaum

*Assistant Examiner* — Natasha Vujcic

(57) **CLAIM**

The ornamental design for a linear light fixture support, as shown and described.

**DESCRIPTION**

FIG. 1 is a front perspective view of a linear light fixture support, showing our new design;

FIG. 2 is an enlarged detail view of FIG. 1;

FIG. 3 is a top view thereof;

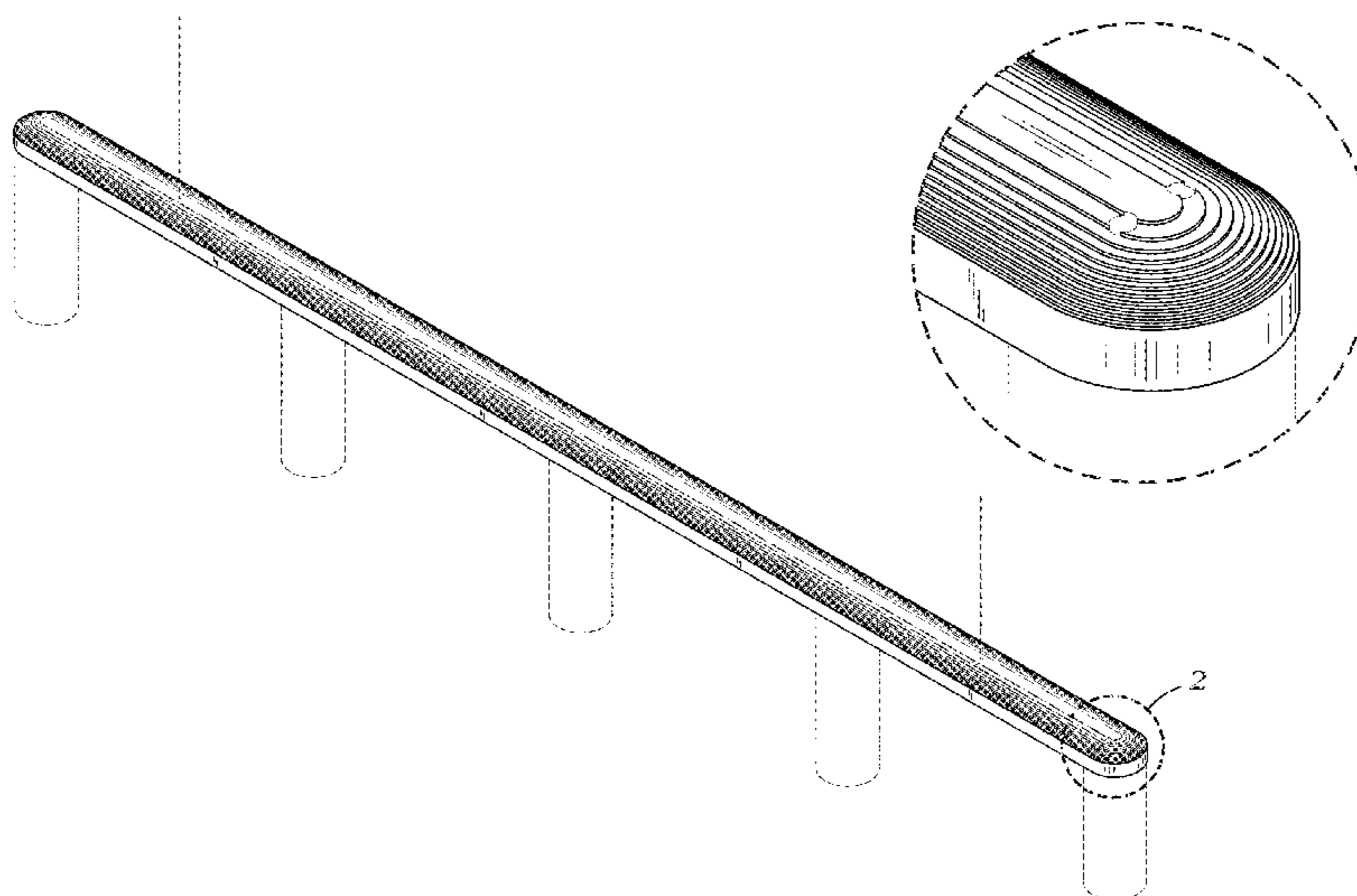
FIG. 4 is a front view thereof; the back view being a mirror image of the front view;

FIG. 5 is a bottom view thereof; and,

FIG. 6 is a left side view thereof; the right side view being a mirror image of the left side view.

The broken lines in the drawings illustrates portions of the linear light fixture support and forms no part of the claimed design.

**1 Claim, 3 Drawing Sheets**



(56)

**References Cited**

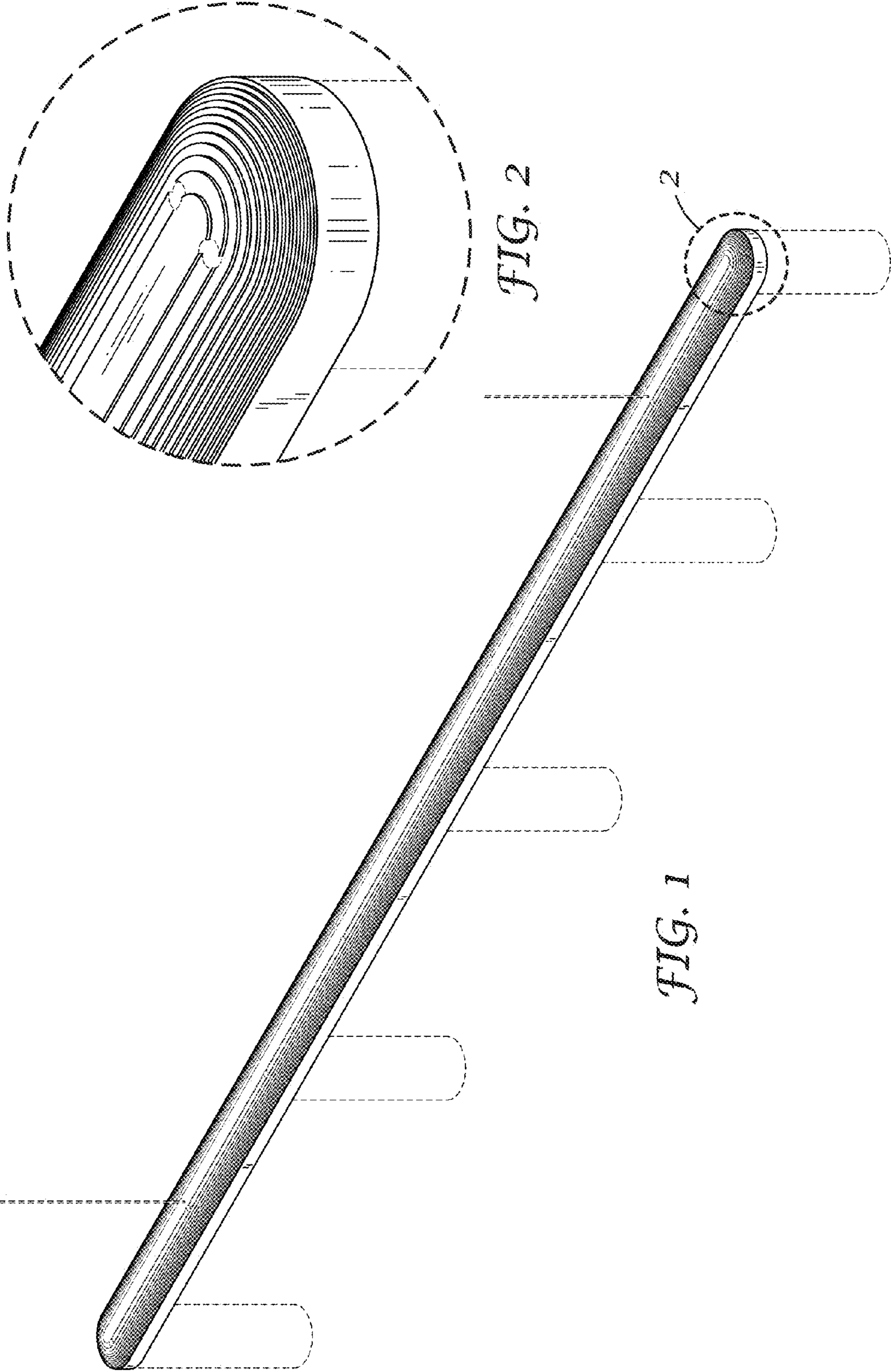
U.S. PATENT DOCUMENTS

D685,123 S \* 6/2013 Dolan ..... D26/81  
D693,045 S \* 11/2013 Kirschhoffer et al. .... D26/88  
D700,390 S \* 2/2014 Sabernig ..... D26/90  
D712,089 S \* 8/2014 Rogers et al. .... D26/142  
D714,489 S \* 9/2014 Trotter et al. .... D26/140

OTHER PUBLICATIONS

“Led Net by Michele De Lucchi and Alberto Nason for Artemide (IT)”, <http://www.dailytonic.com/led-net-by-michele-de-lucchi-and-alberto-nason-for-artemide-it/>, retrieved on Mar. 5, 2014, 2 pages.

\* cited by examiner



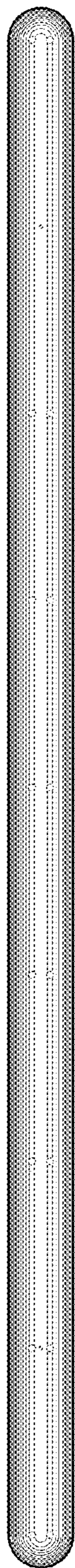


FIG. 3

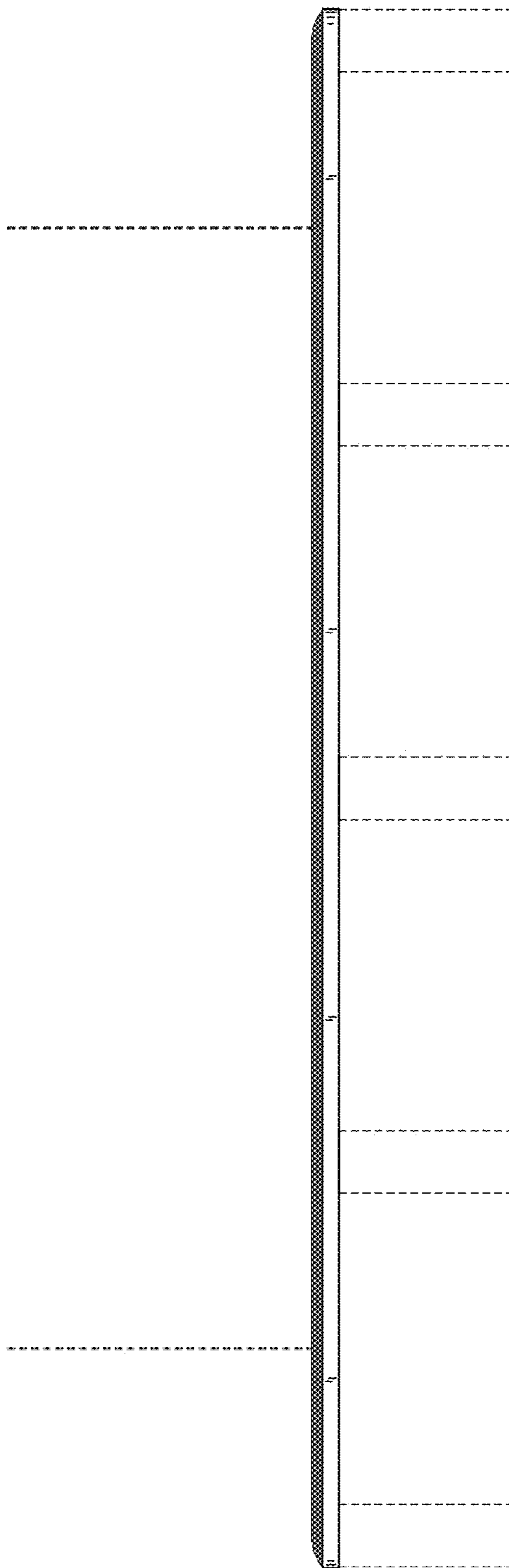


FIG. 4

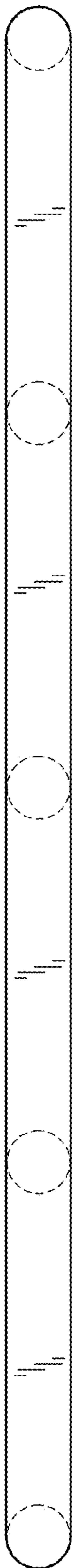


FIG. 5

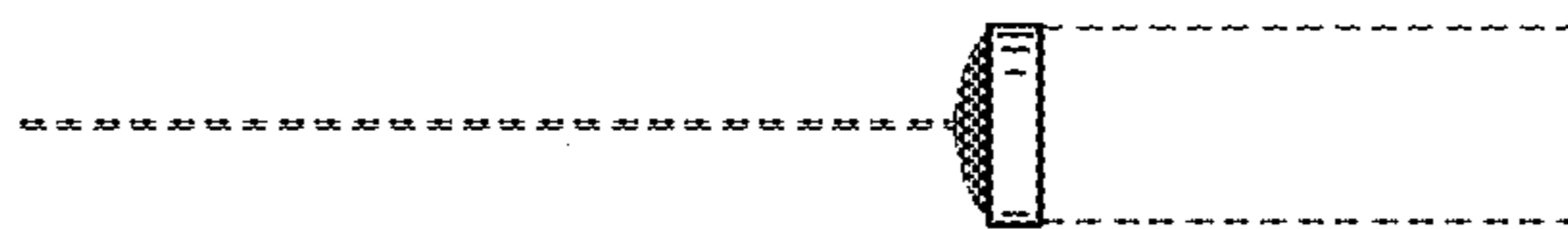


FIG. 6