



US00D756557S

(12) **United States Design Patent**
Bryant et al.

(10) **Patent No.:** **US D756,557 S**
(45) **Date of Patent:** **** May 17, 2016**

(54) **LOW PROFILE OUTDOOR LIGHT FIXTURE**

(71) Applicants: **Christopher Michael Bryant**, Social Circle, GA (US); **James Richard Christ**, Peachtree City, GA (US)

(72) Inventors: **Christopher Michael Bryant**, Social Circle, GA (US); **James Richard Christ**, Peachtree City, GA (US)

(73) Assignee: **Cooper Technologies Company**, Houston, TX (US)

(**) Term: **14 Years**

(21) Appl. No.: **29/512,653**

(22) Filed: **Dec. 22, 2014**

(51) **LOC (10) Cl.** **26-16**

(52) **U.S. Cl.**
USPC **D26/138**

(58) **Field of Classification Search**
USPC D26/24, 39, 59, 67, 68, 69, 70, 71, 72,
D26/74, 76, 77, 80, 88, 89, 138, 139, 140,
D26/141, 142, 151, 152
CPC F24S 4/001; F24S 4/005; F24S 8/00;
F24S 8/04; F24S 8/043; F24S 8/046; F24S
8/06-8/065; F24S 13/02; F24S 13/04; F24S
13/06

See application file for complete search history.

(56) **References Cited**

U.S. PATENT DOCUMENTS

5,515,252 A 5/1996 Osteen
D433,771 S 11/2000 Hiller
D453,850 S 2/2002 Leen

6,781,129 B2 8/2004 Leen
D563,003 S * 2/2008 Aleksjew D26/37
D564,687 S 3/2008 Bucher
D586,029 S * 2/2009 Copeland D26/76
D612,973 S * 3/2010 Munstermann D26/80
D642,726 S * 8/2011 Khubani D26/80
D650,507 S * 12/2011 Osiecki D26/85
D662,644 S * 6/2012 Wauters D26/83
D681,256 S 4/2013 Chilton
D710,049 S * 7/2014 Haws D26/142
D710,051 S 7/2014 Haws
D712,088 S * 8/2014 Rogers D26/142
D719,699 S * 12/2014 Bryant D26/82
D745,137 S 12/2015 Pipe

* cited by examiner

Primary Examiner — George D Kirschbaum

Assistant Examiner — Natasha Vujcic

(74) *Attorney, Agent, or Firm* — King & Spalding LLP

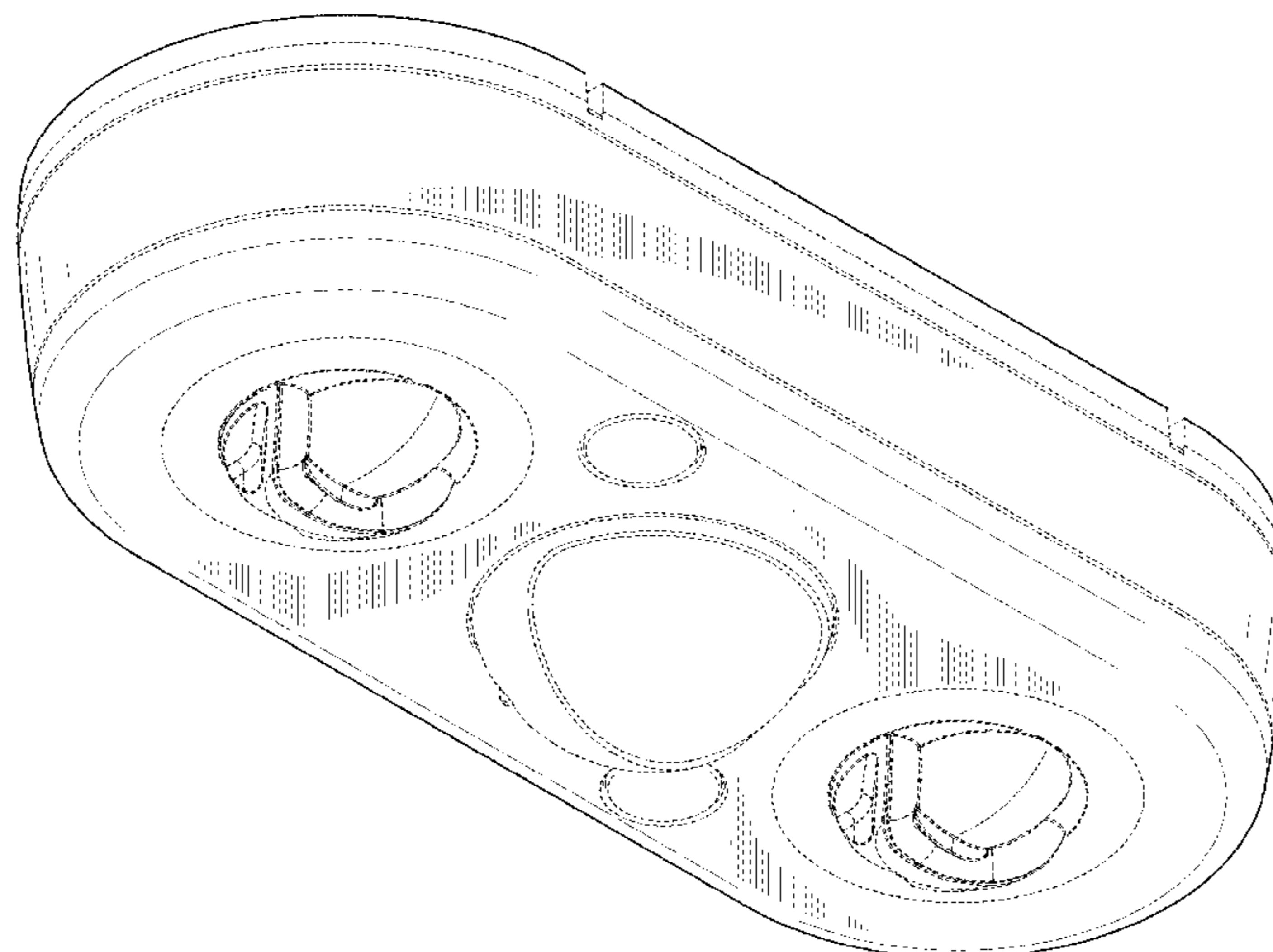
(57) **CLAIM**

The ornamental design for a low profile outdoor light fixture, as shown and described.

DESCRIPTION

FIG. 1 is a bottom perspective view of a low profile outdoor light fixture, showing our new design; FIG. 2 is a top perspective view thereof; FIG. 3 is a bottom plan view thereof; FIG. 4 is a top plan view thereof; FIG. 5 is a front elevation view thereof; FIG. 6 is a rear elevation view thereof; FIG. 7 is a left-side elevation view thereof; and, FIG. 8 is a right-side elevation view thereof. The broken lines shown represent unclaimed subject matter and form no part of the claimed design.

1 Claim, 7 Drawing Sheets



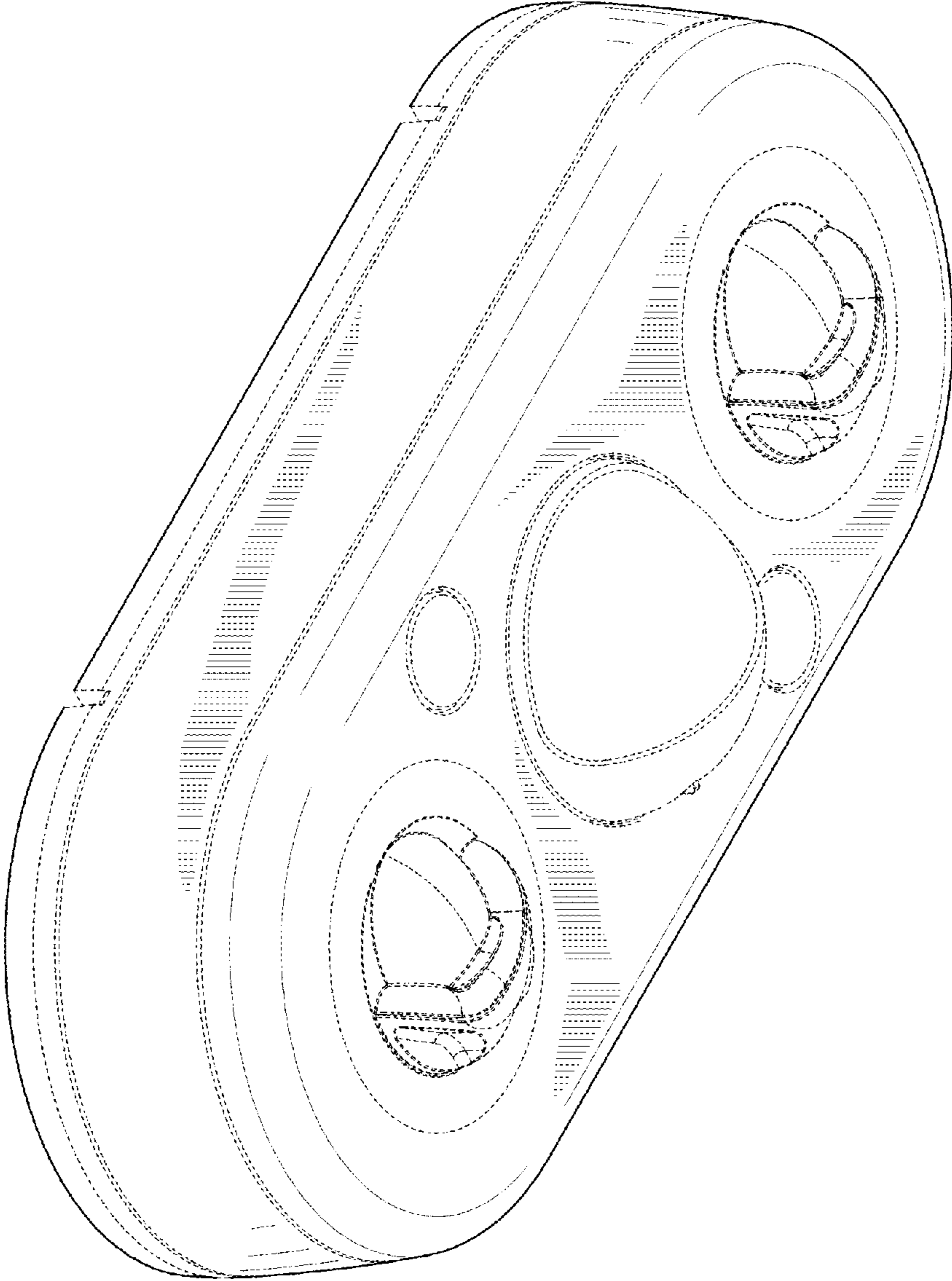


FIG. 1

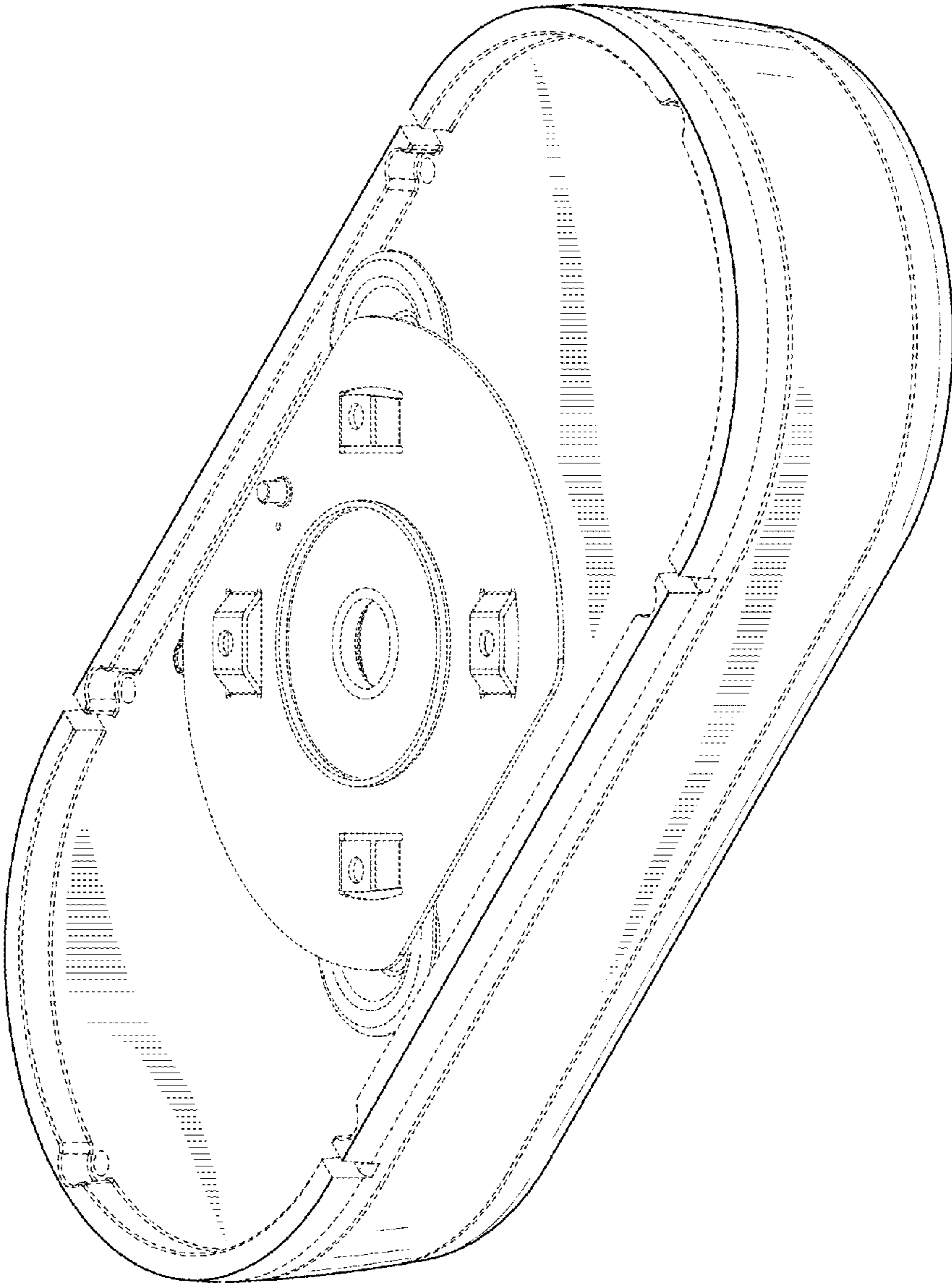


FIG. 2

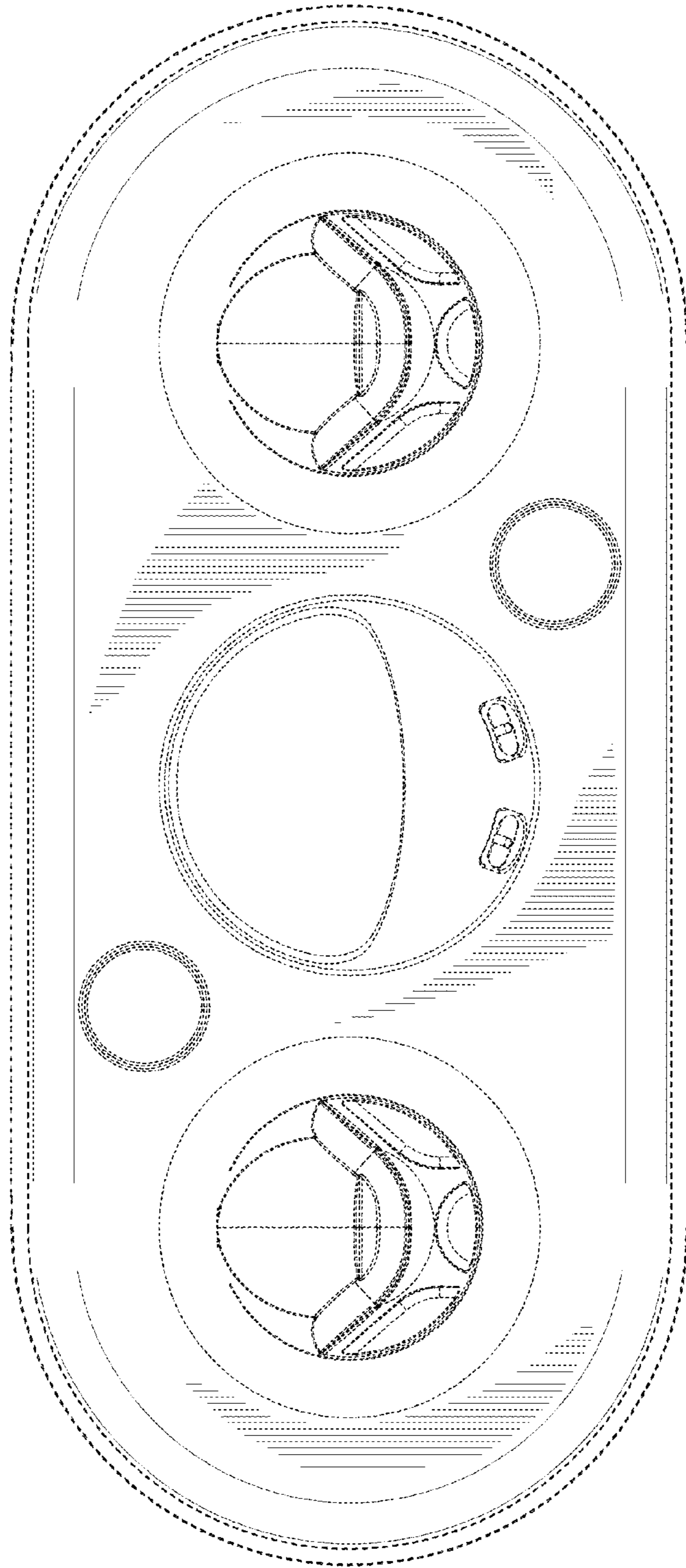


FIG. 3

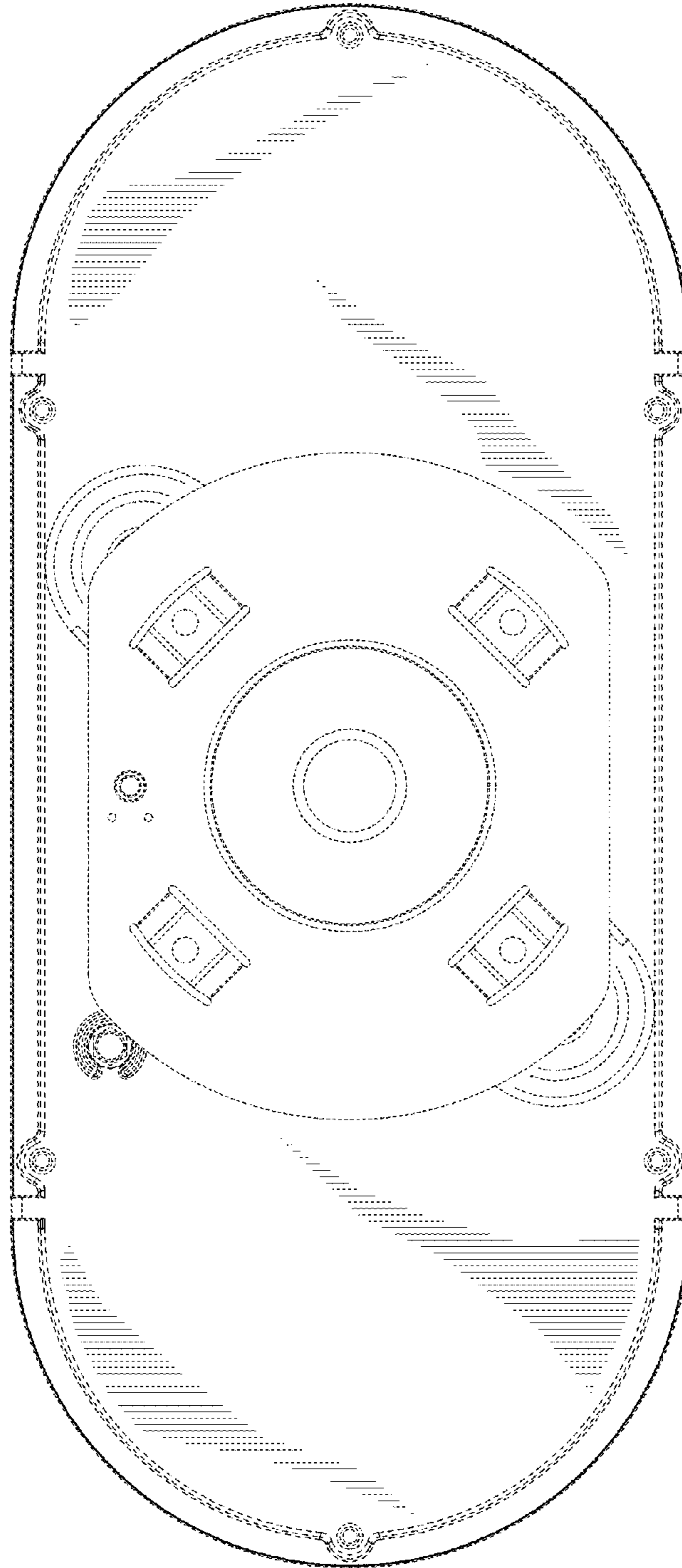


FIG. 4

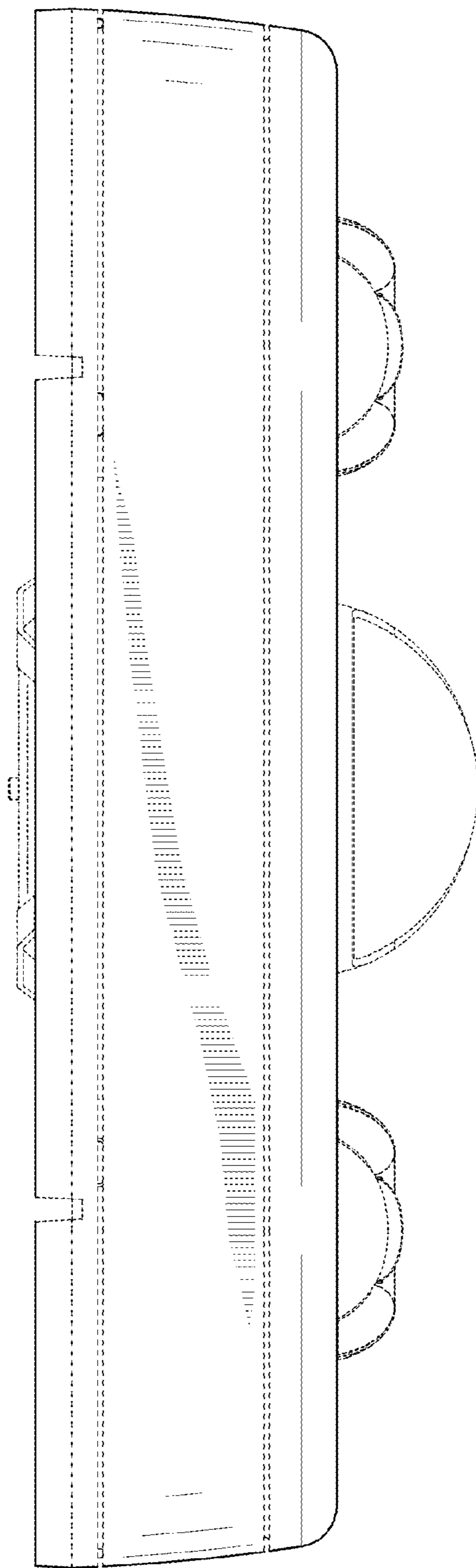


FIG. 5

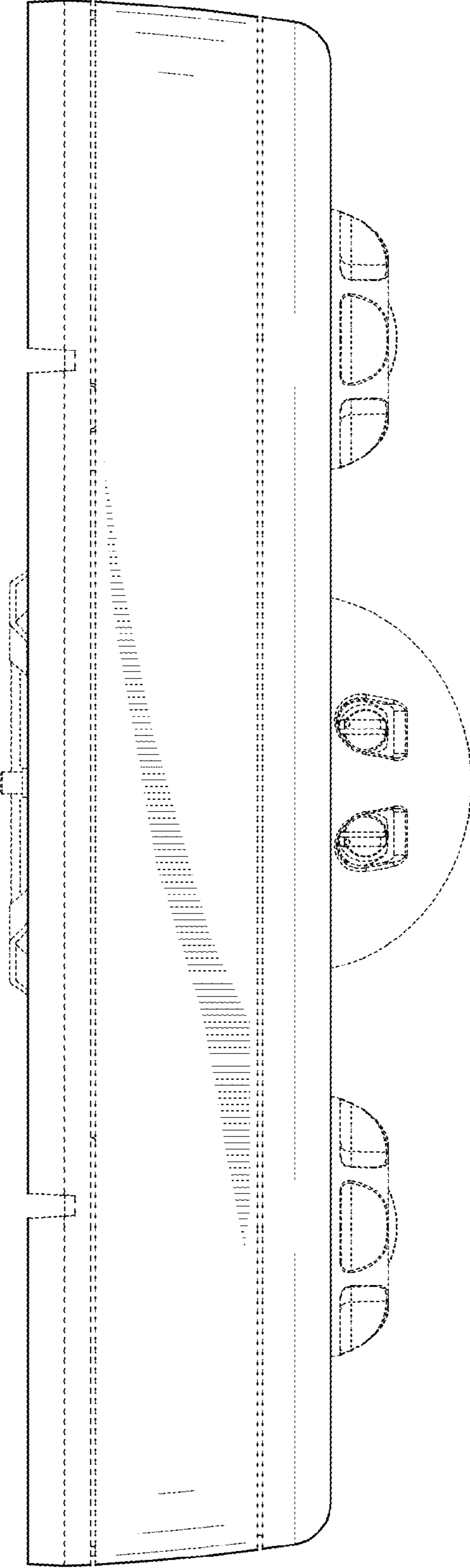


FIG. 6

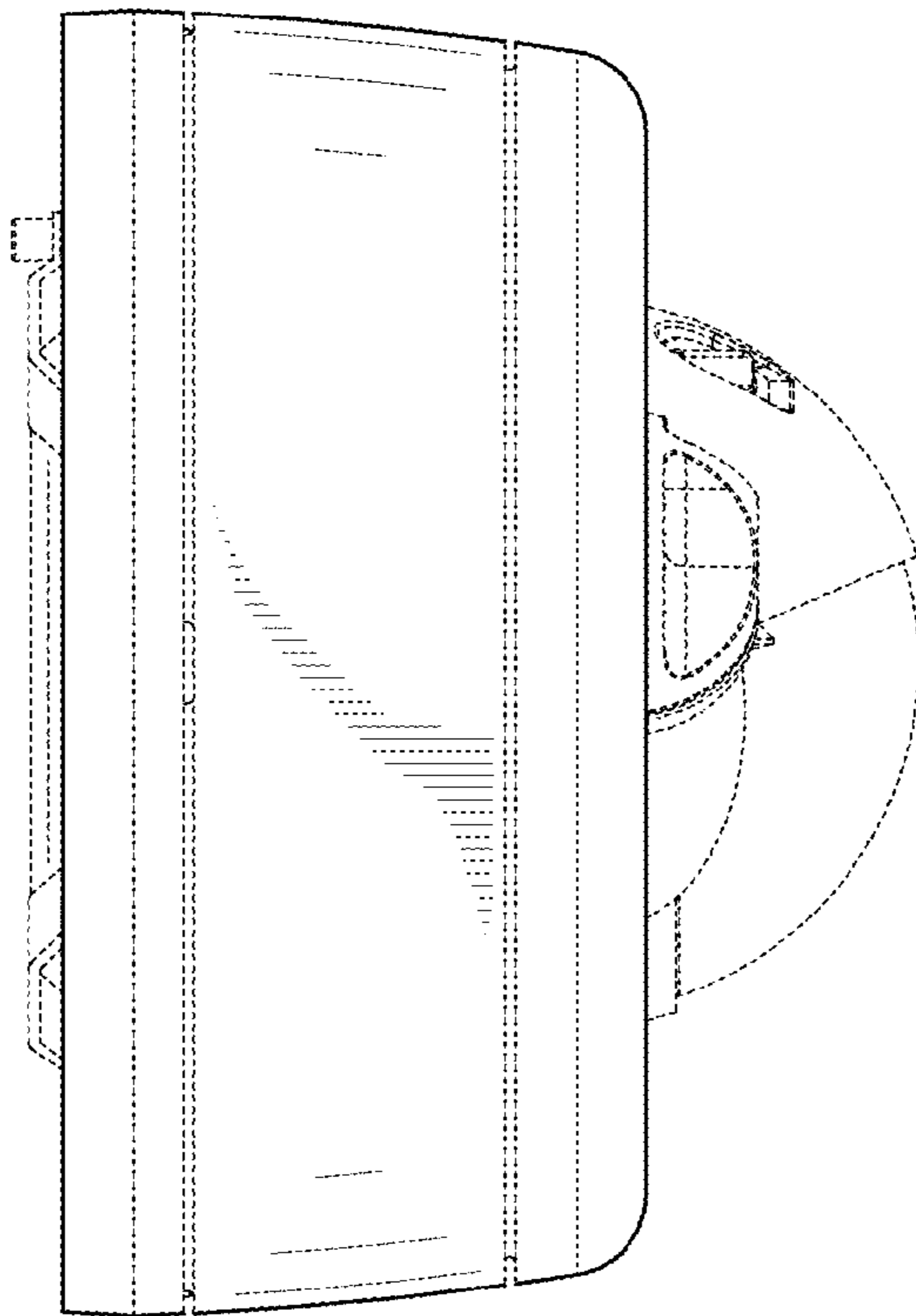


FIG. 8

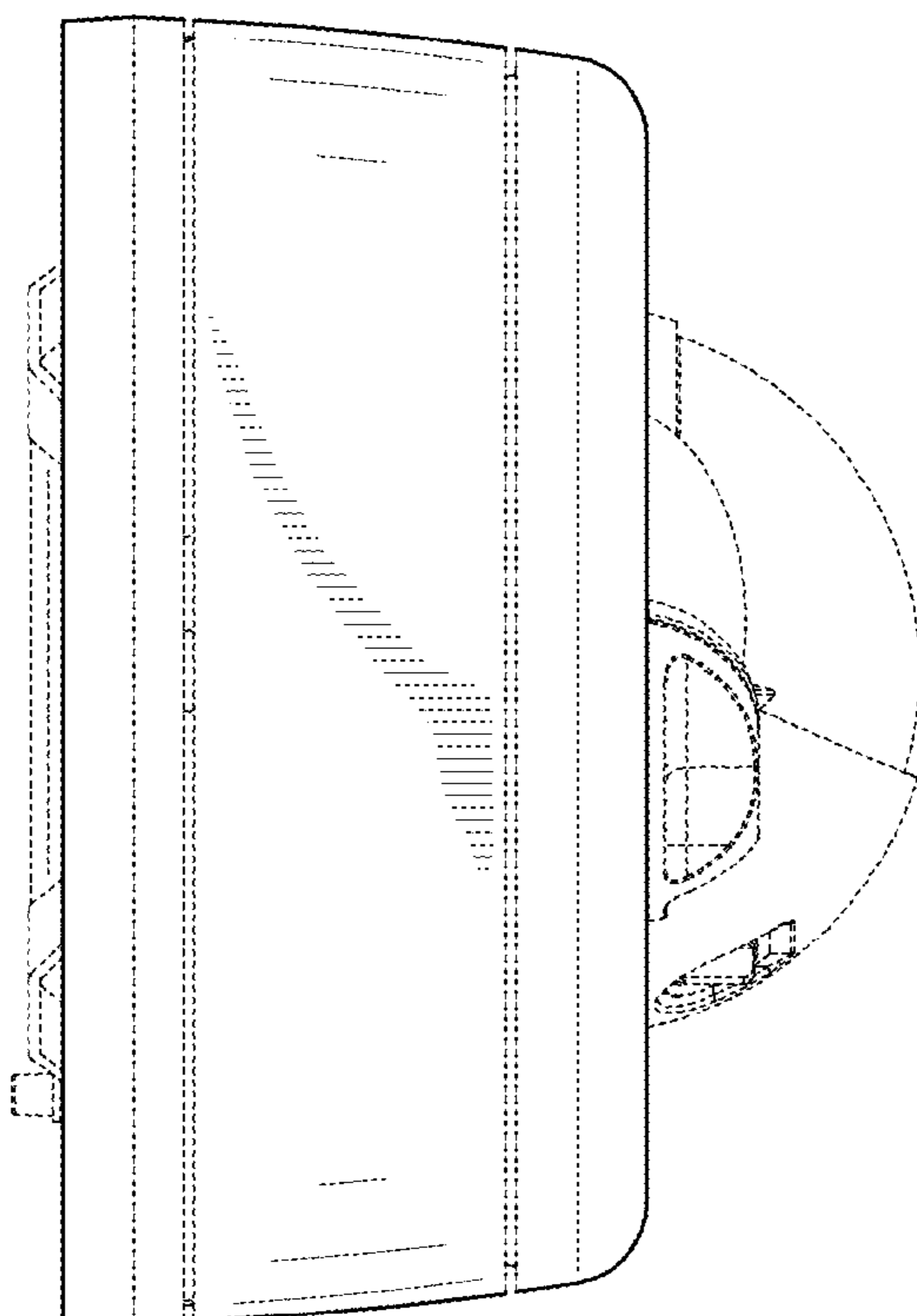


FIG. 7