



US00D756553S

(12) **United States Design Patent**
Kim

(10) **Patent No.:** **US D756,553 S**

(45) **Date of Patent:** **** May 17, 2016**

(54) **LIGHTING APPARATUS**

(71) Applicant: **LG Electronics Inc.**, Seoul (KR)

(72) Inventor: **Jongpil Kim**, Gyeonggi-do (KR)

(73) Assignee: **LG Electronics Inc.**, Seoul (KR)

(**) Term: **14 Years**

(21) Appl. No.: **29/494,044**

(22) Filed: **Jun. 17, 2014**

(30) **Foreign Application Priority Data**

Dec. 19, 2013 (KR) 30-2013-0064343

(51) **LOC (10) Cl.** **26-03**

(52) **U.S. Cl.**
USPC **D26/76**

(58) **Field of Classification Search**

USPC D26/24, 39, 59, 67, 68, 69, 70, 71, 72,
D26/74, 76, 77, 80, 88, 89, 98, 138, 139,
D26/140, 141, 142, 151, 152
CPC F24S 4/001; F24S 4/005; F24S 8/00;
F24S 8/04; F24S 8/043; F24S 8/046; F24S
8/06-8/065; F24S 13/02; F24S 13/04; F24S
13/06

See application file for complete search history.

(56) **References Cited**

U.S. PATENT DOCUMENTS

D520,667 S *	5/2006	Jae-Sung	D26/76
D602,627 S *	10/2009	Lasthein	D26/76
D603,548 S *	11/2009	Pei	D26/76
D610,293 S *	2/2010	Klaus	D26/76
D617,936 S *	6/2010	Fanning	D26/118
D690,452 S *	9/2013	Payne	D26/80
D701,343 S *	3/2014	Ng	D26/76
D704,643 S *	5/2014	Udagawa	D13/139.4
D735,392 S *	7/2015	Ng	D26/76

* cited by examiner

Primary Examiner — George D Kirschbaum

Assistant Examiner — Natasha Vujcic

(74) *Attorney, Agent, or Firm* — Morgan, Lewis & Bockius LLP

(57) **CLAIM**

The ornamental design for a lighting apparatus, as shown and described.

DESCRIPTION

FIG. 1 is a front, right side, perspective view of a lighting apparatus showing our new design; FIG. 2 is a front view thereof; FIG. 3 is a rear view thereof; FIG. 4 is a left side view thereof; FIG. 5 is a right side view thereof; FIG. 6 is a top view thereof; and, FIG. 7 is a bottom view thereof.

1 Claim, 2 Drawing Sheets

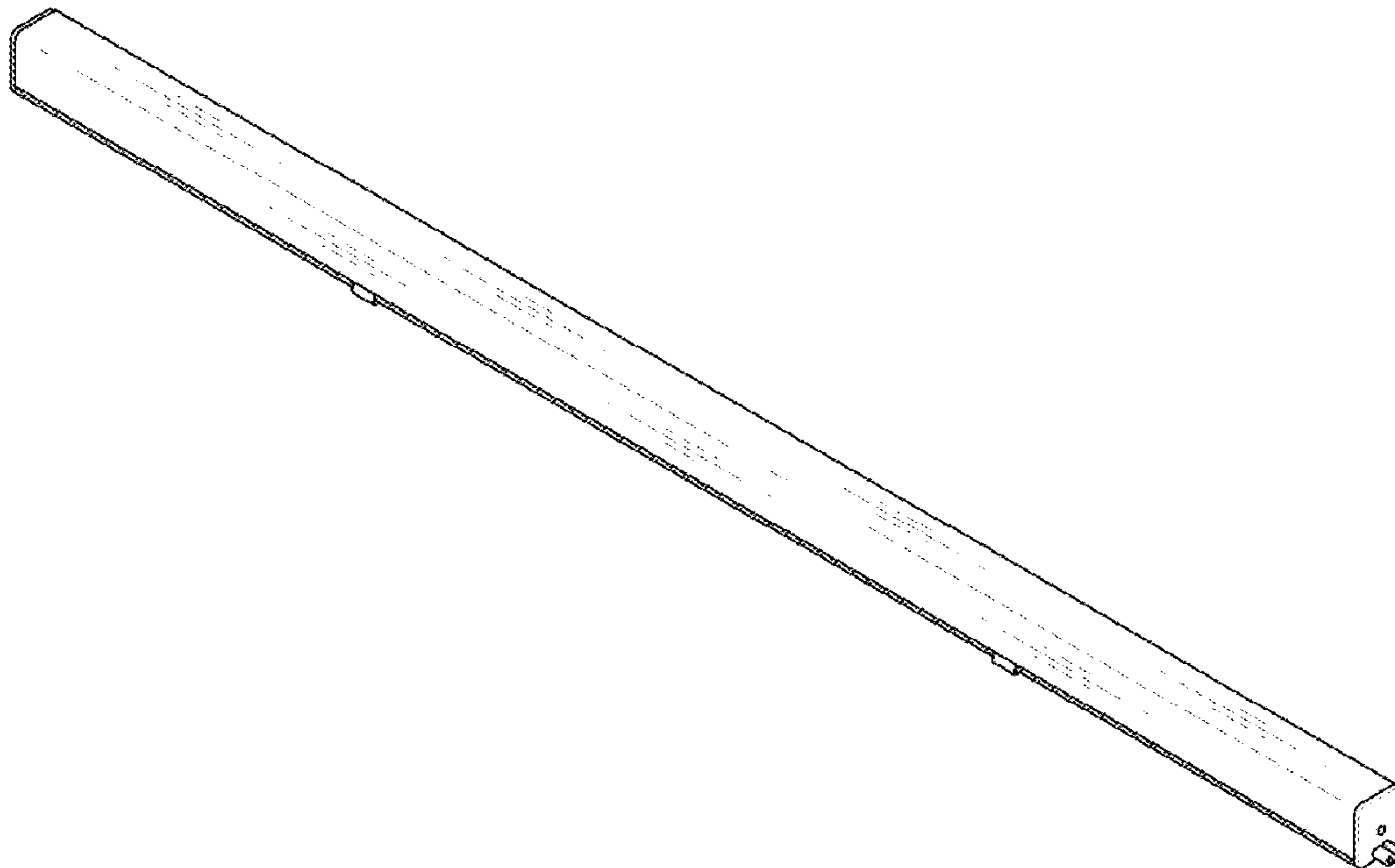


FIG. 1

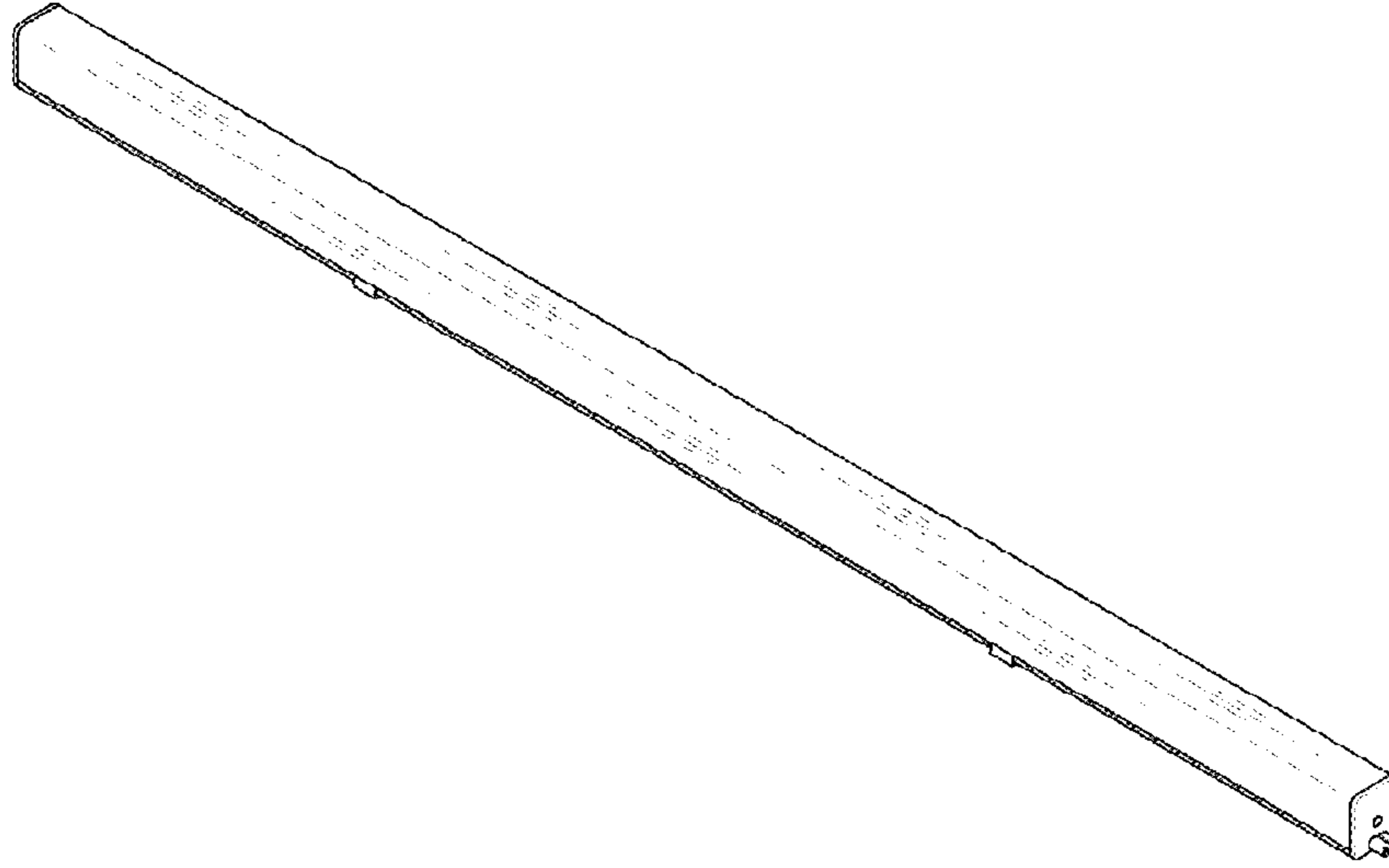


FIG. 2

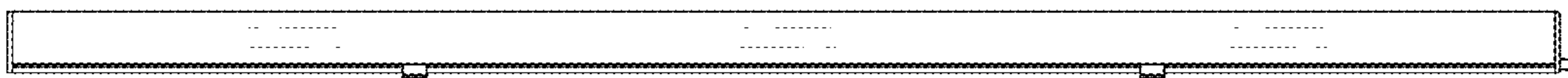


FIG. 3

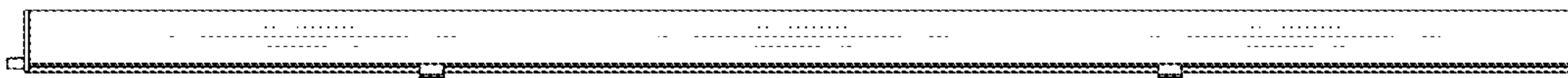


FIG. 4



FIG. 5



FIG. 6

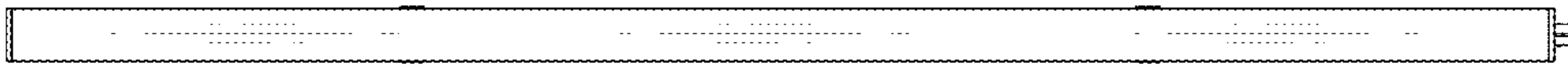


FIG. 7

