

US00D756551S

(12) **United States Design Patent**
Handt et al.

(10) **Patent No.:** **US D756,551 S**

(45) **Date of Patent:** **** May 17, 2016**

(54) **HEADLIGHT FOR A VEHICLE**

(56) **References Cited**

(71) Applicant: **Daimler AG**, Stuttgart (DE)

U.S. PATENT DOCUMENTS

(72) Inventors: **Stefan Handt**, Stuttgart (DE); **Robert Lesnik**, Leonberg (DE); **Gorden Wagener**, Gaeufelden (DE)

D538,956 S	*	3/2007	Ishii	D26/28
D544,614 S	*	6/2007	Markefka	D26/28
D561,358 S	*	2/2008	Tachibana	D26/28
D570,007 S	*	5/2008	Hsu	D26/28
D582,587 S	*	12/2008	Yang	D26/28
D593,232 S	*	5/2009	Koman	D26/28
D635,694 S	*	4/2011	Yang	D26/28

(73) Assignee: **Daimler AG**, Stuttgart (DE)

* cited by examiner

(**) Term: **14 Years**

Primary Examiner — Marcus Jackson

(21) Appl. No.: **29/517,179**

(74) *Attorney, Agent, or Firm* — Crowell & Moring LLP

(22) Filed: **Feb. 11, 2015**

(57) **CLAIM**

The ornamental design for a headlight for a vehicle, as shown and described.

(30) **Foreign Application Priority Data**

DESCRIPTION

Aug. 12, 2014 (WO) DM/084 156

FIG. 1 is a right perspective view of a first embodiment of a headlight for a vehicle according to the design;

(51) **LOC (10) Cl.** **26-06**

FIG. 2 is a right side view thereof; and

(52) **U.S. Cl.**
USPC **D26/28**

FIG. 3 is a front view thereof.

(58) **Field of Classification Search**
USPC D26/28-36; 362/459-468, 475-478,
362/485-487
CPC F21S 48/00; F21S 48/10; F21S 48/115;
F21S 48/225; F21S 48/1233; F21S 48/1266;
F21S 48/1388; F21S 48/2268; F21V 21/04
See application file for complete search history.

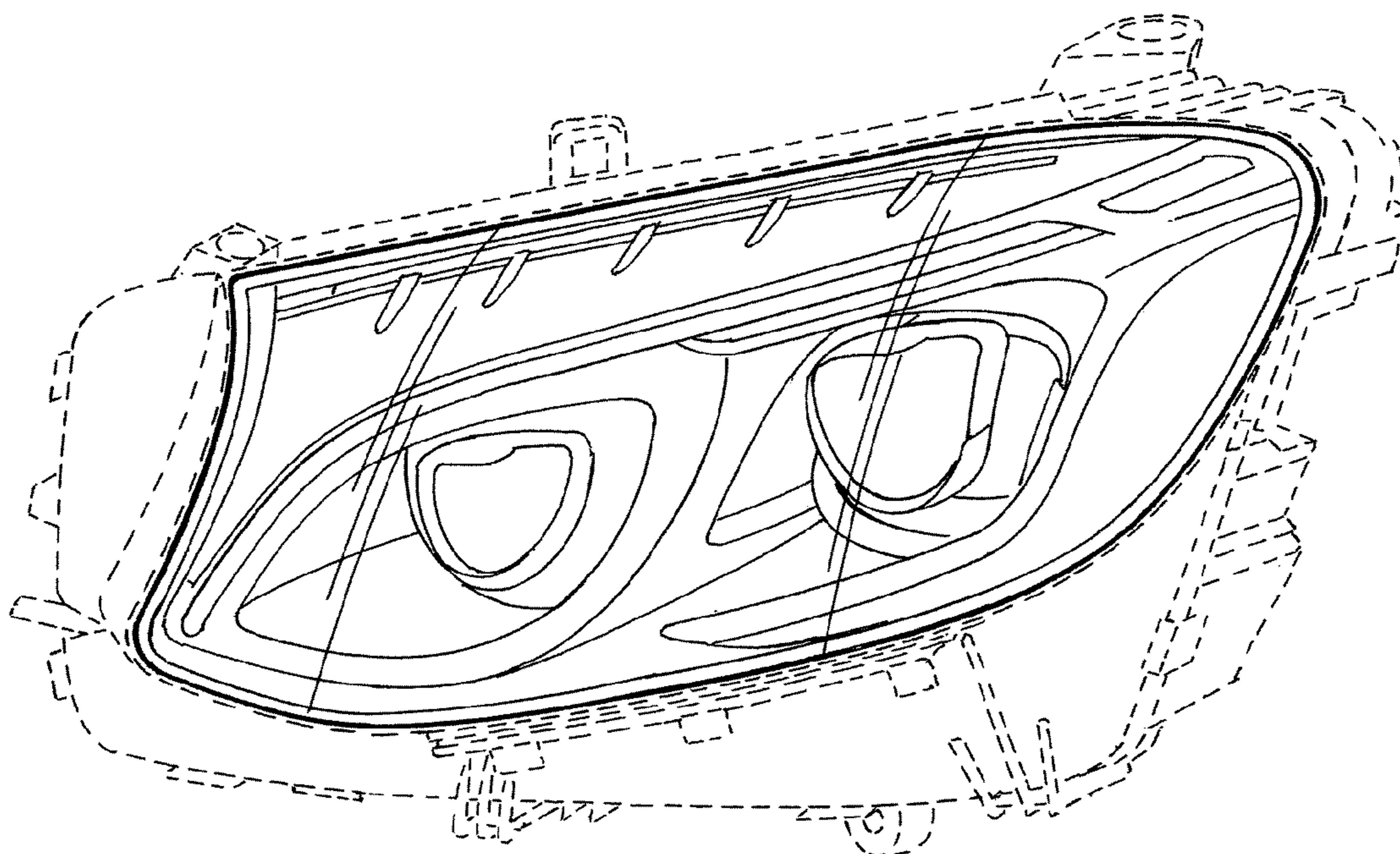
FIG. 4 is a left perspective view of a second embodiment of the headlight for a vehicle thereof, with the headlight for a vehicle for the opposite side of the vehicle being depicted in the first embodiment;

FIG. 5 is a left side view thereof; and,

FIG. 6 is a front view thereof.

The broken lines are for illustrative purposes only and form no part of the claimed design. Also enclosed is a set of photographs of an embodiment of the design.

1 Claim, 4 Drawing Sheets



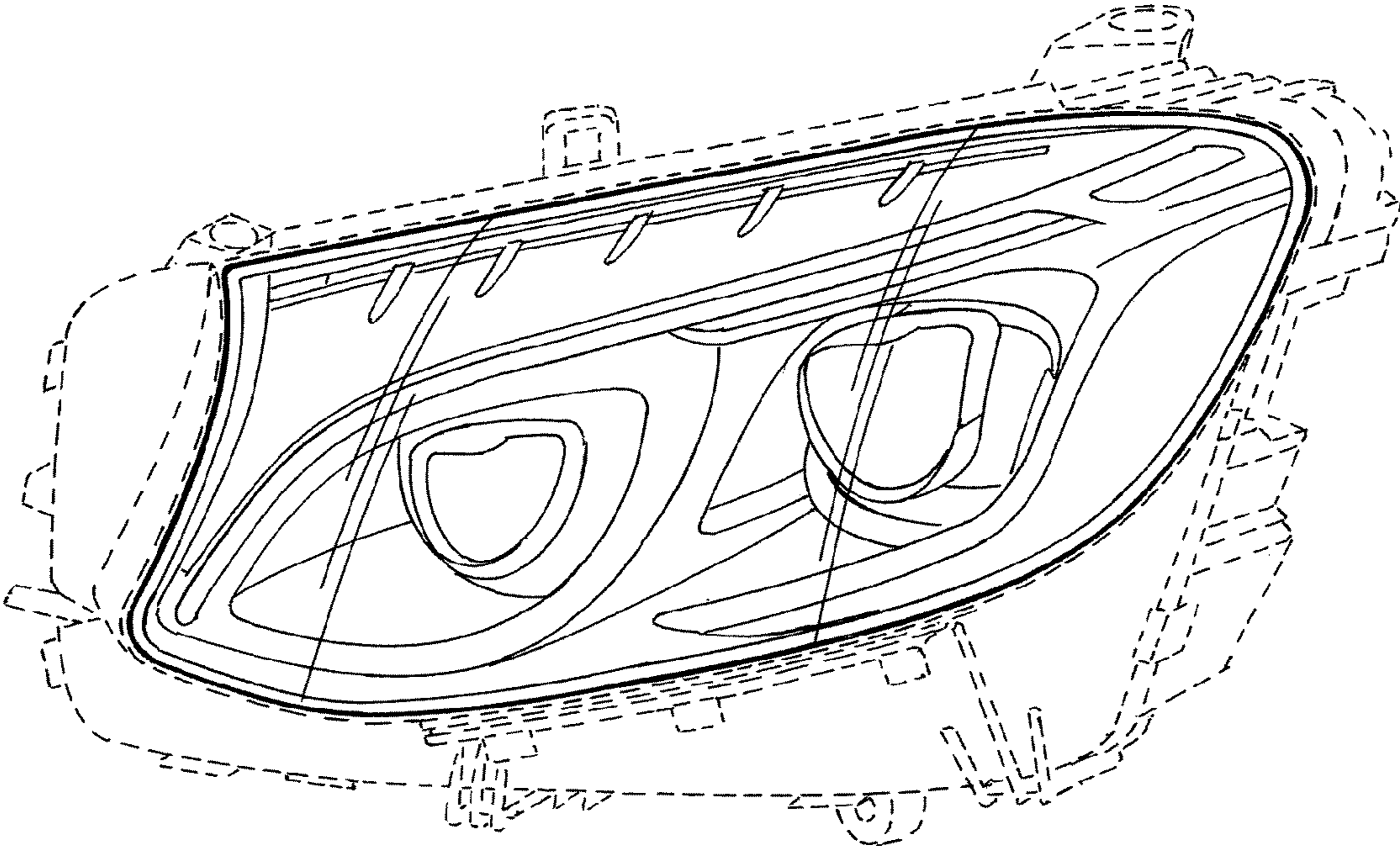


FIG. 1

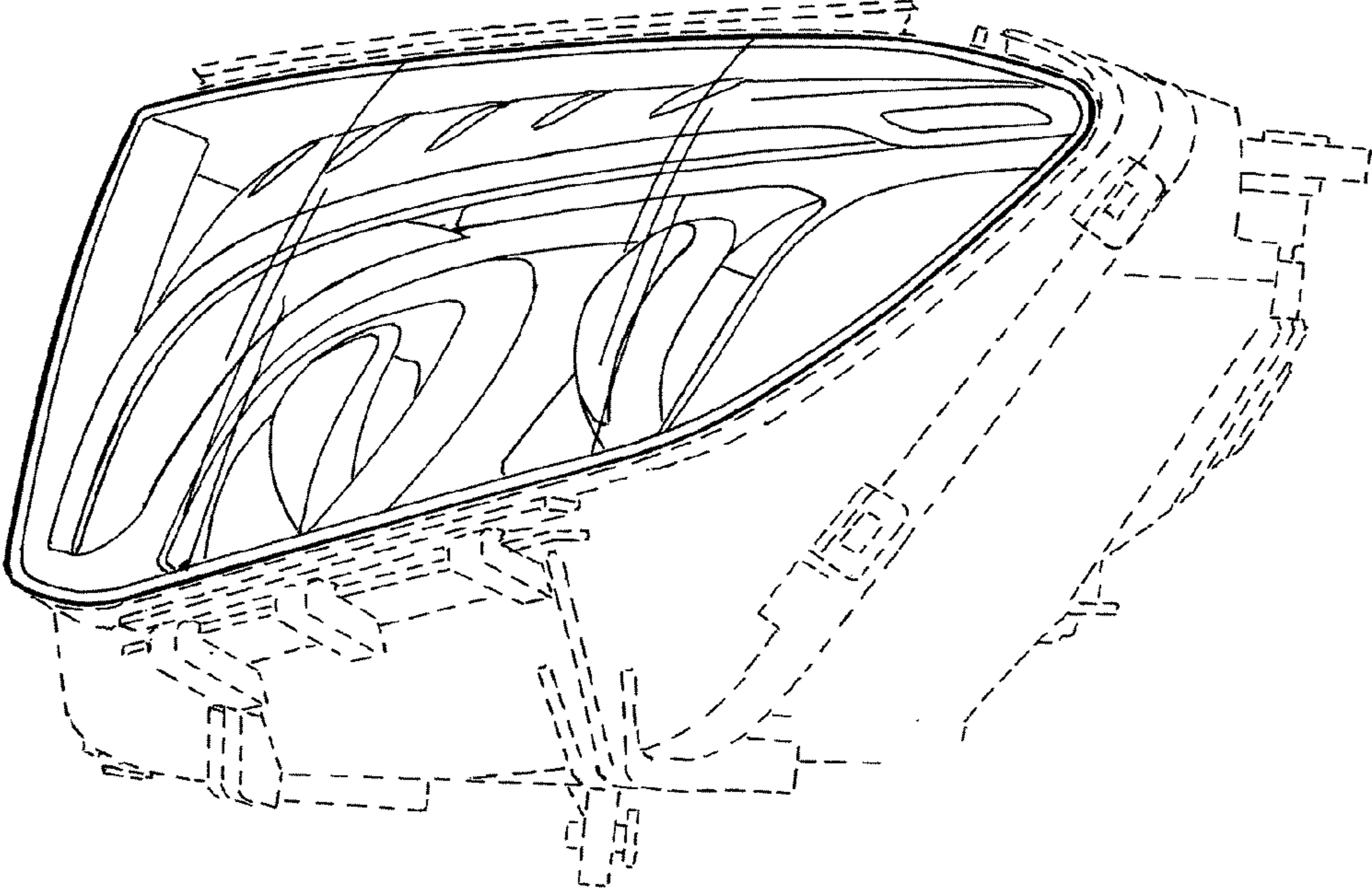


FIG. 2

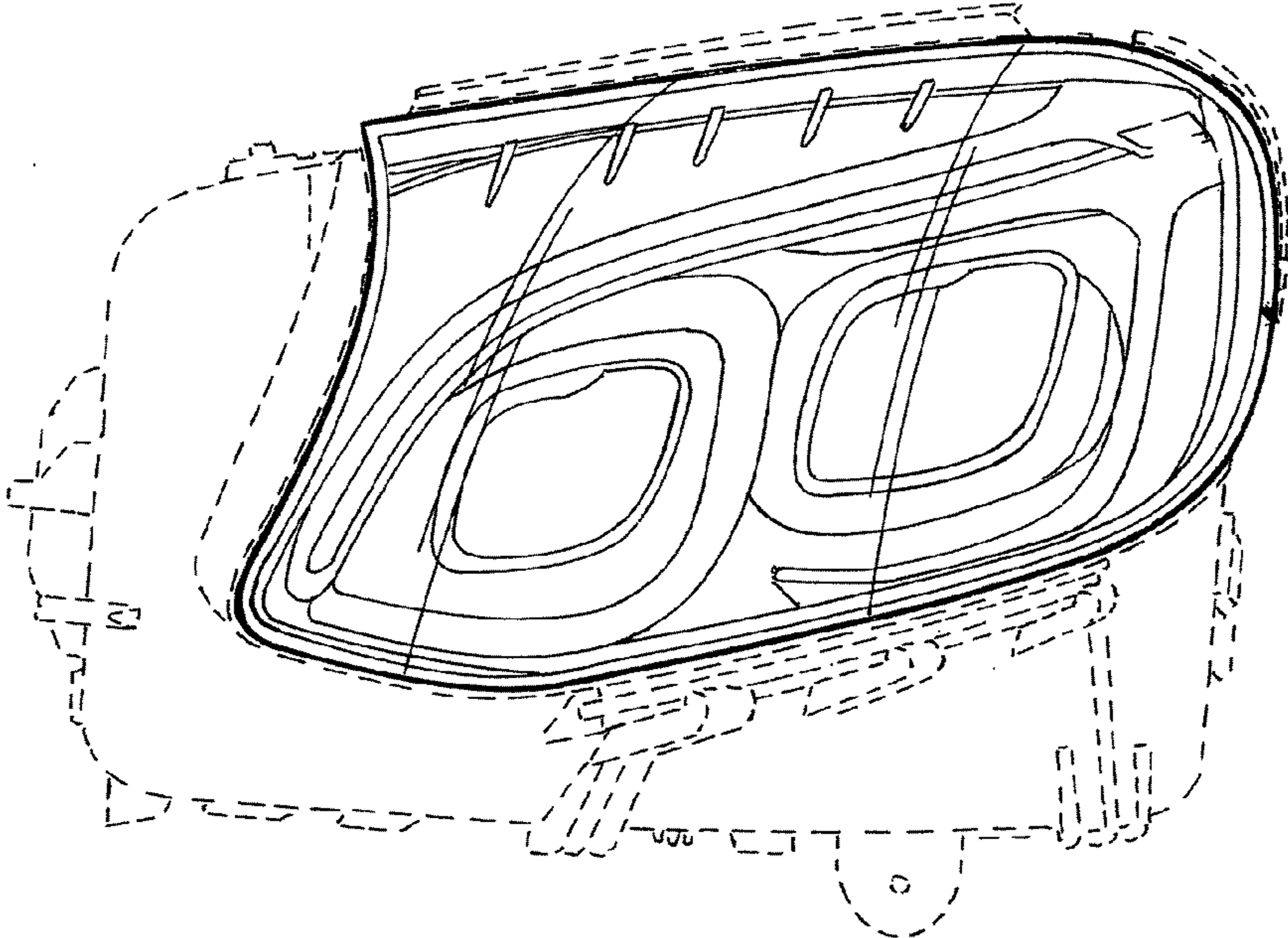


FIG. 3

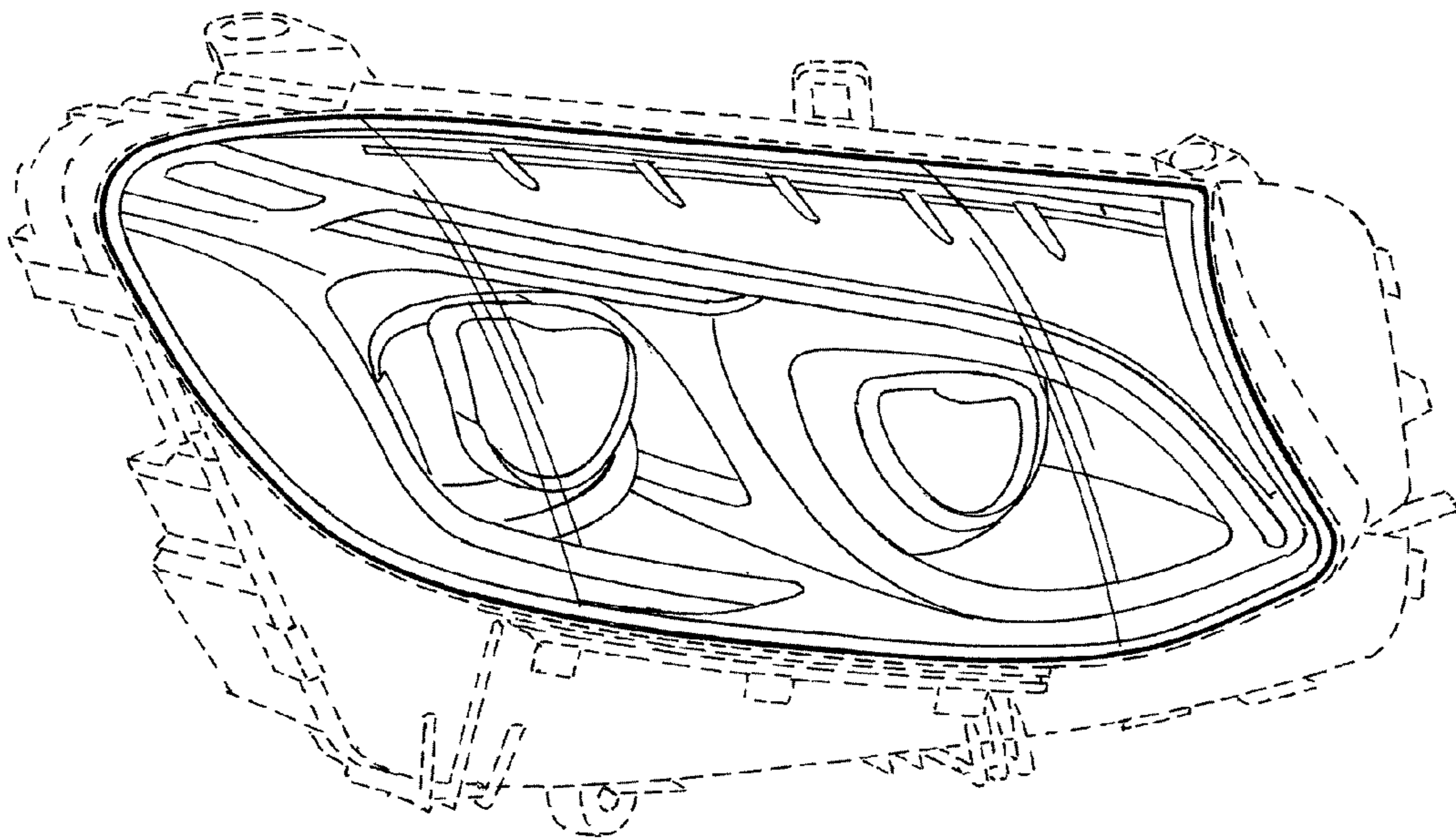


FIG. 4

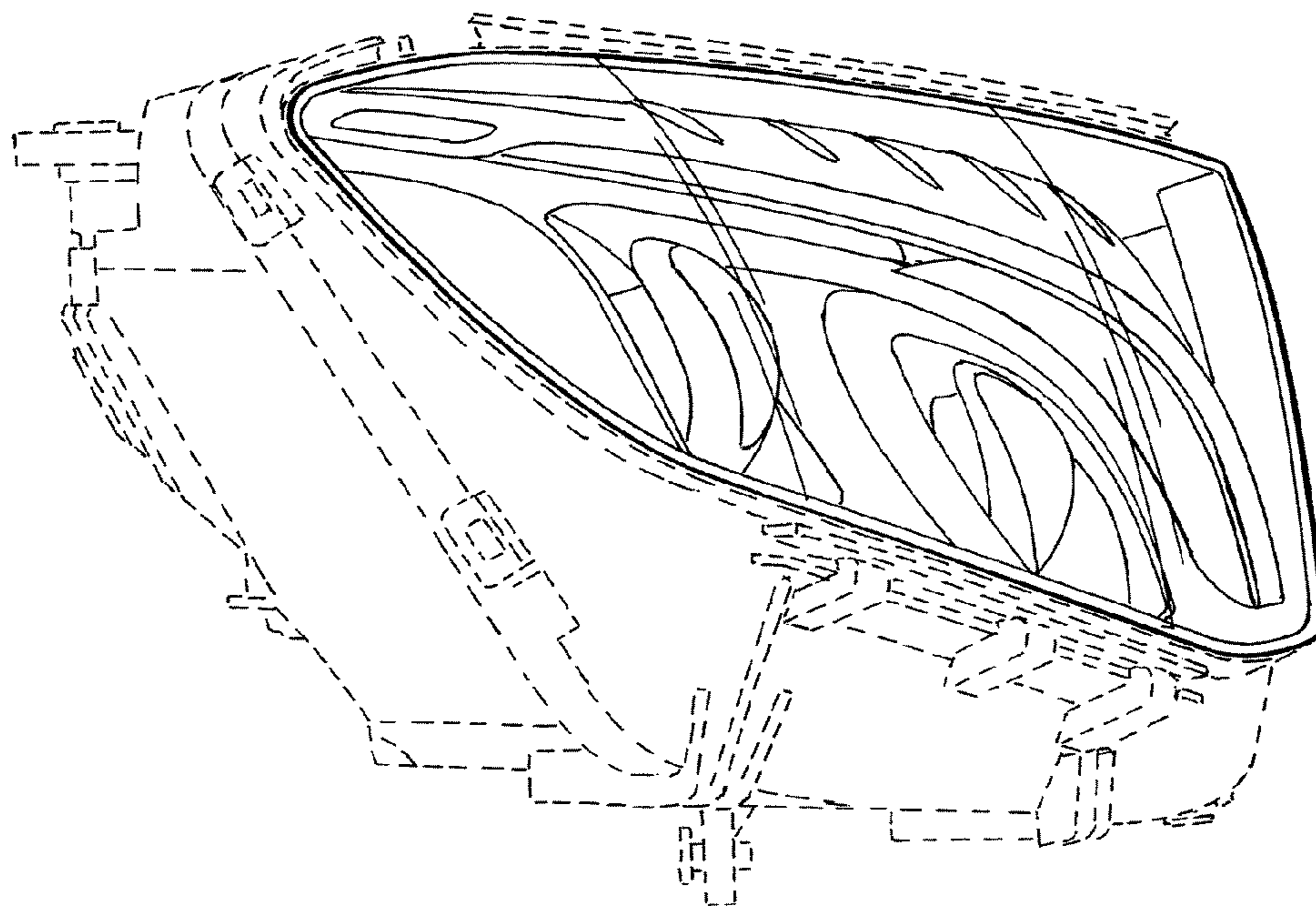


FIG. 5

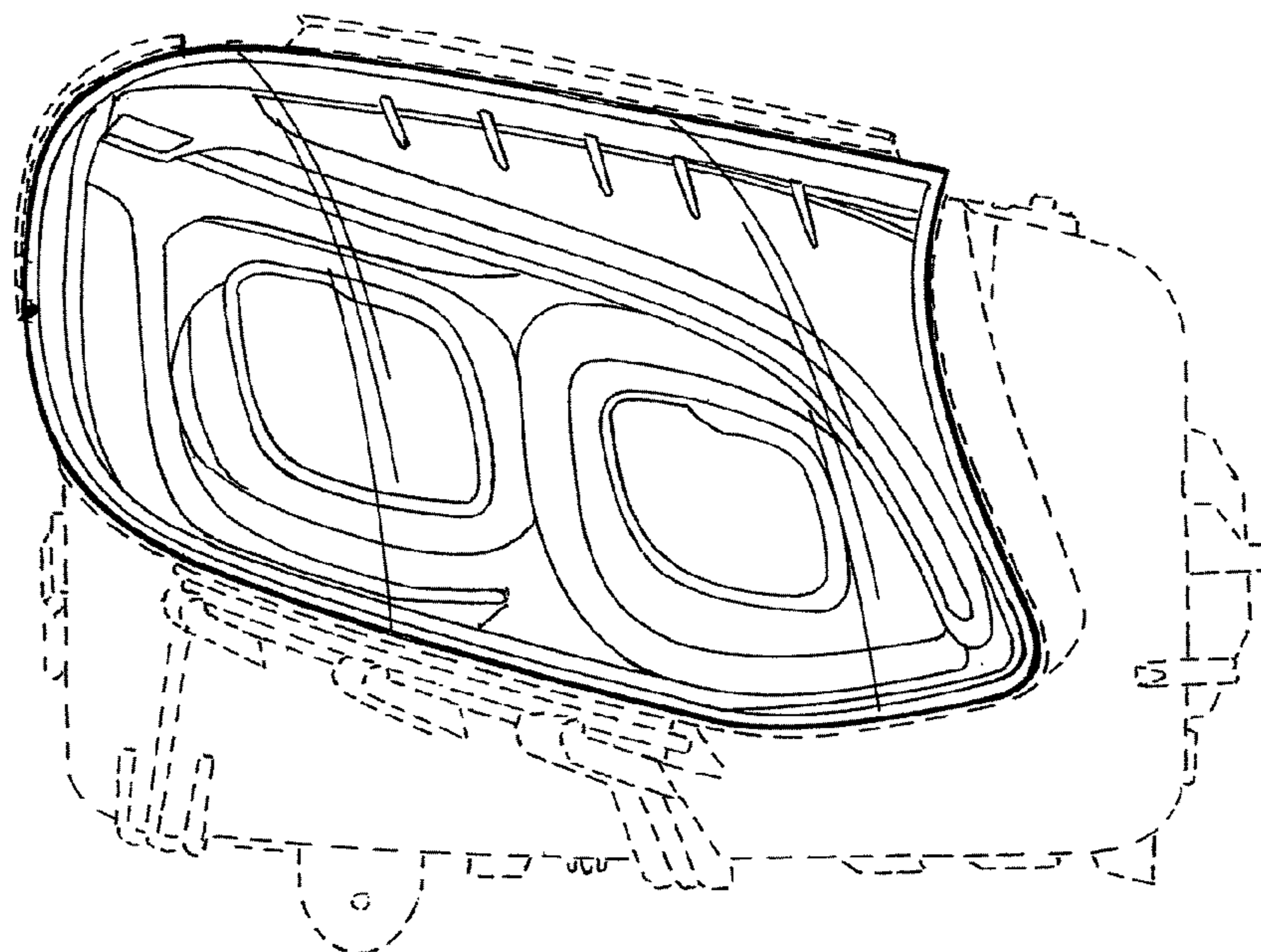


FIG. 6