



US00D756549S

(12) **United States Design Patent**  
**Lai**

(10) **Patent No.:** **US D756,549 S**  
(45) **Date of Patent:** **\*\* May 17, 2016**

(54) **VEHICLE TAILLIGHT**

(56) **References Cited**

(71) Applicant: **LITEK ENTERPRISE CO., LTD.**,  
Tainan (TW)

U.S. PATENT DOCUMENTS

(72) Inventor: **Ching-Tsung Lai**, Tainan (TW)

D586,020	S	*	2/2009	Hsu	.....	D26/28
D586,023	S	*	2/2009	Hsu	.....	D26/28
D674,939	S	*	1/2013	Lai	.....	D26/28
D705,962	S	*	5/2014	Hildebrand	.....	D26/28
D708,770	S	*	7/2014	Lai	.....	D26/28
D714,982	S	*	10/2014	Lai	.....	D26/28

(73) Assignee: **LITEK ENTERPRISE CO., LTD.**,  
Tainan (TW)

\* cited by examiner

(\*\*) Term: **14 Years**

*Primary Examiner* — Ian Simmons

(21) Appl. No.: **29/497,125**

*Assistant Examiner* — Harold Blackwell, II

(22) Filed: **Jul. 21, 2014**

(74) *Attorney, Agent, or Firm* — Muncy, Geissler, Olds & Lowe, P.C.

**Related U.S. Application Data**

(57) **CLAIM**

(63) Continuation-in-part of application No. 29/473,127,  
filed on Nov. 19, 2013, now Pat. No. Des. 745,197.

The ornamental design for a vehicle taillight, as shown and described.

(51) **LOC (10) Cl.** ..... **26-06**

**DESCRIPTION**

(52) **U.S. Cl.**

USPC ..... **D26/28**

(58) **Field of Classification Search**

USPC ..... D26/28-36; 362/459-476, 485-487,  
362/543-549; D12/163, 170, 171

CPC ..... F21S 48/00; F21S 8/10; F21S 48/10;  
F21S 48/1195

FIG. 1 is a perspective view of a vehicle taillight showing my present design;

FIG. 2 is a front view thereof;

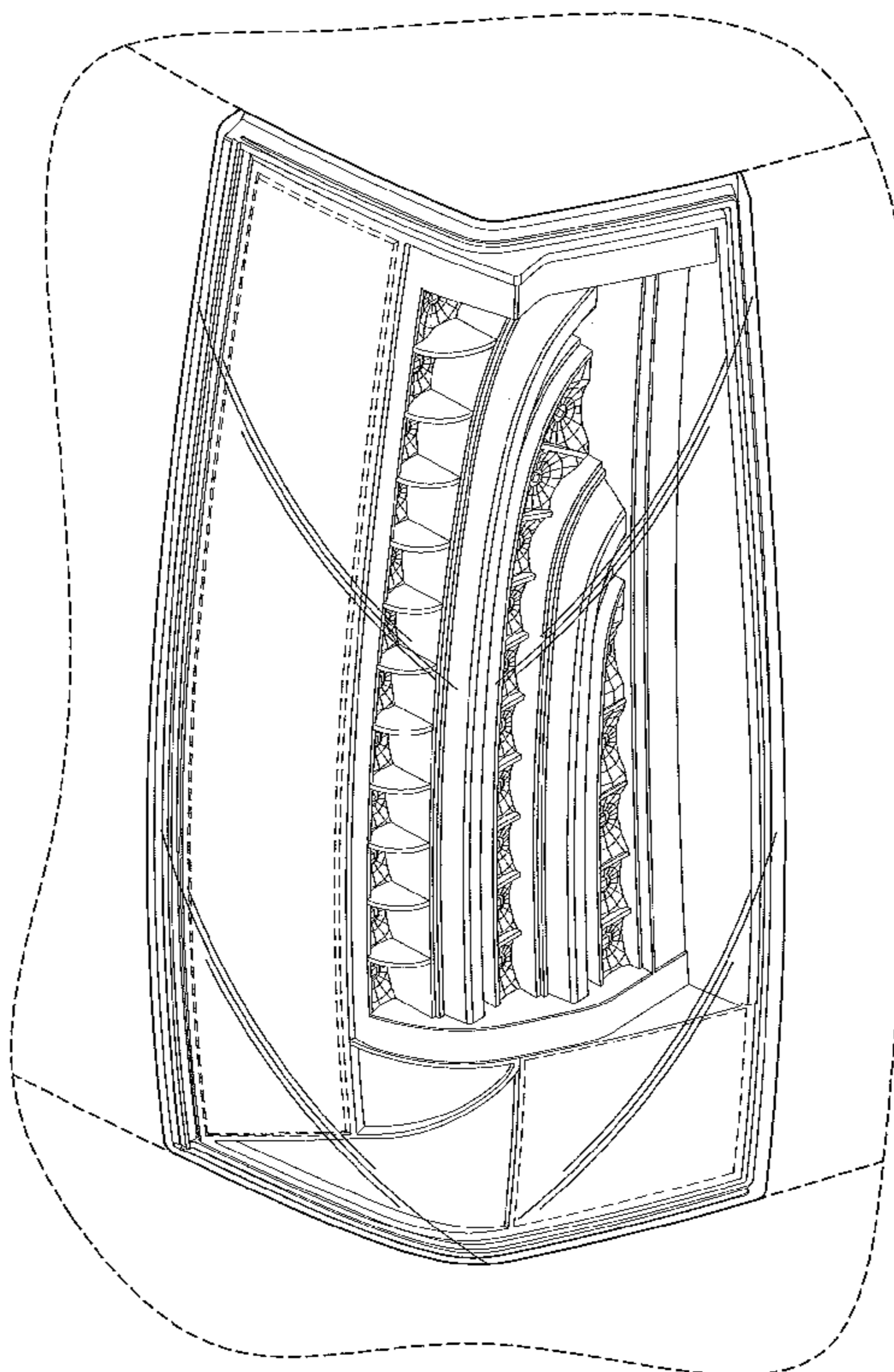
FIG. 3 is a left view thereof; and,

FIG. 4 is a top plan view thereof.

The broken lines in FIGS. 1-4 illustrate portions of the vehicle taillight which form no part of the claimed design.

See application file for complete search history.

**1 Claim, 4 Drawing Sheets**



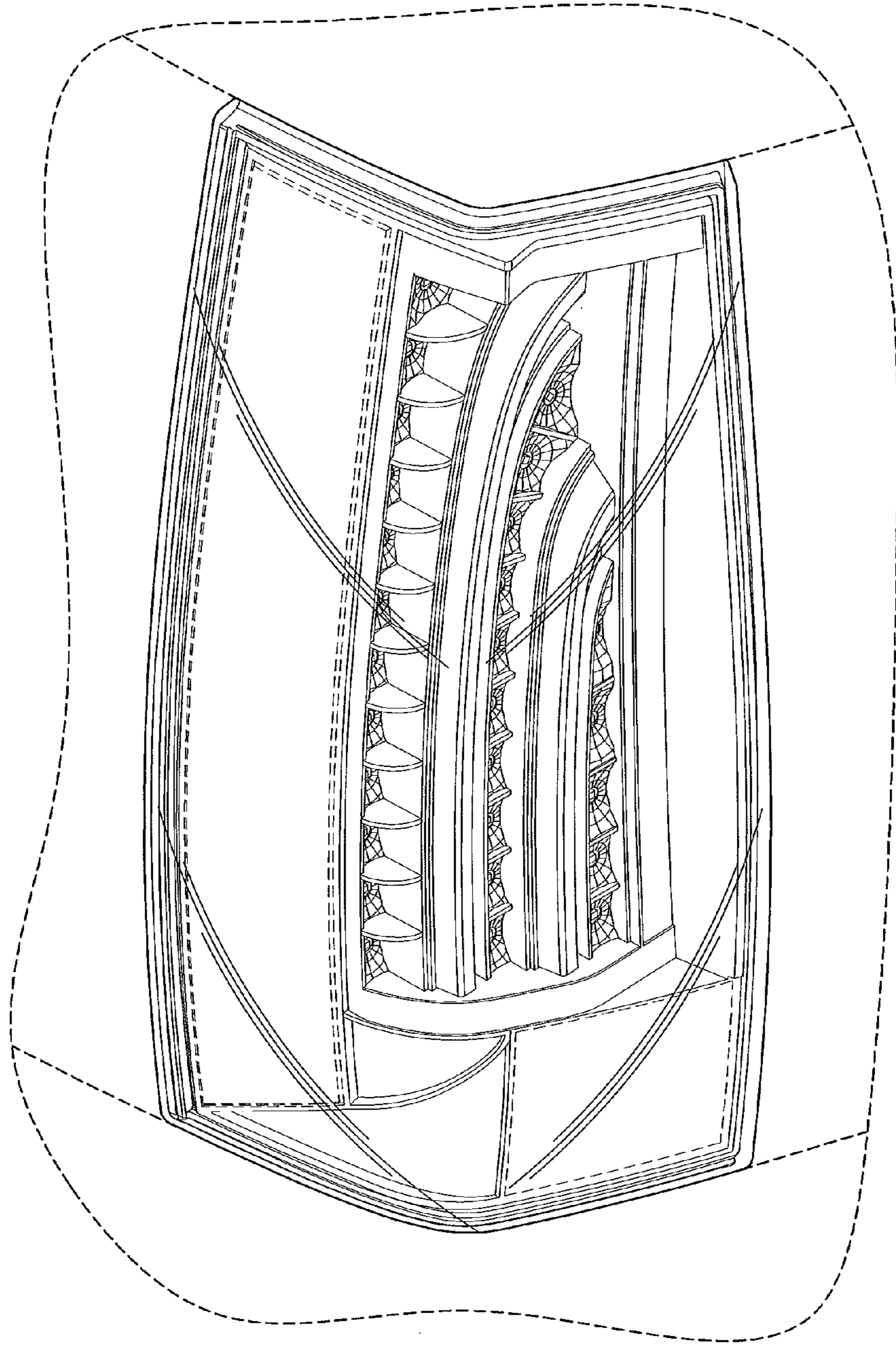


FIG. 1

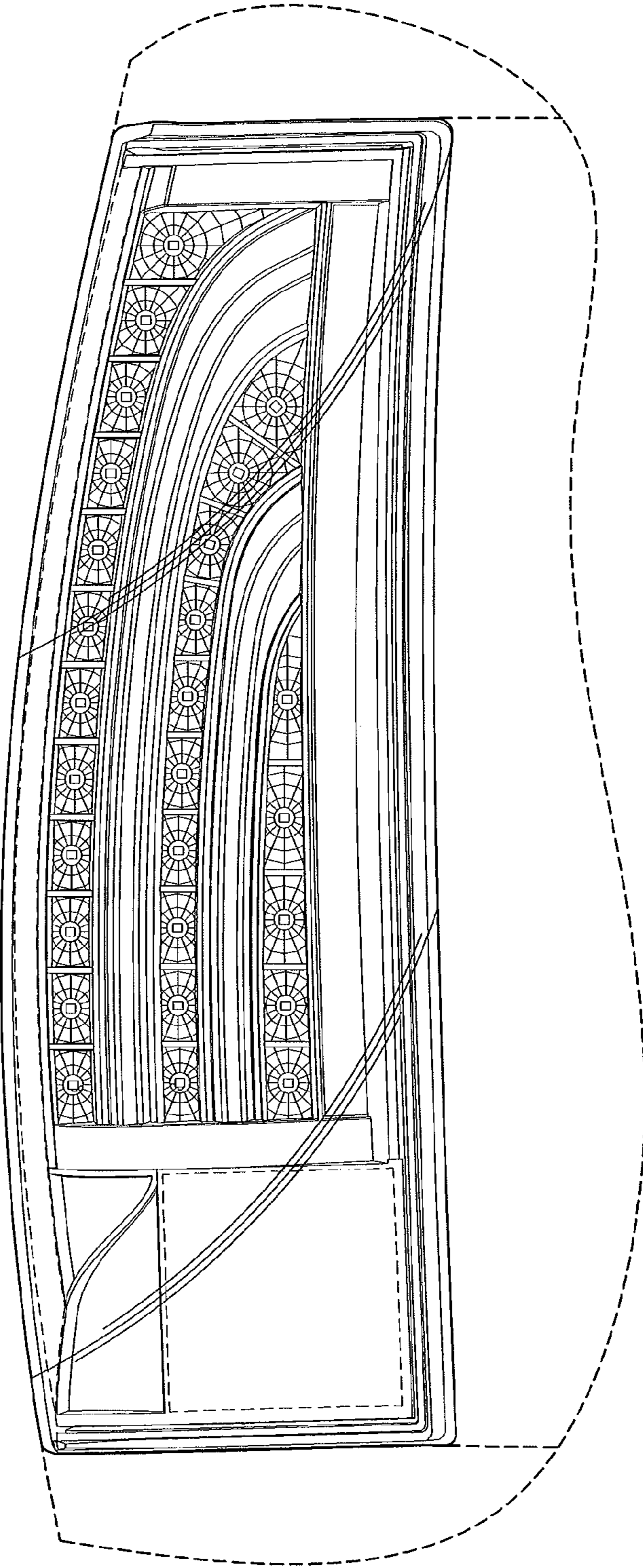


FIG. 2

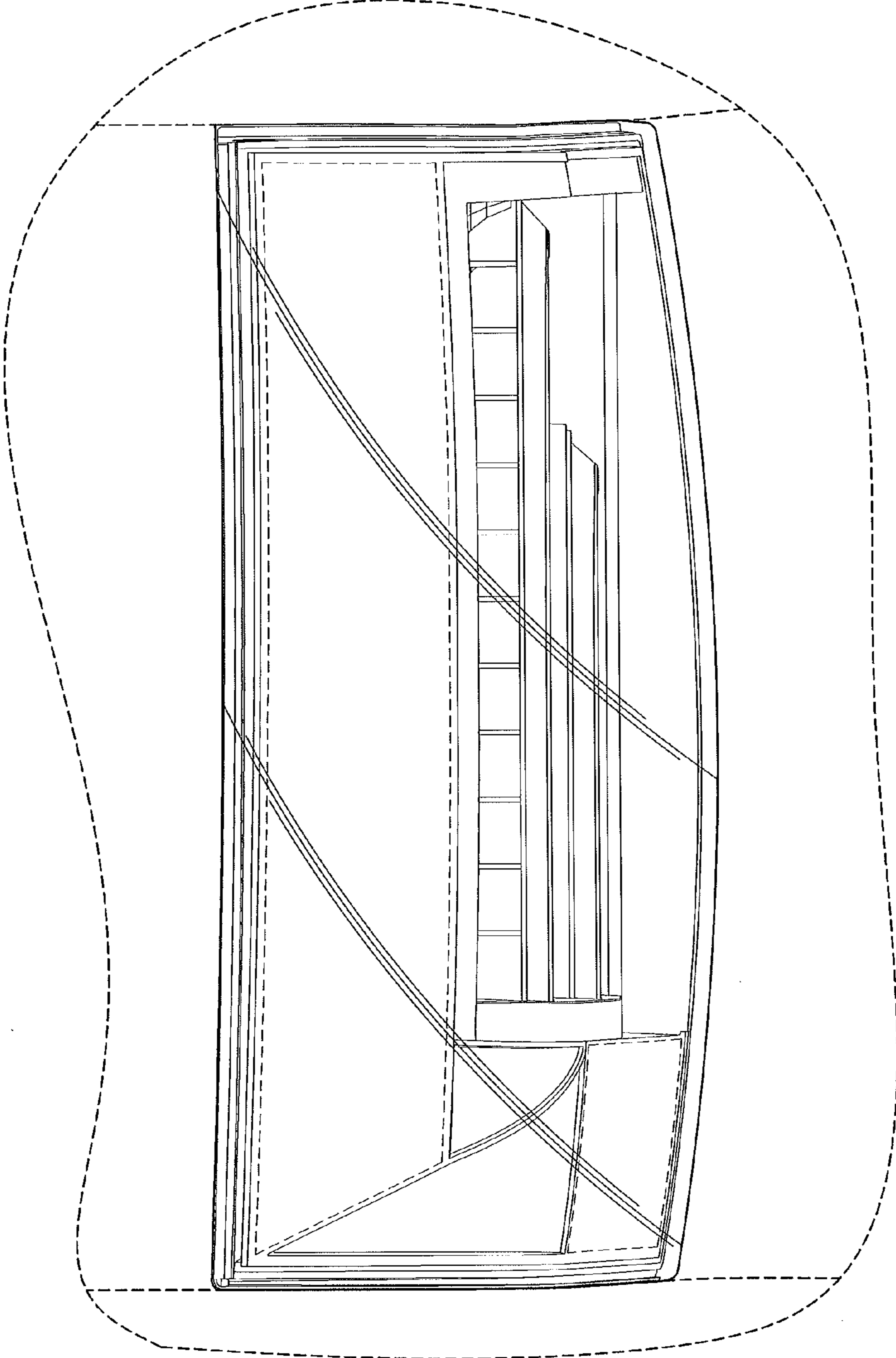


FIG . 3

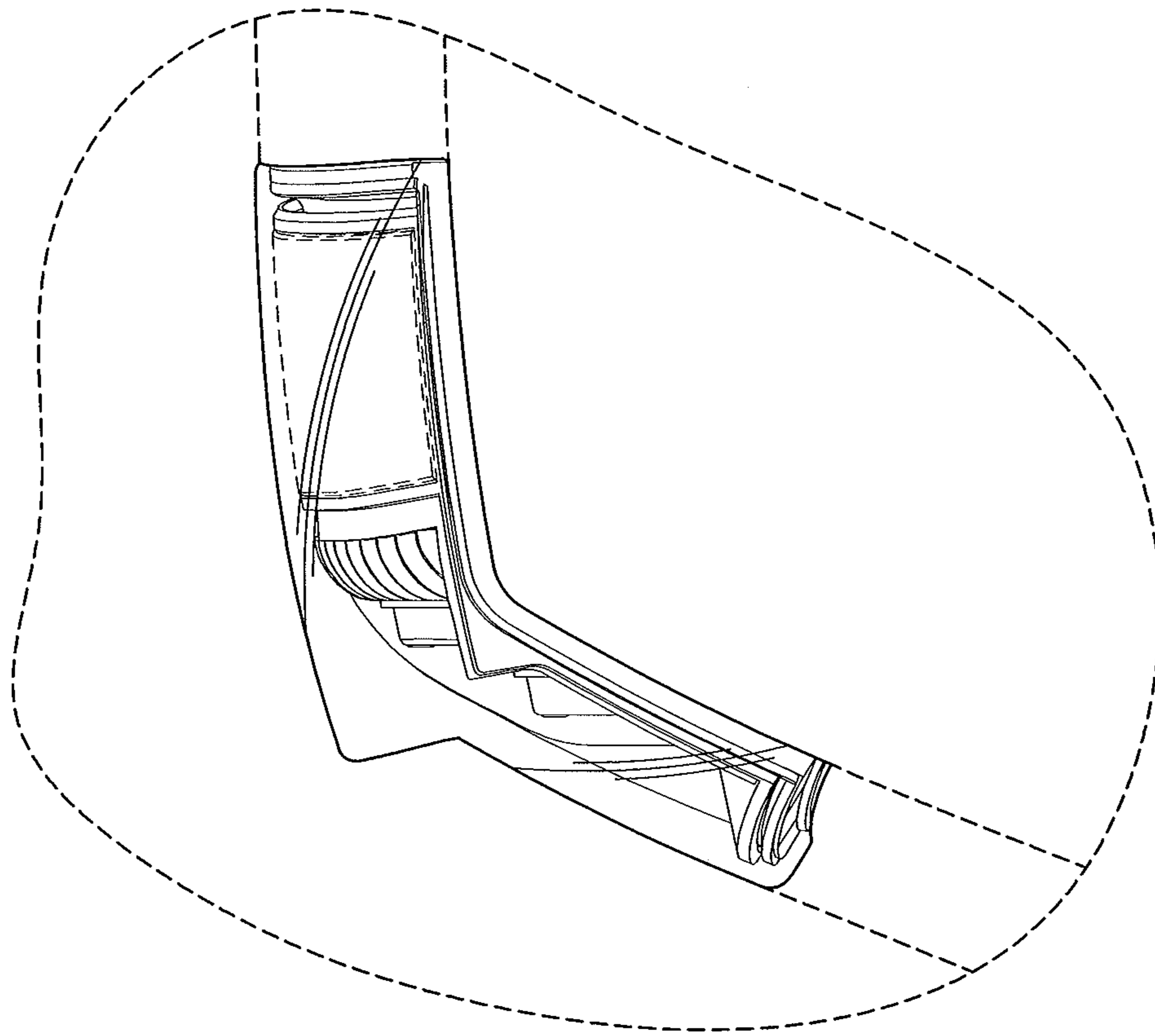


FIG. 4