



US00D756548S

(12) **United States Design Patent**
Wang et al.

(10) **Patent No.:** **US D756,548 S**
(45) **Date of Patent:** **** May 17, 2016**

(54) **LIGHTING DEVICE**

D696,439 S * 12/2013 He D26/24
D696,801 S * 12/2013 He D26/24
D697,646 S * 1/2014 He D26/24

(71) Applicant: **OSRAM GmbH**, Munich (DE)

(72) Inventors: **Hua Wang**, Shenzhen Guangdong (CN);
HongWei Zhang, Shenzhen Guangdong (CN)

FOREIGN PATENT DOCUMENTS

CN 301787935 S 1/2012
CN 301806818 S 1/2012
EM 001791773-0001 12/2010
EM 001791971-0001 12/2010
JP 1441276 4/2012
JP 1441277 4/2012
KR 300683434 2/2013
KR 3006834340001 2/2013

(73) Assignee: **OSRAM GmbH**, Munich (DE)

(**) Term: **14 Years**

* cited by examiner

(21) Appl. No.: **29/509,552**

(22) Filed: **Nov. 19, 2014**

Primary Examiner — Brian N Vinson

(30) **Foreign Application Priority Data**

Jul. 4, 2014 (EM) 001416515

(74) *Attorney, Agent, or Firm* — Viering, Jentschura & Partner mbB

(51) **LOC (10) CL.** **26-03**

(57) **CLAIM**

(52) **U.S. CL.**
USPC **D26/24**

The ornamental design for a lighting device, as shown and described.

(58) **Field of Classification Search**
USPC D26/1, 24, 51, 72, 104, 80
CPC F21V 7/09; F21V 21/30; F21L 4/00;
F21L 7/00; F21L 15/16; F21S 8/09
See application file for complete search history.

DESCRIPTION

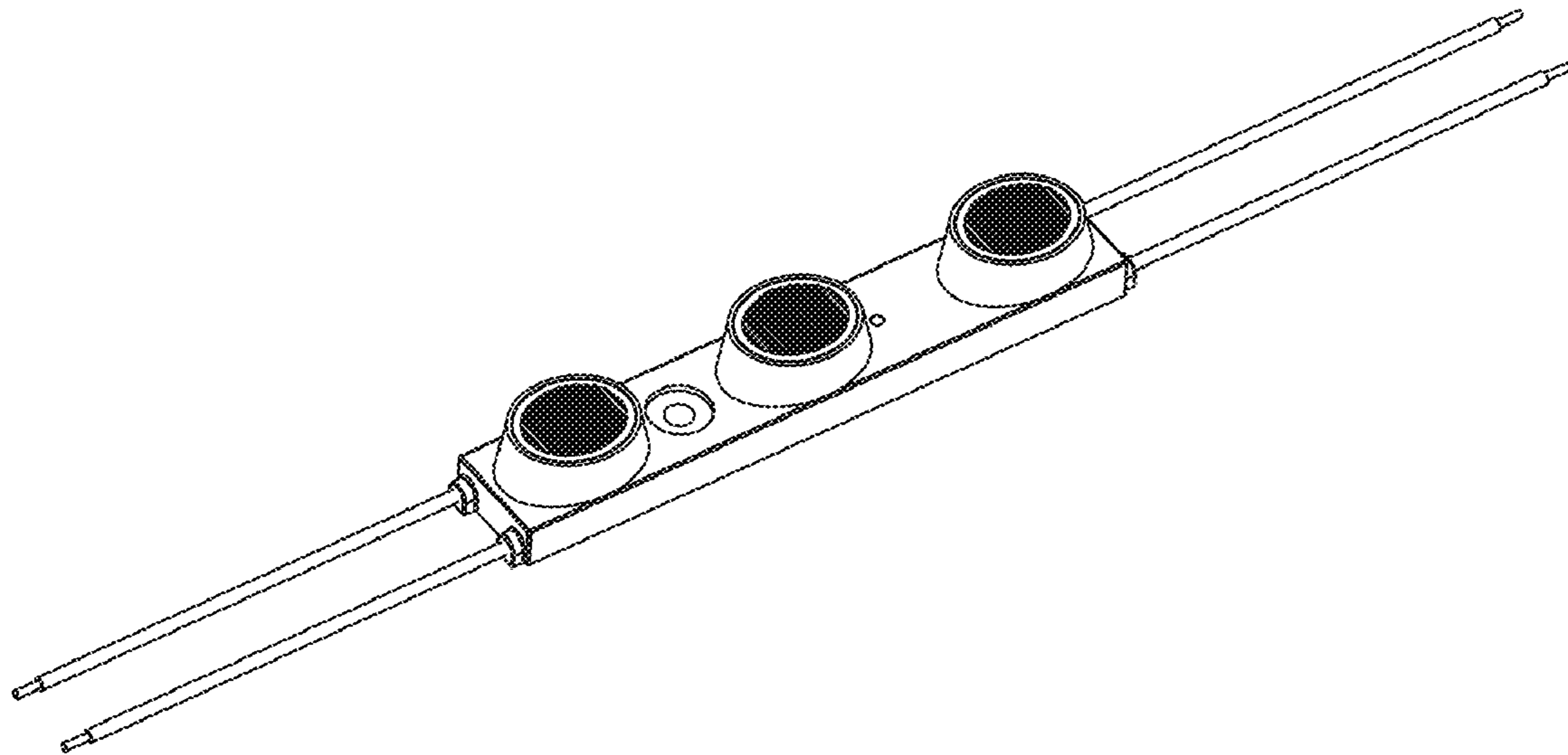
FIG. 1 is a perspective view of a lighting device,
FIG. 2 is a top view of the lighting device,
FIG. 3 is a front view of the lighting device,
FIG. 4 is a right side view of the lighting device,
FIG. 5 is a back view of the lighting device,
FIG. 6 is a left side view of the lighting device; and,
FIG. 7 is a bottom view of the lighting device.

(56) **References Cited**

U.S. PATENT DOCUMENTS

D595,887 S * 7/2009 Blom D26/24
D654,607 S * 2/2012 Kim D26/24

1 Claim, 2 Drawing Sheets



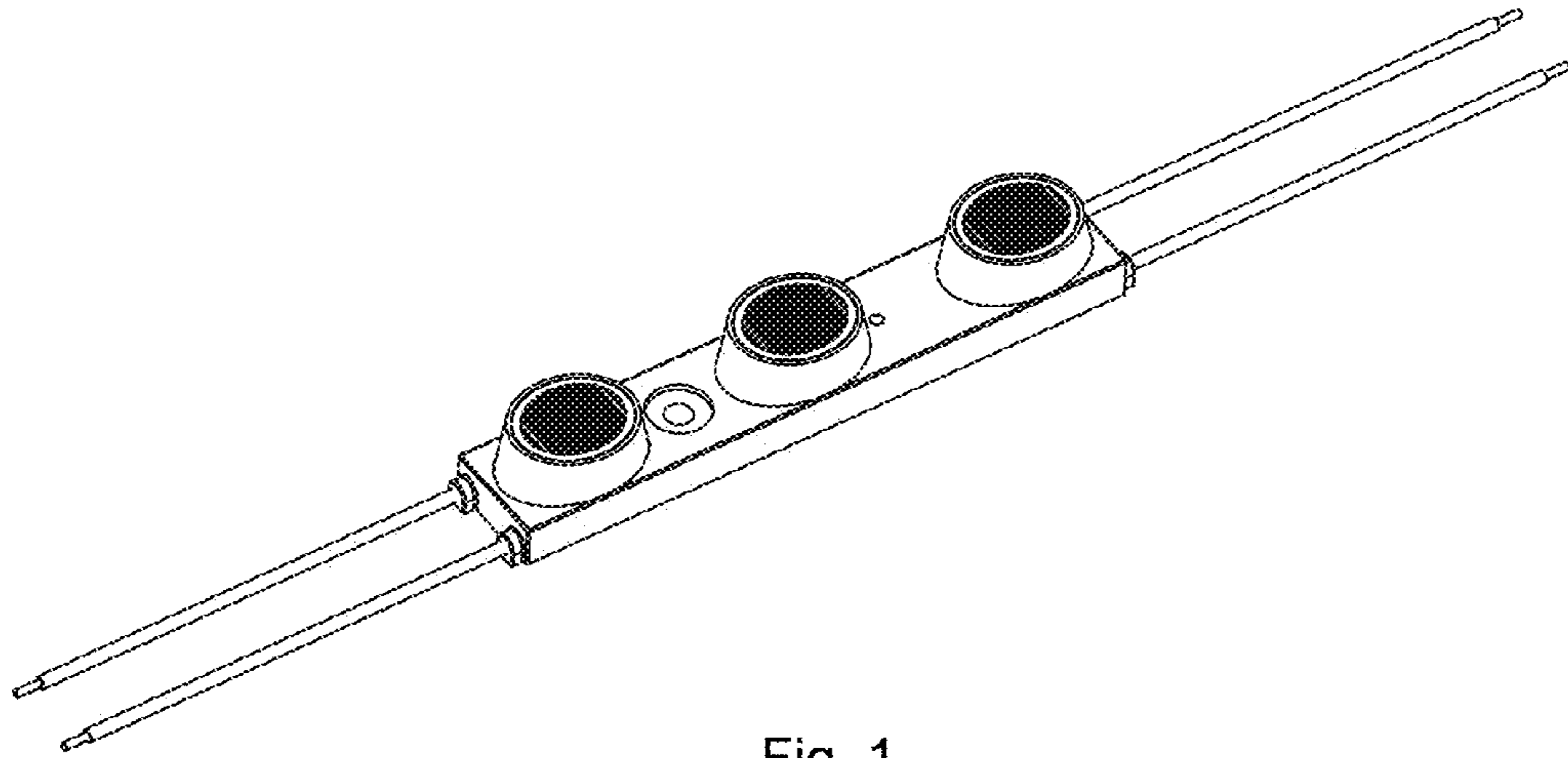


Fig. 1

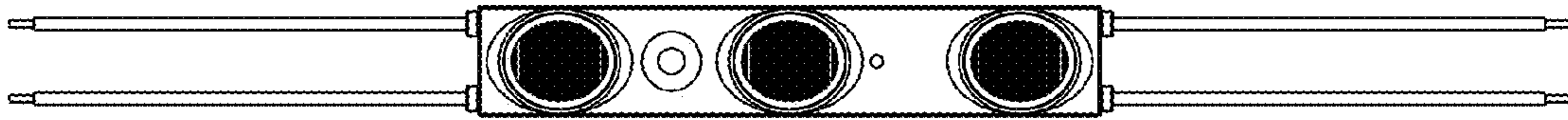


Fig. 2

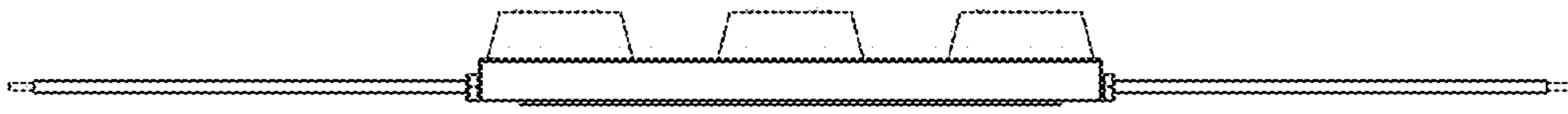


Fig. 3



Fig. 4

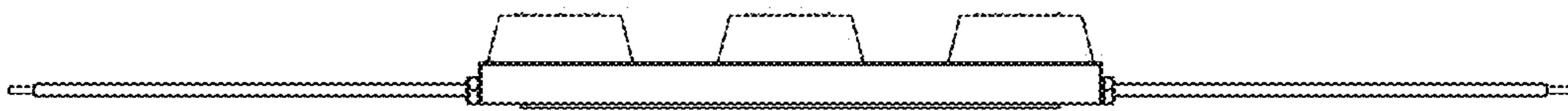


Fig. 5



Fig. 6



Fig. 7