



US00D756547S

(12) **United States Design Patent**
Zhang et al.

(10) **Patent No.:** **US D756,547 S**
(45) **Date of Patent:** **** May 17, 2016**

(54) **LIGHTING DEVICE**

D696,440 S 12/2013 He et al.
D696,801 S * 12/2013 He D26/24
D697,646 S * 1/2014 He D26/24

(71) Applicant: **OSRAM GmbH**, Munich (DE)

(72) Inventors: **HongWei Zhang**, Shenzhen Guangdong (CN); **Xinjian Zhang**, Shenzhen Guangdong (CN)

(73) Assignee: **OSRAM GmbH**, Munich (DE)

(**) Term: **14 Years**

(21) Appl. No.: **29/509,426**

(22) Filed: **Nov. 18, 2014**

(30) **Foreign Application Priority Data**

Jun. 5, 2014 (EM) 002477331

(51) **LOC (10) CL.** **26-03**

(52) **U.S. CL.**
USPC **D26/24**

(58) **Field of Classification Search**
USPC D26/1, 24, 51, 72, 104, 80
CPC F21L 4/00; F21L 7/00; F21L 15/16;
F21S 8/09; F21V 7/09; F21V 21/30
See application file for complete search history.

(56) **References Cited**

U.S. PATENT DOCUMENTS

D595,887 S * 7/2009 Blom D26/24
D654,607 S * 2/2012 Kim D26/24
D696,438 S 12/2013 He et al.
D696,439 S * 12/2013 He D26/24

FOREIGN PATENT DOCUMENTS

CN 301787936 S 1/2012
CN 301806817 S 1/2012
CN 301833316 S 2/2012
EM 001792177-0001 12/2010
EM 001792243-0001 12/2010
EM 001792284-0001 12/2010
JP 1441278 S 4/2012
JP 1441279 S 4/2012
JP 1441542 S 4/2012
KR 300683420 2/2013
KR 300683424 2/2013
KR 300683424-00-01 2/2013

* cited by examiner

Primary Examiner — Brian N Vinson

(74) *Attorney, Agent, or Firm* — Viering, Jentschura & Partner mbB

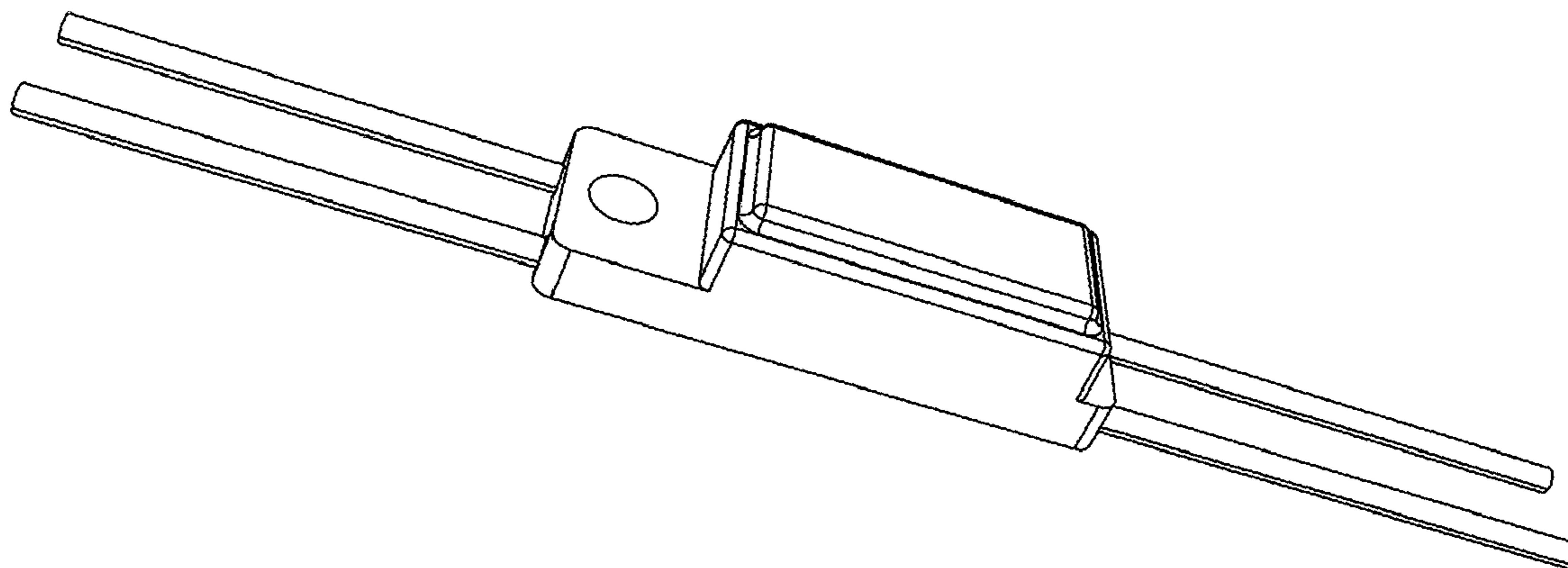
(57) **CLAIM**

The ornamental design for a lighting device, as shown and described.

DESCRIPTION

FIG. 1 is a perspective view of a lighting device, FIG. 2 is a top view of the lighting device, FIG. 3 is a front view of the lighting device, FIG. 4 is a right side view of the lighting device, FIG. 5 is a left side view of the lighting device, FIG. 6 is a back view of the lighting device; and, FIG. 7 is a bottom view of the lighting device.

1 Claim, 7 Drawing Sheets



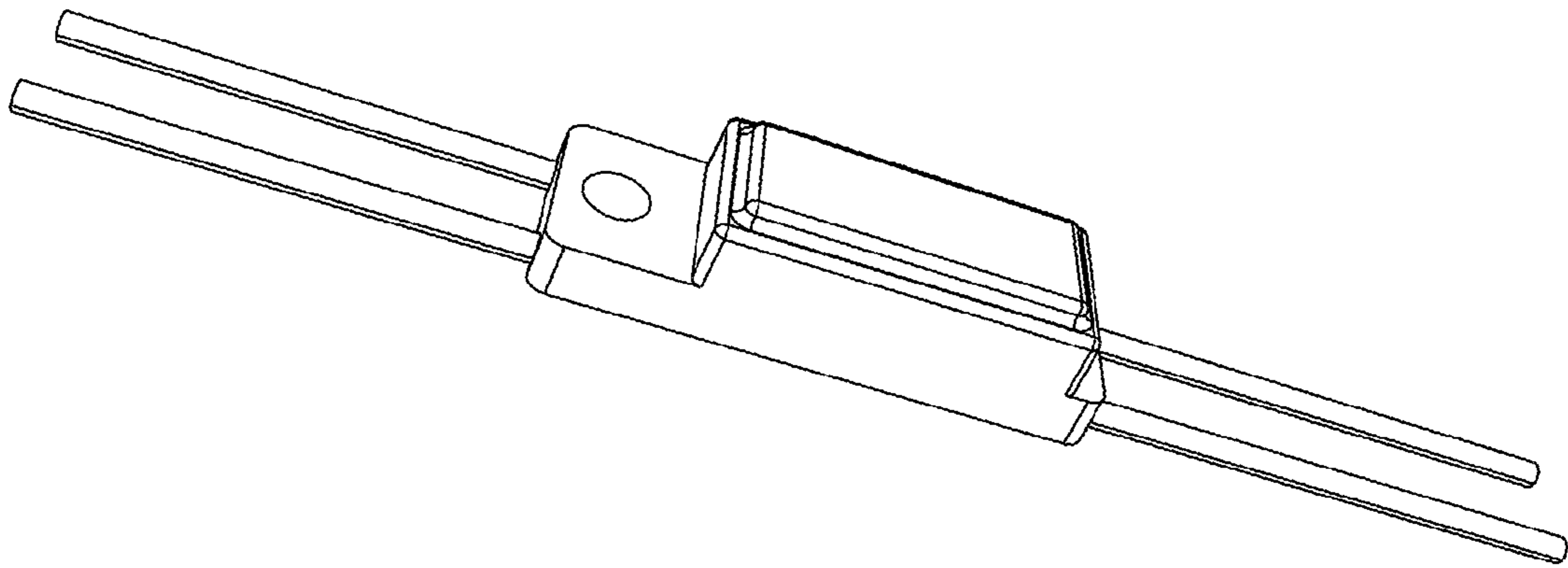


Fig. 1

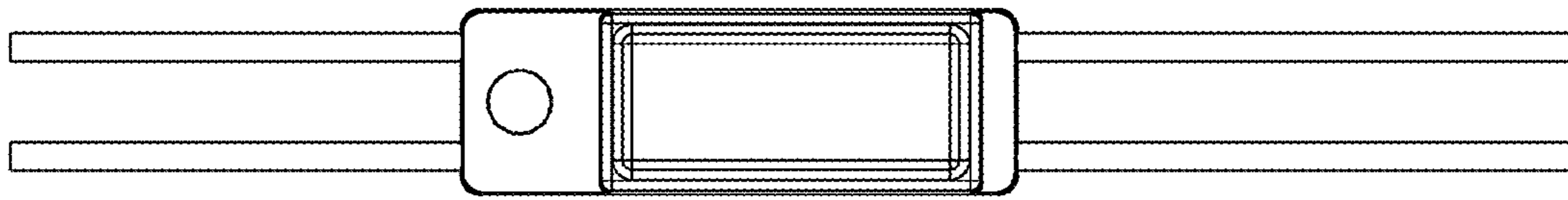


Fig. 2

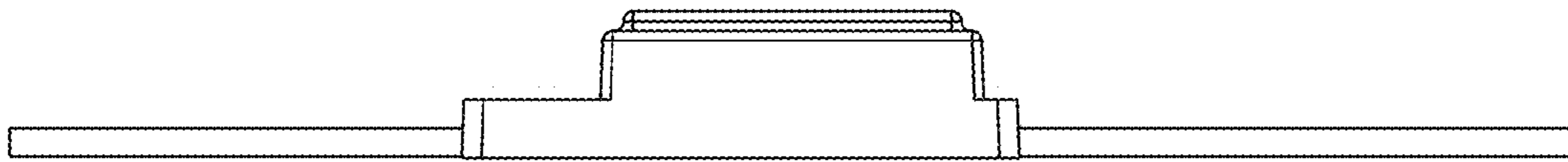


Fig. 3

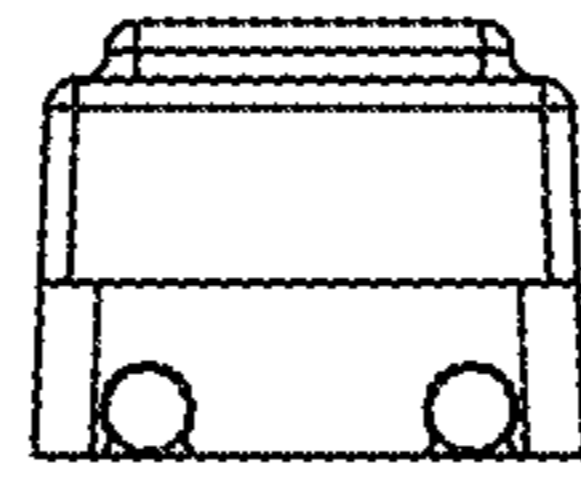


Fig. 4

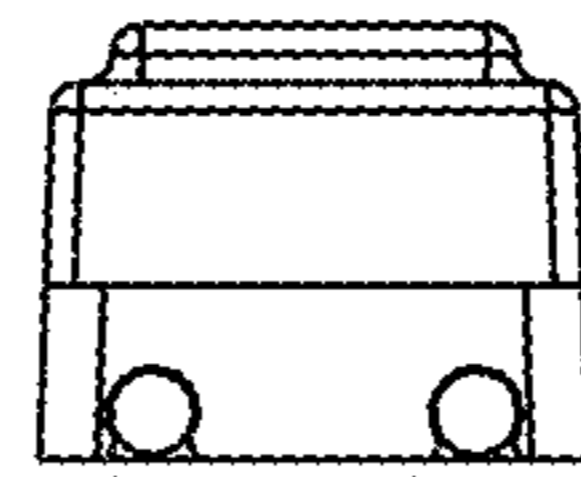


Fig. 5

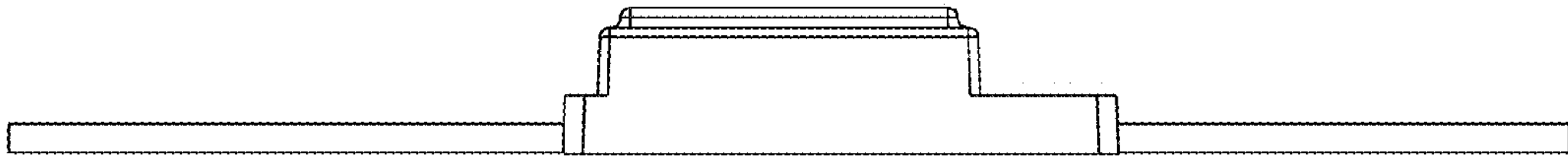


Fig. 6



Fig. 7