



US00D756544S

(12) **United States Design Patent**
Xiao et al.

(10) **Patent No.:** **US D756,544 S**

(45) **Date of Patent:** **** May 17, 2016**

- (54) **LED LIGHT STICK LAMP**
- (71) Applicant: **GE LIGHTING SOLUTIONS, LLC**,
East Cleveland, OH (US)
- (72) Inventors: **Kun Xiao**, ShangHai (CN); **Zhifeng Bao**, XiAn (CN); **Aijun Wang**,
ShangHai (CN)
- (73) Assignee: **GE LIGHTING SOLUTIONS, LLC**,
East Cleveland, OH (US)
- (**) Term: **14 Years**
- (21) Appl. No.: **29/513,041**
- (22) Filed: **Dec. 24, 2014**
- (51) **LOC (10) Cl.** **26-04**
- (52) **U.S. Cl.**
USPC **D26/2**
- (58) **Field of Classification Search**
USPC D26/1-4; 313/313, 315, 316, 317, 318,
313/493, 501; 315/52, 53, 56, 57, 58, 77
CPC F21K 9/135; F21K 9/1375; F21K 9/13
See application file for complete search history.

D732,713 S *	6/2015	Bukkems	D26/2
D734,509 S *	7/2015	Bukkems	D26/2
D734,510 S *	7/2015	Bukkems	D26/2
D741,513 S *	10/2015	Bukkems	D26/2
D741,516 S *	10/2015	Bukkems	D26/2
D742,558 S *	11/2015	Bukkems	D26/2

* cited by examiner

Primary Examiner — Ian Simmons

Assistant Examiner — Harold Blackwell, II

(74) *Attorney, Agent, or Firm* — GE Global Patent
Operation; Peter T. DiMauro

(57) **CLAIM**

The ornamental design for a LED light stick lamp, as shown and described.

DESCRIPTION

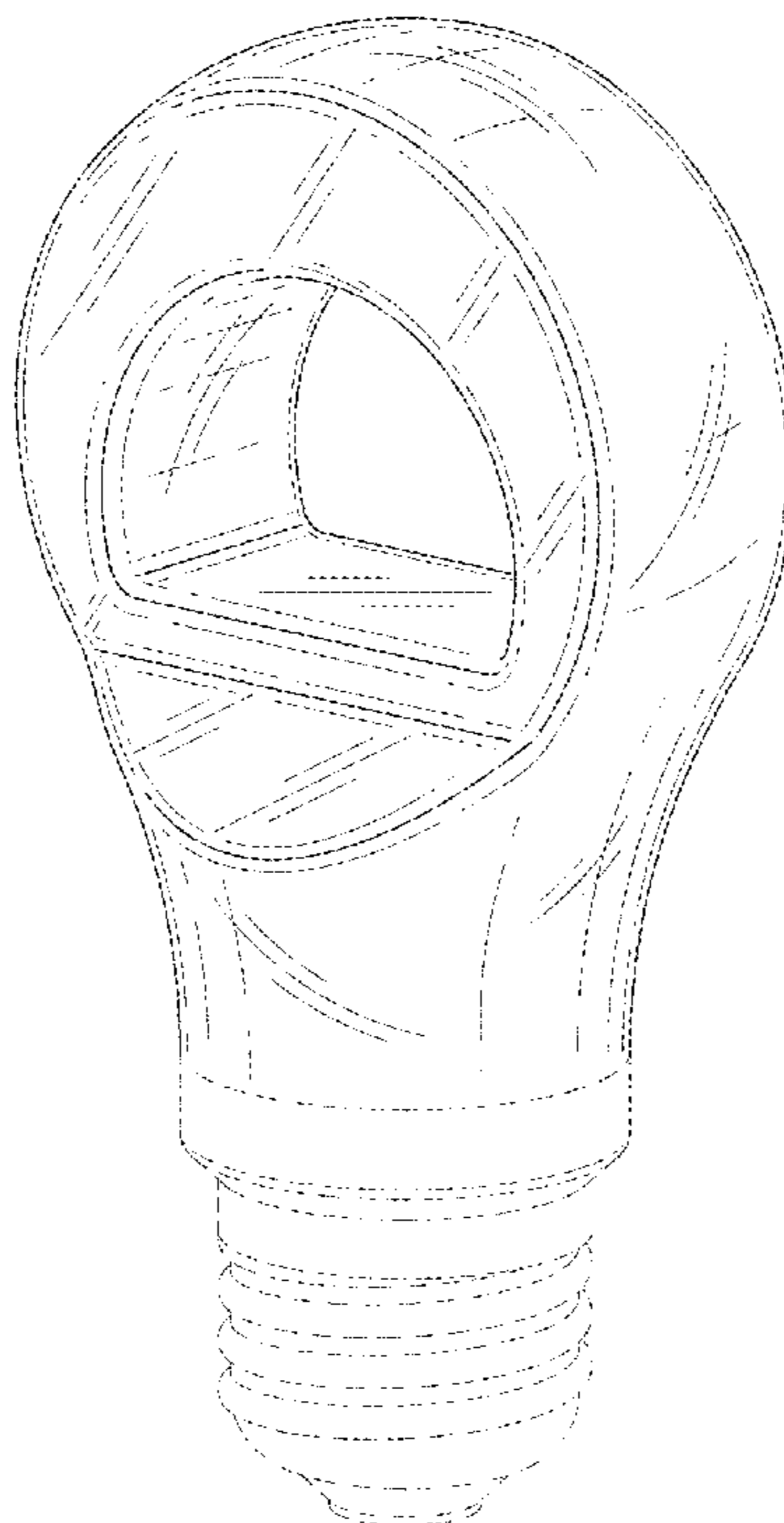
FIG. 1 is a top front perspective view of a LED light stick lamp;
 FIG. 2 is a bottom front perspective view of the lamp of FIG. 1;
 FIG. 3 is a front elevation view of the lamp of FIG. 1
 FIG. 4 is a rear elevation view of the lamp of FIG. 1
 FIG. 5 is a left elevation view of the lamp of FIG. 1
 FIG. 6 is a right elevation view of the lamp of FIG. 1
 FIG. 7 is a top plan view of the lamp of FIG. 1; and,
 FIG. 8 is a bottom plan view of the lamp of FIG. 1.
 The broken lines in the drawings showing the capper and lamp base illustrate portions of the LED light stick lamp which forms no part of the claimed design.

1 Claim, 6 Drawing Sheets

(56) **References Cited**

U.S. PATENT DOCUMENTS

D613,432 S *	4/2010	Chen	D26/2
D721,830 S *	1/2015	Bukkems	D26/2
D722,184 S *	2/2015	Bukkems	D26/2
D723,720 S *	3/2015	Bukkems	D26/2
D732,212 S *	6/2015	Bukkems	D26/2



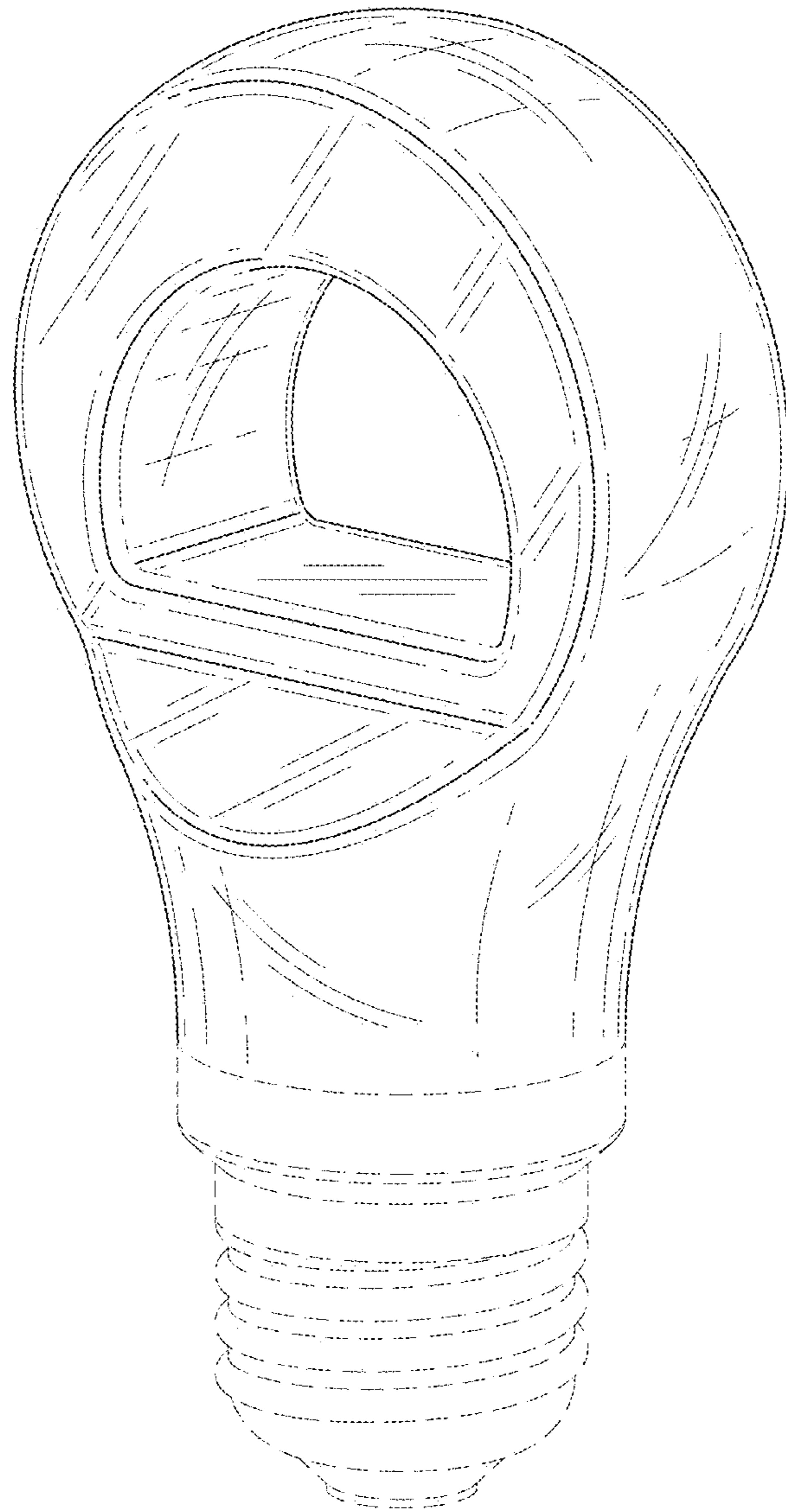


FIG. 1

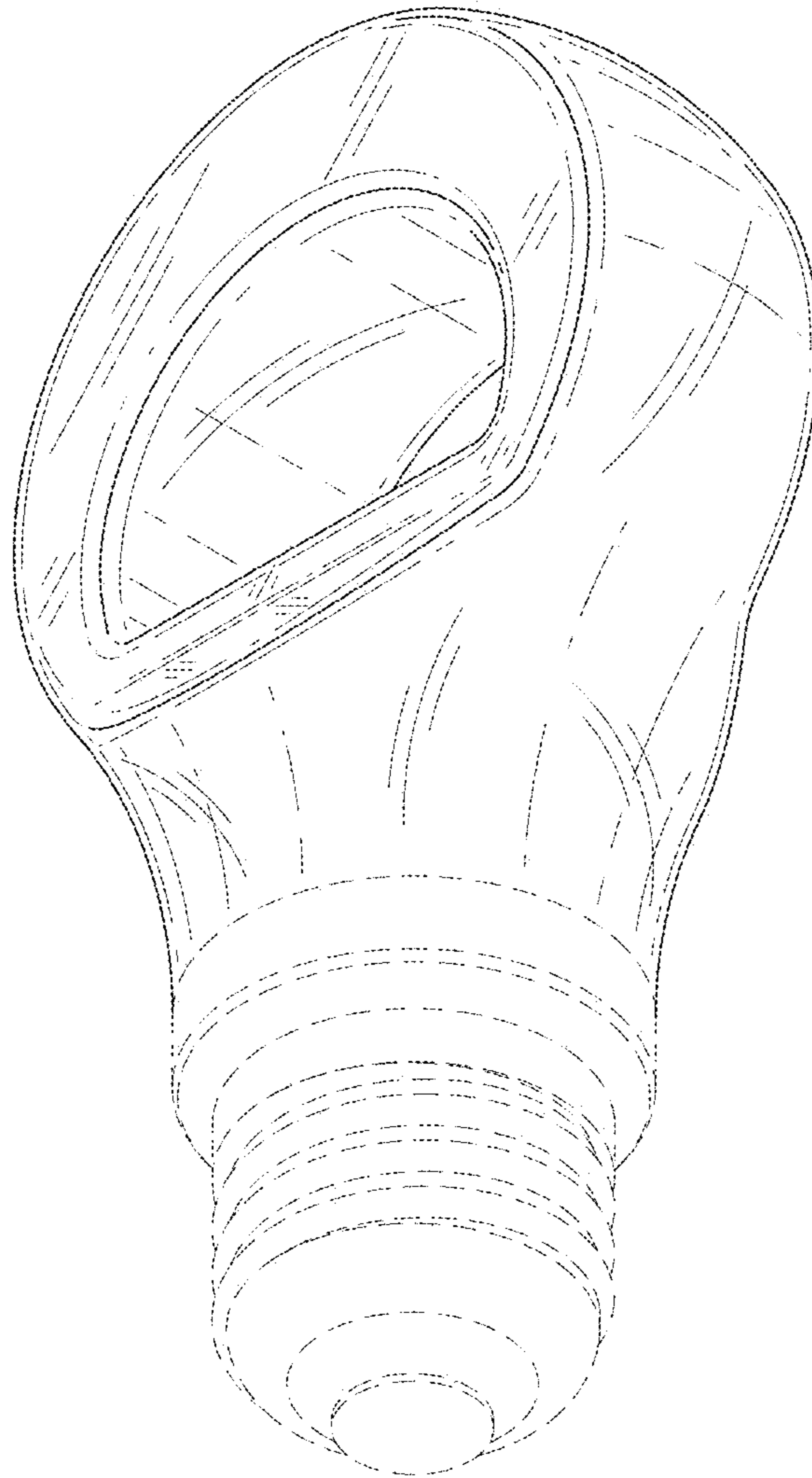


FIG. 2

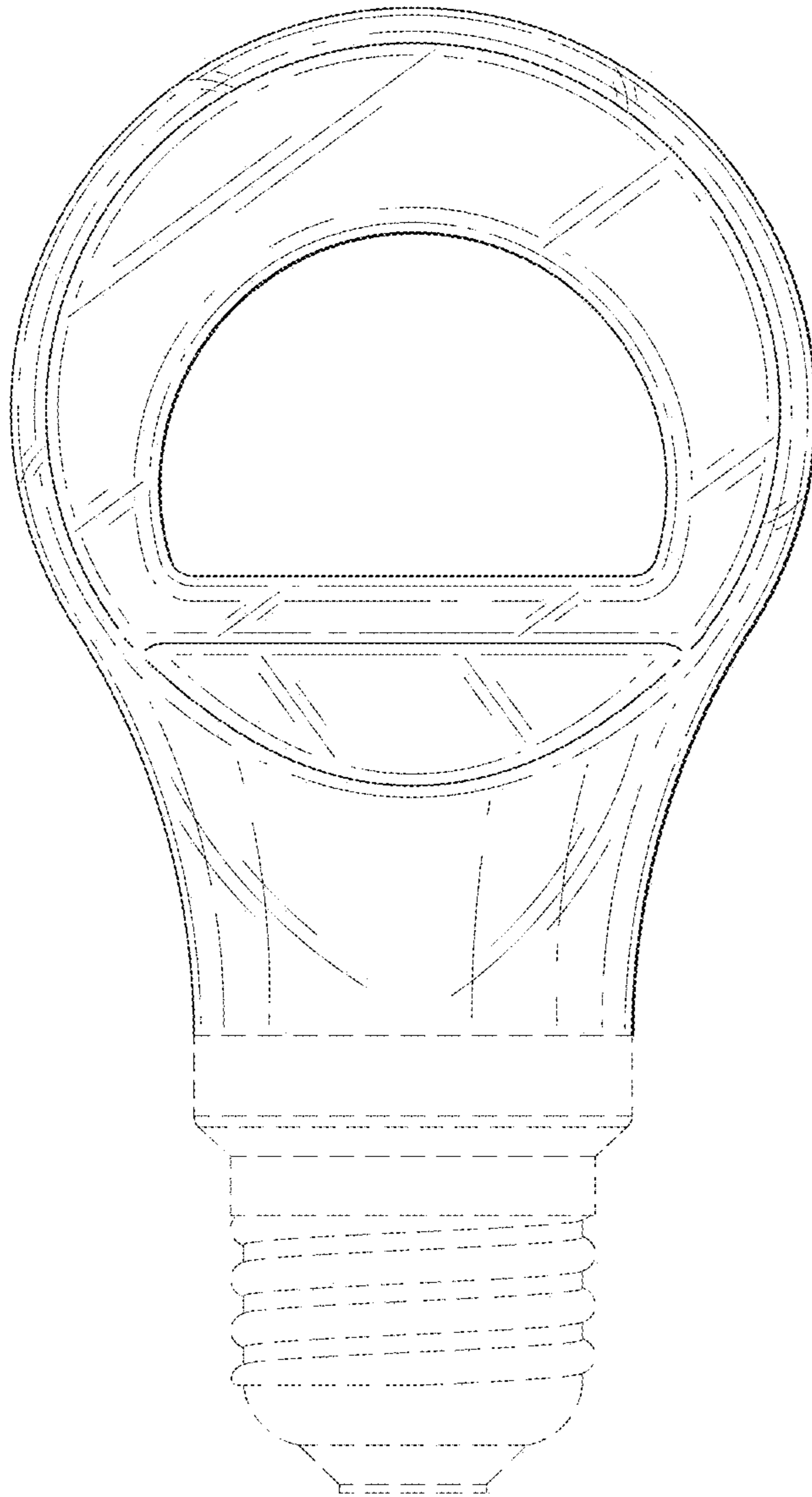


FIG. 3

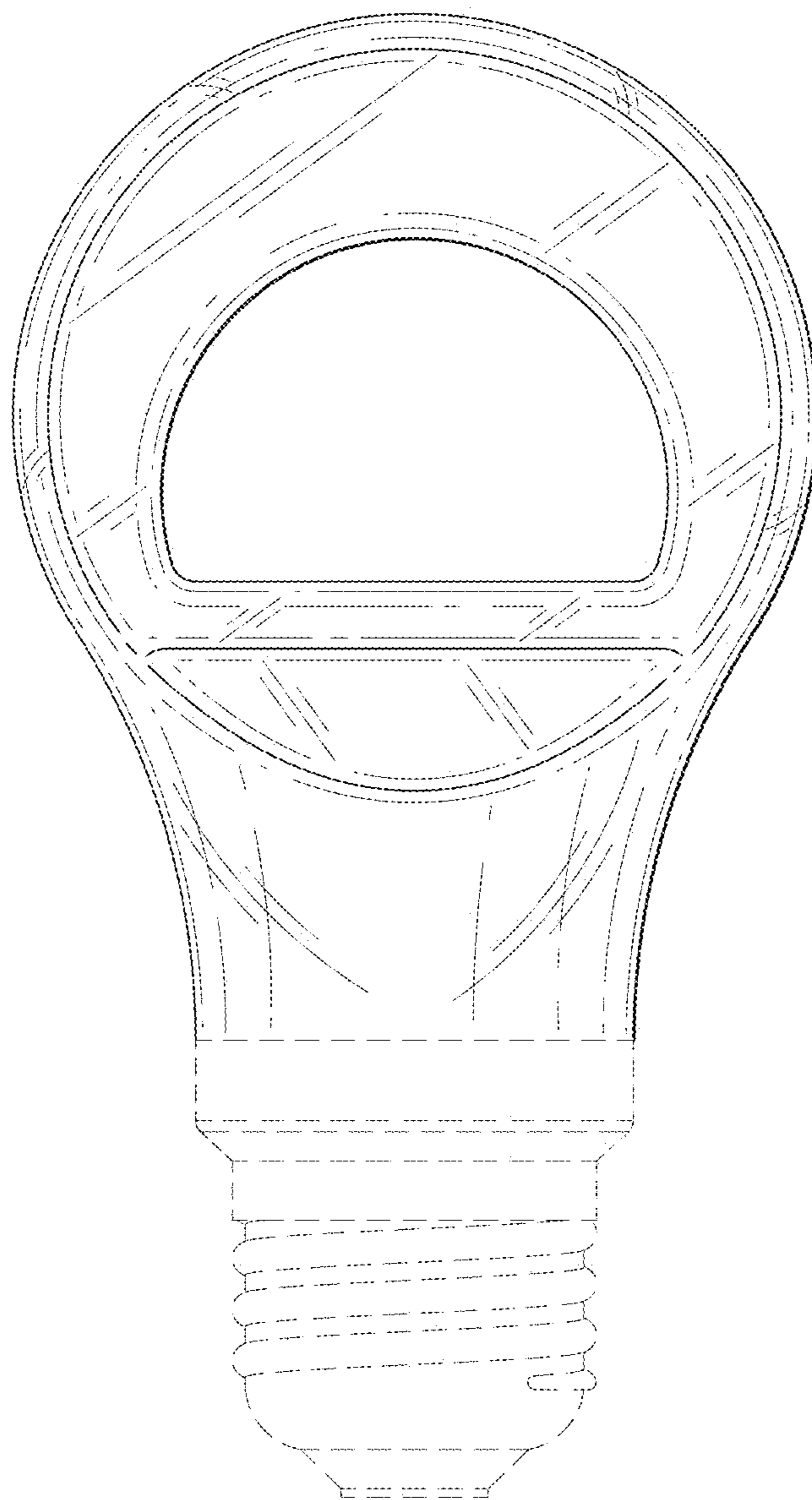


FIG. 4

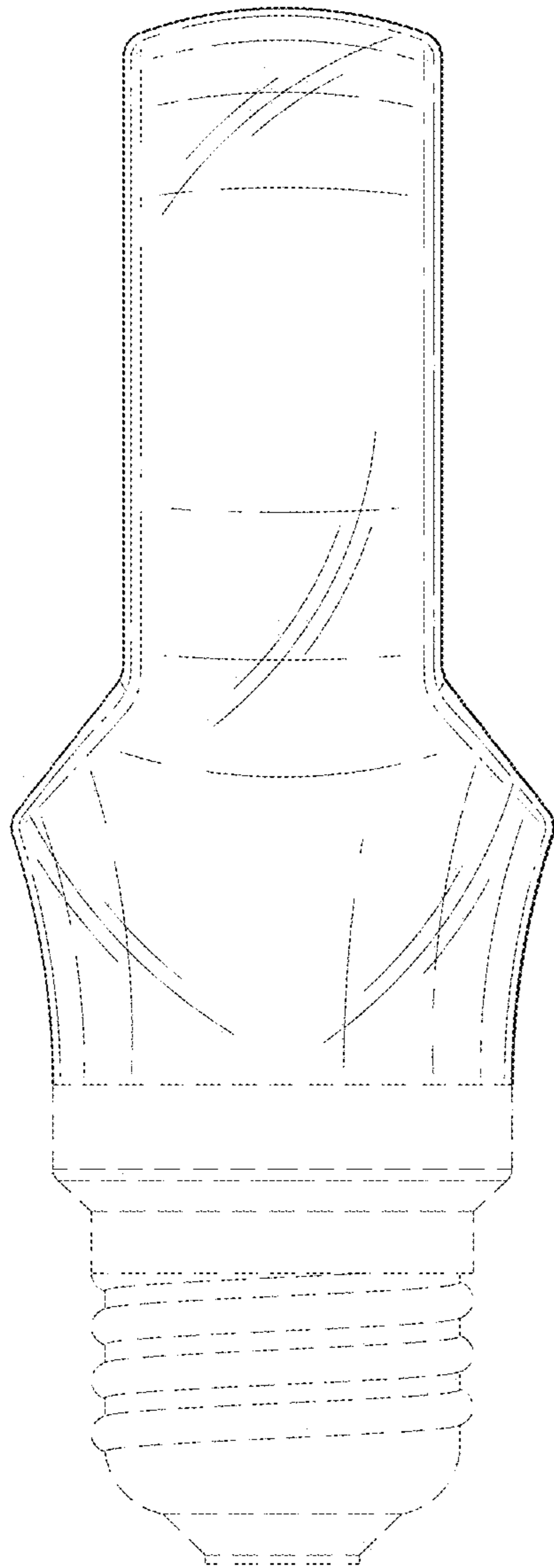


FIG. 5

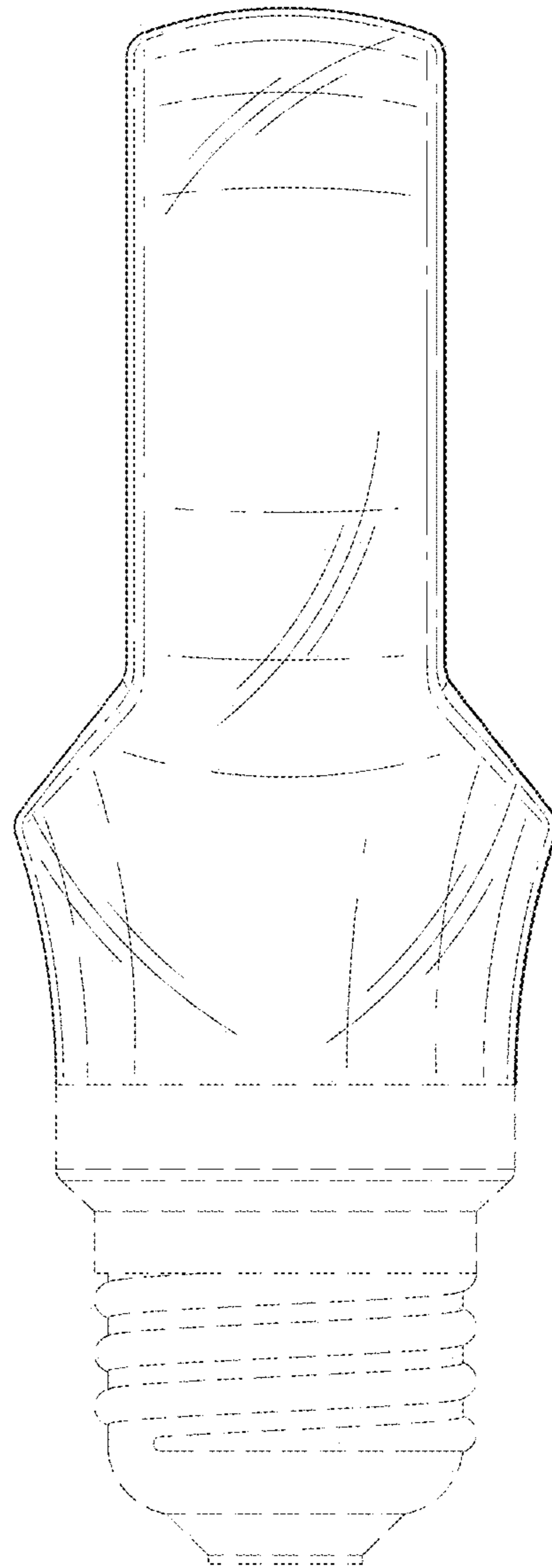


FIG. 6

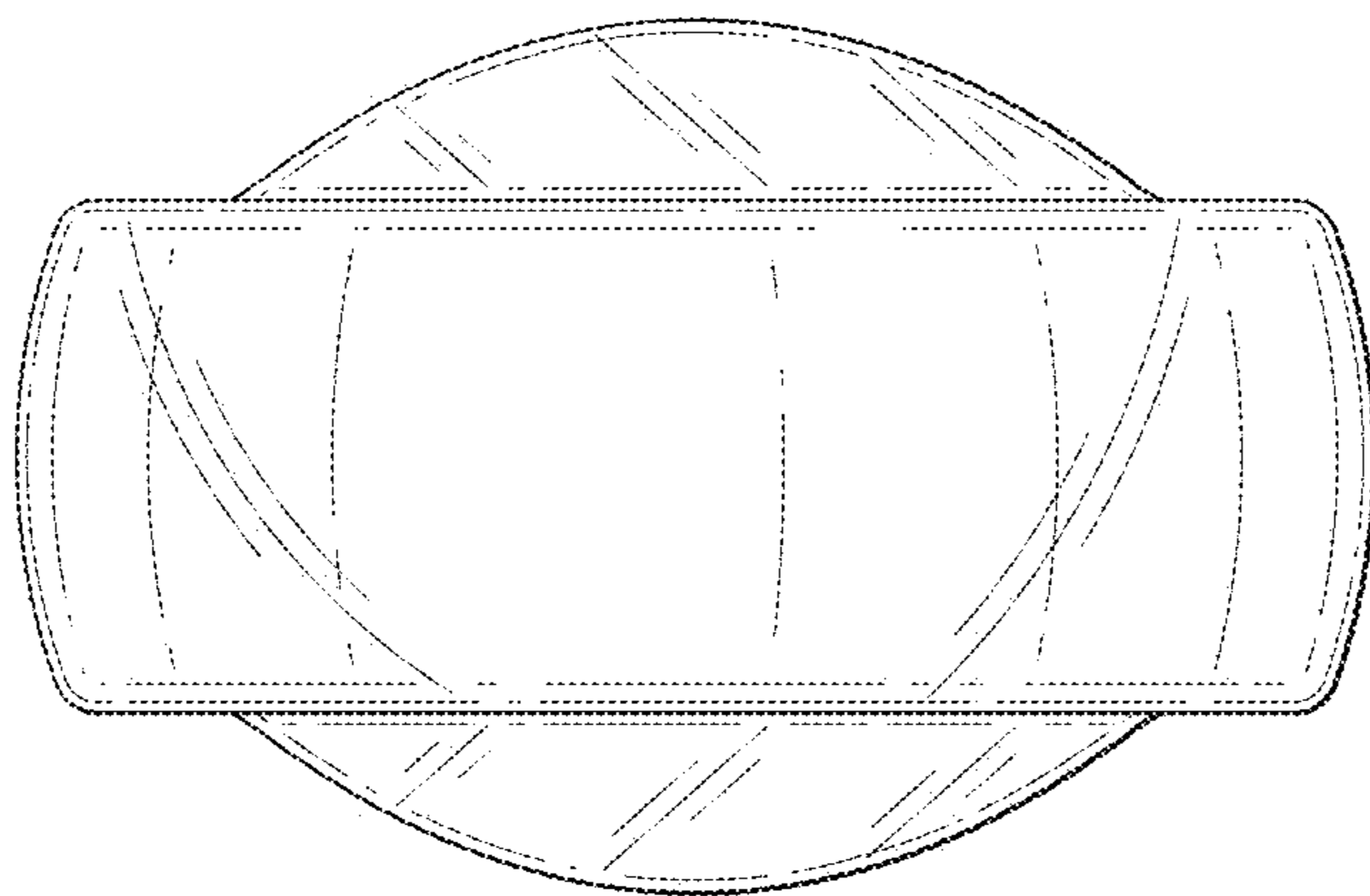


FIG. 7

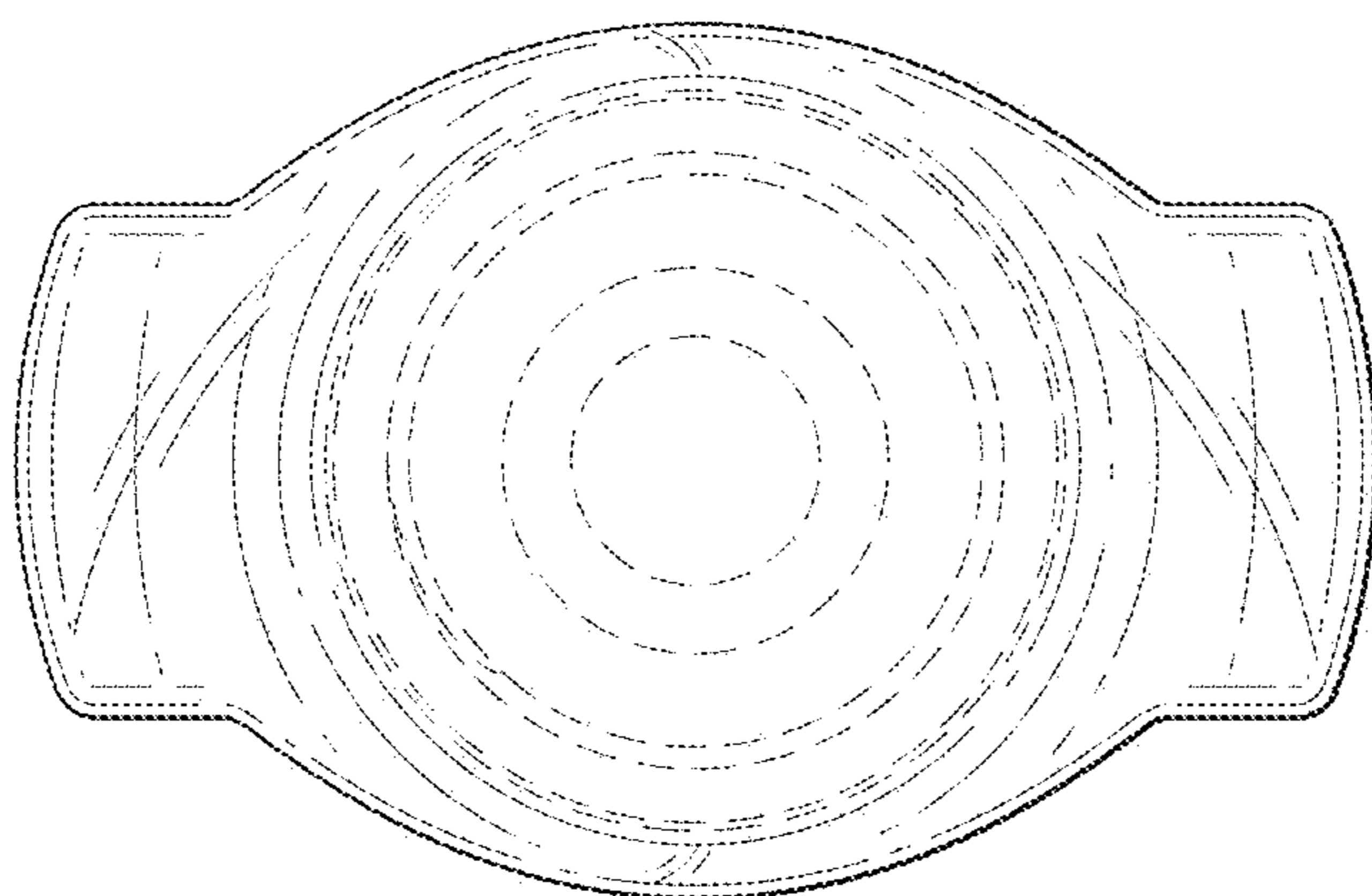


FIG. 8