



US00D756543S

(12) **United States Design Patent**  
**Bao**

(10) **Patent No.:** **US D756,543 S**  
(45) **Date of Patent:** **\*\* May 17, 2016**

(54) **LED LAMP**  
(71) Applicant: **SENGLED OPTOELECTRONICS CO., LTD.**, Tongxiang (CN)

D546,980 S \* 7/2007 Lo ..... D26/2  
D549,854 S \* 8/2007 Takahashi ..... D26/2  
D566,300 S \* 4/2008 Lo ..... D26/2  
D582,578 S \* 12/2008 Tsai ..... D26/2  
D607,586 S \* 1/2010 Ko ..... D26/2

(72) Inventor: **Cong Bao**, Tongxiang (CN)  
(73) Assignee: **SENGLED OPTOELECTRONICS CO., LTD.**, Tongxiang (CN)

\* cited by examiner

(\*\*) Term: **14 Years**  
(21) Appl. No.: **29/510,890**

*Primary Examiner* — Marcus Jackson  
(74) *Attorney, Agent, or Firm* — Anova Law Group, PLLC

(22) Filed: **Dec. 4, 2014**  
(51) **LOC (10) Cl.** ..... **26-04**  
(52) **U.S. Cl.**  
USPC ..... **D26/2**  
(58) **Field of Classification Search**  
USPC ..... D26/1-4; 313/313, 315, 316, 317, 318,  
313/493; 315/52, 53, 56, 57, 58  
CPC ..... H01J 5/48; H01J 5/50; H01J 19/54;  
F21V 5/00  
See application file for complete search history.

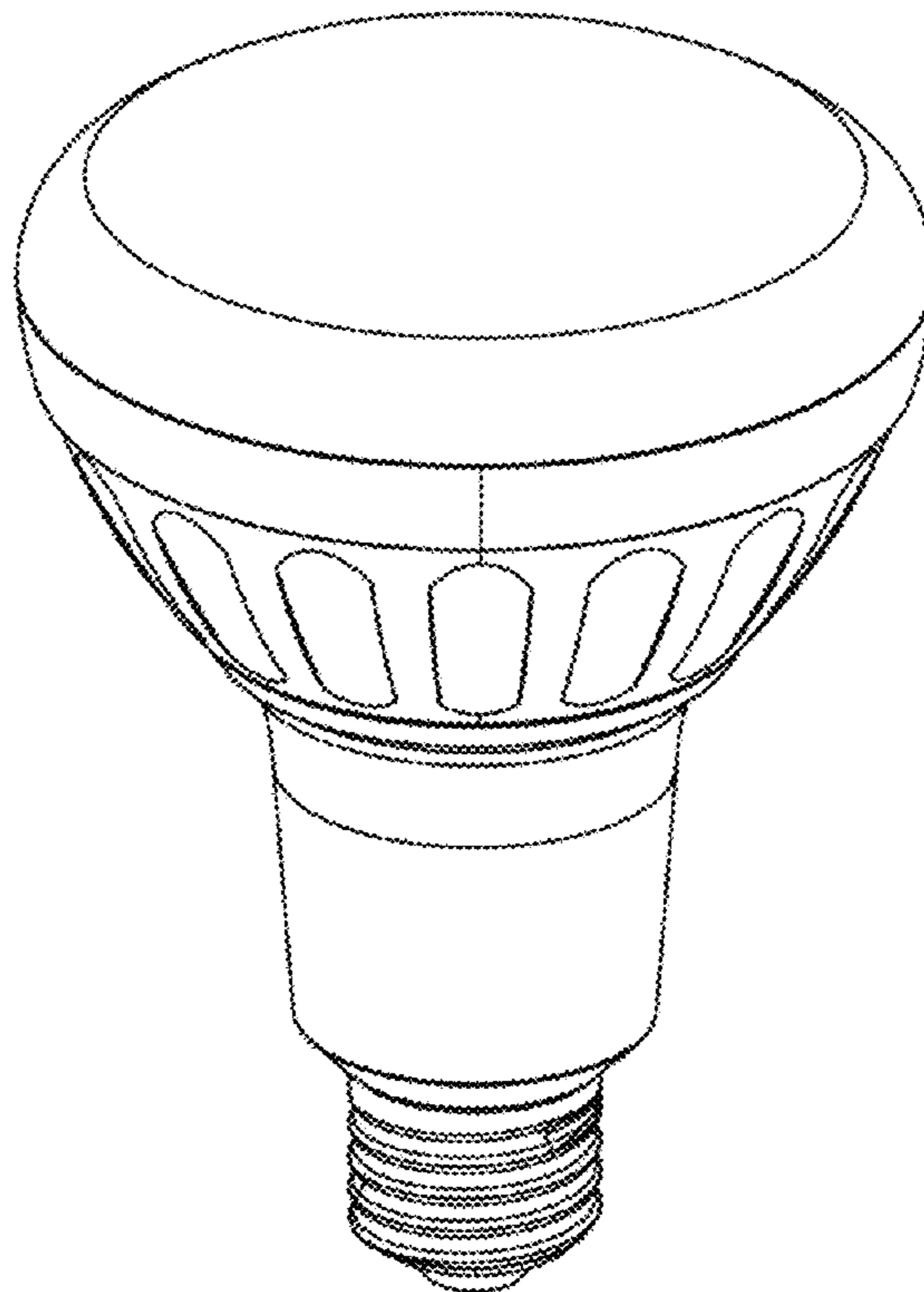
(57) **CLAIM**  
The ornamental design for an LED lamp, as shown and described.

**DESCRIPTION**

FIG. 1 is a perspective view of an LED lamp in accordance with the present invention;  
FIG. 2 is an upfront perspective view of the LED lamp shown in FIG. 1;  
FIG. 3 is a cross-sectional view of the LED lamp along line 8-8 in FIG. 6;  
FIG. 4 is a front view of the LED lamp shown in FIG. 1;  
FIG. 5 is a back view of the LED lamp shown in FIG. 1;  
FIG. 6 is a top view of the LED lamp shown in FIG. 1;  
FIG. 7 is a bottom view of the LED lamp shown in FIG. 1;  
FIG. 8 is a left side view of the LED lamp shown in FIG. 1;  
and,  
FIG. 9 is a right side view of the LED lamp shown in FIG. 1.

(56) **References Cited**  
U.S. PATENT DOCUMENTS  
D542,943 S \* 5/2007 Wang ..... D26/2  
D545,457 S \* 6/2007 Chen ..... D26/2

**1 Claim, 8 Drawing Sheets**



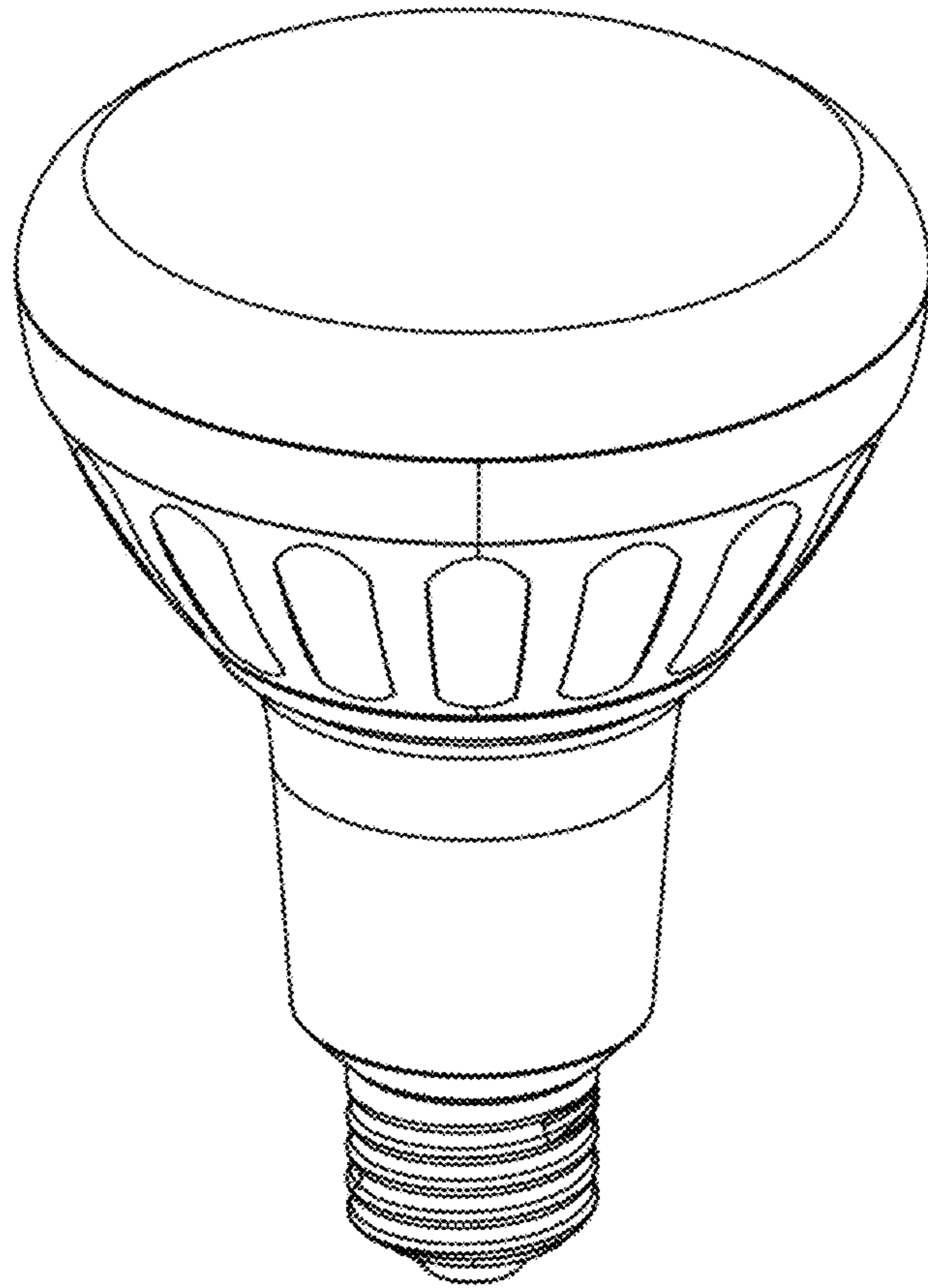


FIG. 1

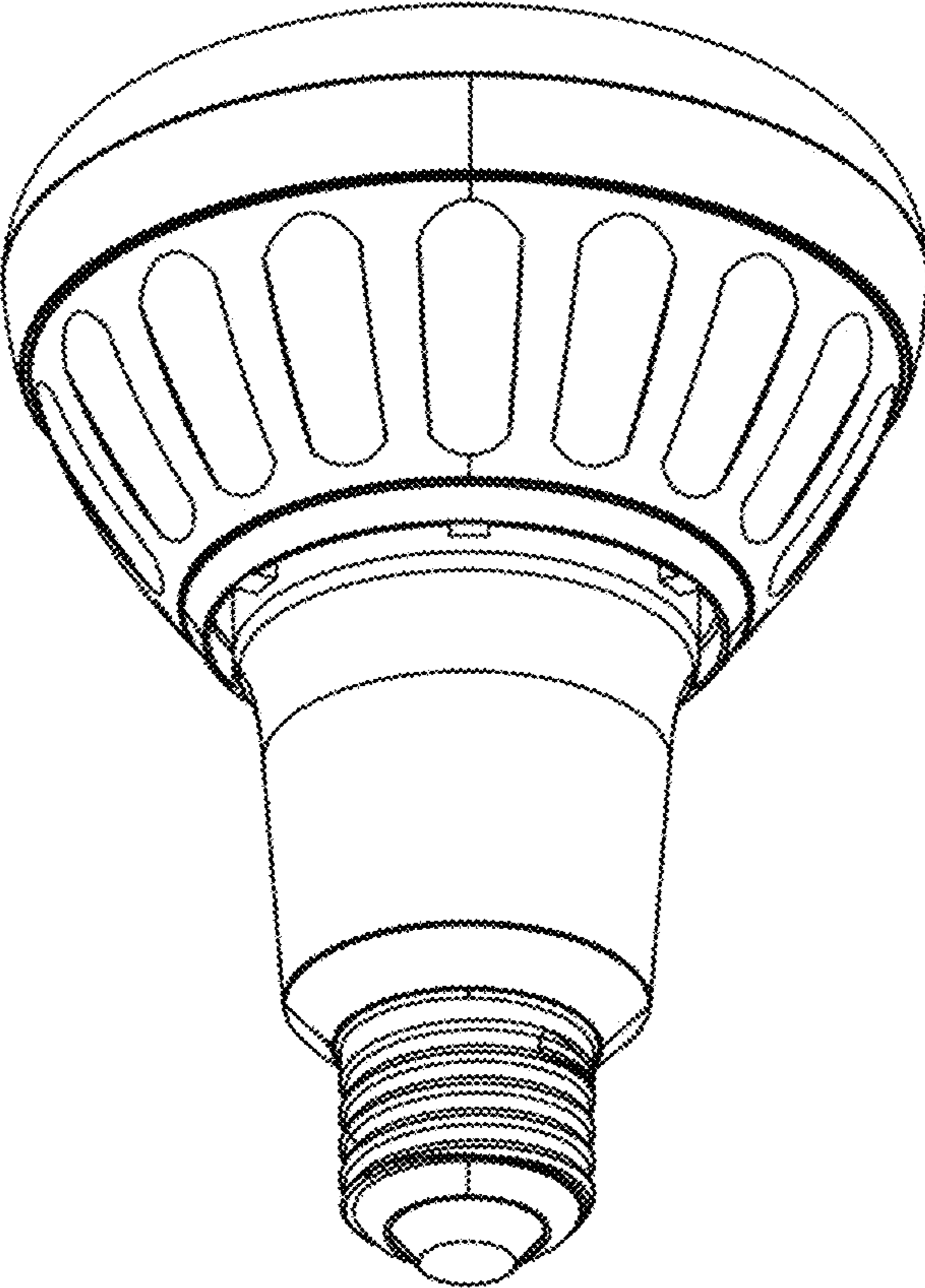


FIG. 2

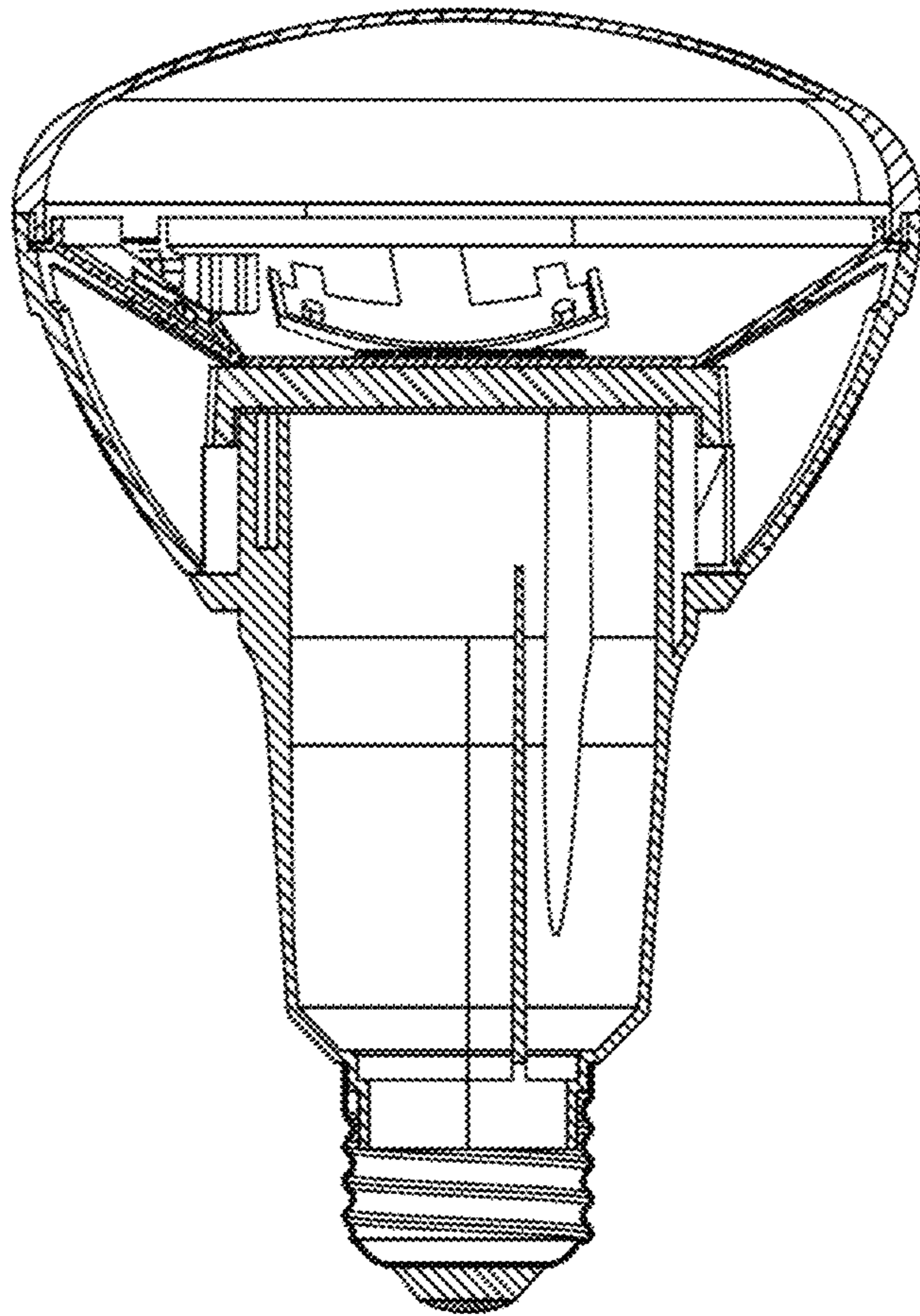


FIG. 3

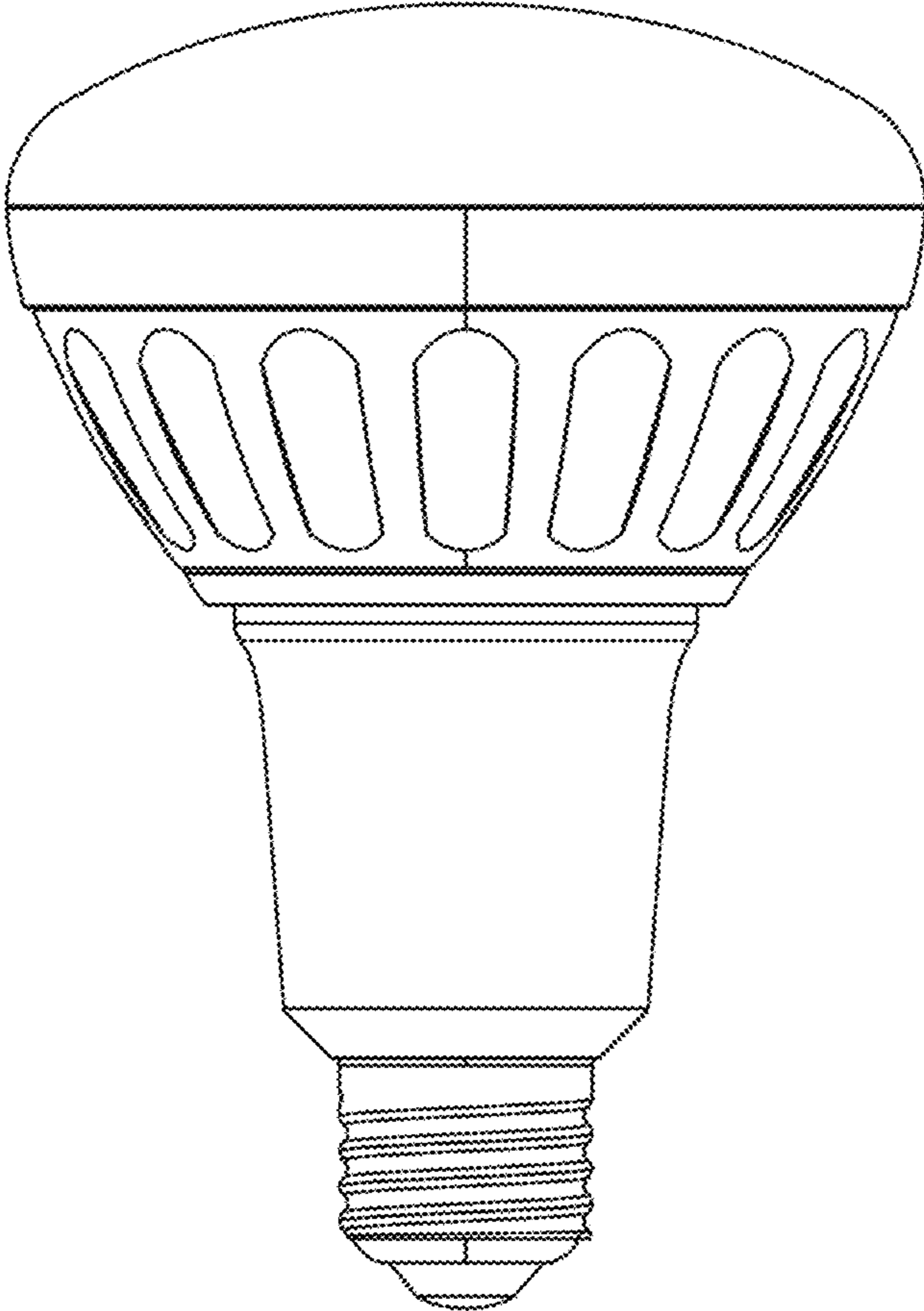


FIG. 4

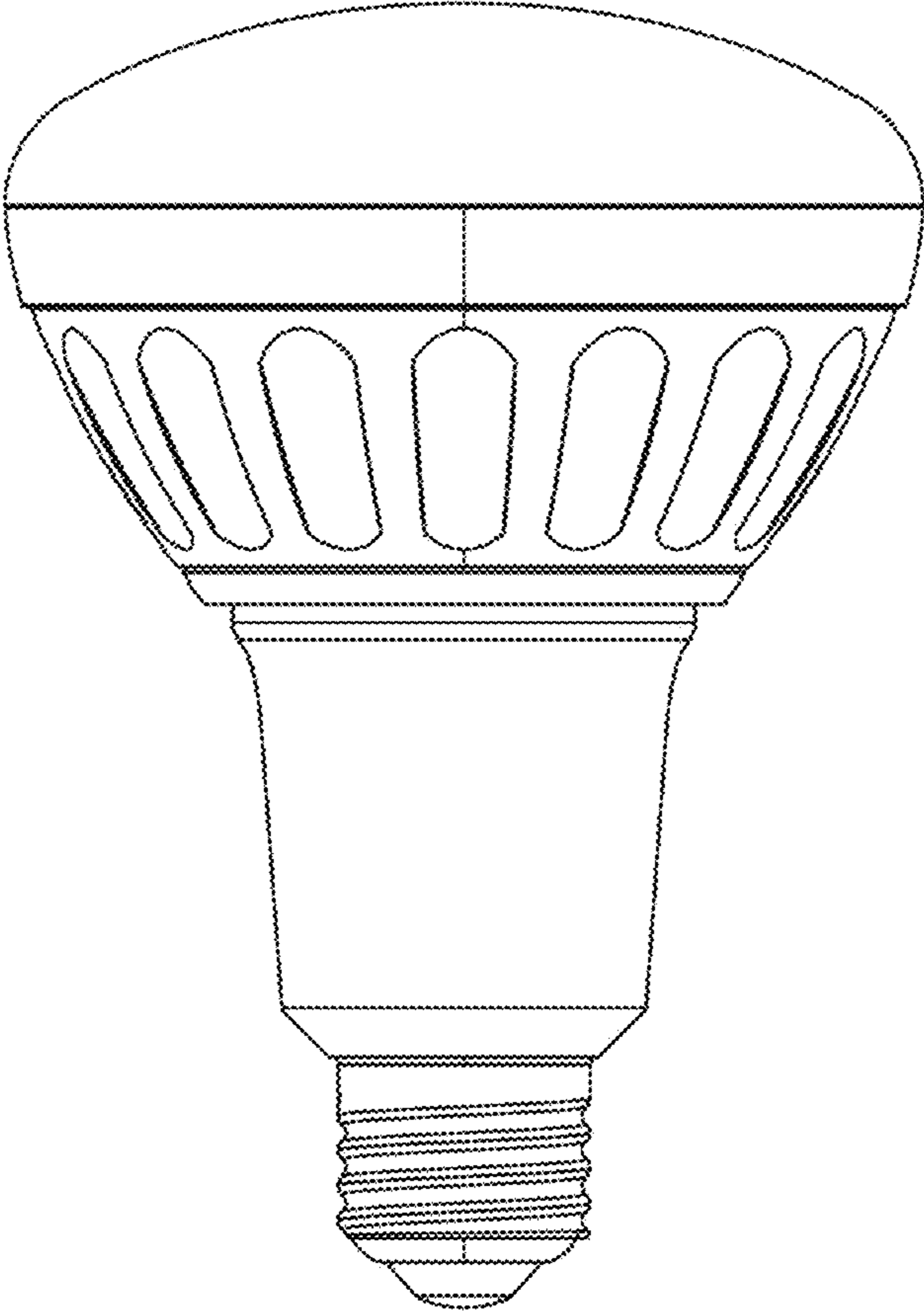


FIG. 5

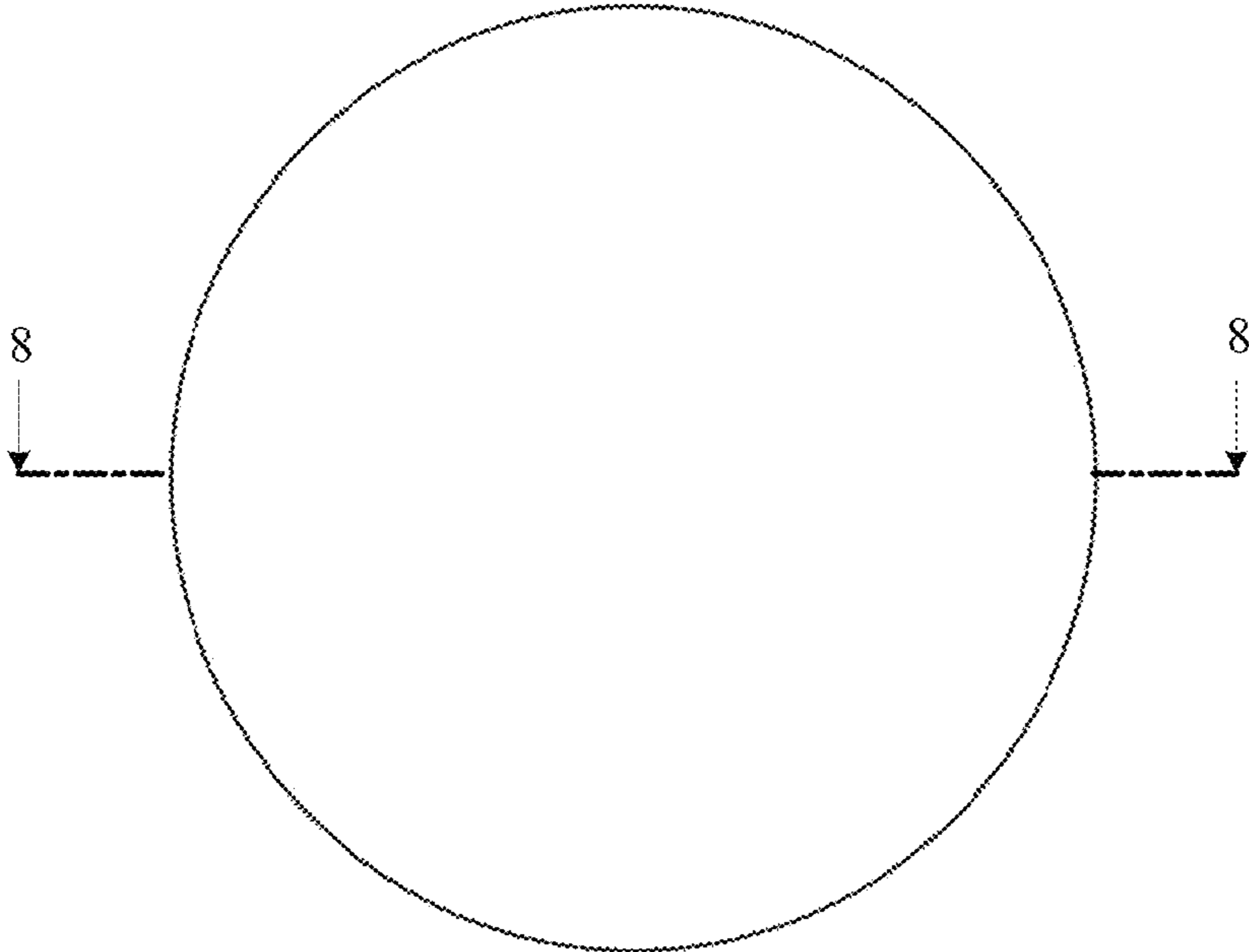


FIG. 6

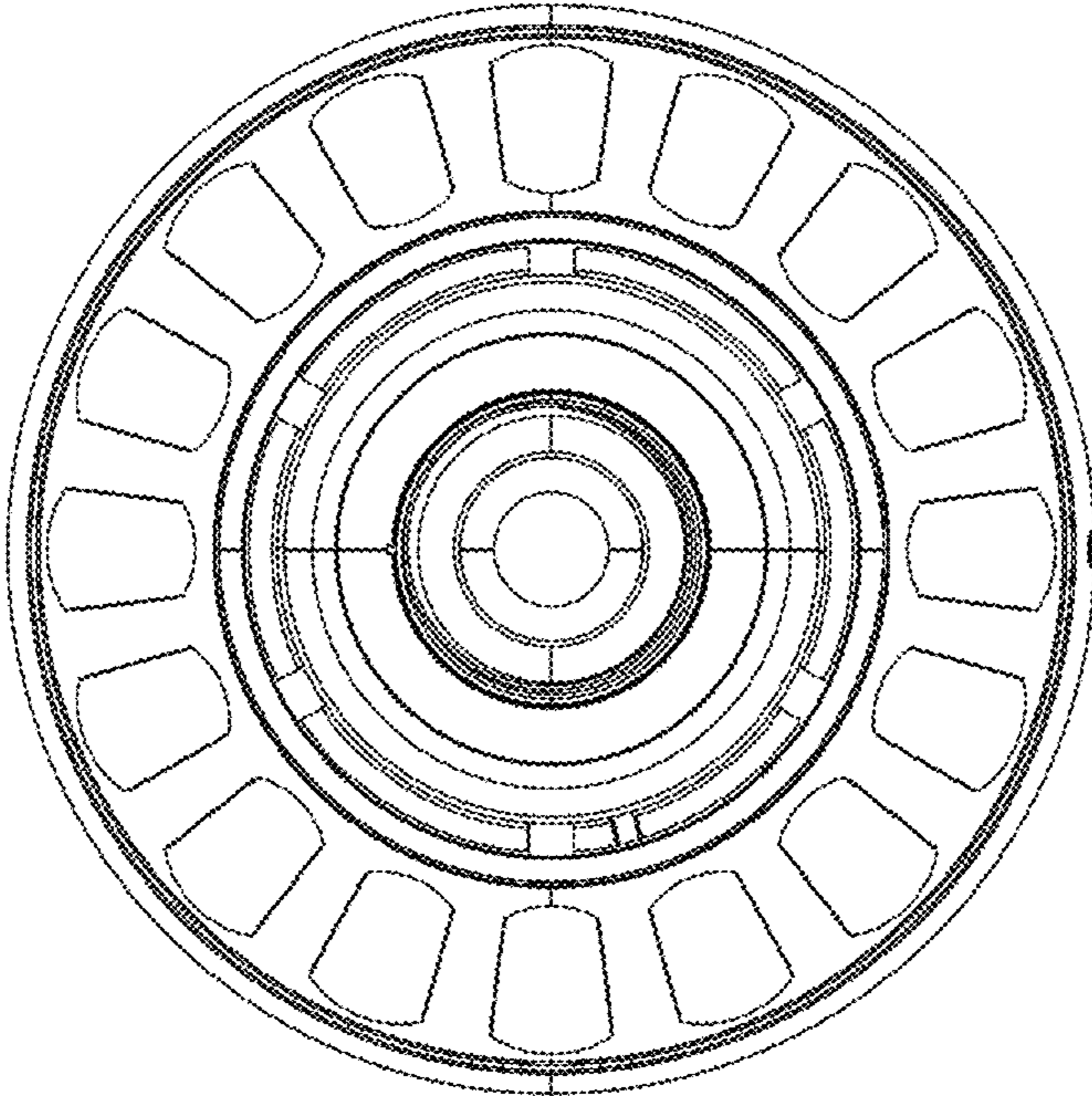


FIG. 7

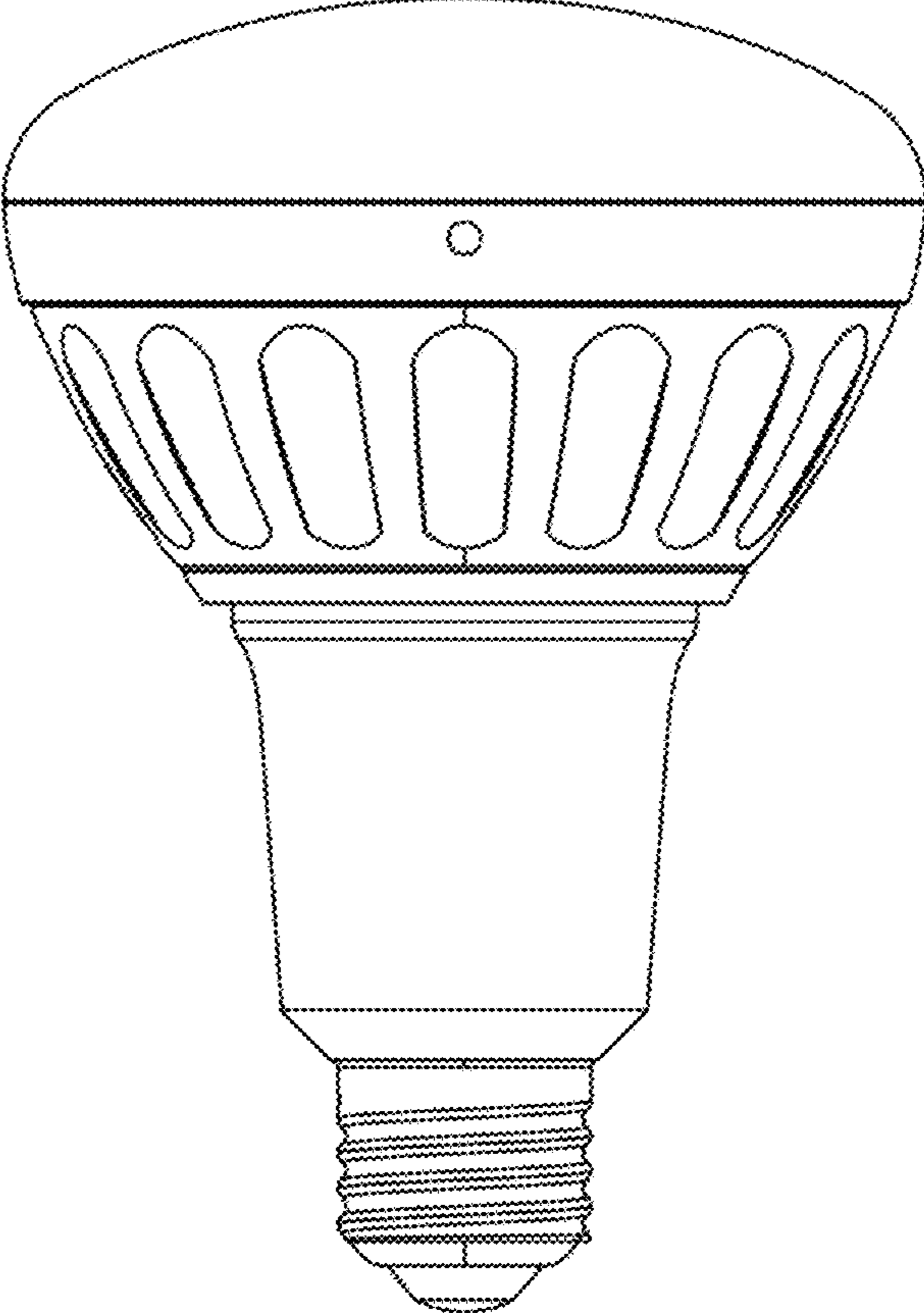


FIG. 8



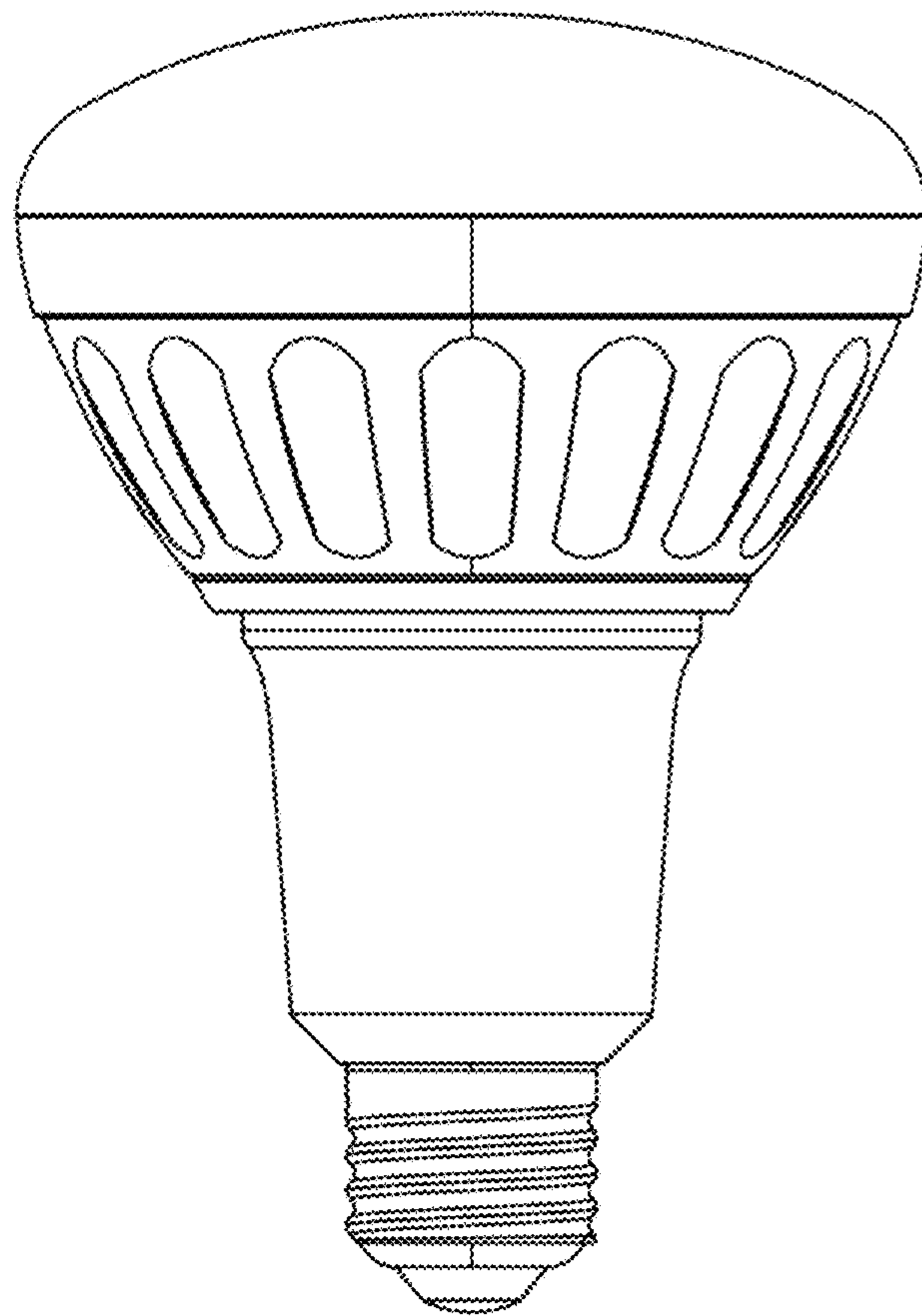


FIG. 9