

US00D756538S

(12) **United States Design Patent**
Bryant

(10) **Patent No.:** **US D756,538 S**

(45) **Date of Patent:** **** May 17, 2016**

(54) **PROFILED BALUSTER FOR RAILING**

(56) **References Cited**

(71) Applicant: **Universal Forest Products, Inc.**, Grand Rapids, MI (US)

(72) Inventor: **Leo C. Bryant**, Grand Rapids, MI (US)

(73) Assignee: **Universal Forest Products, Inc.**, Grand Rapids, MI (US)

(**) Term: **14 Years**

(21) Appl. No.: **29/492,789**

(22) Filed: **Jun. 3, 2014**

(51) **LOC (10) Cl.** **25-01**

(52) **U.S. Cl.**
USPC **D25/126**

(58) **Field of Classification Search**
USPC D25/38.1, 42, 126
CPC E04F 11/038; E04F 11/0226; E04F 11/18;
E04F 11/181; E04F 2011/1885; E04F
2011/1889; E04F 2011/1897; E04H 17/14;
E04H 17/1413; E04H 17/1426; E04H
17/1439; E04H 17/20

See application file for complete search history.

U.S. PATENT DOCUMENTS

3,484,827	A *	12/1969	Hall	E04F 11/181
					256/59
3,498,589	A *	3/1970	Murdock	E04F 11/181
					256/21
3,955,799	A *	5/1976	Lauzier	E04F 11/181
					256/21
D409,768	S *	5/1999	Schiess	D25/126
D415,847	S *	10/1999	Schaefer	D25/126
D503,984	S *	4/2005	Rosian	D25/126
2004/0177586	A1	9/2004	McLean		

* cited by examiner

Primary Examiner — Doris Clark
(74) *Attorney, Agent, or Firm* — McGarry Bair PC

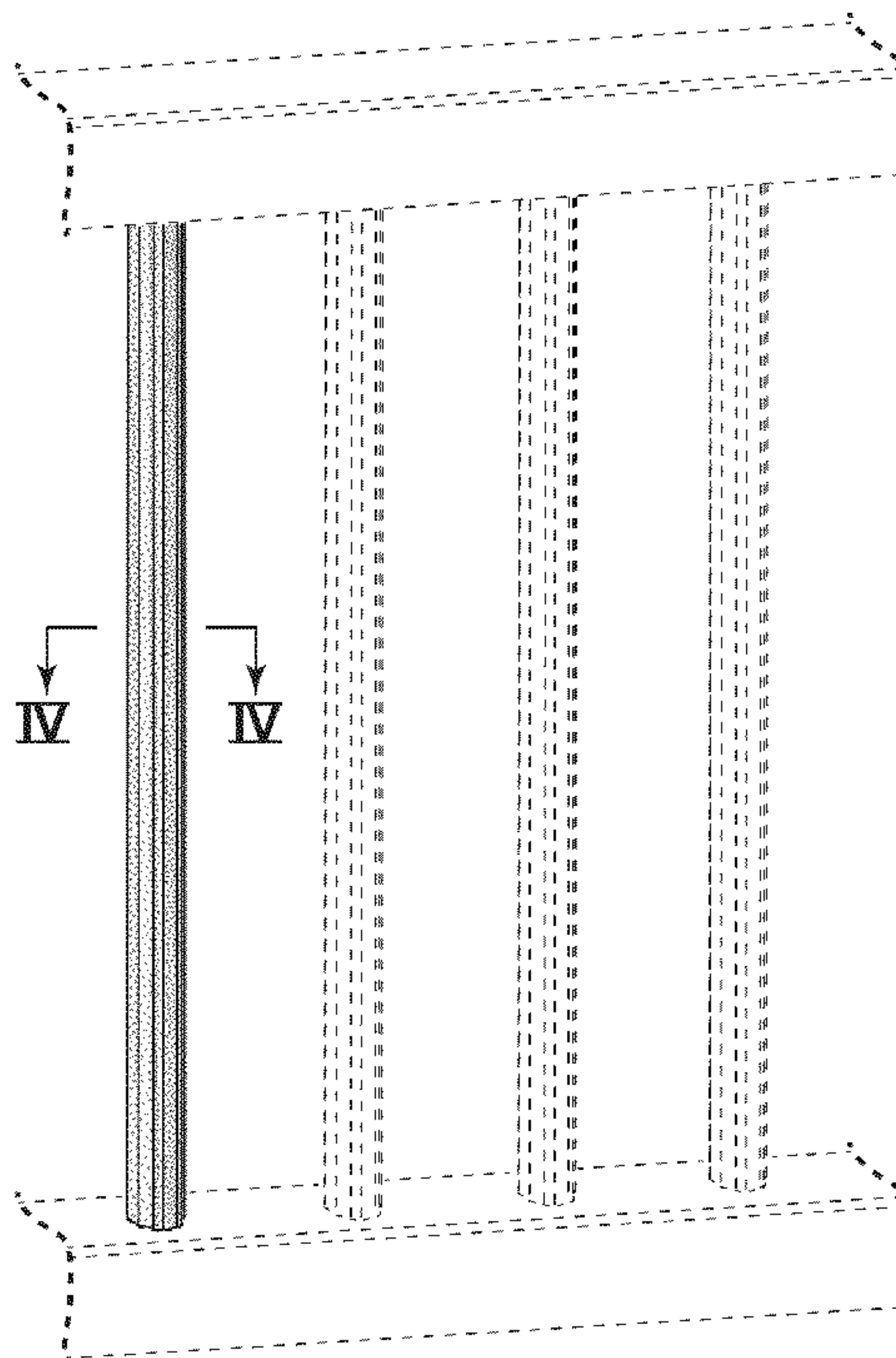
(57) **CLAIM**

The ornamental design for a profiled baluster for railing, as shown and described.

DESCRIPTION

FIG. 1 is a perspective view of a profiled baluster in a railing showing my new design;
FIG. 2 is a front and side perspective view of a baluster for railing showing my new design;
FIG. 3 is a perspective view of a profiled baluster; and,
FIG. 4 is a cross sectional view taken along line IV-IV in FIG. 1.
The broken lines are for illustrative purposes only and form no part of the claimed design.

1 Claim, 2 Drawing Sheets



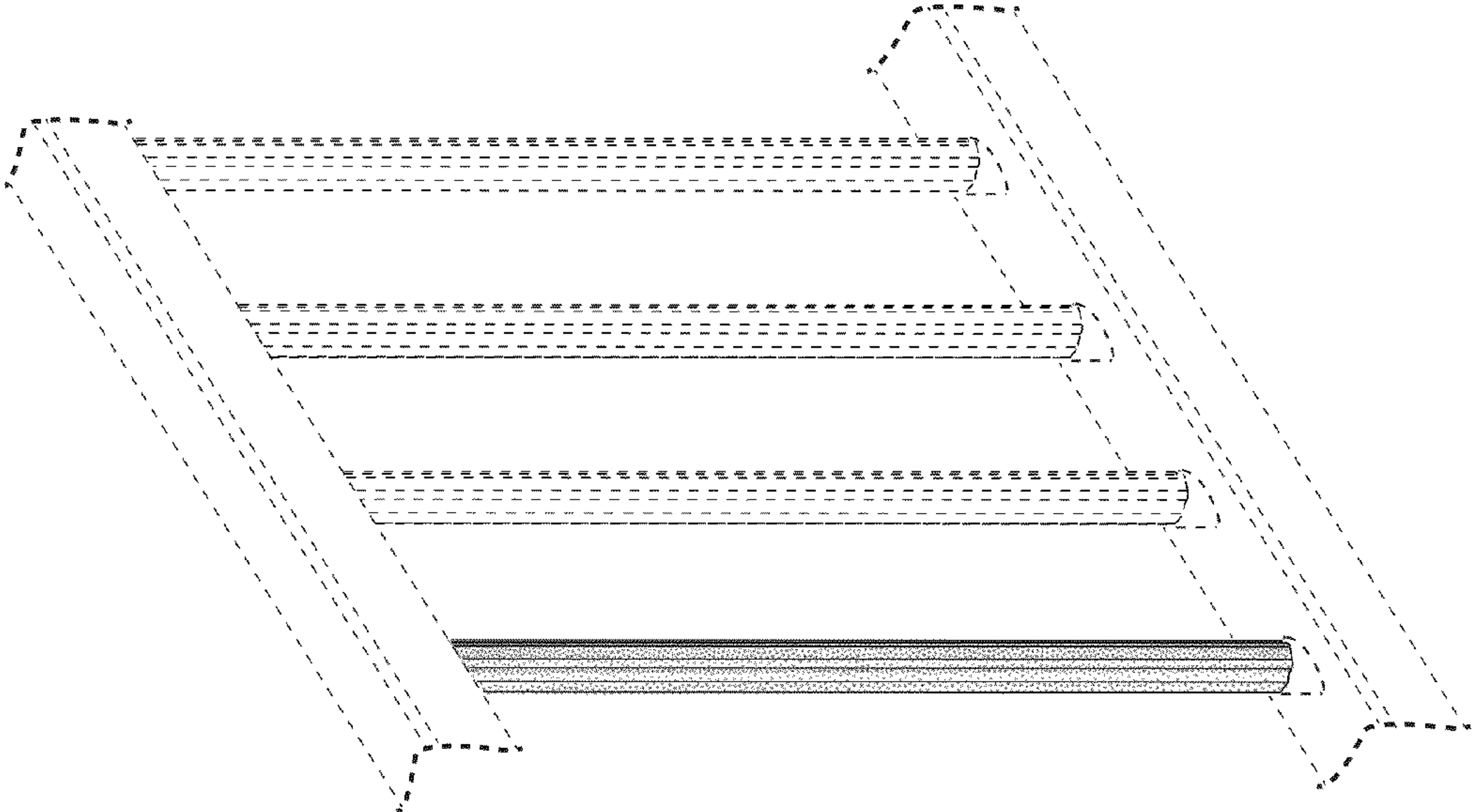


FIG. 2

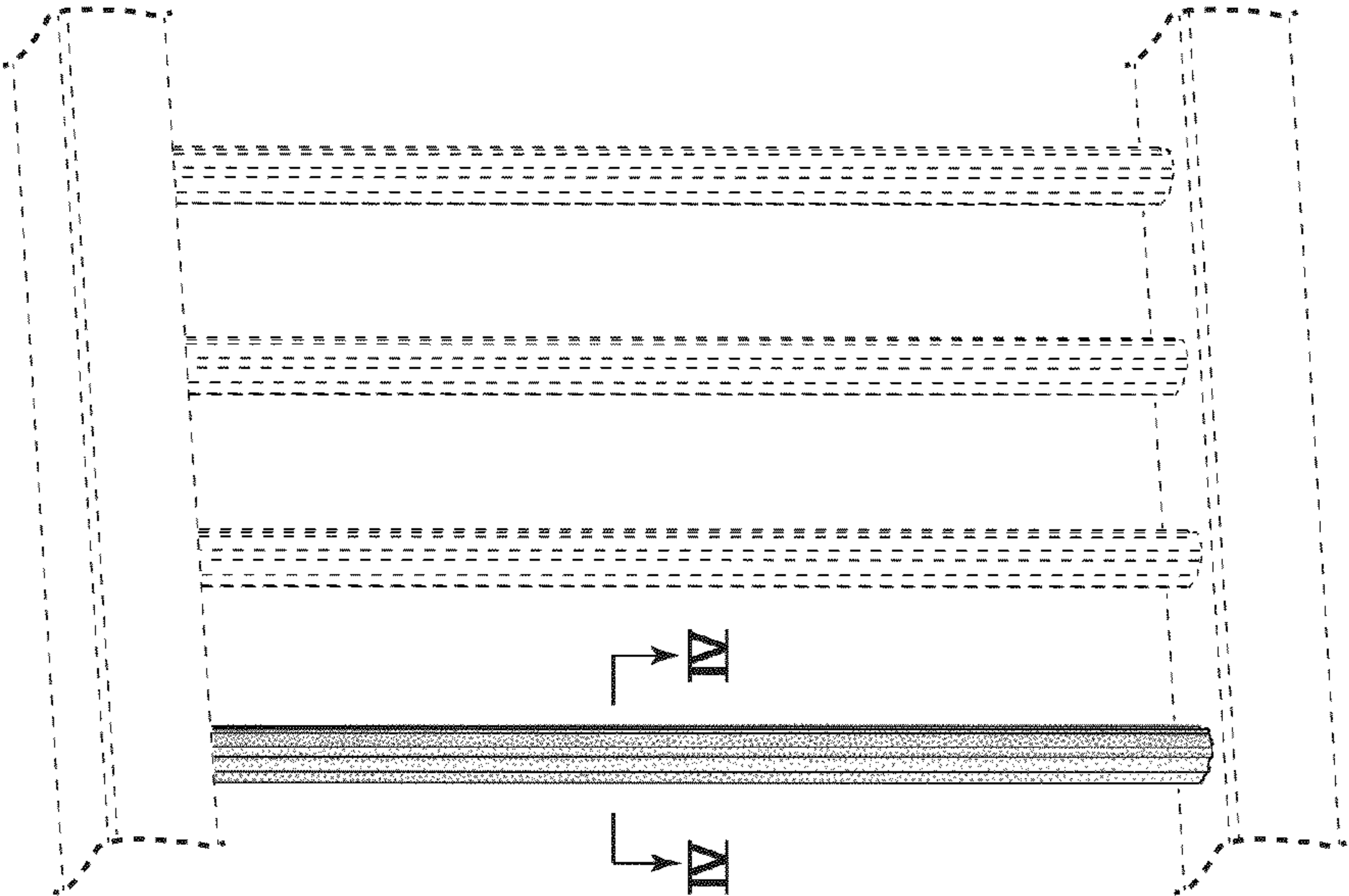


FIG. 1

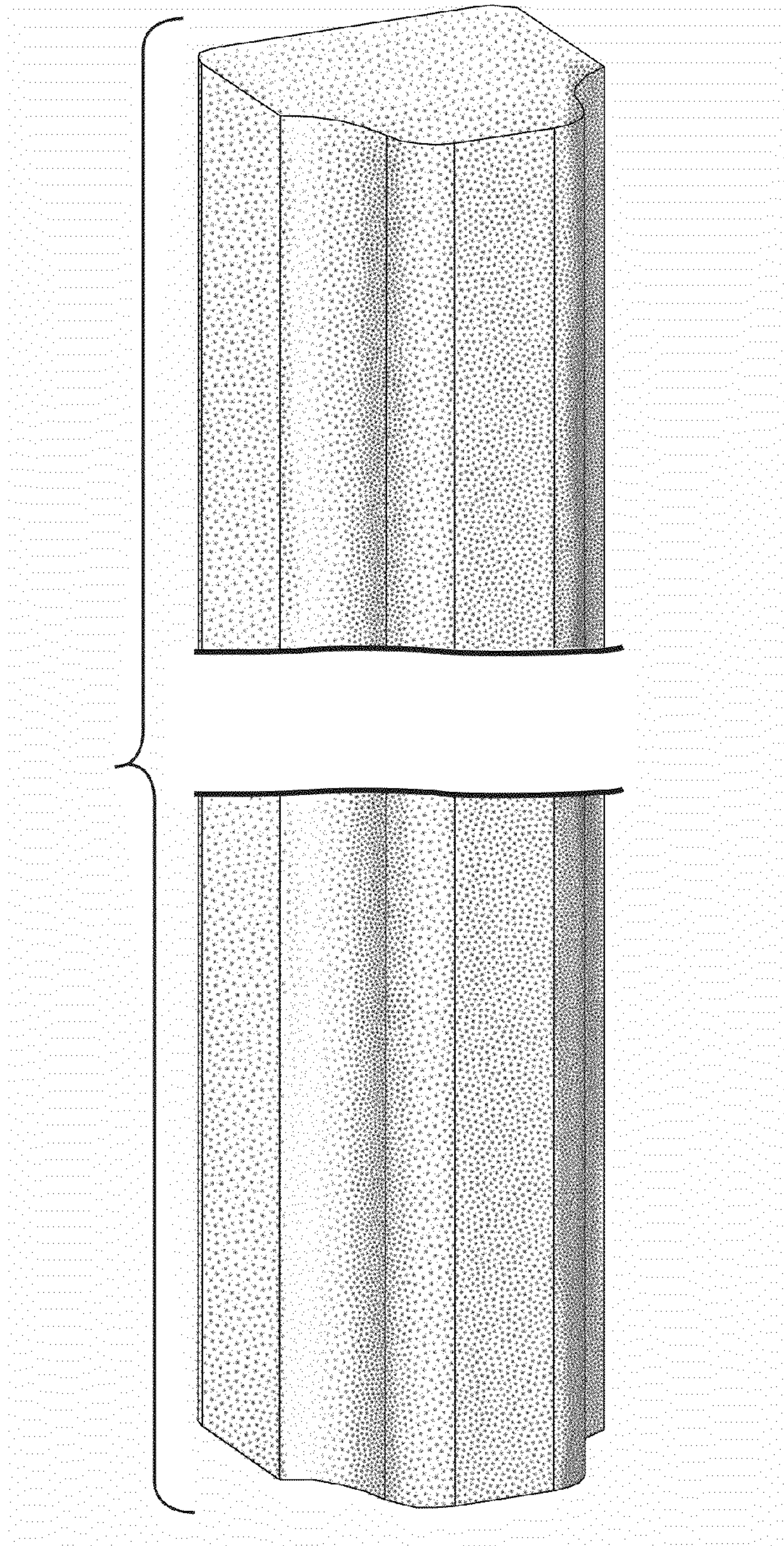


FIG. 3

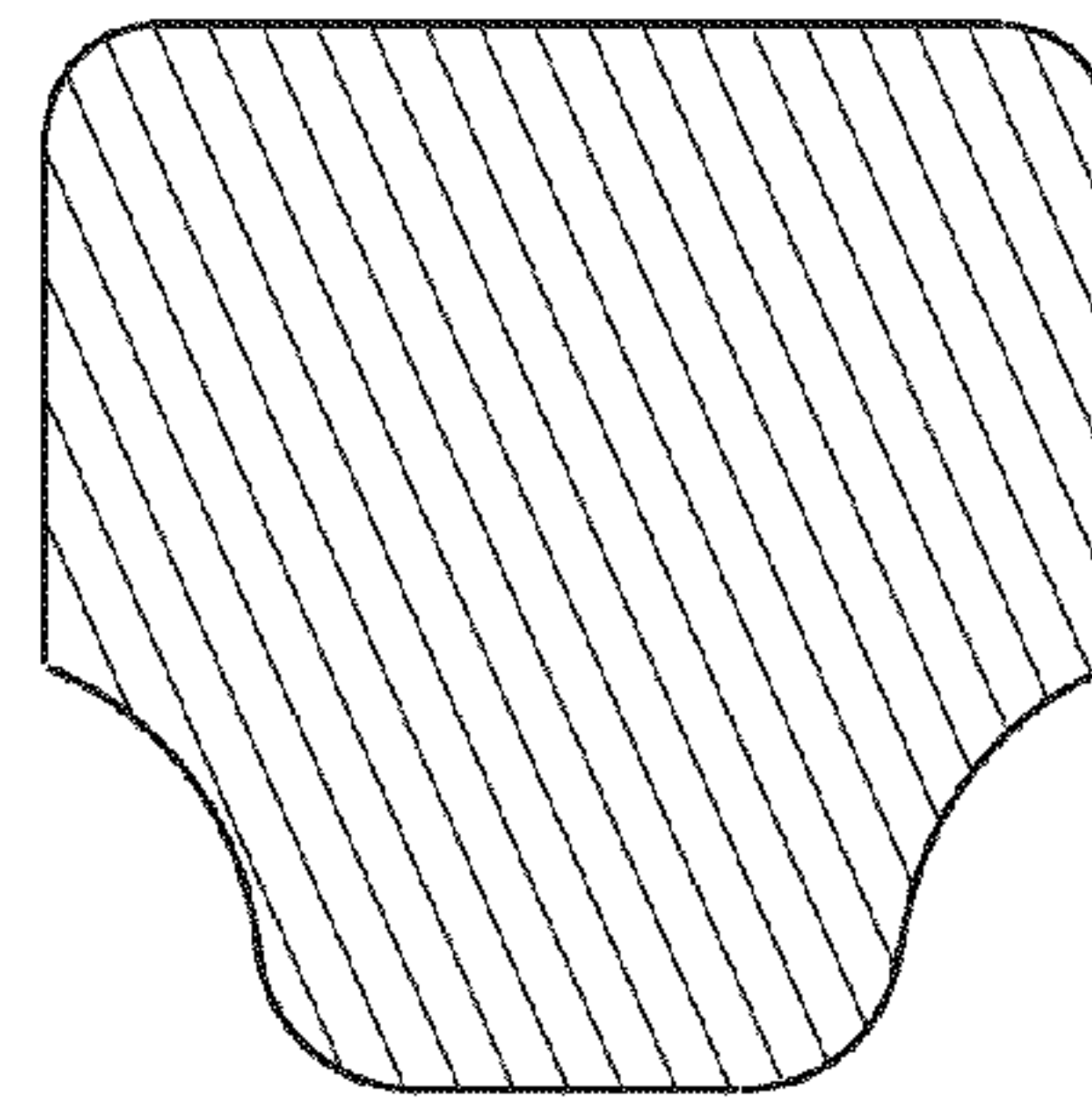


FIG. 4