



US00D756527S

(12) **United States Design Patent**
Cole et al.

(10) **Patent No.:** **US D756,527 S**
(45) **Date of Patent:** **** May 17, 2016**

(54) **SKIN CLEARING AND TONING DEVICE**

FOREIGN PATENT DOCUMENTS

(71) Applicant: **Carol Cole Company**, Vista, CA (US)

CA 2363383 5/2003
CN 102159151 8/2011

(72) Inventors: **Carol Cole**, San Marcos, CA (US); **Tera Peterson**, Carlsbad, CA (US)

(Continued)

(73) Assignee: **Carol Cole Company**, Vista, CA (US)

OTHER PUBLICATIONS

(**) Term: **15 Years**

EVis MD Platinum Product Literature in 1 page, accessed online Mar. 10, 2009—<http://www.evismd.com/product>.

(21) Appl. No.: **29/539,561**

(Continued)

(22) Filed: **Sep. 15, 2015**

Primary Examiner — Wan Laymon

(74) *Attorney, Agent, or Firm* — Knobbe Martens Olson & Bear LLP

Related U.S. Application Data

(63) Continuation of application No. 29/490,639, filed on May 12, 2014, now Pat. No. Des. 739,541.

(51) **LOC (10) Cl.** **24-01**

(52) **U.S. Cl.**
USPC **D24/200**

(58) **Field of Classification Search**
USPC D24/200, 209–215; 601/125, 135, 137, 601/21; 606/9

CPC ... A61N 5/0616; A61N 5/0613; A61N 1/328; A61N 2007/0034; A61N 2005/0644; A61H 7/003; A61H 7/005; A61H 7/00; A61H 7/001; A61H 7/004; A61H 15/0085; A61H 15/0078

See application file for complete search history.

(56) **References Cited**

U.S. PATENT DOCUMENTS

4,920,981 A 5/1990 Dervieux
5,304,207 A 4/1994 Stromer
5,358,503 A 10/1994 Bertwell et al.
D358,654 S 5/1995 Smith
D363,994 S 11/1995 Cheng
5,607,461 A 3/1997 Lathrop
5,662,644 A 9/1997 Swor
6,019,482 A 2/2000 Everett

(Continued)

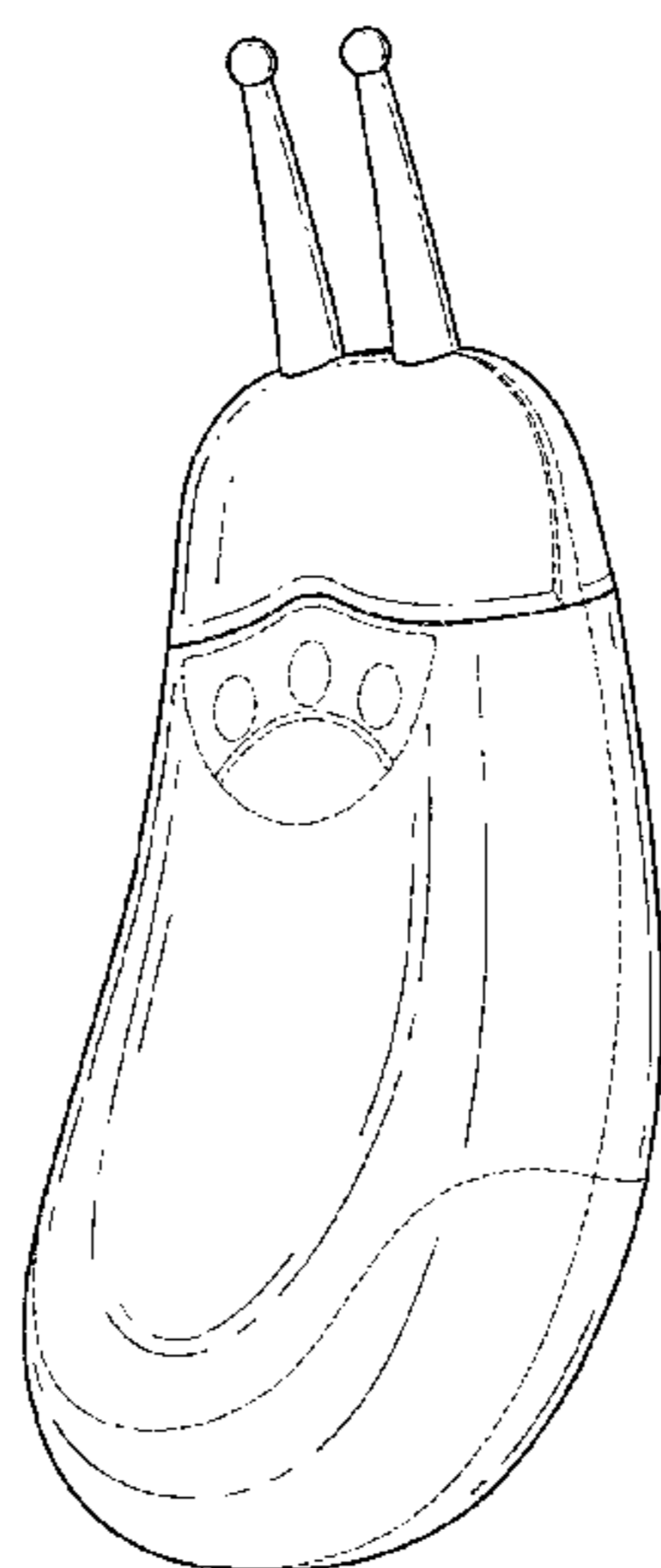
(57) **CLAIM**

The ornamental design for skin clearing and toning device, as shown and described.

DESCRIPTION

FIG. 1 is a perspective view of the skin clearing and toning device of the present invention;
FIG. 2 is a front elevational view of the skin clearing and toning device shown in FIG. 1;
FIG. 3 is a rear elevational view of the skin clearing and toning device shown in FIG. 1;
FIG. 4 is a left side elevational view of the skin clearing and toning device shown in FIG. 1, the right side view being a mirror image of the illustrated view;
FIG. 5 is a top plan view of the skin clearing and toning device shown in FIG. 1; and,
FIG. 6 is a bottom plan view of the skin clearing and toning device shown in FIG. 1.
The broken lines in the Figures show portions of the skin clearing and toning device which form no part of the claimed design.

1 Claim, 3 Drawing Sheets



(56)

References Cited

U.S. PATENT DOCUMENTS

6,083,250 A 7/2000 Lathrop
 6,094,595 A 7/2000 Takahashi
 D437,938 S 2/2001 Ko et al.
 D457,643 S 5/2002 Qi et al.
 6,497,702 B1 12/2002 Bernaz
 6,572,637 B1 6/2003 Yamazaki et al.
 D481,463 S 10/2003 Cook et al.
 D484,605 S 12/2003 Cook et al.
 D486,233 S 2/2004 Cook et al.
 D487,154 S 2/2004 Cook et al.
 6,702,808 B1 3/2004 Kreindel
 D490,528 S 5/2004 Cook et al.
 6,736,807 B2 5/2004 Yamazaki et al.
 6,766,199 B2 7/2004 Cook et al.
 6,790,205 B1 9/2004 Yamazaki et al.
 D498,302 S 11/2004 Wade
 6,872,221 B2 3/2005 Lytle
 6,887,260 B1 5/2005 McDaniel
 6,896,693 B2 5/2005 Sullivan
 6,902,275 B2 6/2005 Yamada et al.
 6,902,563 B2 6/2005 Wilkens et al.
 6,939,344 B2 9/2005 Kreindel
 6,989,023 B2 1/2006 Black
 7,014,639 B2 3/2006 Walneck et al.
 7,194,316 B2 3/2007 Bousfield et al.
 D539,916 S 4/2007 Baldachini
 7,204,846 B2 4/2007 Suzuki
 7,210,817 B2 5/2007 Lee et al.
 7,238,183 B2 7/2007 Kreindel
 7,250,047 B2 7/2007 Anderson et al.
 7,252,678 B2 8/2007 Ostler et al.
 7,258,675 B2 8/2007 Nichols
 7,258,695 B2 8/2007 Carullo, Jr. et al.
 7,291,140 B2 11/2007 MacFarland et al.
 7,305,269 B2 12/2007 Cook et al.
 7,309,335 B2 12/2007 Altshuler et al.
 7,311,722 B2 12/2007 Larsen
 7,331,952 B2 2/2008 Walneck
 7,331,964 B2 2/2008 Maricle et al.
 7,335,170 B2 2/2008 Milne et al.
 7,345,320 B2 3/2008 Dahm
 7,384,405 B2 6/2008 Rhoades
 D576,285 S 9/2008 Kennedy
 D586,469 S 2/2009 Henry
 7,494,503 B2 2/2009 McDaniel
 7,503,927 B1 3/2009 Vetanze
 D597,211 S 7/2009 Ewing et al.
 7,597,708 B2 10/2009 Carullo, Jr. et al.
 D608,897 S 1/2010 Cole et al.
 D611,159 S 3/2010 Cole et al.
 D620,597 S 7/2010 Cole et al.
 D623,308 S 9/2010 Kramer
 7,842,029 B2 11/2010 Anderson et al.
 D638,132 S 5/2011 Cole et al.
 7,993,381 B2 8/2011 Mac et al.
 8,048,135 B2 11/2011 Carullo, Jr. et al.
 8,057,525 B2 11/2011 Suzuki
 D651,321 S 12/2011 Marchese et al.
 D699,367 S * 2/2014 Lee D24/215
 D722,383 S * 2/2015 Cole D24/200
 2002/0133149 A1 9/2002 Bessette
 2002/0143373 A1 10/2002 Courtnage et al.
 2004/0147984 A1 7/2004 Altshuler et al.
 2005/0015121 A1 1/2005 Molina
 2005/0203593 A1 9/2005 Shanks et al.
 2005/0234516 A1 10/2005 Gueret
 2006/0030908 A1 2/2006 Powell et al.
 2006/0155220 A1 7/2006 Oslay
 2006/0173518 A1 8/2006 Kreindel
 2006/0200213 A1 9/2006 McDaniel
 2006/0247741 A1 11/2006 Hsu et al.
 2006/0269580 A1 11/2006 Cole et al.
 2007/0032840 A1 2/2007 Peluso
 2007/0032843 A1 2/2007 Hsu
 2007/0038206 A1 2/2007 Altshuler et al.

2007/0049910 A1 3/2007 Altshuler et al.
 2007/0073372 A1 3/2007 Heath
 2007/0198004 A1 8/2007 Altshuler et al.
 2007/0213696 A1 9/2007 Altshuler et al.
 2007/0213698 A1 9/2007 Altshuler et al.
 2007/0217199 A1 9/2007 Adam et al.
 2007/0239142 A1 10/2007 Altshuler et al.
 2007/0239143 A1 10/2007 Altshuler et al.
 2007/0293917 A1 12/2007 Thompson et al.
 2007/0293918 A1 12/2007 Thompson et al.
 2008/0004678 A1 1/2008 Kreindel
 2008/0014011 A1 1/2008 Rossen
 2008/0046027 A1 2/2008 Cook et al.
 2008/0058783 A1 3/2008 Altshuler et al.
 2008/0065176 A1 3/2008 Zhang et al.
 2008/0103560 A1 5/2008 Powell et al.
 2008/0103563 A1 5/2008 Powell et al.
 2008/0109049 A1 5/2008 Schumann
 2008/0119913 A1 5/2008 Powell et al.
 2008/0125835 A1 5/2008 Laurent
 2008/0140164 A1 6/2008 Oberreiter et al.
 2008/0172113 A1 7/2008 Gourgouliatos et al.
 2008/0183161 A1 7/2008 Walneck et al.
 2008/0195181 A1 8/2008 Cole
 2008/0214968 A1 9/2008 Milne et al.
 2008/0214969 A1 9/2008 Milne et al.
 2008/0269848 A1 10/2008 Birmingham et al.
 2008/0294152 A1 11/2008 Alshuler et al.
 2008/0312647 A1 12/2008 Knopp et al.
 2009/0005631 A1 1/2009 Simenhaus et al.
 2009/0093749 A1 4/2009 Shalev et al.
 2009/0156958 A1 6/2009 Mehta et al.
 2009/0227996 A1 9/2009 Powell et al.
 2009/0254155 A1 10/2009 Kanarsky et al.
 2009/0254156 A1 10/2009 Powell et al.
 2010/0105977 A1 4/2010 Taboada et al.
 2010/0121254 A1 5/2010 McDaniel
 2010/0145255 A1 6/2010 Popescu et al.
 2010/0152645 A1 6/2010 Ogasawara
 2010/0174222 A1 7/2010 McDaniel
 2010/0179469 A1 7/2010 Hammond et al.
 2010/0185266 A1 7/2010 Suzuki
 2010/0274329 A1 10/2010 Bradley et al.
 2011/0015549 A1 1/2011 Eckhouse et al.
 2011/0112520 A1 5/2011 Michael
 2011/0213447 A1 9/2011 Hottinger et al.
 2011/0238142 A1 9/2011 Hottinger et al.
 2011/0245734 A1 10/2011 Wagner et al.
 2011/0251523 A1 * 10/2011 Kim A61N 7/00
 601/2
 2012/0016174 A1 1/2012 Taboada et al.
 2012/0065575 A1 3/2012 Kader
 2012/0071794 A1 3/2012 Karni

FOREIGN PATENT DOCUMENTS

EP 1566198 8/2005
 JP 2000316990 11/2000
 JP 2004201718 7/2004
 WO WO 9836725 8/1998
 WO WO 2006051985 5/2006
 WO WO 2007090256 8/2007
 WO WO 2009011529 1/2009
 WO WO 2010112096 10/2010

OTHER PUBLICATIONS

GentleWaves Product Literature in 2 pages, accessed online Mar. 10, 2009—http://www.lightbioscience.com/spa/skin_fitness.html.
 Omnilux clear-U Product Literature in 1 page, accessed online Mar. 10, 2009—<http://www.phototherapeutics.com/pdf/clear-u-brochure.pdf>.
 Omnilux new-U Product Literature in 1 page, accessed online Mar. 10, 2009—<http://www.phototherapeutics.com/pdf/new-u-brochure.pdf>.
 Quasar Light Therapy Product Literature in 1 page, accessed online Mar. 10, 2009—<http://babyquasar.com/quasar-pro-line.php>.
 Quasar Light Therapy Product Literature in 1 page, accessed online Mar. 10, 2009—<http://babyquasar.com/baby-quasar.php>.

(56)

References Cited

OTHER PUBLICATIONS

Quasar Light Therapy Product Literature in 1 page, accessed online
Mar. 10, 2009—<http://babyquasar.com/baby-blue.php>.

Tanda Skincare System Product Literature in 1 page, accessed online
Mar. 10, 2009—<http://www.tanda.com/retail.shtml>.

* cited by examiner

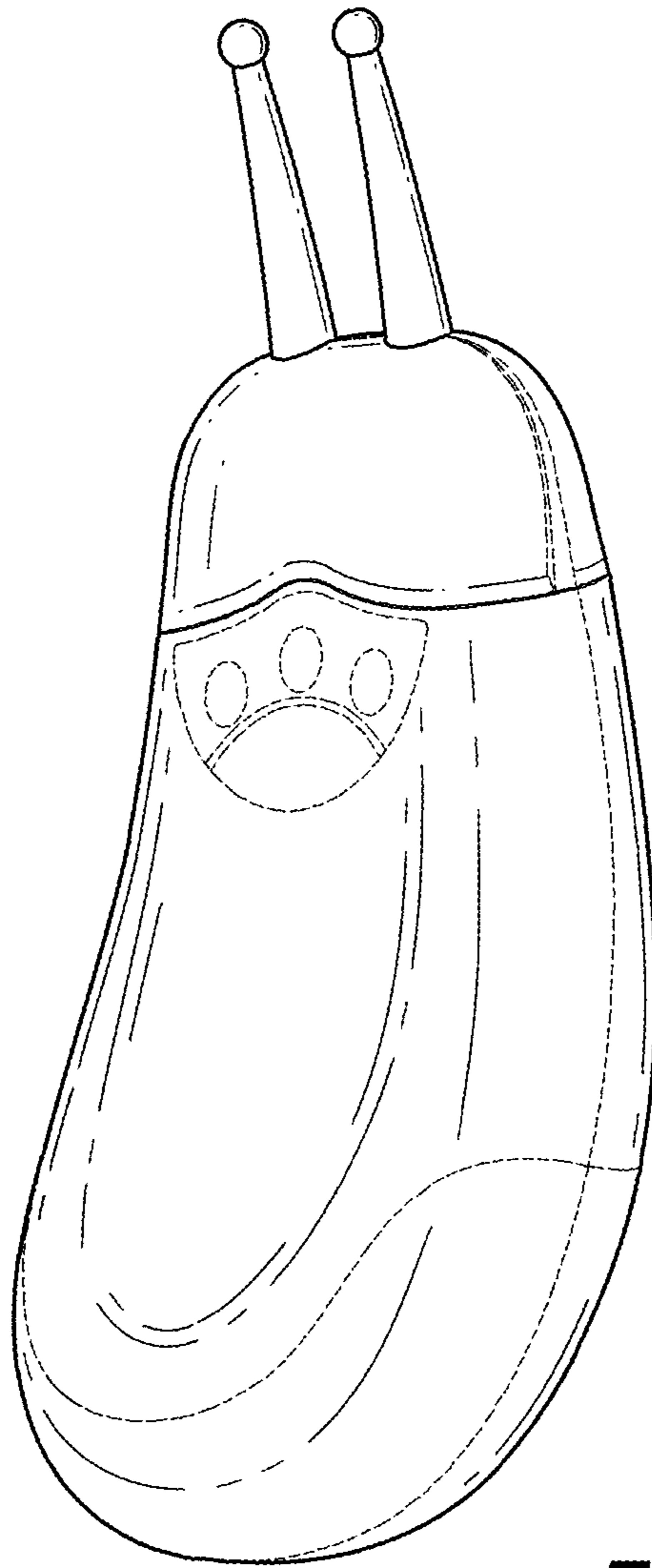


FIG. 1

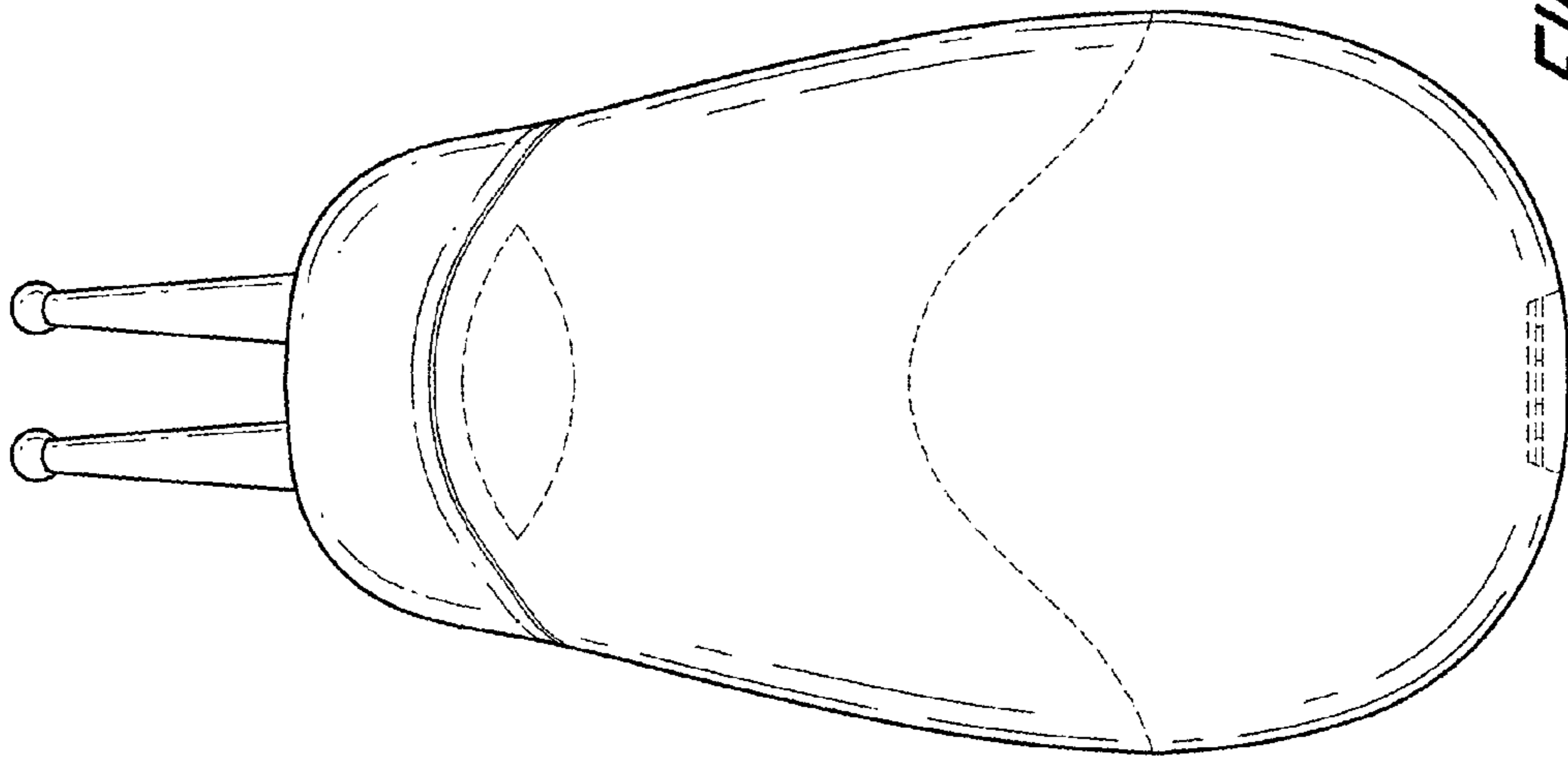


FIG. 3

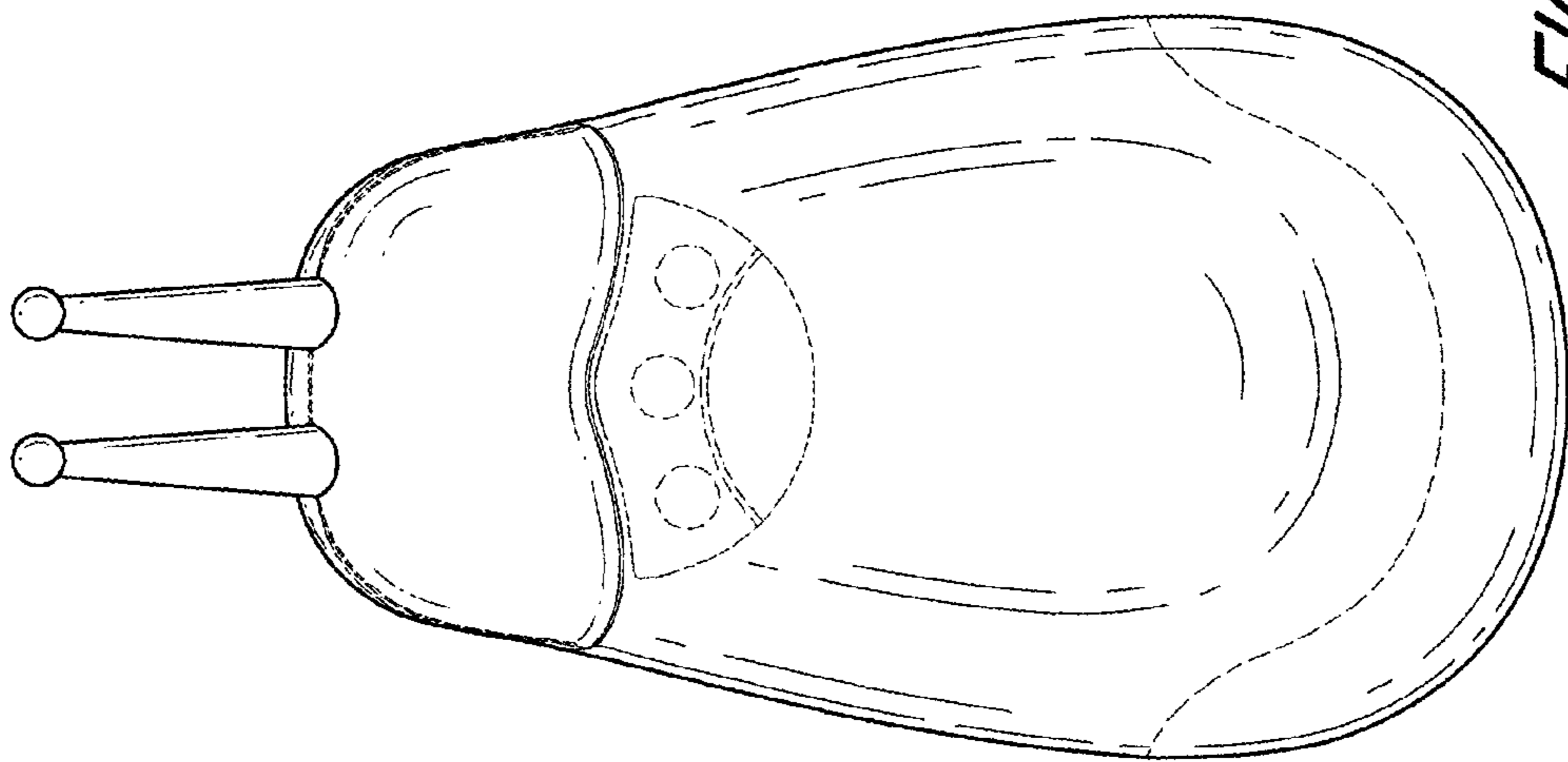


FIG. 2

