



US00D756526S

(12) **United States Design Patent**  
**Ho**

(10) **Patent No.:** **US D756,526 S**  
(45) **Date of Patent:** **\*\* May 17, 2016**

(54) **TRANSCUTANEOUS ELECTRICAL NERVE STIMULATION DEVICE**

(71) Applicant: **Hoi Ming Michael Ho**, Ontario (CA)

(72) Inventor: **Hoi Ming Michael Ho**, Ontario (CA)

(\*\*) Term: **15 Years**

(21) Appl. No.: **29/527,419**

(22) Filed: **May 19, 2015**

(51) **LOC (10) Cl.** ..... **24-01**

(52) **U.S. Cl.**  
USPC ..... **D24/200**

(58) **Field of Classification Search**  
USPC ..... D24/165, 167, 168, 187, 200;  
D14/135–138, 170–171, 188, 217–218,  
D14/203.1, 203.3, 341, 507, 125–126, 159;  
D10/65

CPC ..... A61N 1/36021; A61N 1/36014; A61N  
1/0456; A61N 1/00; A61N 1/02; A61N 1/025;  
A61M 21/02

See application file for complete search history.

(56) **References Cited**

**U.S. PATENT DOCUMENTS**

D448,009 S *	9/2001	Lavelle	.....	D14/125
D468,276 S *	1/2003	Chang	.....	D14/126
D477,880 S *	7/2003	Moretto	.....	D24/200
D504,890 S *	5/2005	Sung	.....	D14/341
D512,980 S *	12/2005	Zuehlsdorff	.....	D14/188
D548,733 S *	8/2007	Johansson	.....	D14/341
D549,828 S *	8/2007	Wolfson	.....	D24/170
D562,786 S *	2/2008	Zayana	.....	D14/126
D562,789 S *	2/2008	Huang	.....	D14/126
D563,806 S *	3/2008	Jeon	.....	D10/65
D563,807 S *	3/2008	Jeon	.....	D10/65
D589,476 S *	3/2009	Li	.....	D14/126
D601,139 S *	9/2009	Huang	.....	D14/341
D603,968 S *	11/2009	Brefka	.....	D24/186
D615,199 S *	5/2010	Zimmerli	.....	D24/137
D628,570 S *	12/2010	Li	.....	D14/341

D649,547 S *	11/2011	Huang	.....	D14/341
D659,563 S *	5/2012	Groener	.....	D10/65
D659,836 S *	5/2012	Bensch	.....	D24/167
D666,616 S *	9/2012	Tang	.....	D14/341
D674,105 S *	1/2013	Rundle	.....	D24/200
D710,350 S *	8/2014	Steiger	.....	D14/341
D725,784 S *	3/2015	Xia	.....	D24/186

(Continued)

**FOREIGN PATENT DOCUMENTS**

CA 2408656 A1 \* 4/2003 ..... A61N 1/36021

**OTHER PUBLICATIONS**

Medior, Portable Electronic Muscle Stimulator, posted at Alibaba [online], posting date not available [site visited Jan. 8, 2016]. Available on the Internet, <URL: [http://www.alibaba.com/product-detail/Wonderful-Massage-Portable-Electronic-Muscle-Stimulator\\_60100034023.html](http://www.alibaba.com/product-detail/Wonderful-Massage-Portable-Electronic-Muscle-Stimulator_60100034023.html)>.\*

(Continued)

*Primary Examiner* — Catheri Oliver-Garcia

*Assistant Examiner* — Rebekah Caruso

(74) *Attorney, Agent, or Firm* — Bacon & Thomas, PLLC

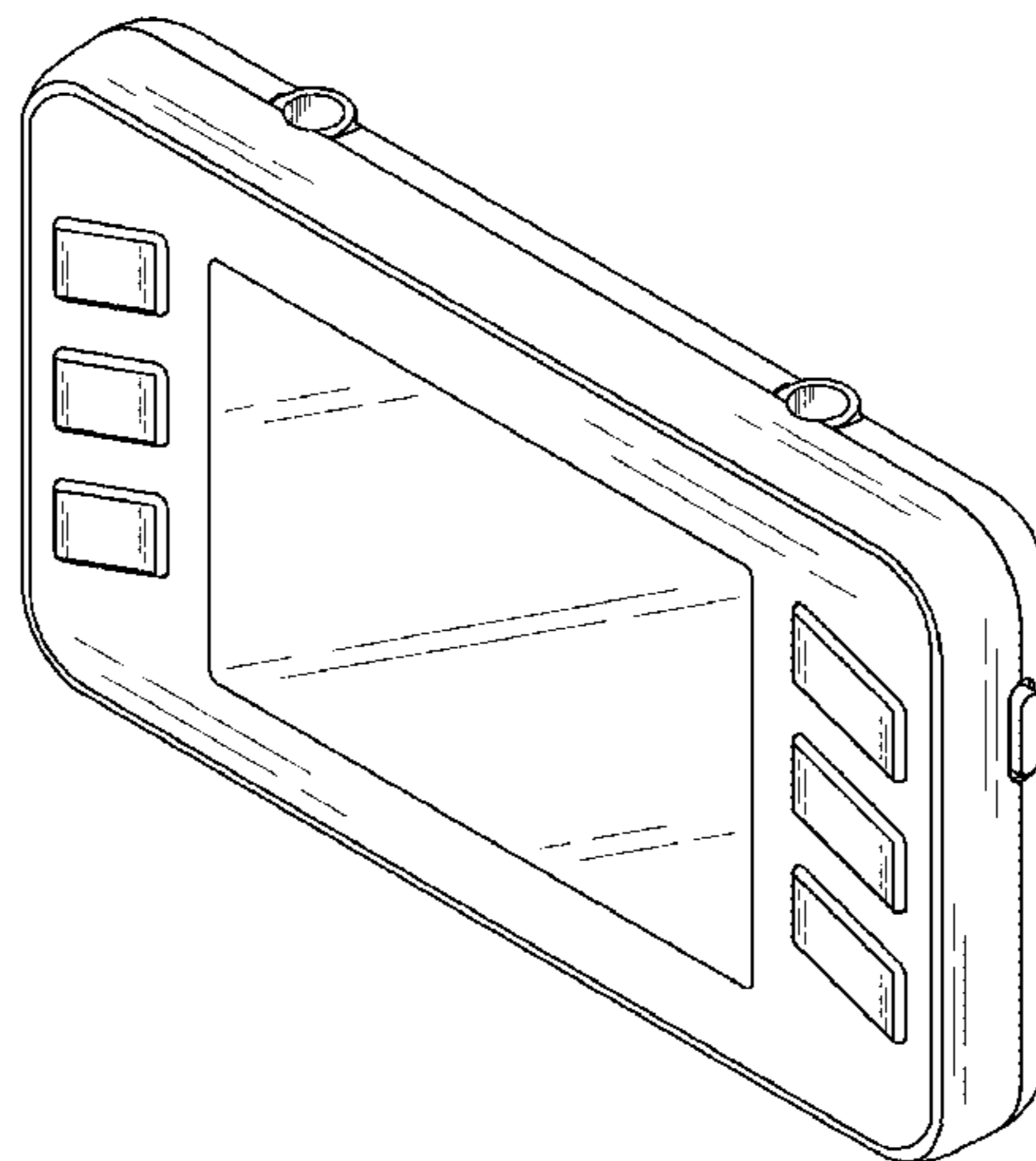
(57) **CLAIM**

The ornamental design for a transcutaneous electrical nerve stimulation device, as shown and described above.

**DESCRIPTION**

FIG. 1 is a perspective view of a transcutaneous electrical nerve stimulation device showing my new design; FIG. 2 is a front elevational view thereof; FIG. 3 is a rear elevational view thereof; FIG. 4 is a left side elevational view thereof; FIG. 5 is a right side elevational view thereof; FIG. 6 is a top plan view thereof; FIG. 7 is a bottom plan view thereof; and, FIG. 8 is a perspective view from the bottom up thereof.

**1 Claim, 7 Drawing Sheets**



(56)

**References Cited**

U.S. PATENT DOCUMENTS

2004/0015189 A1\* 1/2004 McGraw ..... A61N 1/326  
607/3  
2012/0109230 A1\* 5/2012 Kothandaraman . A61N 1/37247  
607/2  
2014/0039573 A1\* 2/2014 Jindra ..... A61N 1/36003  
607/48

OTHER PUBLICATIONS

TENS Unit with sandals massager, posted at Huakang [online], posting date not available [site visited Jan. 8, 2016]. Available on the Internet, <URL: [http://www.hktens.com/Tens-unit-with-sandals-massager\\_p86.html](http://www.hktens.com/Tens-unit-with-sandals-massager_p86.html)>.\*

\* cited by examiner

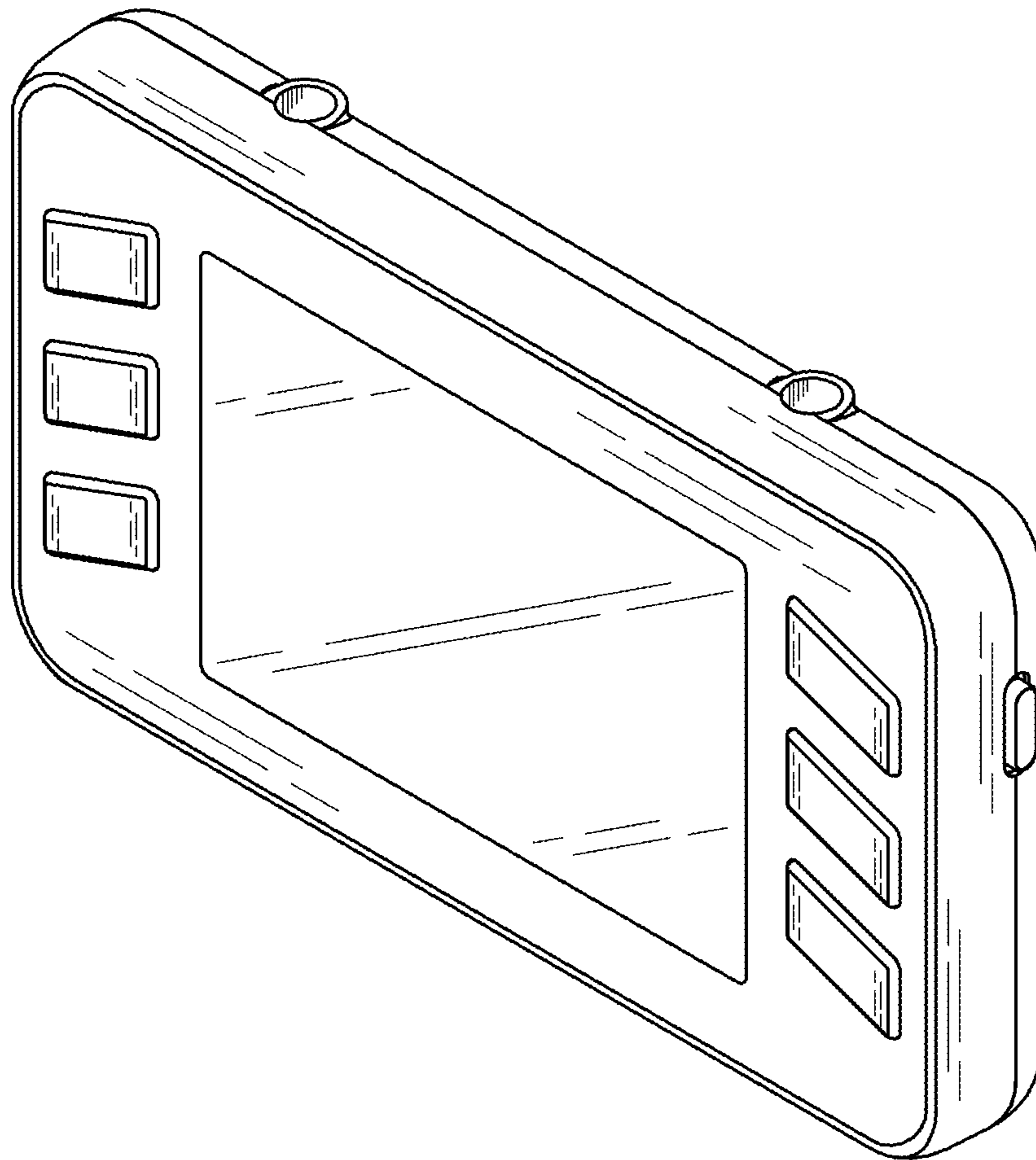


FIG. 1

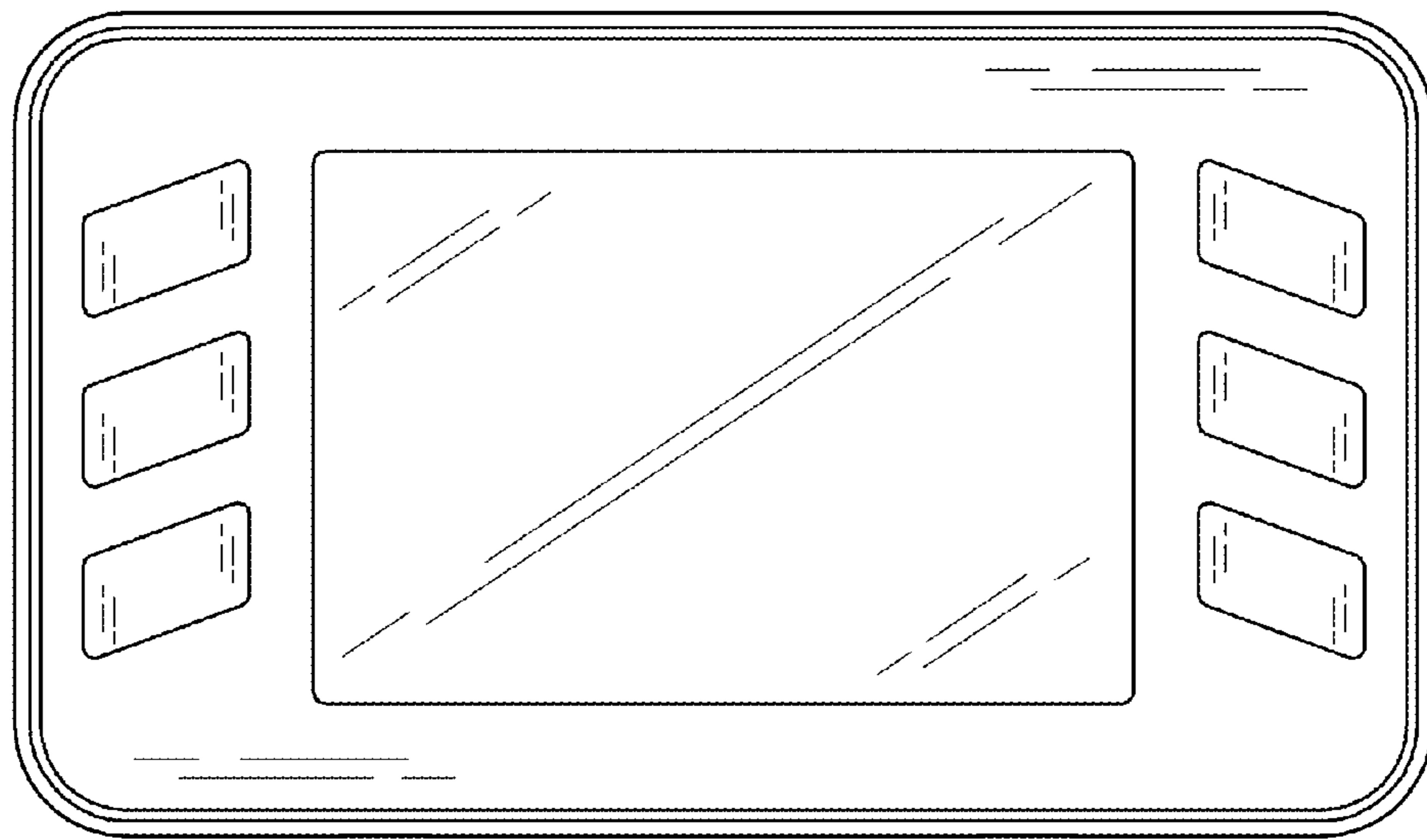


FIG. 2

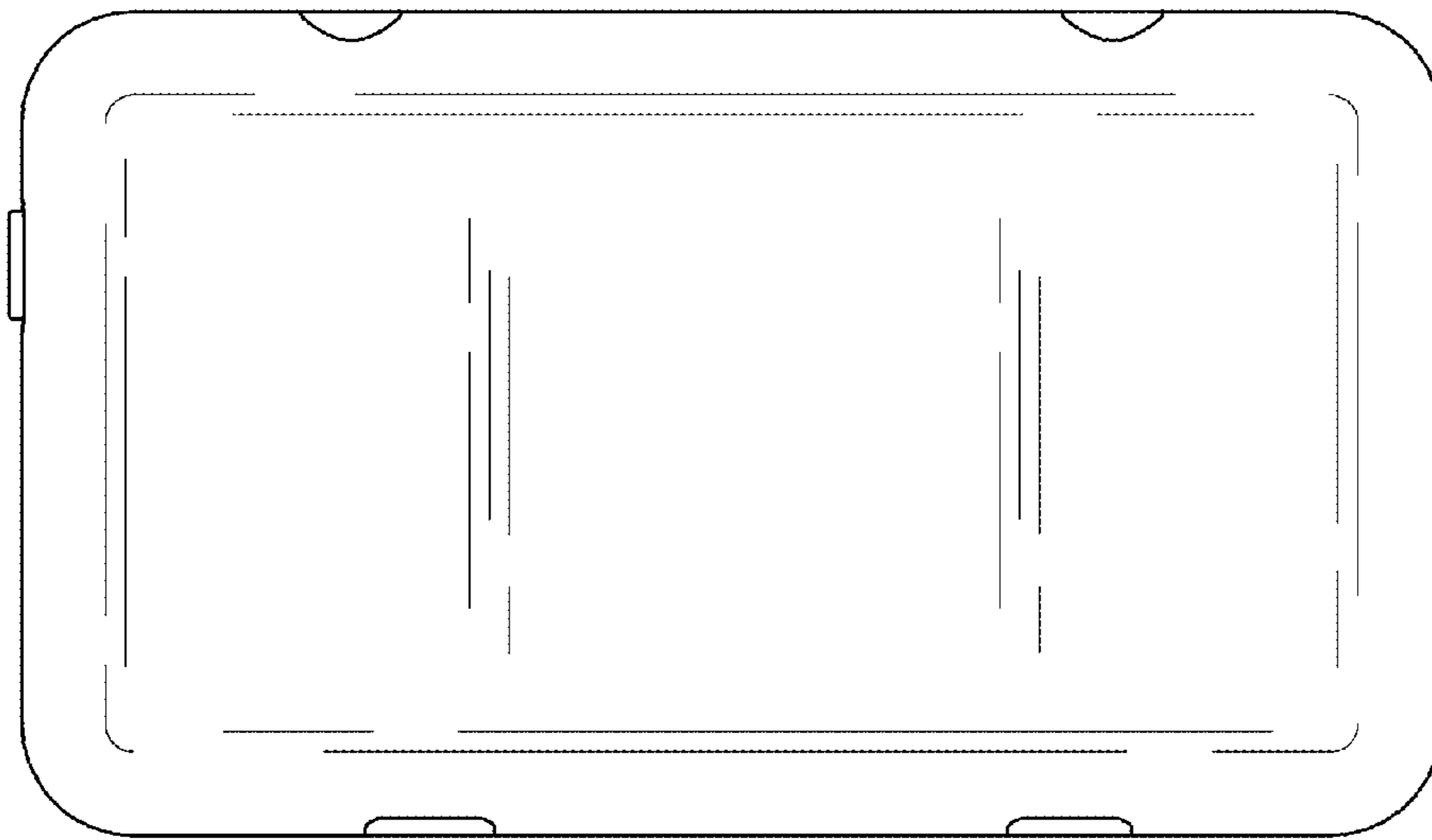


FIG. 3

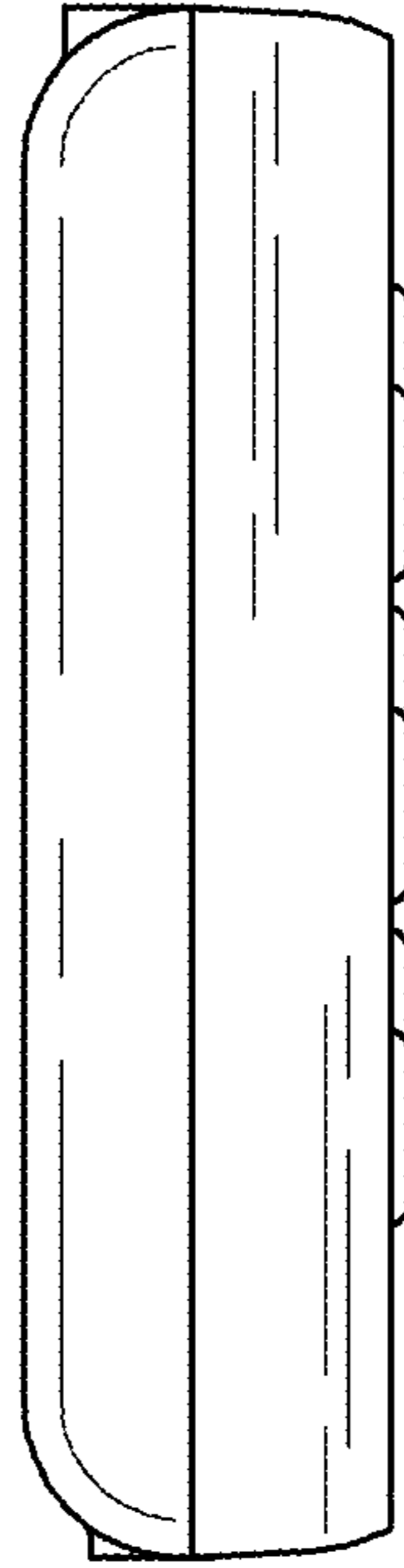


FIG. 4

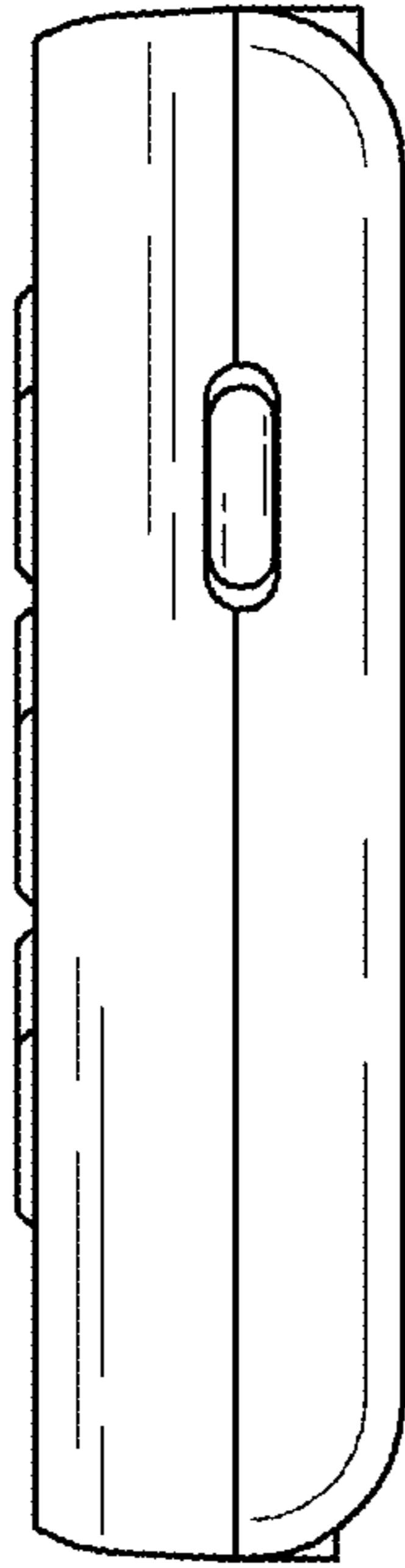


FIG. 5

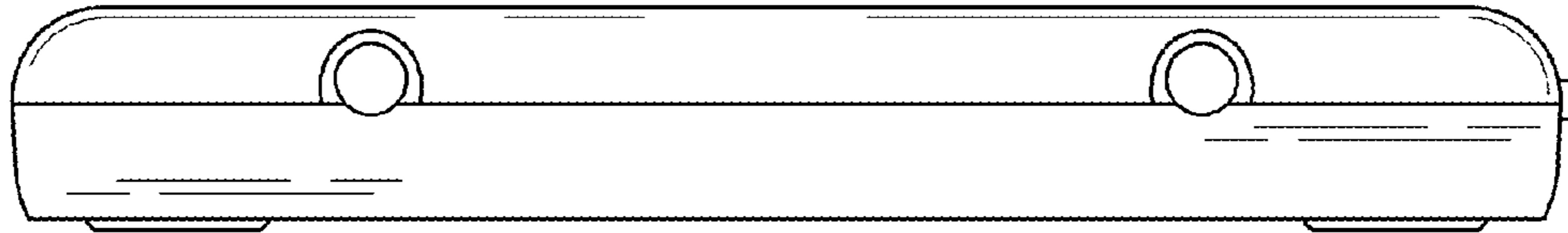


FIG. 6

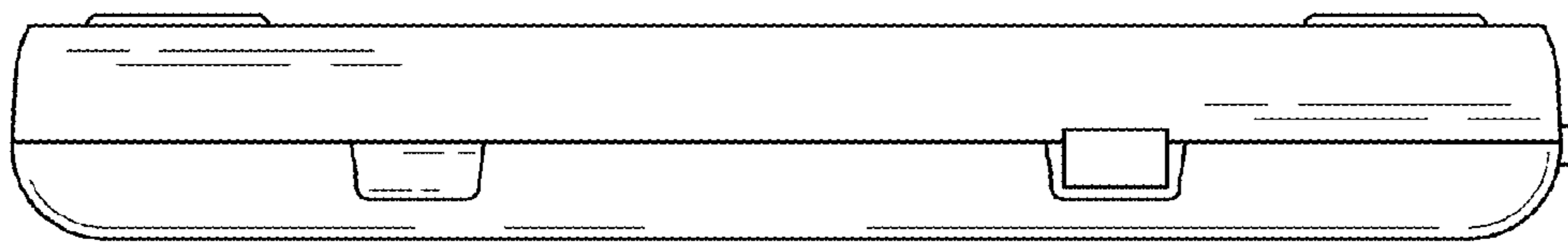


FIG. 7



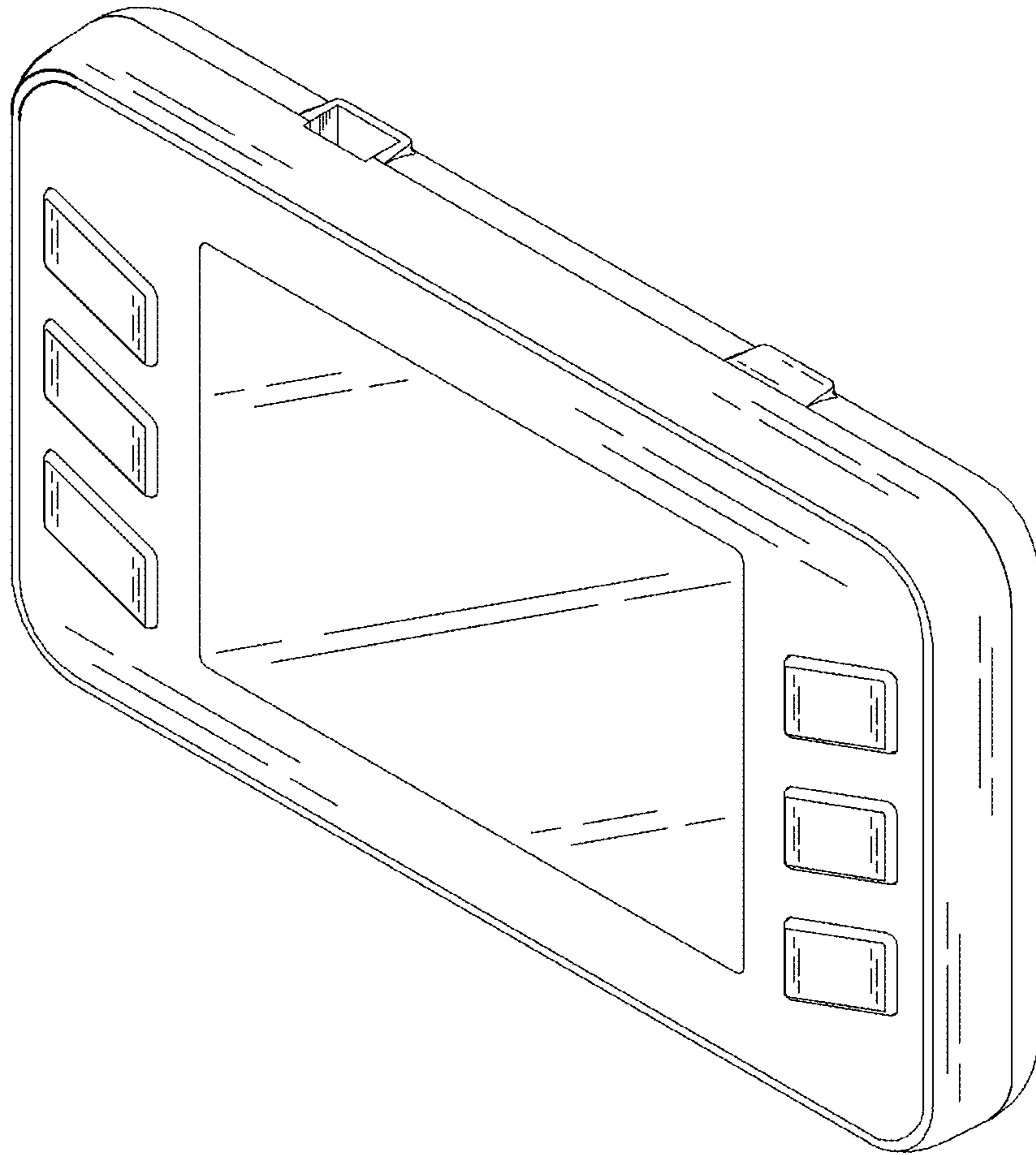


FIG. 8