

US00D756523S

(12) **United States Design Patent**
Tsai et al.

(10) **Patent No.:** **US D756,523 S**

(45) **Date of Patent:** **** May 17, 2016**

(54) **DOCKING STATION OF REMOTE MEDICAL SYSTEM**

5/24; A61B 5/4824; A61B 5/483
See application file for complete search history.

(71) Applicant: **Quanta Computer Inc.**, Taoyuan Shien (TW)

(56) **References Cited**

(72) Inventors: **Po-Chih Tsai**, Tainan (TW); **Ting-Han Huang**, Taichung (TW); **Kang-Wen Lin**, New Taipei (TW); **Chia-Yuan Chang**, Taichung (TW)

U.S. PATENT DOCUMENTS

(73) Assignee: **QUANTA COMPUTER INC.**, Guishan Dist., Taoyuan (TW)

D650,910 S *	12/2011	Shibata	D24/216
D661,309 S *	6/2012	Murrer	D14/447
D661,810 S *	6/2012	Zanoni	D24/186
D674,396 S *	1/2013	Yang	D14/447
D699,368 S *	2/2014	Quilter	D24/186
D709,075 S *	7/2014	Miniard	D14/447
9,094,493 B2 *	7/2015	Quilter	G06F 19/366

(**) Term: **14 Years**

* cited by examiner

(21) Appl. No.: **29/458,662**

Primary Examiner — Zenia Bennett

(22) Filed: **Jun. 21, 2013**

(74) *Attorney, Agent, or Firm* — Rabin & Berdo, P.C.

(30) **Foreign Application Priority Data**

May 3, 2013 (TW) 102303148

(51) **LOC (10) Cl.** **24-01**

(52) **U.S. Cl.**
USPC **D24/186**

(58) **Field of Classification Search**
USPC D24/167, 186; D11/3; D10/30-39, 65, D10/70, 78, 97, 98, 103; D13/173-177; D14/203.5, 247, 338-340, 344, 346, D14/347
CPC G08G 1/096883; G08G 1/096872; G08G 1/096775; G01C 21/16; G01C 21/3688; G01C 21/30; G01V 8/20; G01J 5/023; G01J

(57) **CLAIM**

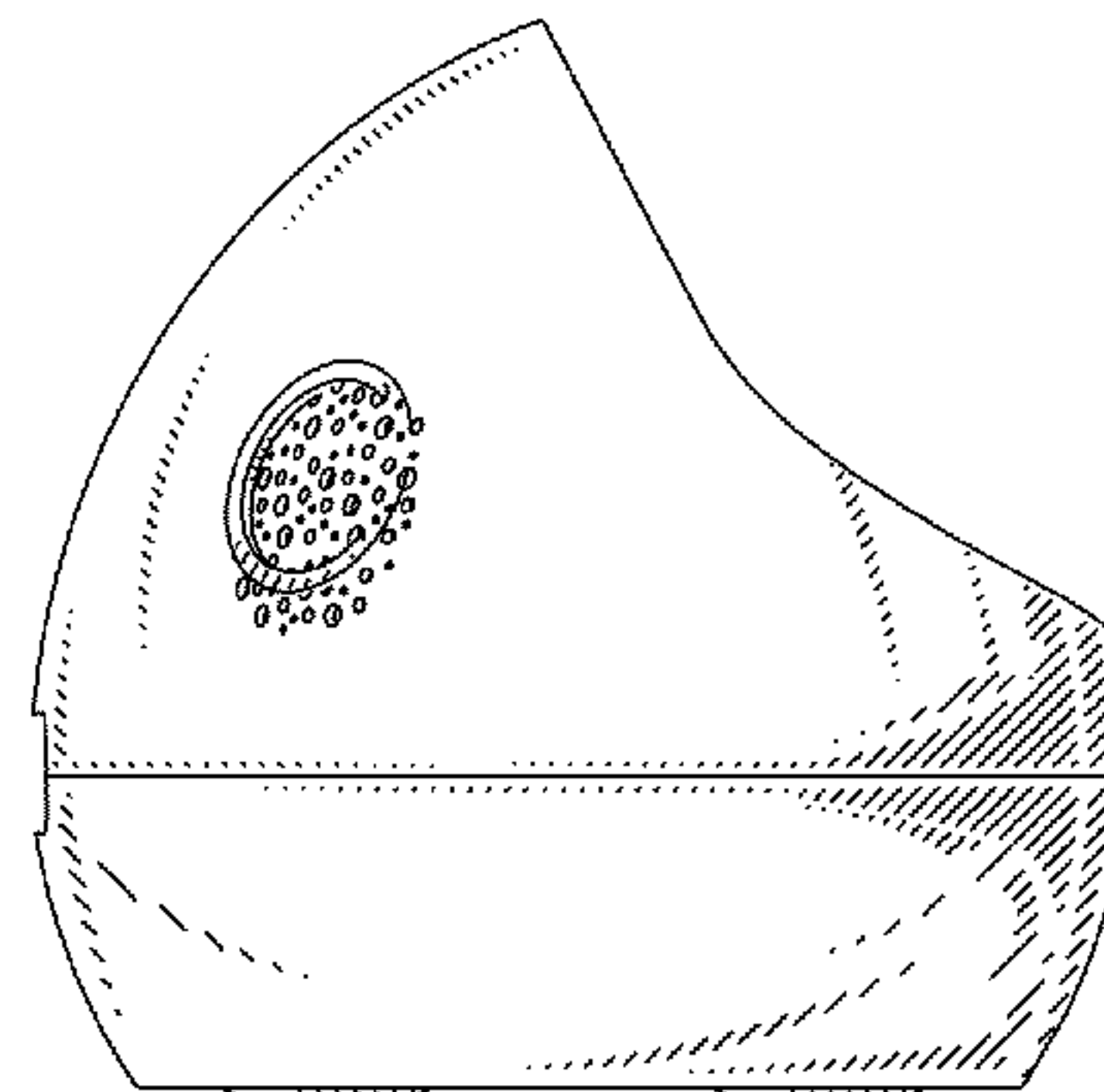
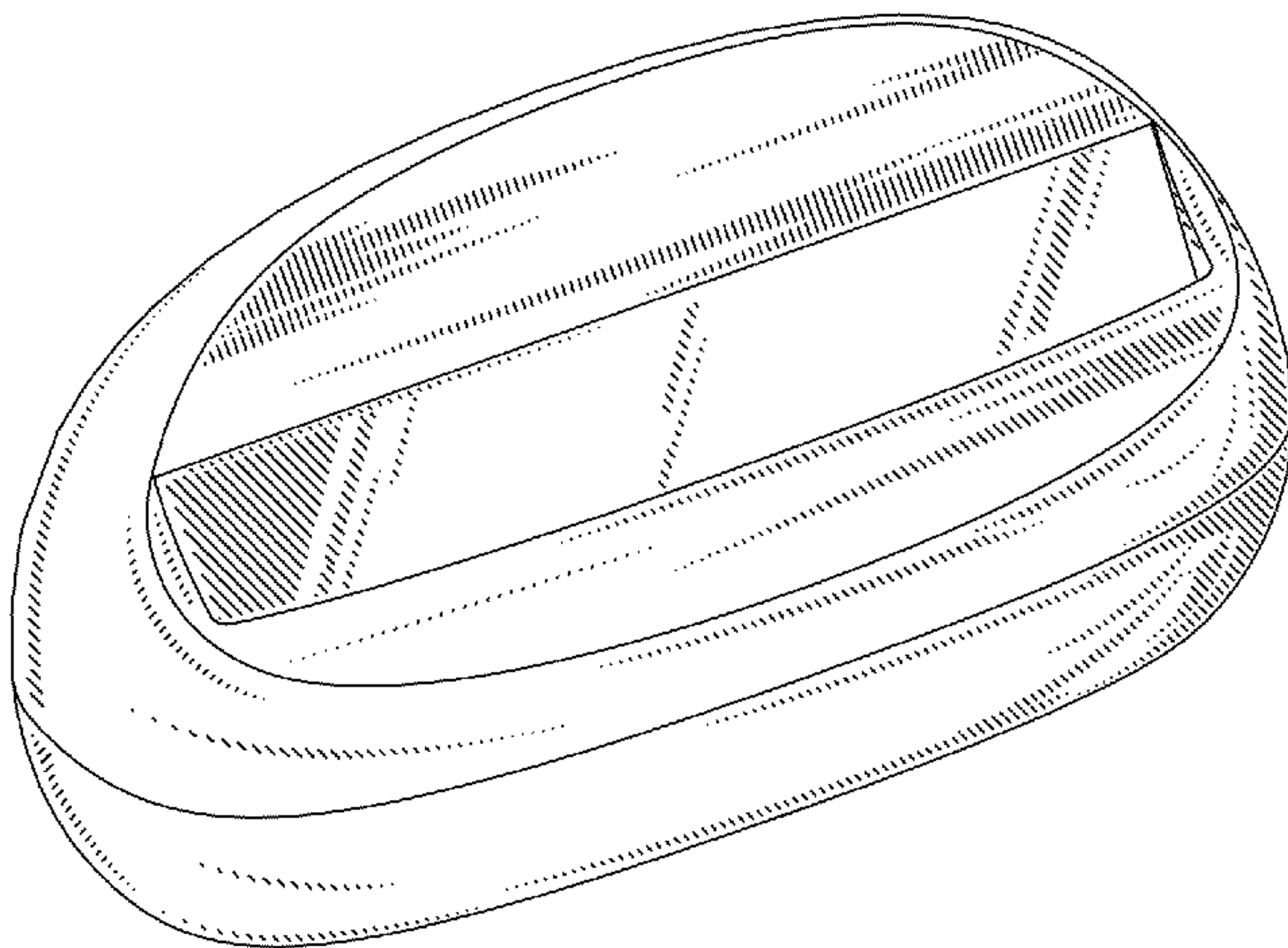
The ornamental design for a docking station of remote medical system, as shown and described.

DESCRIPTION

FIG. 1 is a perspective view of a docking station of remote medical system showing our new design;
FIG. 2 is a front view thereof;
FIG. 3 is a rear view thereof;
FIG. 4 is a left side view thereof;
FIG. 5 is a right side view thereof;
FIG. 6 is a top view thereof; and,
FIG. 7 is a bottom view thereof.

The broken lines are for environmental purposes only and form no part of the claimed design.

1 Claim, 4 Drawing Sheets



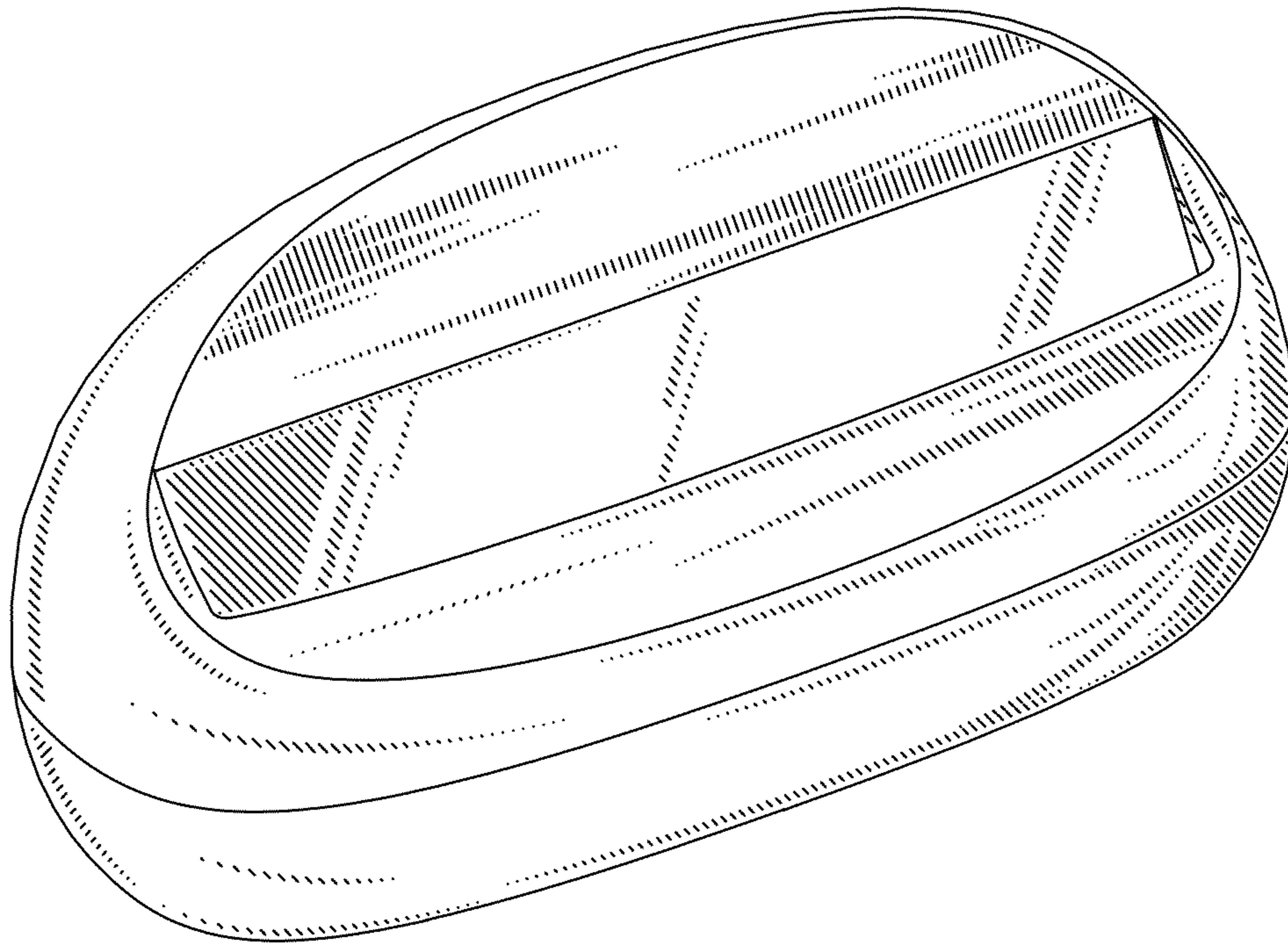


FIG. 1

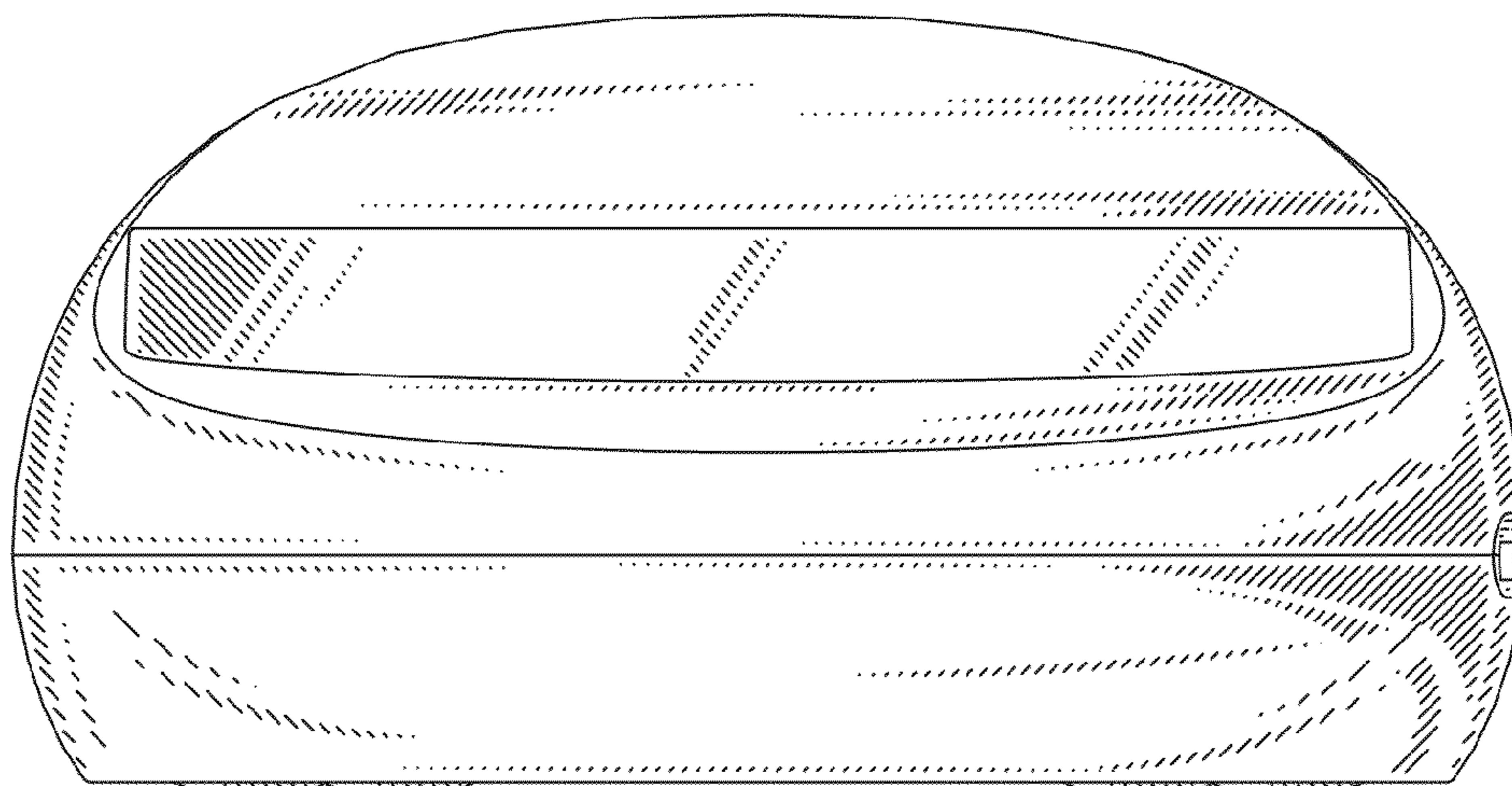


FIG. 2

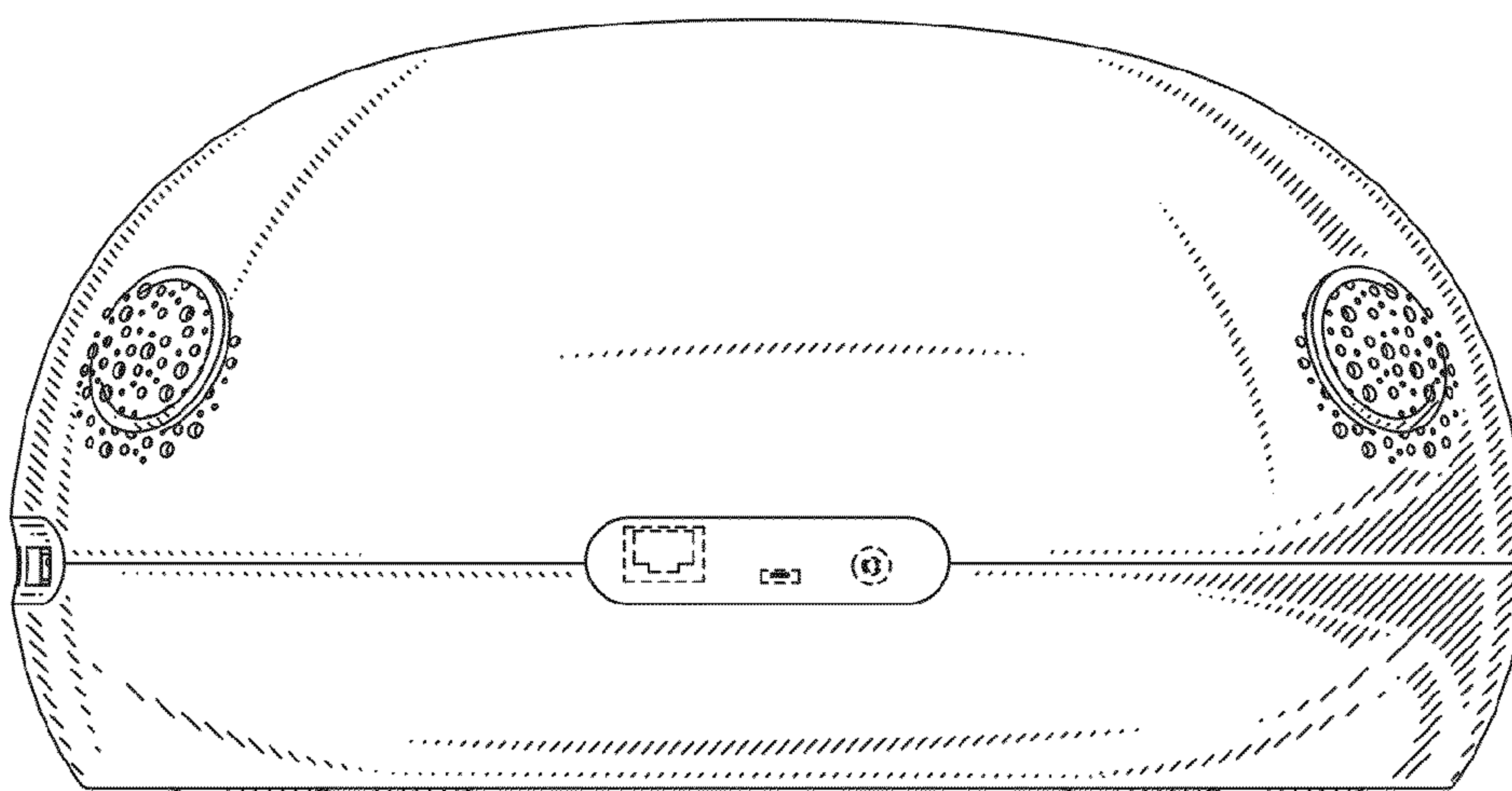


FIG. 3

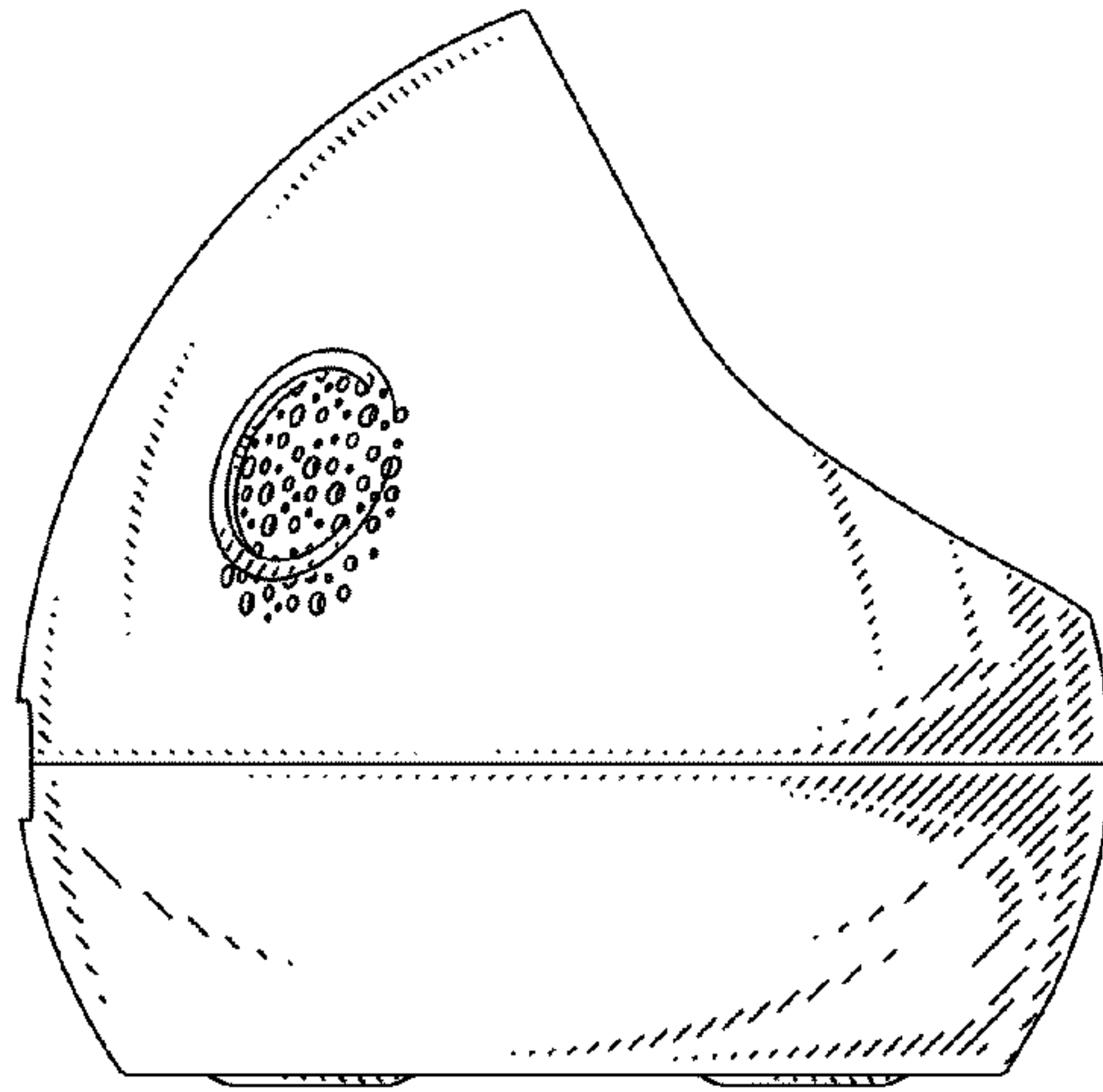


FIG. 4

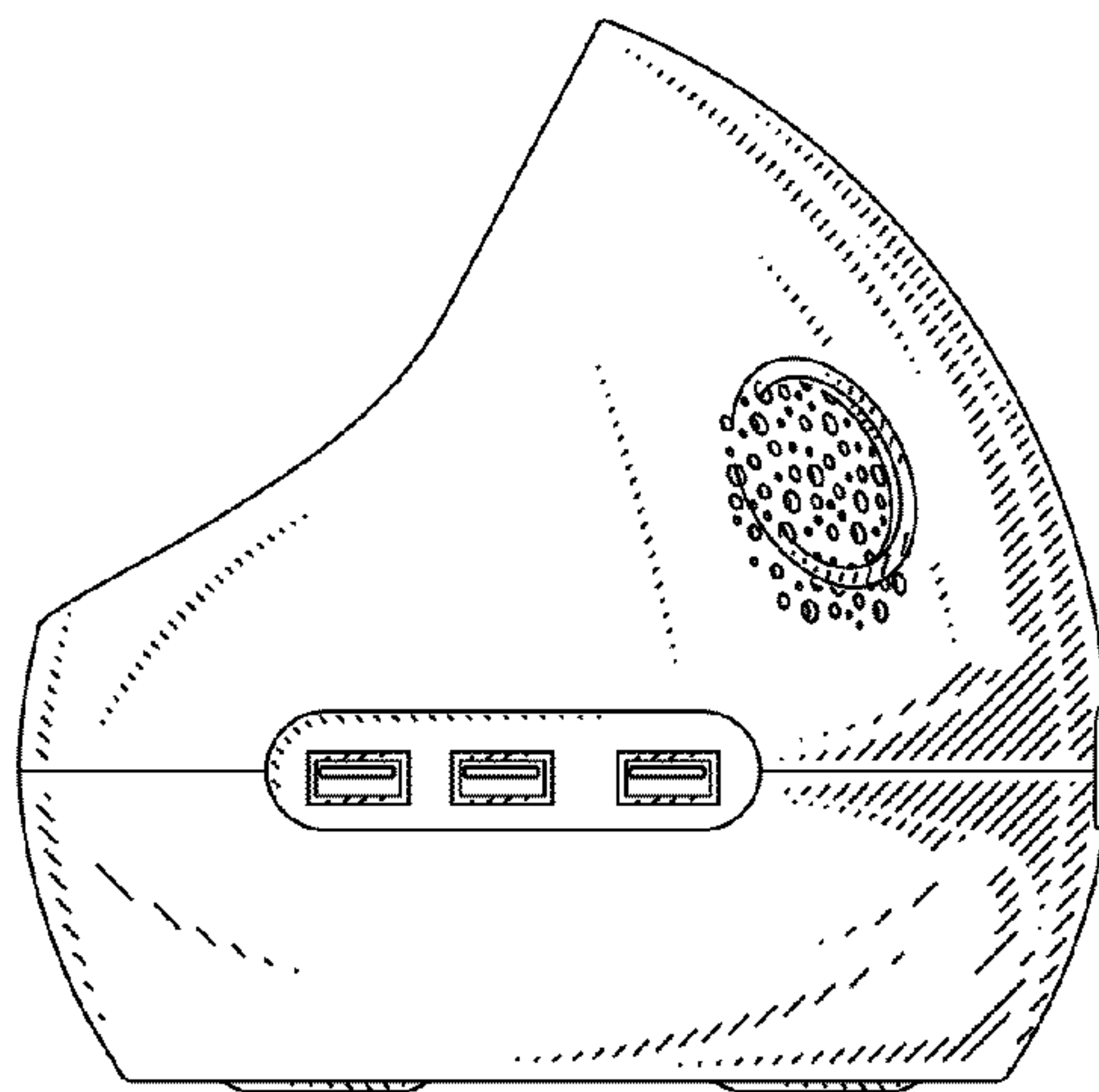


FIG. 5

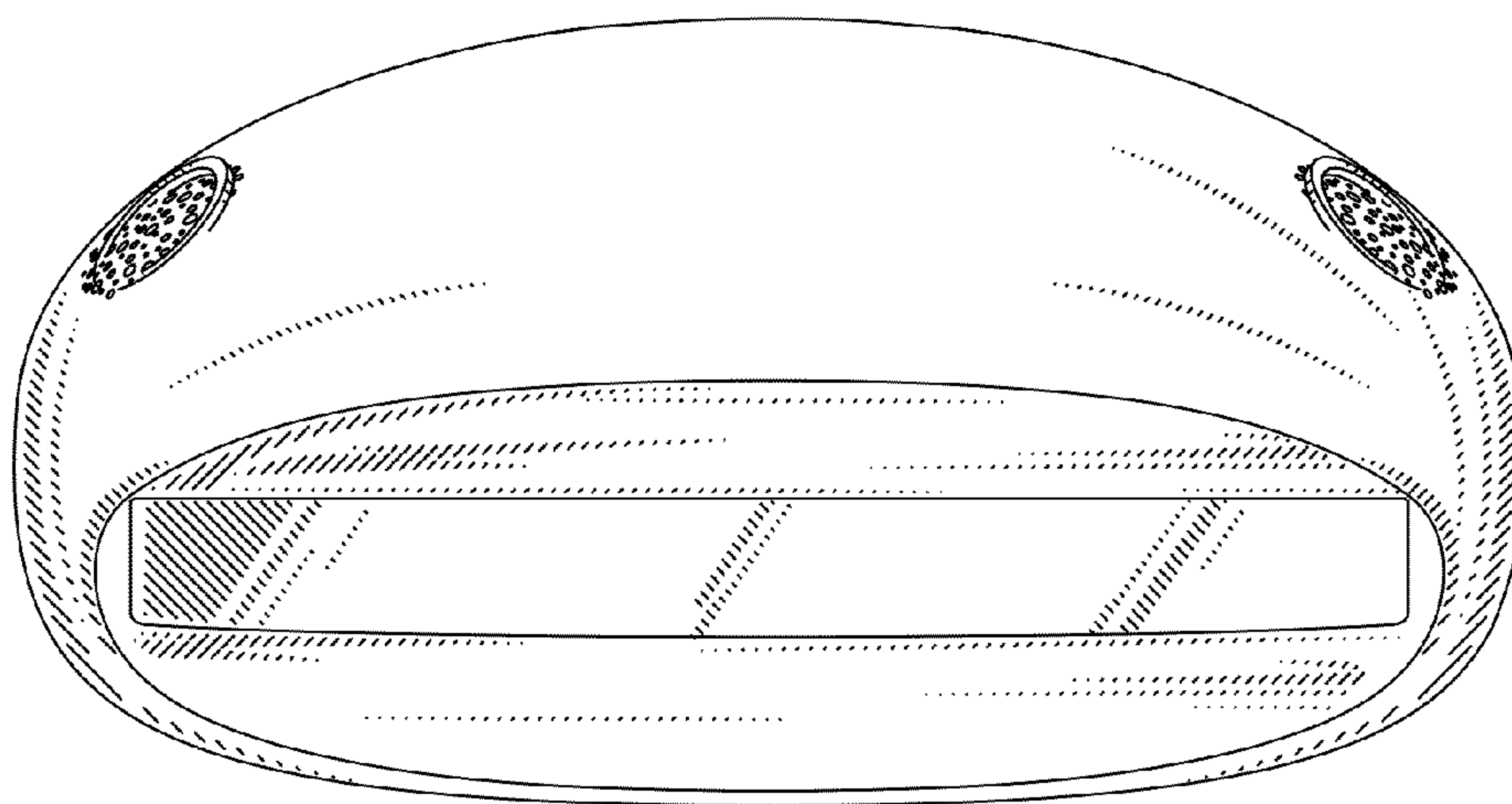


FIG. 6

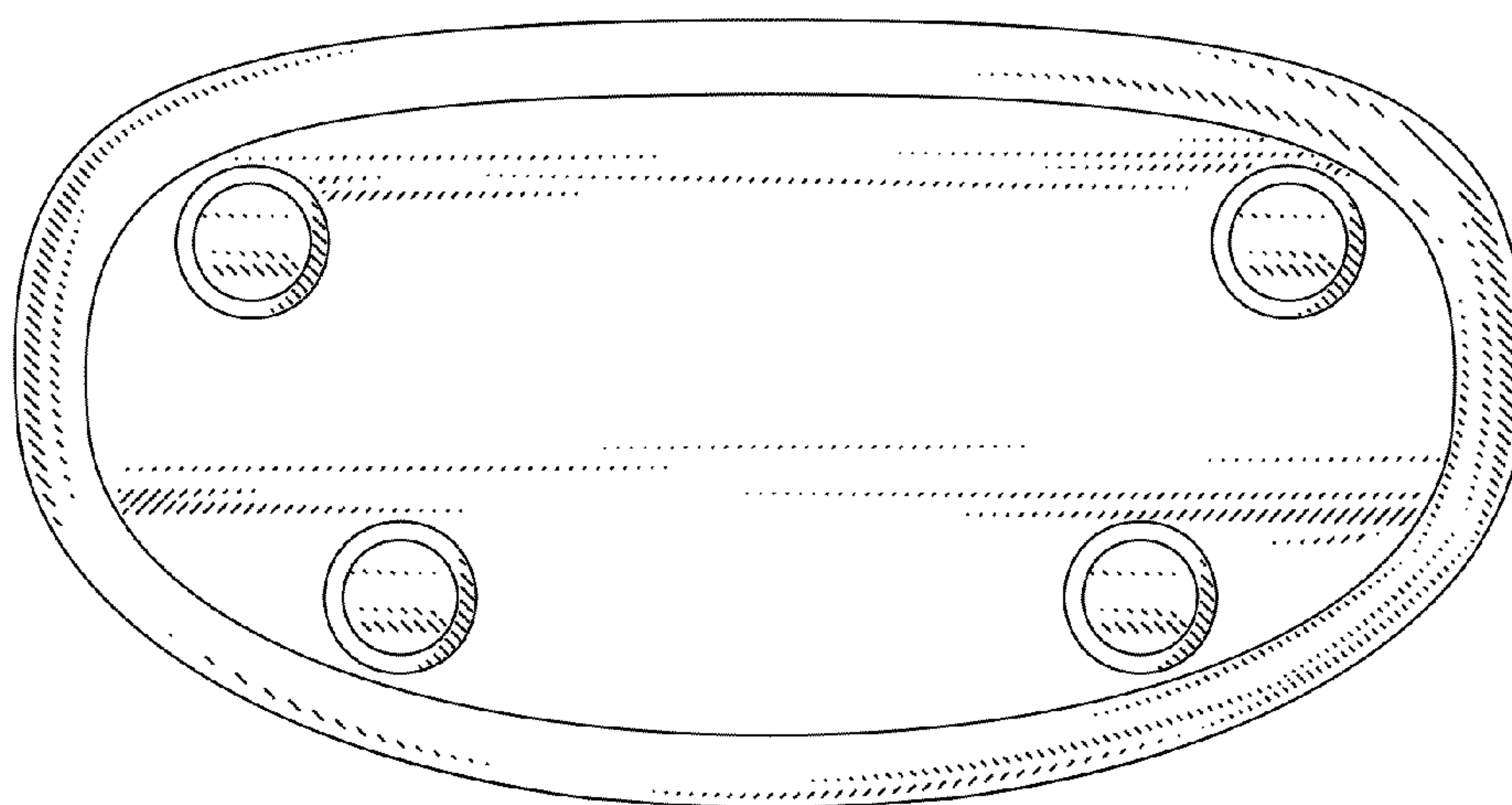


FIG. 7