



US00D756519S

(12) **United States Design Patent**  
**Adams**

(10) **Patent No.:** **US D756,519 S**  
(45) **Date of Patent:** **\*\* May 17, 2016**

- (54) **RESPIRATORY APPARATUS**
- (71) Applicant: **Seeko International Limited**, Bangkok (TH)
- (72) Inventor: **Victor John Adams**, Bangkok (TH)
- (73) Assignee: **Seeko International Limited**, Bangkok (TH)
- (\*\*) Term: **14 Years**
- (21) Appl. No.: **29/502,319**
- (22) Filed: **Sep. 15, 2014**
- (51) **LOC (10) Cl.** ..... **24-00**
- (52) **U.S. Cl.**  
USPC ..... **D24/164**
- (58) **Field of Classification Search**  
USPC ..... D24/164, 110, 169, 186, 216;  
128/204.14, 204.23, 204.21; 436/43  
CPC ... A61M 16/16; A61M 16/00; G01N 35/0092  
See application file for complete search history.

D666,724	S	*	9/2012	Wilhelm	.....	D24/164
D670,393	S	*	11/2012	Nygaardh	.....	D24/169
D671,227	S	*	11/2012	Parker et al.	.....	D24/216
D693,477	S	*	11/2013	Isozaki	.....	D24/216
D694,888	S	*	12/2013	Chung et al.	.....	D24/169
D700,701	S	*	3/2014	Taylor et al.	.....	D24/164
D708,316	S	*	7/2014	Bertinetti et al.	.....	D24/110
D708,733	S	*	7/2014	Ng et al.	.....	D24/110
D710,989	S	*	8/2014	Bertinetti et al.	.....	D24/110
D727,511	S	*	4/2015	Dehmke et al.	.....	D24/164
D728,121	S	*	4/2015	Cook et al.	.....	D24/216
2007/0023045	A1	*	2/2007	Kwok et al.	.....	128/204.23
2007/0193582	A1	*	8/2007	Kwok et al.	.....	128/204.18
2008/0072900	A1	*	3/2008	Kenyon et al.	.....	128/204.18
2010/0307498	A1	*	12/2010	Jones et al.	.....	128/204.21
2011/0269239	A1	*	11/2011	Diessel et al.	.....	436/43

\* cited by examiner

*Primary Examiner* — Holly Baynham  
*Assistant Examiner* — Rhea Shields  
(74) *Attorney, Agent, or Firm* — Hodgson Russ LLP

(57) **CLAIM**  
The ornamental design for a respiratory apparatus, as shown and described.

**DESCRIPTION**

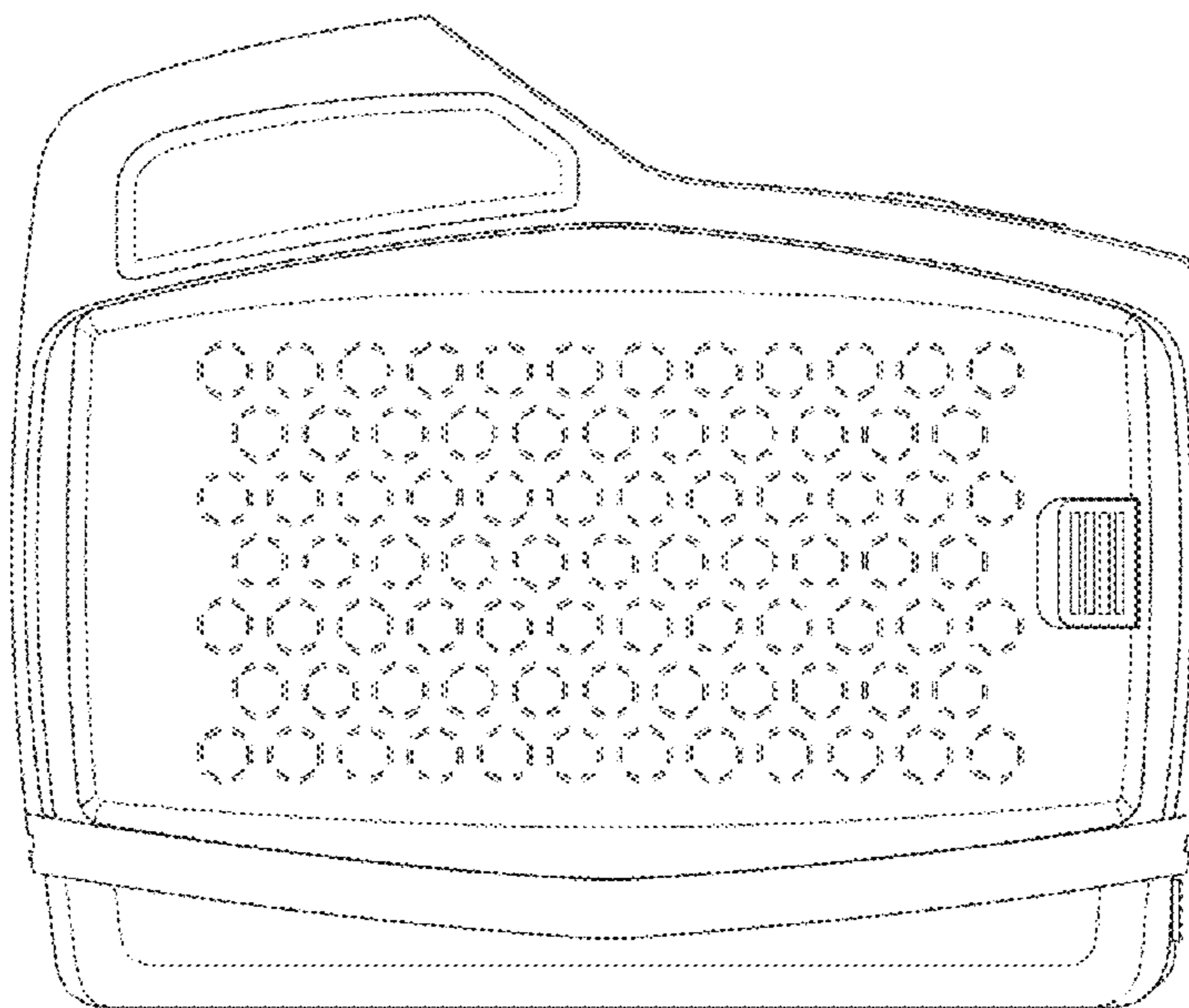
FIG. 1 is a front view of a respiratory apparatus showing my new design;  
FIG. 2 is a rear view thereof;  
FIG. 3 is a right side view thereof;  
FIG. 4 is a left side view thereof;  
FIG. 5 is a top view thereof; and,  
FIG. 6 is a bottom view thereof.  
In the drawings, the broken lines are for the purpose of illustrating environment only and form no part of the claimed design.

**1 Claim, 6 Drawing Sheets**

(56) **References Cited**

**U.S. PATENT DOCUMENTS**

5,673,687	A	*	10/1997	Dobson et al.	.....	128/204.14
D421,298	S	*	2/2000	Kenyon et al.	.....	D24/110
D424,956	S	*	5/2000	von Buelow et al.	.....	D10/81
D504,945	S	*	5/2005	Van Brunt et al.	.....	D24/110
D585,540	S	*	1/2009	Lithgow et al.	.....	D24/110
D606,655	S	*	12/2009	Wilkinson et al.	.....	D24/164
D614,286	S	*	4/2010	Lithgow et al.	.....	D24/110
D616,100	S	*	5/2010	Moscovita et al.	.....	D24/169
D632,397	S	*	2/2011	Edwards et al.	.....	D24/186
D647,209	S	*	10/2011	Muller et al.	.....	D24/216
D652,522	S	*	1/2012	Koester	.....	D24/186
D658,755	S	*	5/2012	Lithgow	.....	D24/110



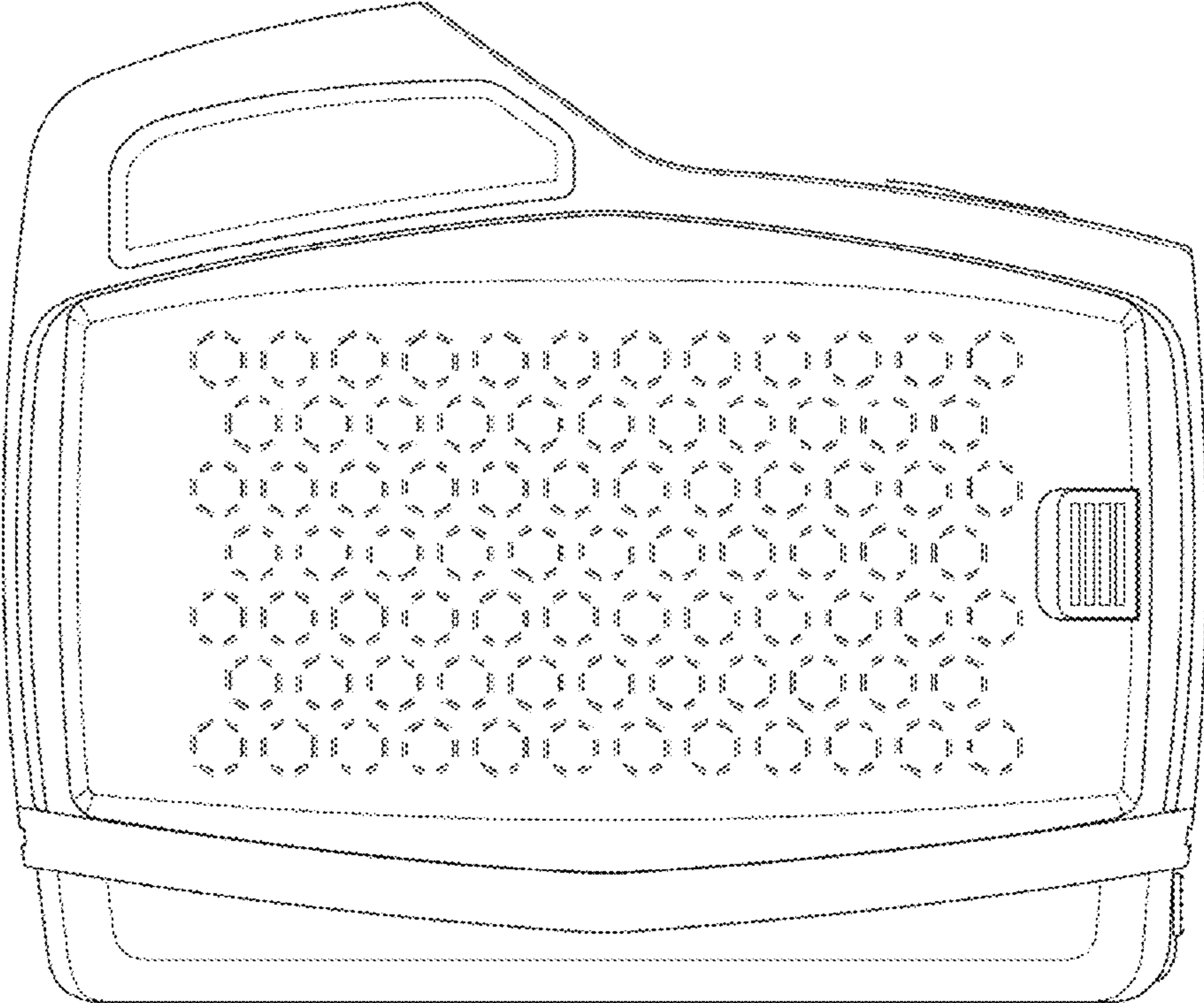


FIG. 1

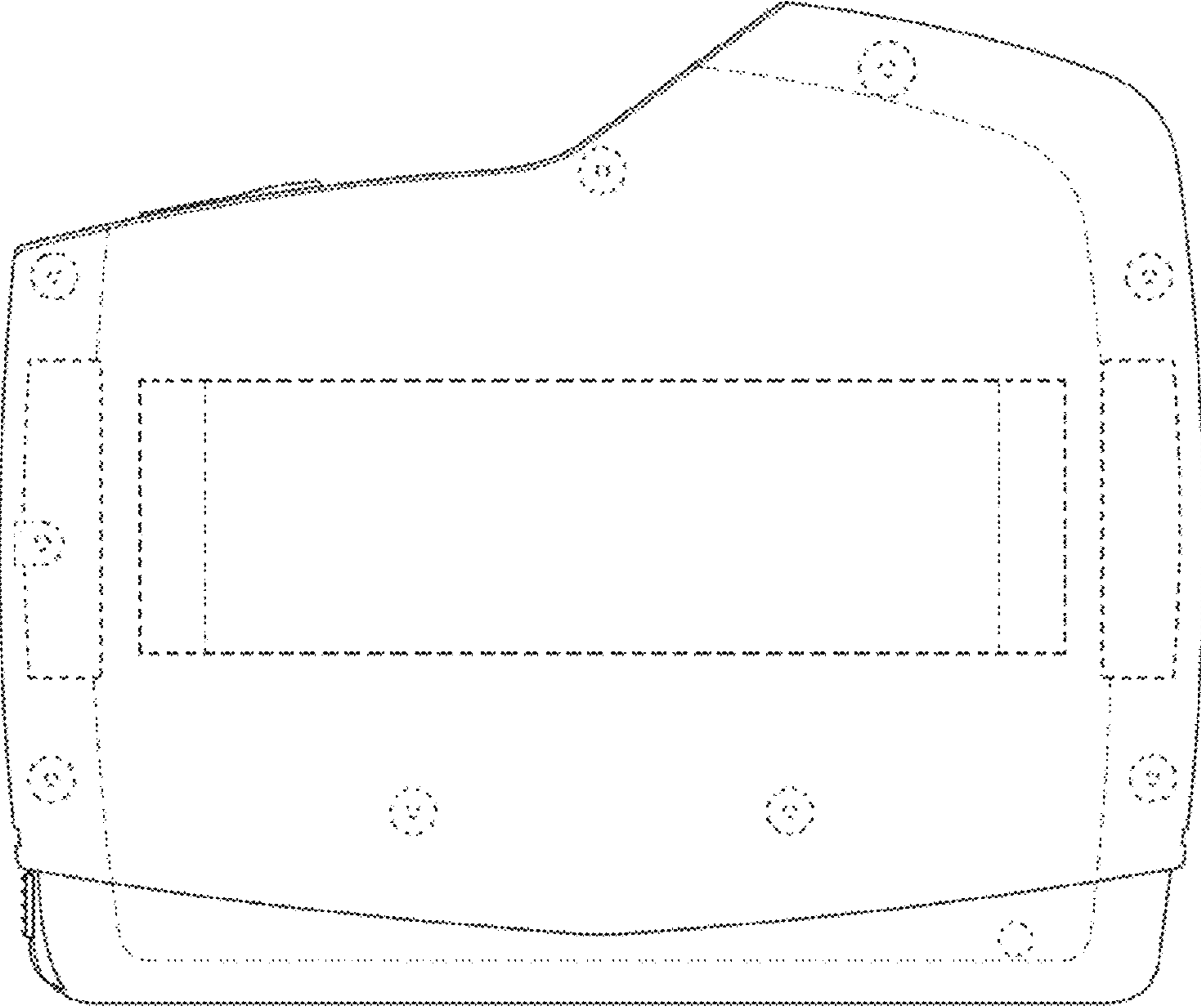


FIG. 2

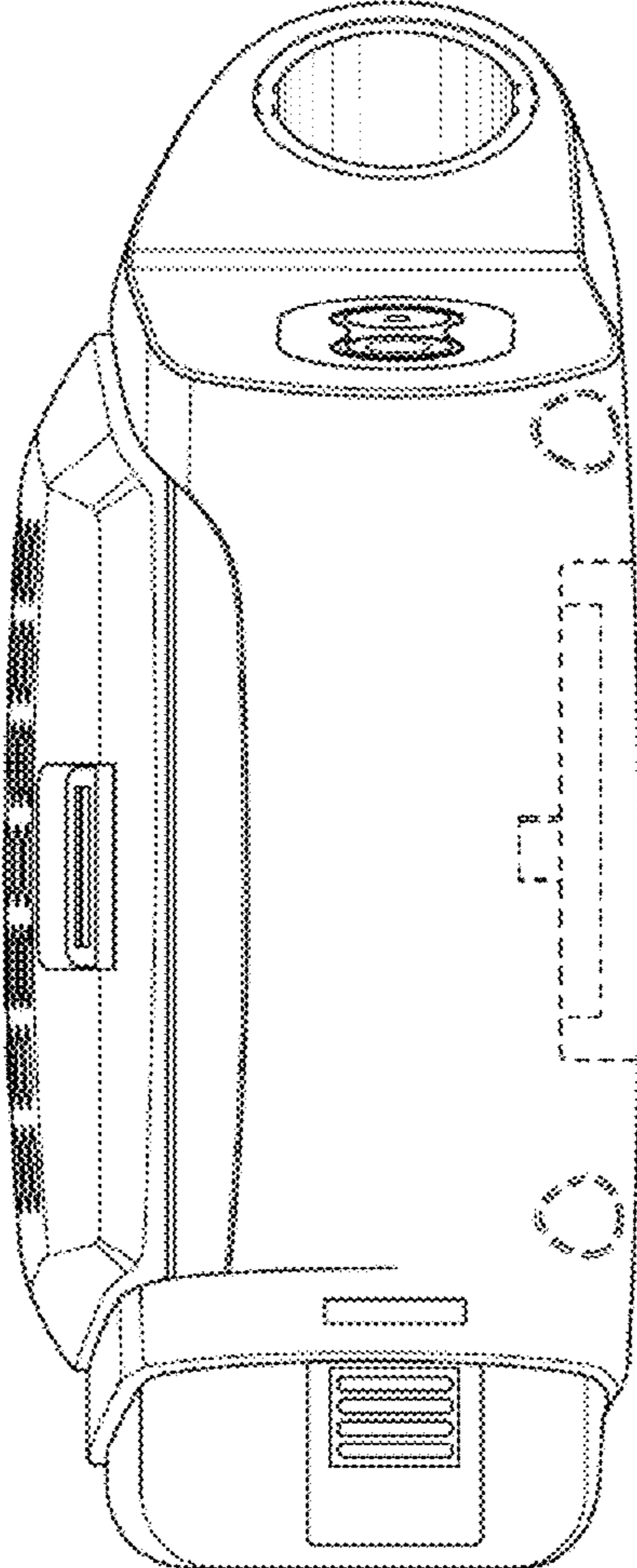


FIG. 3

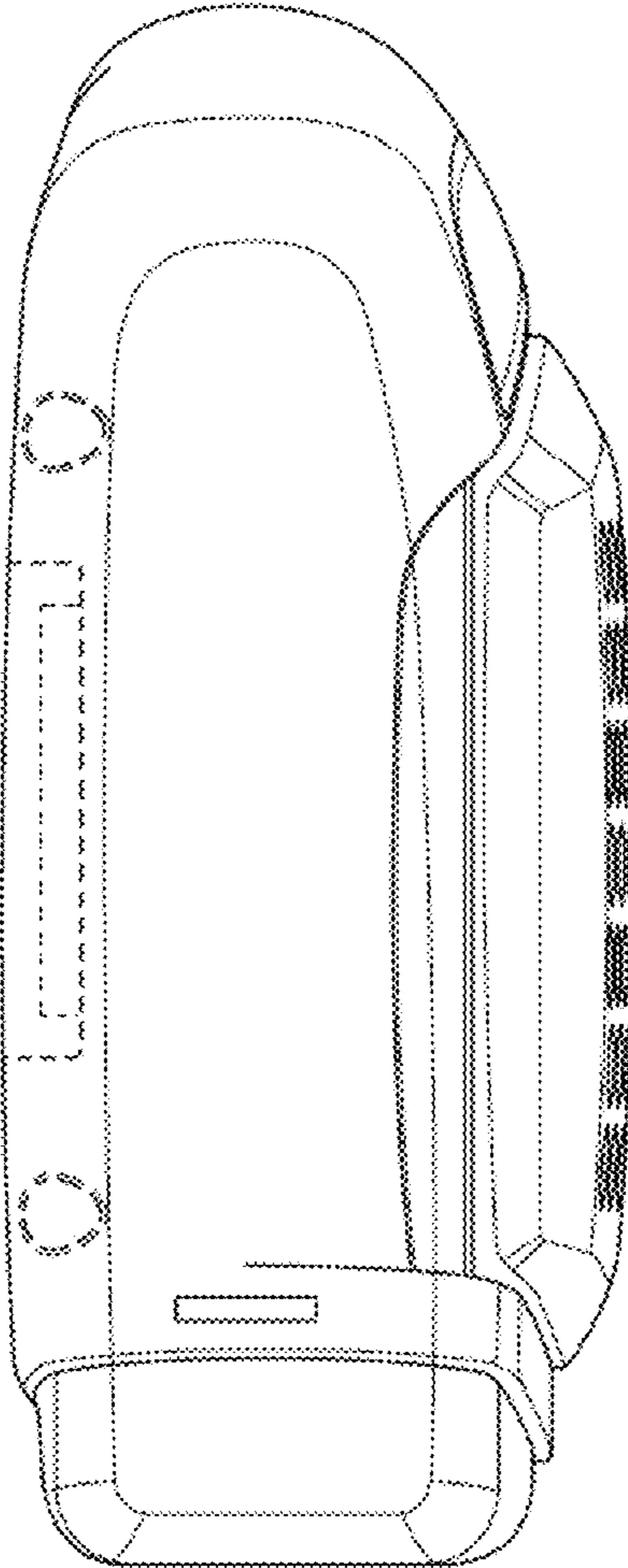


FIG. 4

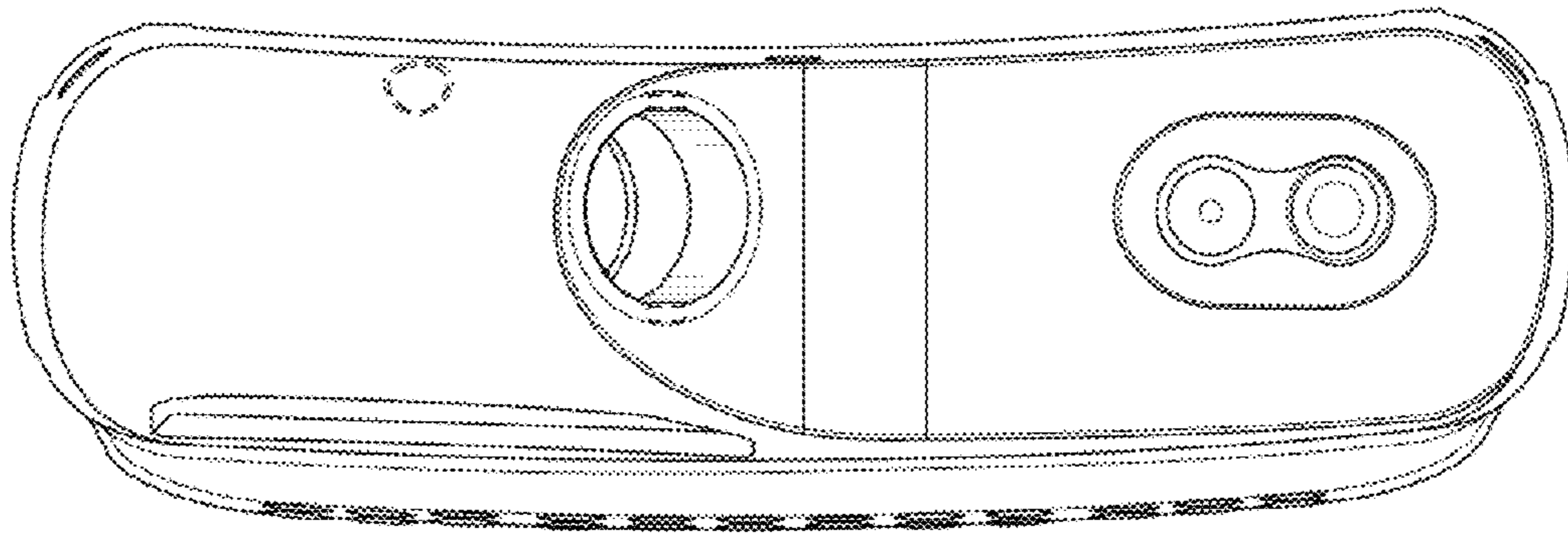


FIG. 5

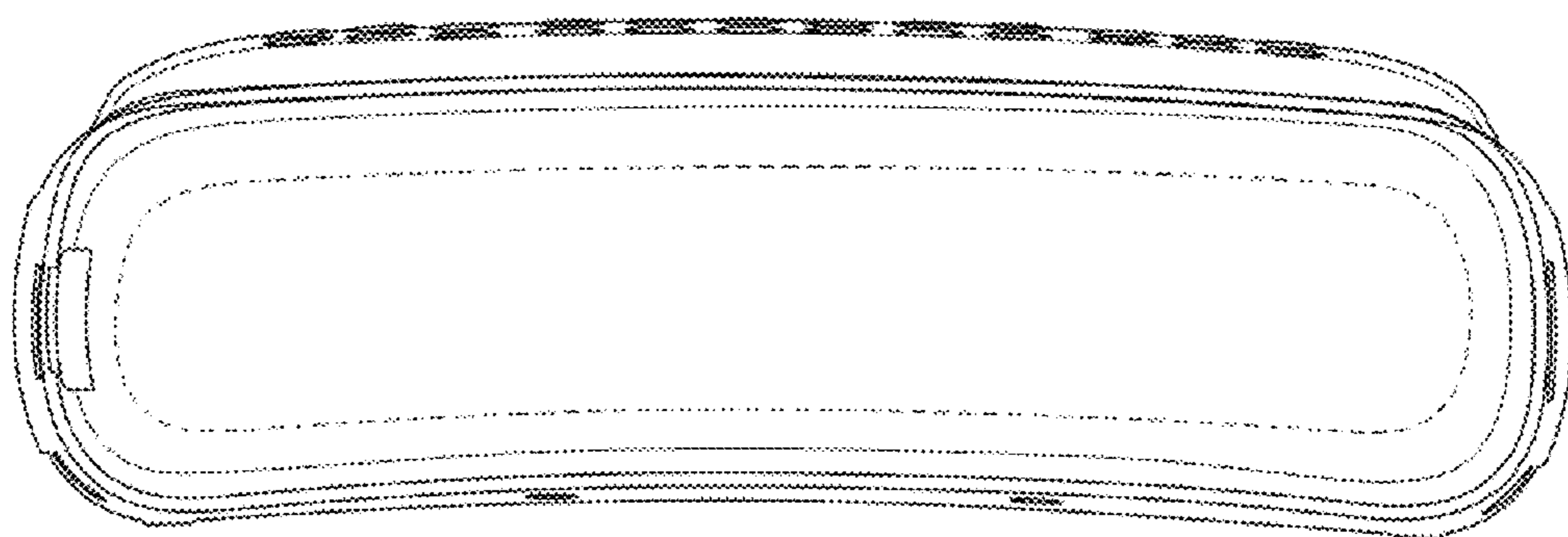


FIG. 6