

US00D756513S

(12) **United States Design Patent**
Cheney

(10) **Patent No.:** **US D756,513 S**
(45) **Date of Patent:** **** May 17, 2016**

(54) **ORTHOPEdic IMPLANT INSERTION DEVICE**

8,834,483 B2 9/2014 Cheney et al.
D720,072 S 12/2014 Cheney et al.
D723,688 S * 3/2015 Knight D24/145
2004/0230193 A1 11/2004 Cheung et al.
2005/0055027 A1 3/2005 Yeung et al.
2005/0283159 A1 12/2005 Amara

(71) Applicant: **BioMedical Enterprises, Inc.**, San Antonio, TX (US)

(72) Inventor: **Daniel F. Cheney**, San Antonio, TX (US)

(73) Assignee: **BioMedical Enterprises, Inc.**, San Antonio, TX (US)

(**) Term: **14 Years**

(21) Appl. No.: **29/509,097**

(22) Filed: **Nov. 13, 2014**

(51) **LOC (10) Cl.** **24-02**

(52) **U.S. Cl.**
USPC **D24/133**

(58) **Field of Classification Search**
USPC D24/133, 155, 156; 623/17.11, 17.12, 623/17.15, 17.16, 18.11, 20.21, 21.13; 606/62, 63, 86 R, 86 B, 90, 99, 300
CPC ... A61B 17/8872; A61B 17/844; A61B 17/68
See application file for complete search history.

(56) **References Cited**

U.S. PATENT DOCUMENTS

1,106,241 A 8/1914 Richardson
2,544,492 A 3/1947 Downing
4,438,769 A 3/1984 Pratt et al.
D388,171 S * 12/1997 Fekete D24/133
7,052,498 B2 5/2006 Levy et al.
7,111,768 B2 * 9/2006 Cummins A61B 17/0644
227/175.1
8,137,351 B2 3/2012 Prandi
8,162,942 B2 4/2012 Coati et al.
8,262,712 B2 9/2012 Coilard-Lavirotte et al.
D675,734 S * 2/2013 Cheney D24/145
D676,962 S * 2/2013 Cheney D24/145
8,394,097 B2 3/2013 Peyrot et al.
8,475,456 B2 7/2013 Augoyard et al.
8,596,514 B2 * 12/2013 Miller A61B 17/0642
128/898

FOREIGN PATENT DOCUMENTS

EP 0857462 A1 8/1998
EP 1870042 A1 12/2007

OTHER PUBLICATIONS

BME Sales Brochure covering Nitinol Intramedullary Fixation System introduced Mar. 4, 2010.

* cited by examiner

Primary Examiner — Wan Laymon
Assistant Examiner — Mark Booker

(74) *Attorney, Agent, or Firm* — Christopher L. Makay

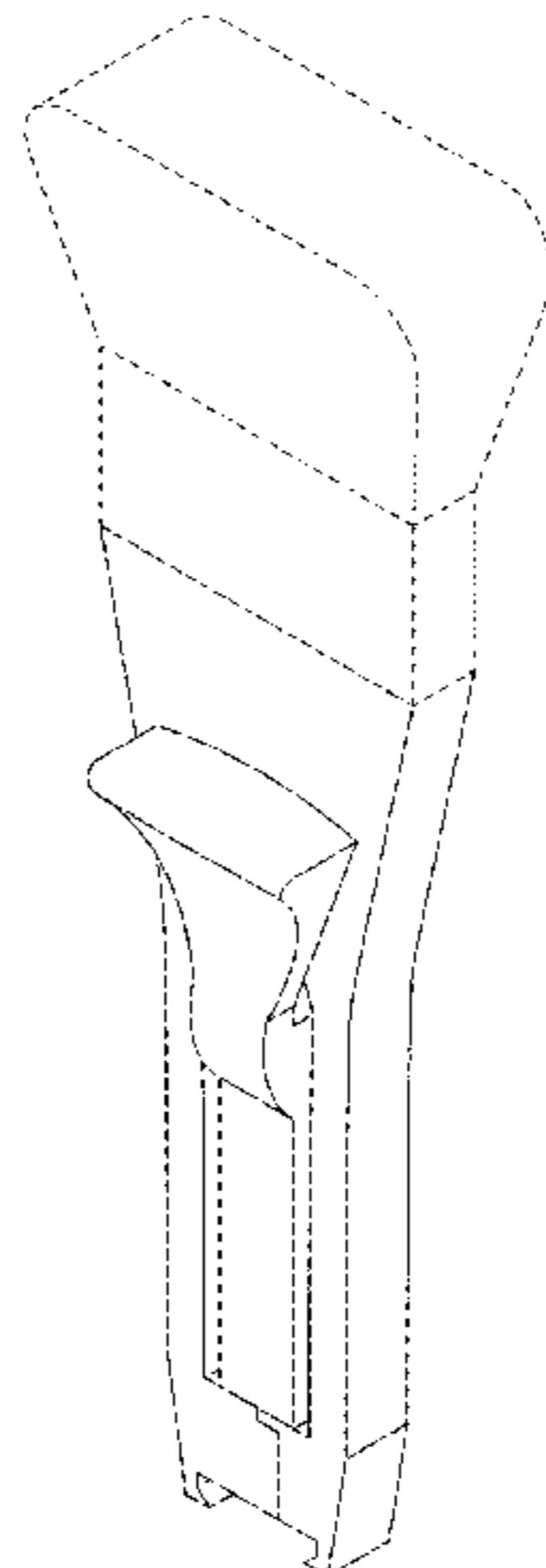
(57) **CLAIM**

The ornamental design for an orthopedic implant insertion device, as shown and described.

DESCRIPTION

FIG. 1 is a perspective view of the orthopedic implant insertion device;
FIG. 2 is a front view thereof;
FIG. 3 is a rear view thereof;
FIG. 4 is a left side view thereof;
FIG. 5 is a right side view thereof;
FIG. 6 is a top view thereof;
FIG. 7 is a bottom view thereof; and,
FIG. 8 is a perspective view thereof illustrating the orthopedic implant insertion device engaging an orthopedic implant retaining device and orthopedic implant.
The broken lines shown in FIGS. 1-8 represent portions of the orthopedic implant insertion device and an orthopedic implant retaining device and orthopedic implant that forms no part of the claimed design.

1 Claim, 7 Drawing Sheets



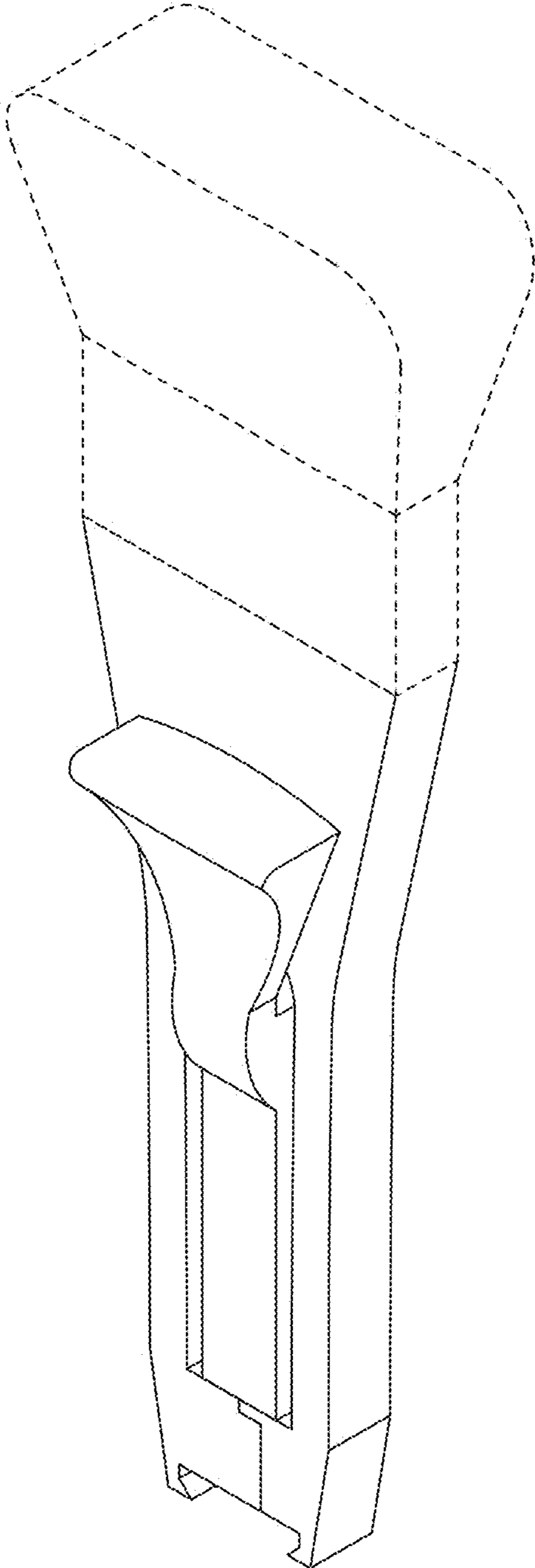


FIG 1

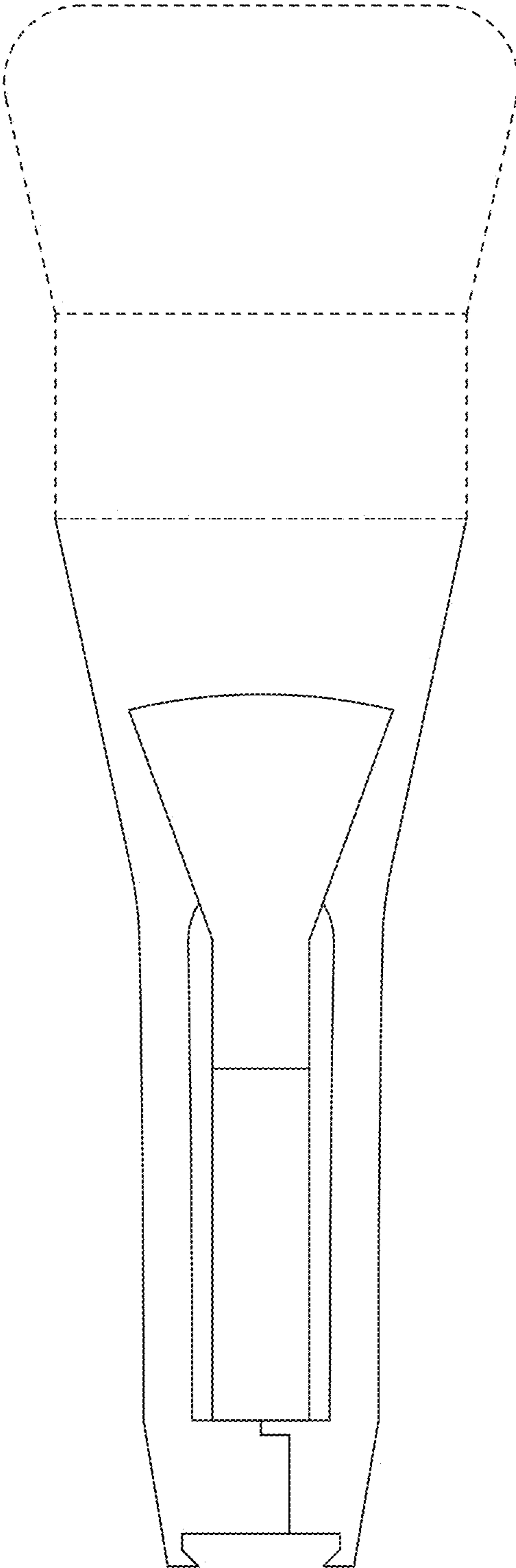


FIG 2

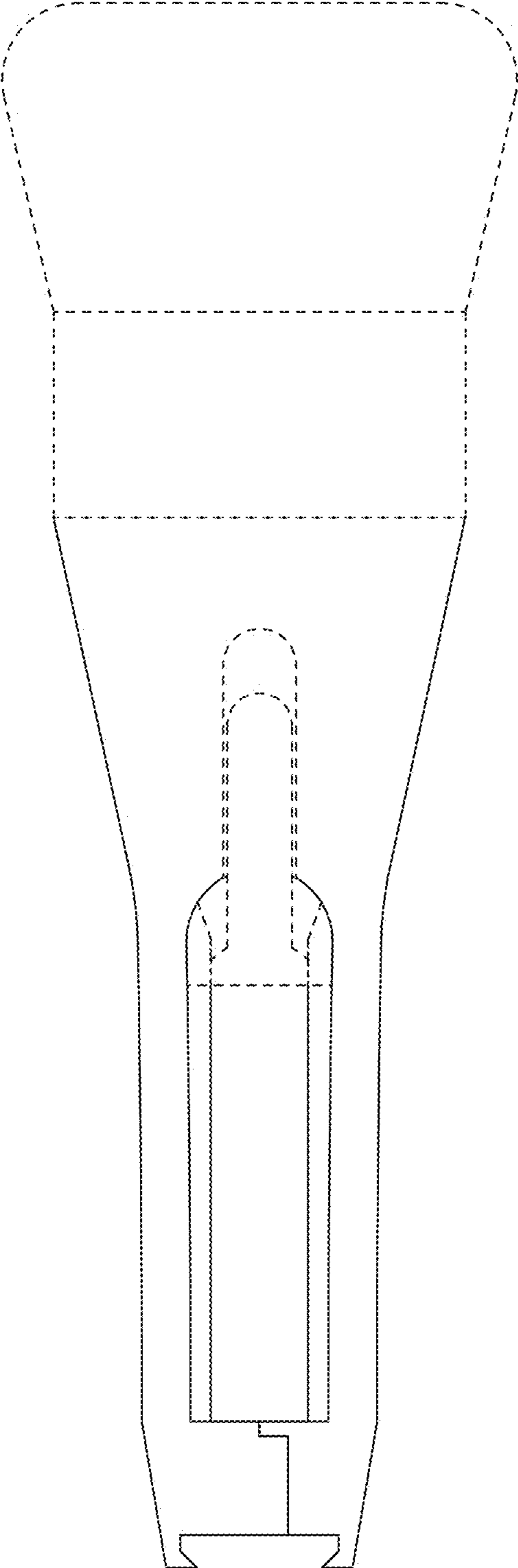


FIG 3

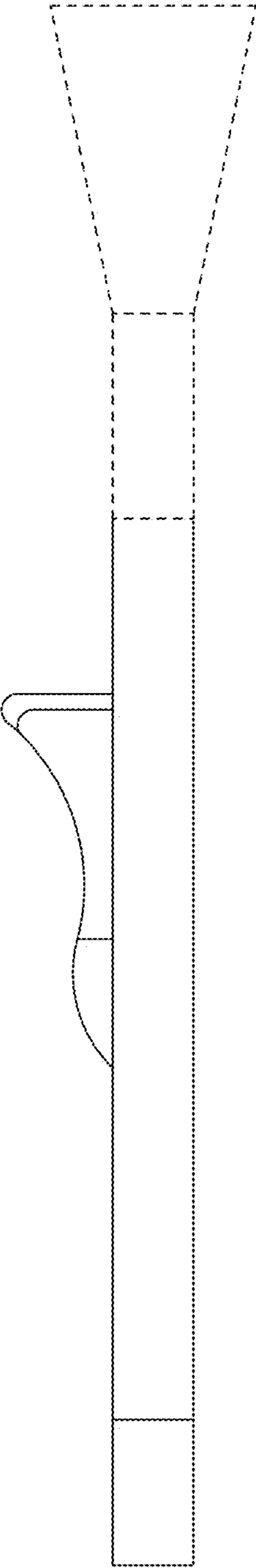


FIG 4

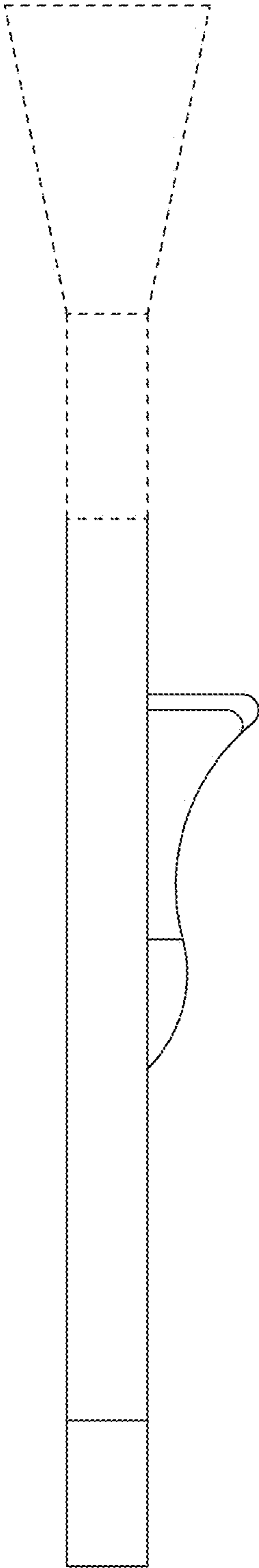


FIG 5

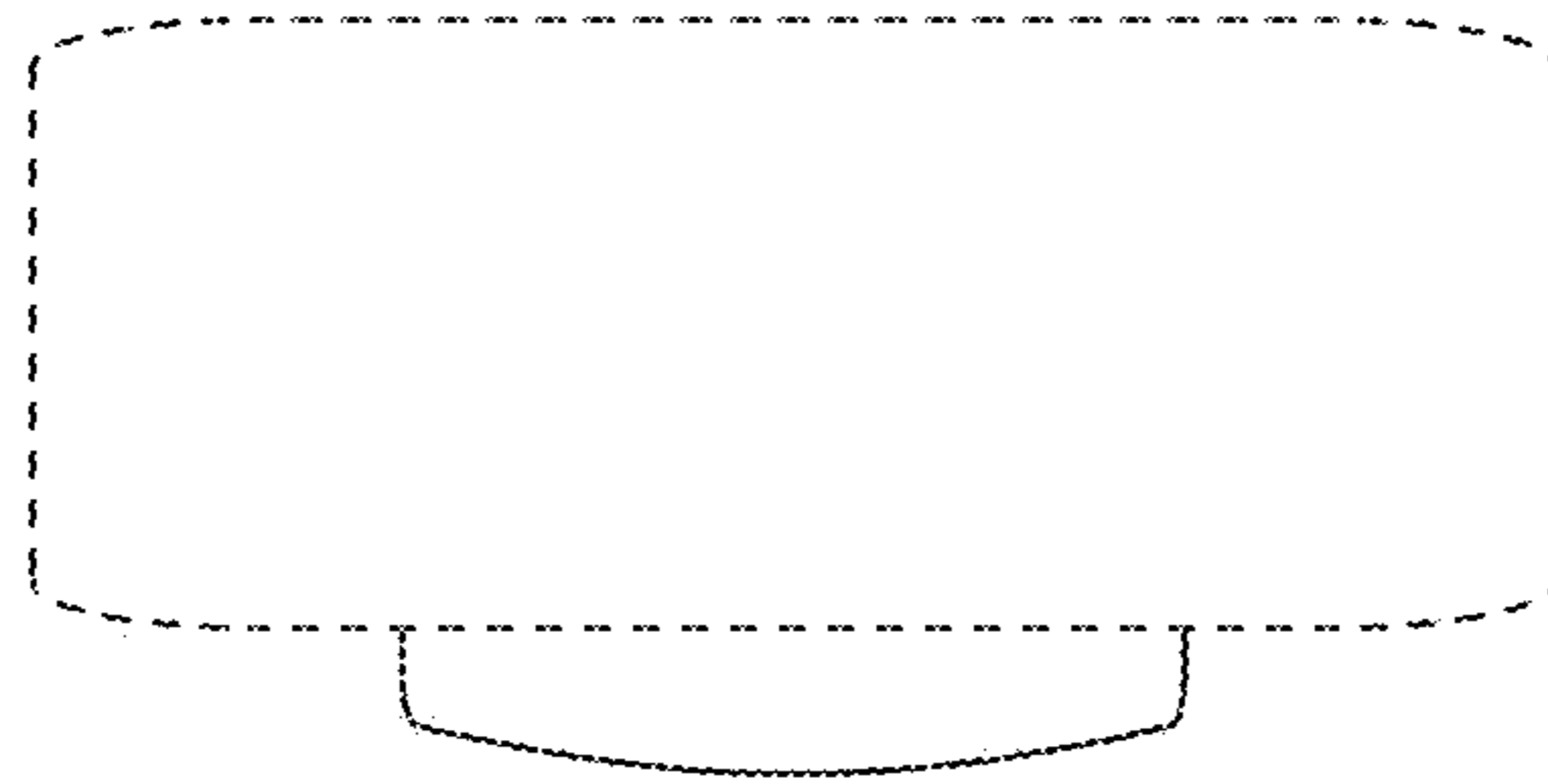


FIG 6

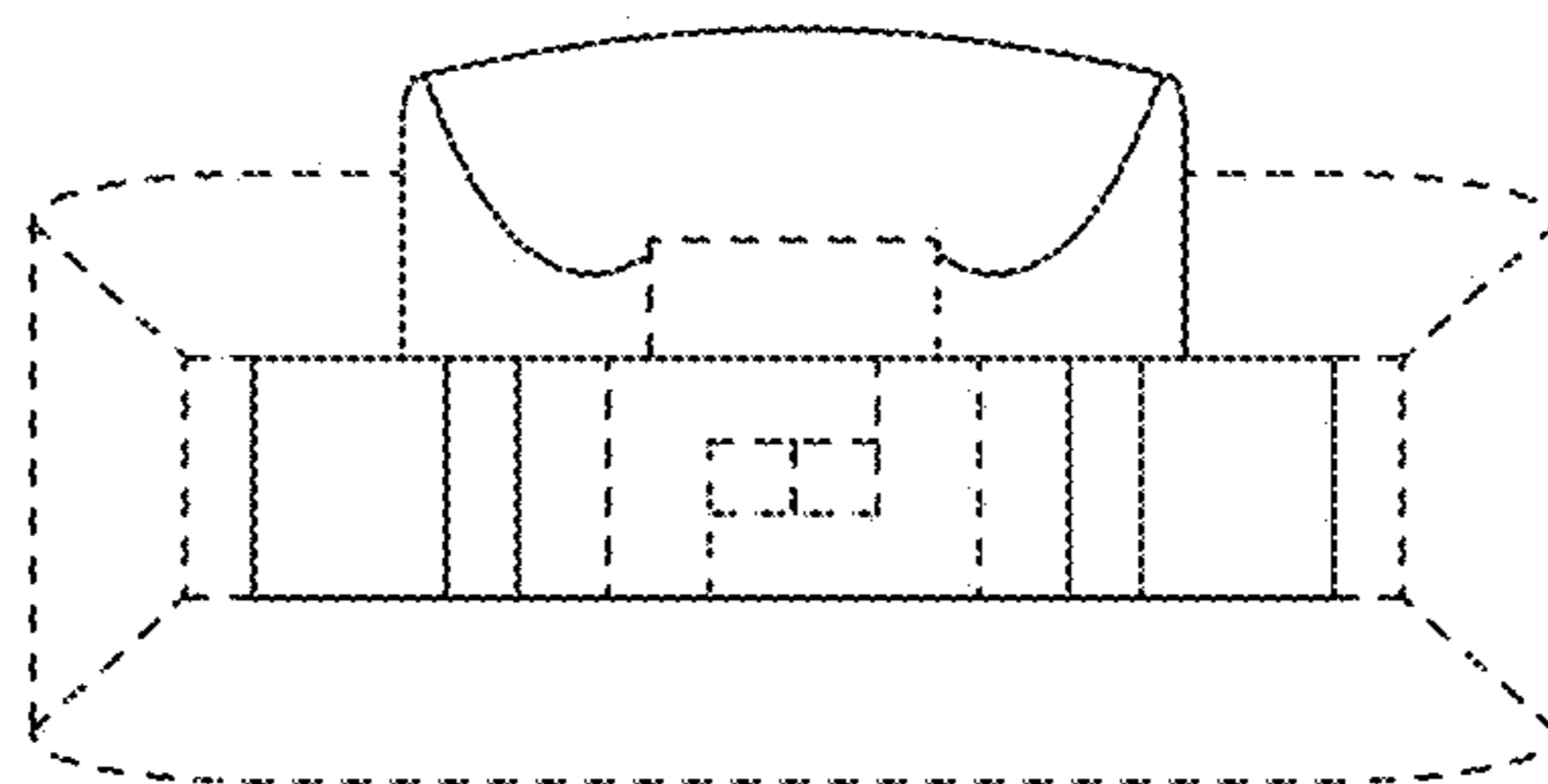


FIG 7

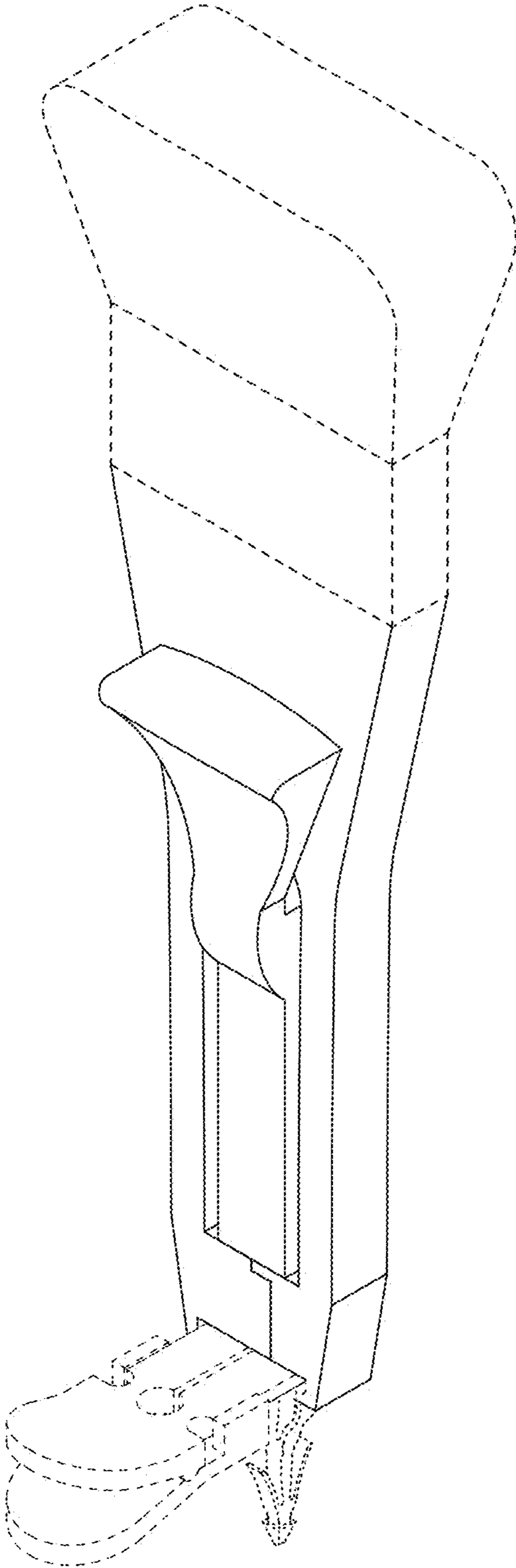


FIG 8