



US00D756503S

(12) **United States Design Patent**  
**Wang**

(10) **Patent No.:** **US D756,503 S**

(45) **Date of Patent:** **\*\* May 17, 2016**

(54) **CEILING FAN MOTOR HOUSING WITH LIGHT BASE**

(71) Applicant: **YOUNGO LIMITED**, Hong Kong (CN)

(72) Inventor: **Cliff Wang**, Taichung (TW)

(73) Assignee: **YOUNGO LIMITED**, Hong Kong (CN)

(\*\*) Term: **14 Years**

(21) Appl. No.: **29/512,705**

(22) Filed: **Dec. 22, 2014**

(51) **LOC (10) Cl.** ..... **23-04**

(52) **U.S. Cl.**  
USPC ..... **D23/411**; D26/59

(58) **Field of Classification Search**  
USPC ..... D23/377, 370-376, 378-394, 411-414, D23/499; 416/5, 62, 170 R, 214 R, 184, 206, 416/207, 210 R, 220 R, 241 R, 244 R, 248, 416/223 R, 232, 234, 242; 417/423.1; 392/361, 364; D26/51, 59, 72, 83, 92  
CPC ..... F04D 25/088; F04D 29/00; F04D 29/005; F04D 29/34; F04D 29/40; F21V 33/00; F21V 33/0088; F21V 33/0096  
See application file for complete search history.

(56) **References Cited**

**U.S. PATENT DOCUMENTS**

D57,418 S *	3/1921	Adam	.....	D26/89
D454,633 S *	3/2002	Young	.....	D23/411
D457,235 S *	5/2002	Hidalgo	.....	D23/379
D475,782 S *	6/2003	Hidalgo	.....	D23/411
D478,974 S *	8/2003	Hidalgo	.....	D23/377
D488,555 S *	4/2004	Huang	.....	D23/411
D519,628 S *	4/2006	Young	.....	D23/411
D525,699 S *	7/2006	Davenport	.....	D23/377
D535,014 S *	1/2007	Pickett	.....	D23/411
D536,438 S *	2/2007	Curtin	.....	D23/411
D598,999 S *	8/2009	Hidalgo	.....	D23/377

D599,001 S *	8/2009	Flores	.....	D23/411
D618,787 S *	6/2010	Hidalgo	.....	D23/411
D627,051 S *	11/2010	Pan	.....	D23/411
D627,874 S *	11/2010	Pan	.....	D23/411
D628,688 S *	12/2010	Pan	.....	D23/377

(Continued)

**OTHER PUBLICATIONS**

Minka-Aire F594-WH Traditional Concept. amazon.com [online] 2 pages. reviewed on May 28, 2011 by Michael Paul Sebek [retrieved on Mar. 2, 2016]. Retrieved <http://www.amazon.com/Minka-Aire-F594-WH-Minka-Aire-Ceiling/dp/B004T43QGI>.\*

(Continued)

*Primary Examiner* — Susan Bennett Hattan

*Assistant Examiner* — Marie Fast Horse

(74) *Attorney, Agent, or Firm* — Ming Chow; Sinorica, LLC

(57) **CLAIM**

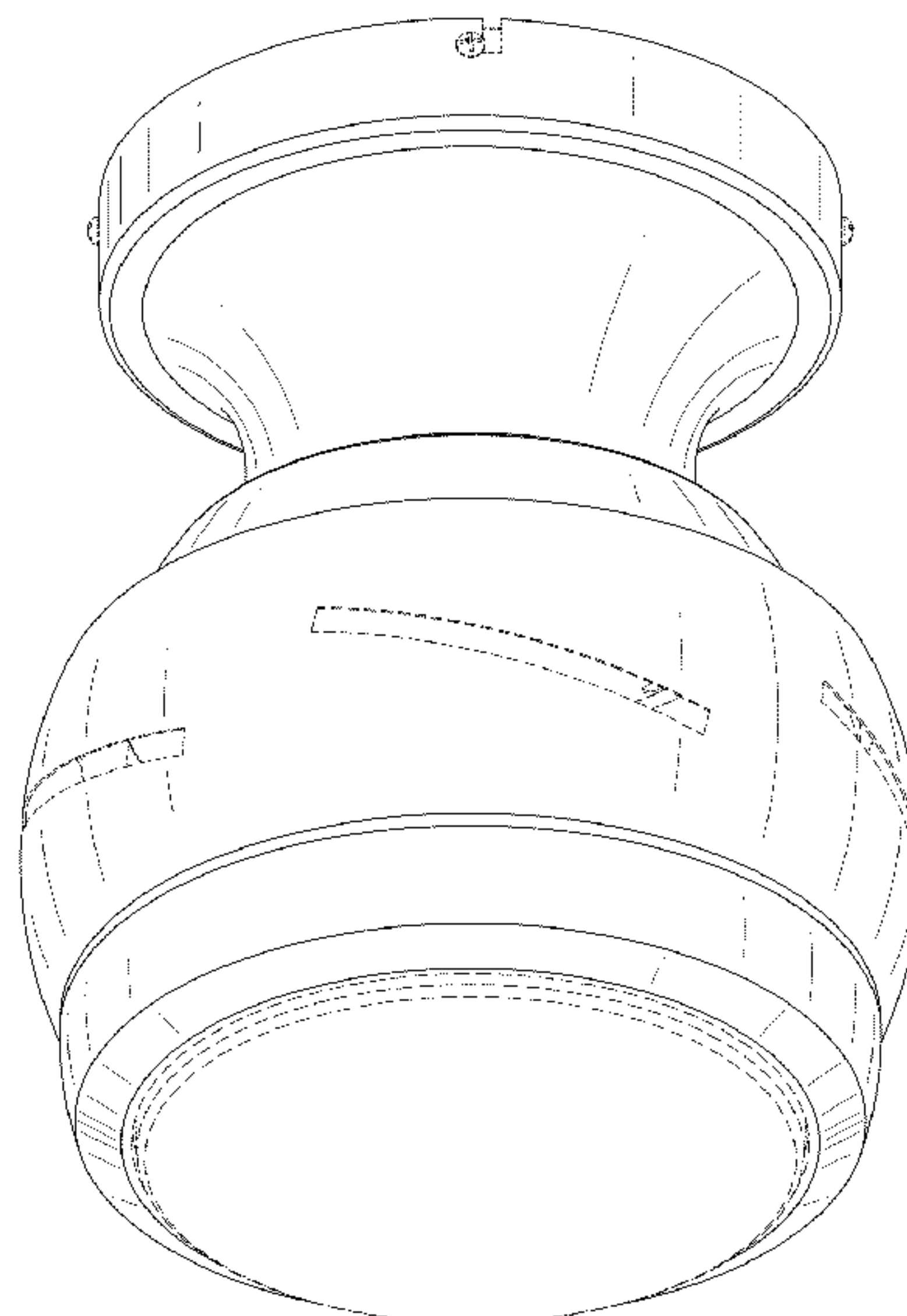
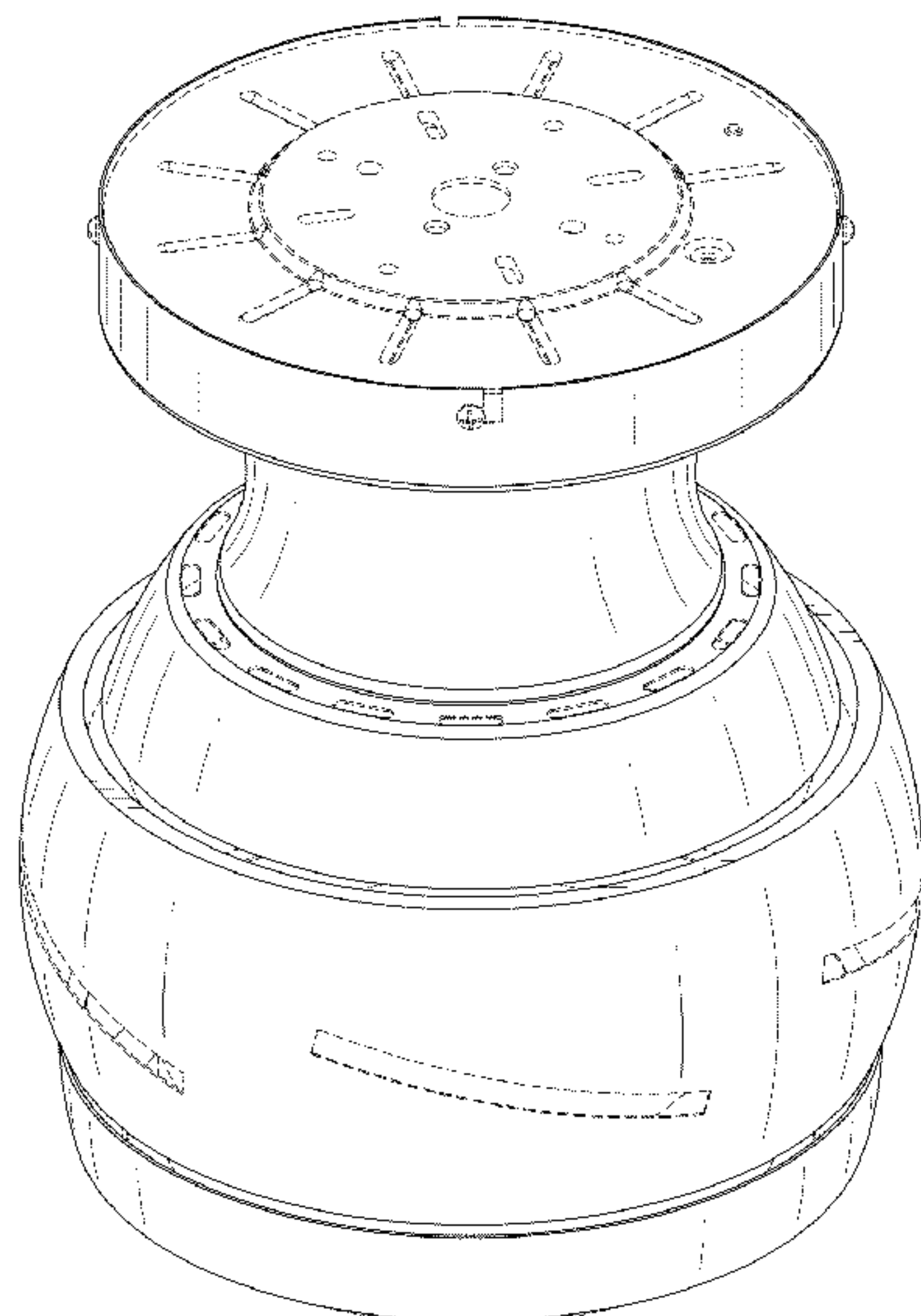
I claim the ornamental design for a ceiling fan motor housing with light base, as shown and described.

**DESCRIPTION**

FIG. 1 is a front perspective view of a ceiling fan motor housing with light base showing my new design; FIG. 2 is a front elevational view thereof; FIG. 3 is a rear elevational view thereof; FIG. 4 is a left side elevational view thereof; FIG. 5 is a right side elevational view thereof; FIG. 6 is a top plan view thereof; FIG. 7 is a bottom plan view thereof; and, FIG. 8 is another front perspective view.

The broken lines showing the screws and the light globe depict environmental structure only and form no part of the claim; the remaining broken lines in the drawings depict parts of the ceiling fan motor housing with light base that form no part of the claim.

**1 Claim, 8 Drawing Sheets**



(56)

References Cited

OTHER PUBLICATIONS

U.S. PATENT DOCUMENTS

D632,381 S \* 2/2011 Davenport ..... D23/377  
D663,455 S \* 7/2012 Glasbrenner ..... D26/59  
D704,819 S \* 5/2014 Wang ..... D23/411  
D706,406 S \* 6/2014 Wang ..... D23/385  
D706,410 S \* 6/2014 Pan ..... D23/411  
D743,527 S \* 11/2015 Wang ..... D23/411  
D744,633 S \* 12/2015 Wang ..... D23/411  
2003/0219340 A1 \* 11/2003 Hidalgo ..... F04D 29/34  
416/206  
2010/0314941 A1 \* 12/2010 Schulzman ..... F04D 25/068  
307/40

Spacesaver Ceiling Flush Mount Fan with Light by Minka Aire.  
lightology.com. [online] 2 pages. Available as early as Jun. 19, 2014  
based on review [retrieved on Mar. 2, 2016]. Retrieved from Internet:  
[http://www.lightology.com/index.php?module=prod\\_detail\[\]\\_id=61864&option\\_id=350975&utm\\_source=msn&utm\\_medium=feed&utm\\_content=F510-ORB#rating.\\*](http://www.lightology.com/index.php?module=prod_detail[]_id=61864&option_id=350975&utm_source=msn&utm_medium=feed&utm_content=F510-ORB#rating.*)

\* cited by examiner

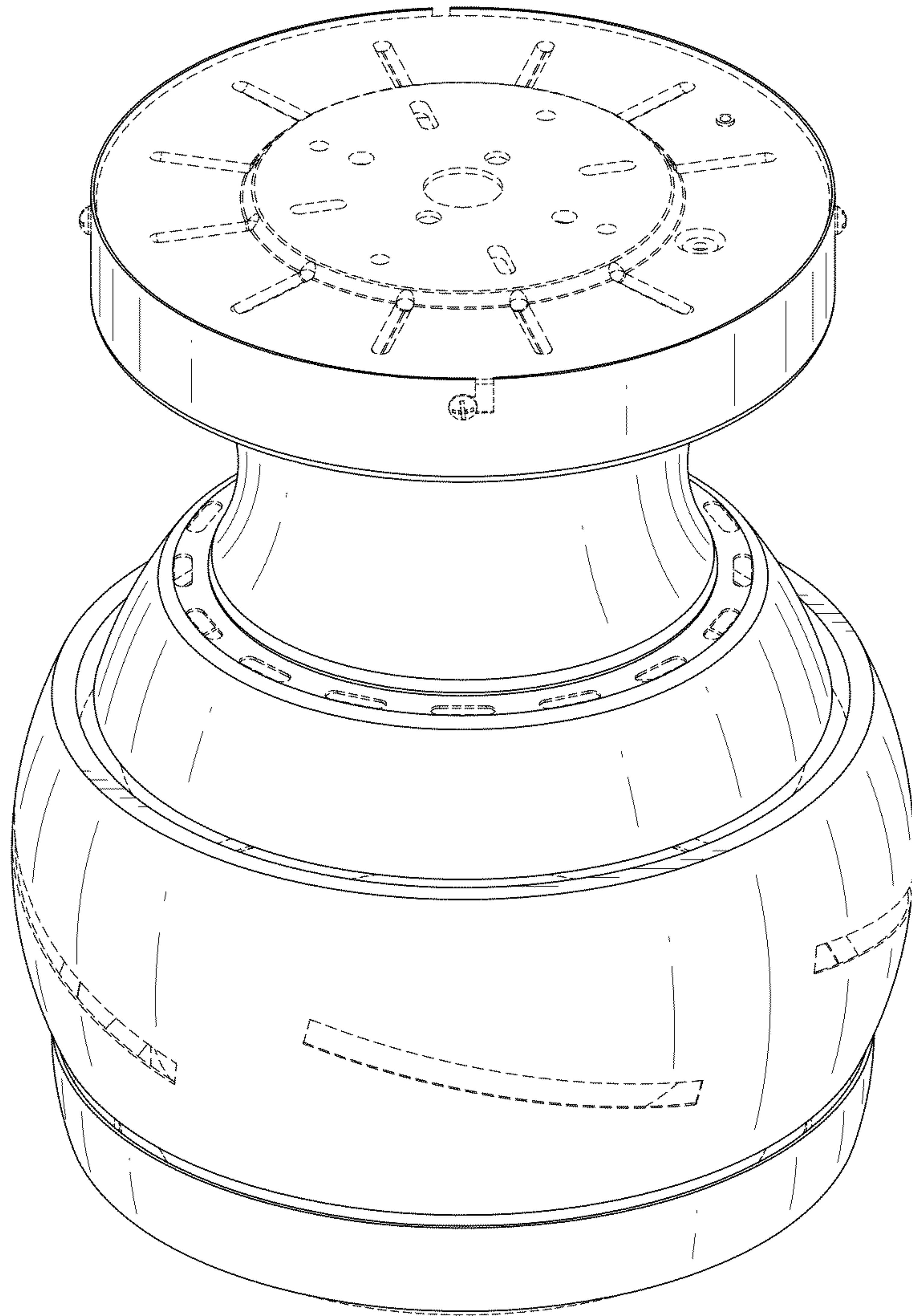


FIG. 1

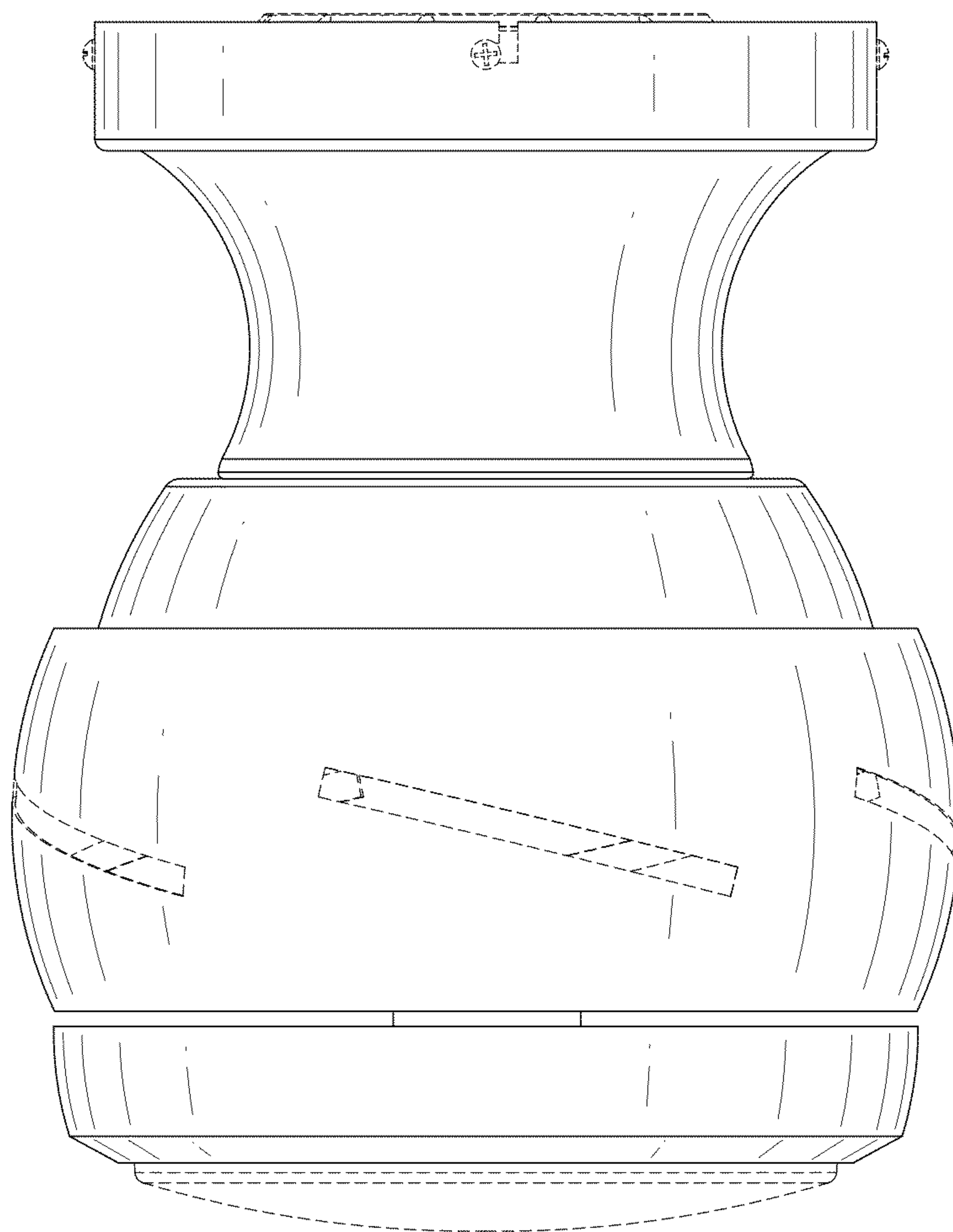


FIG. 2

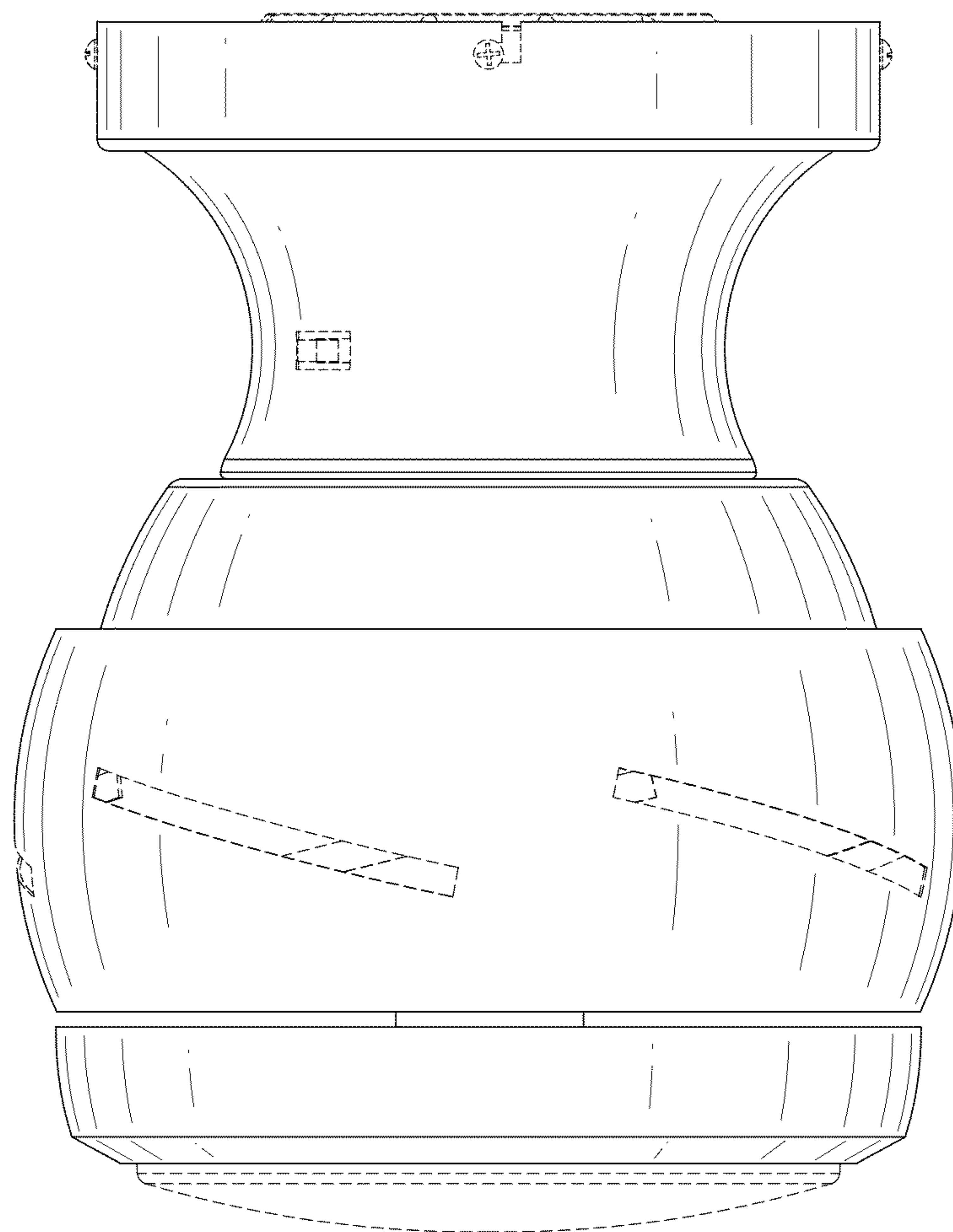


FIG. 3



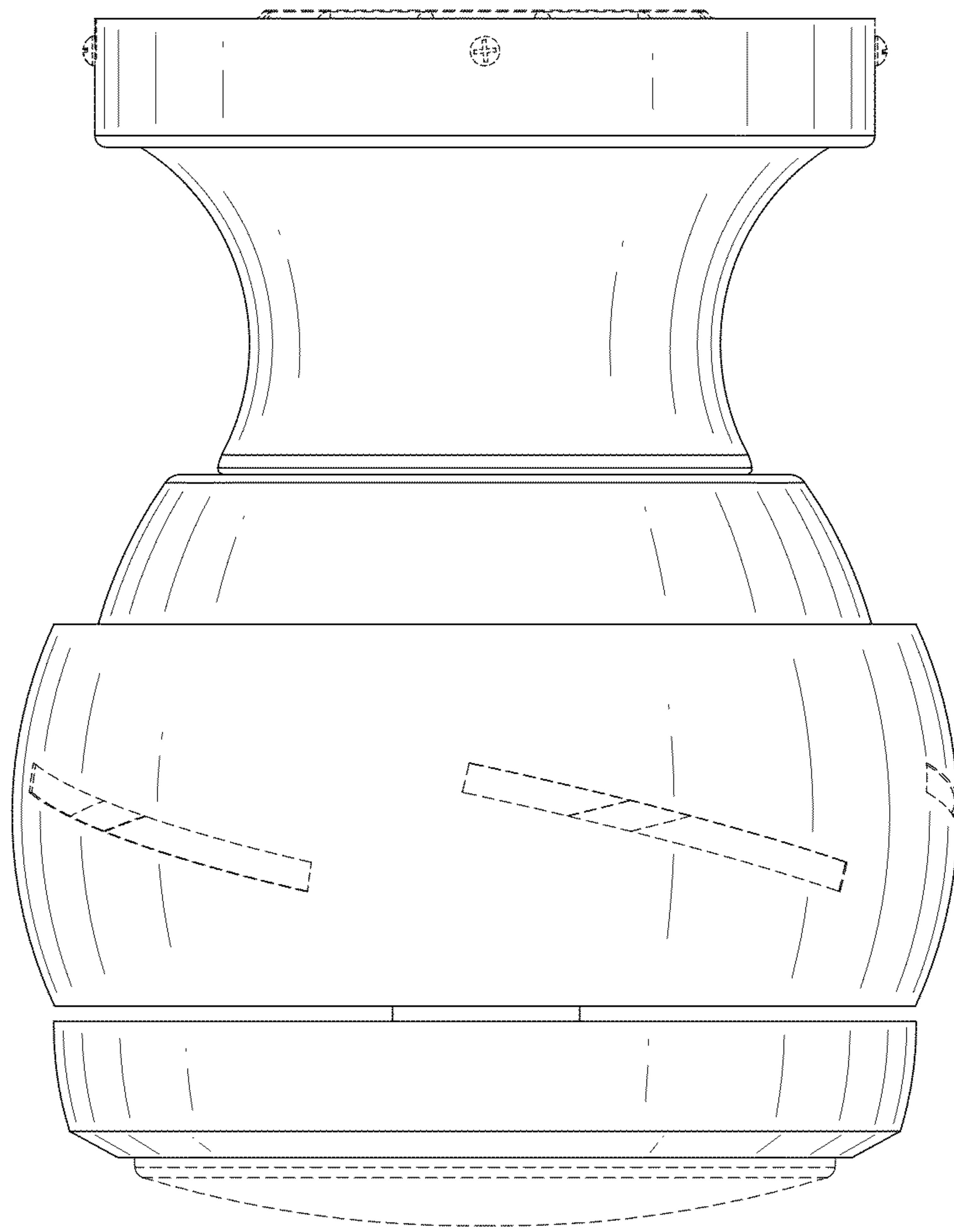


FIG. 4

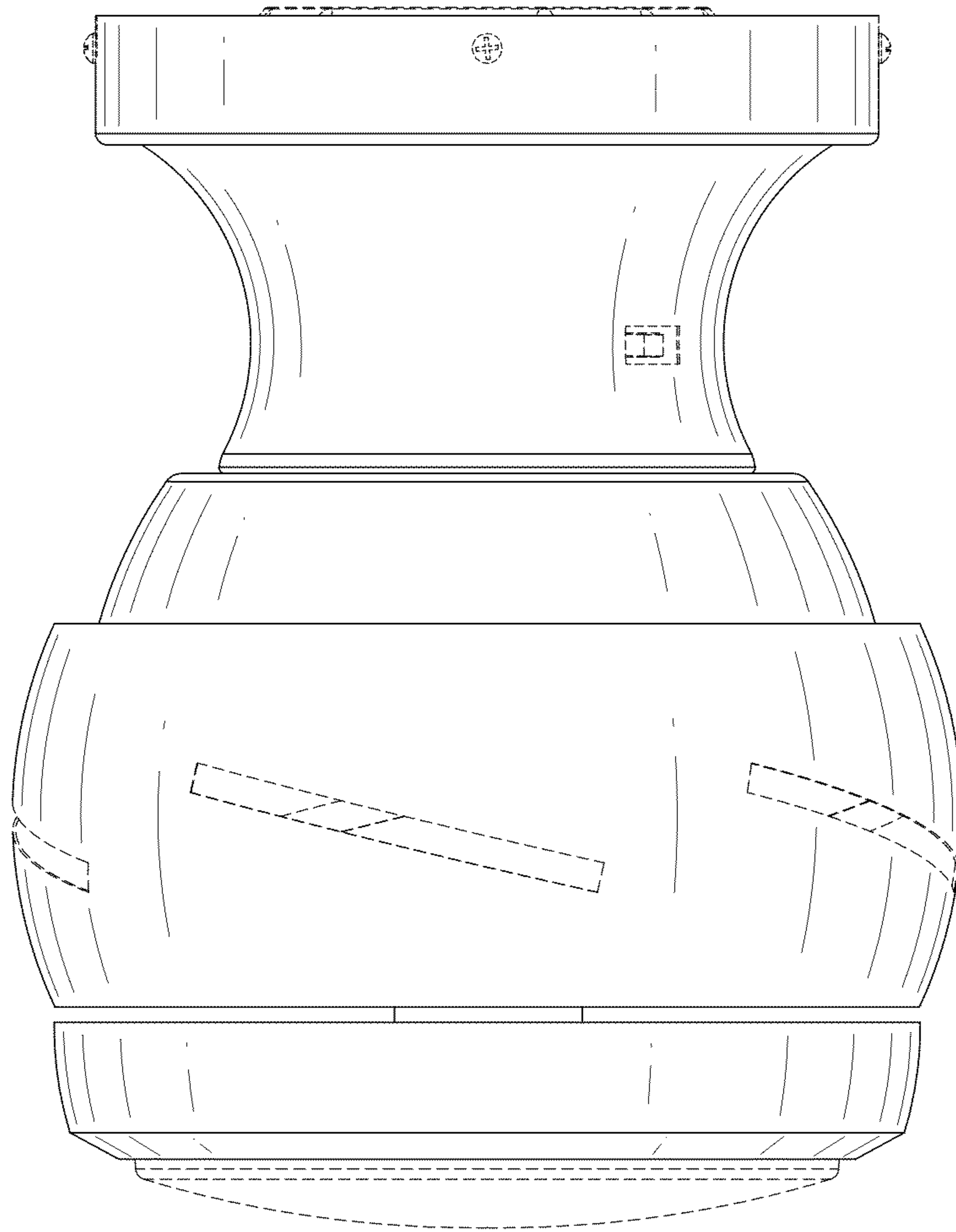


FIG. 5

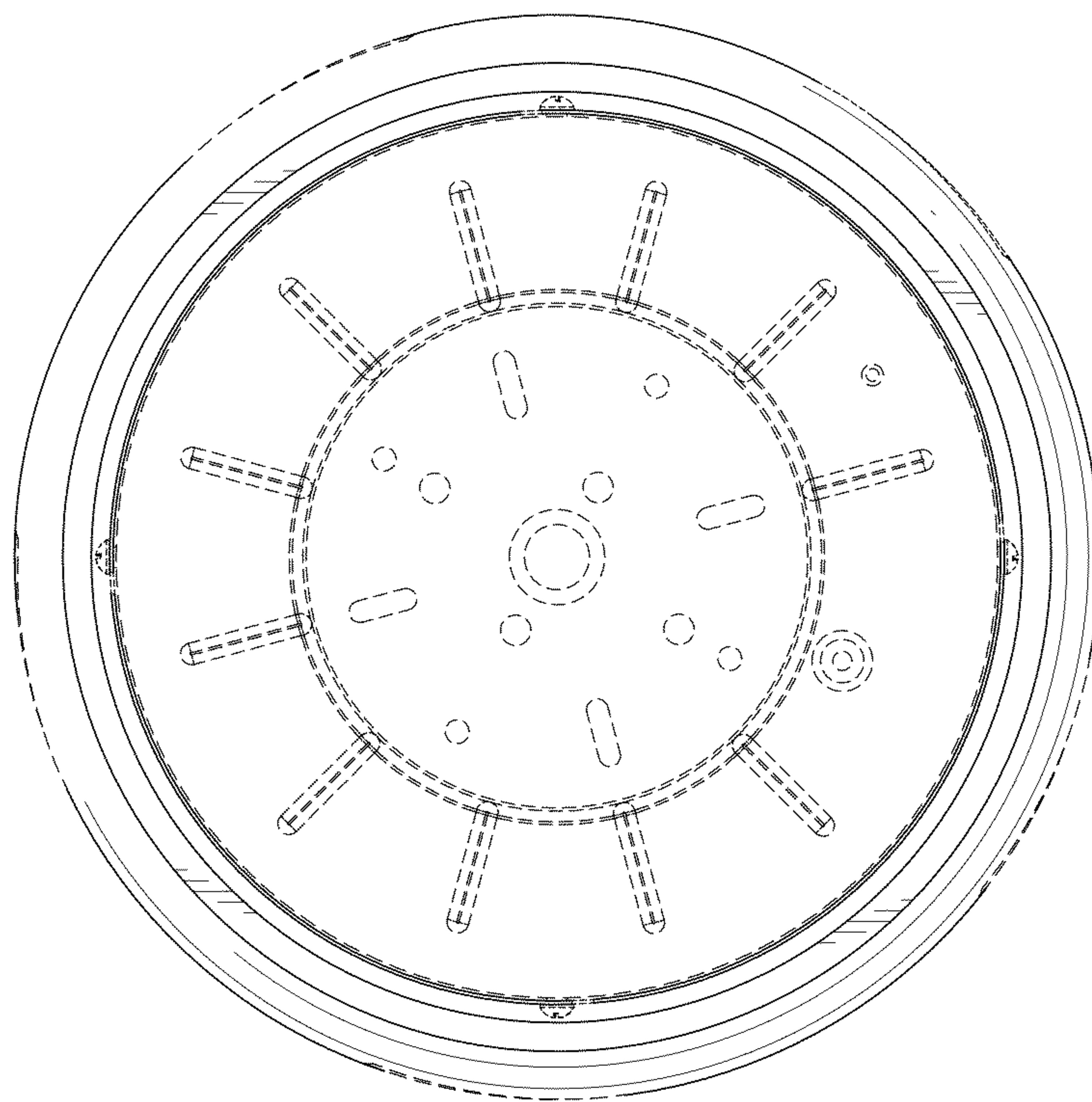


FIG. 6



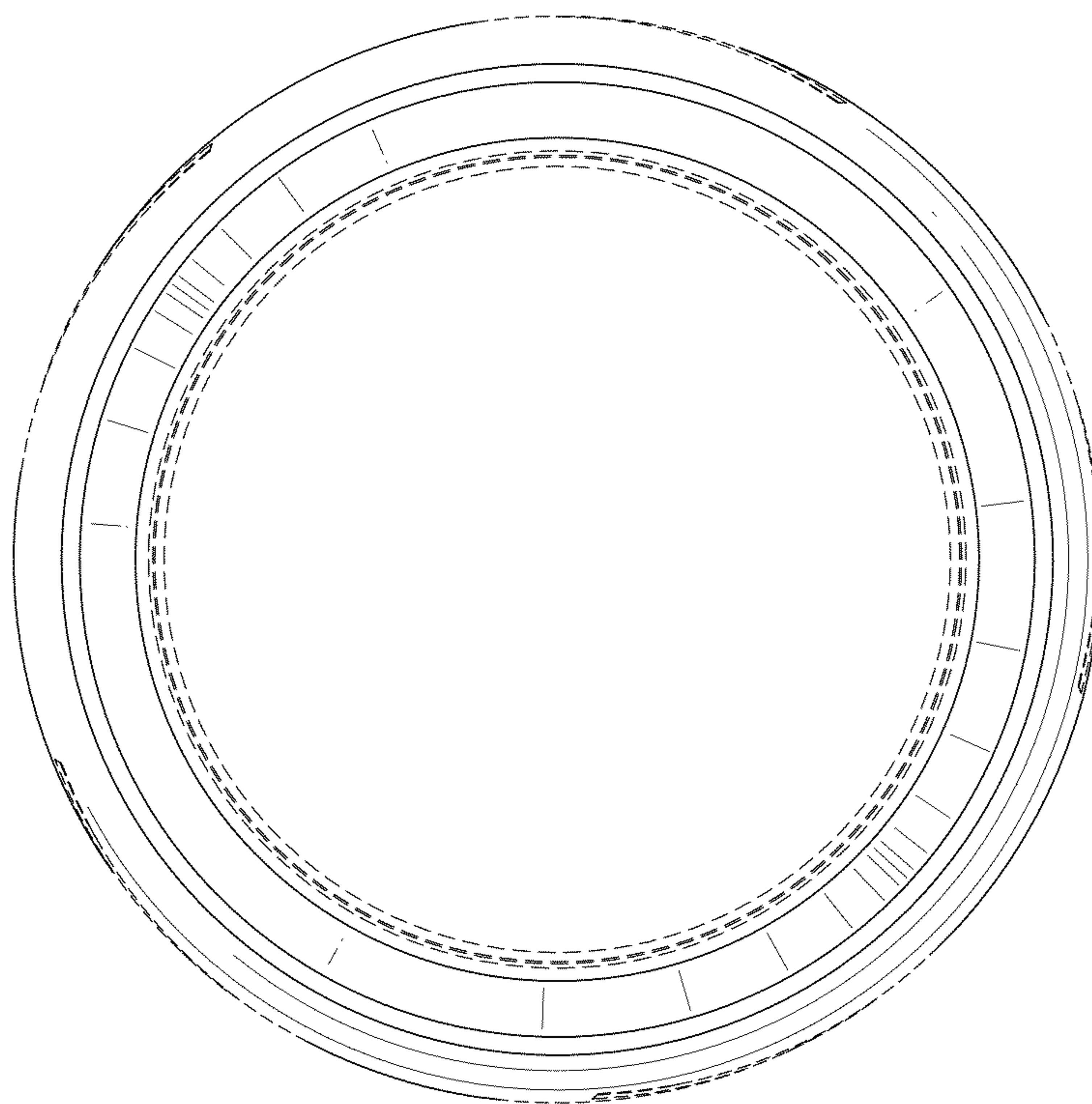


FIG. 7

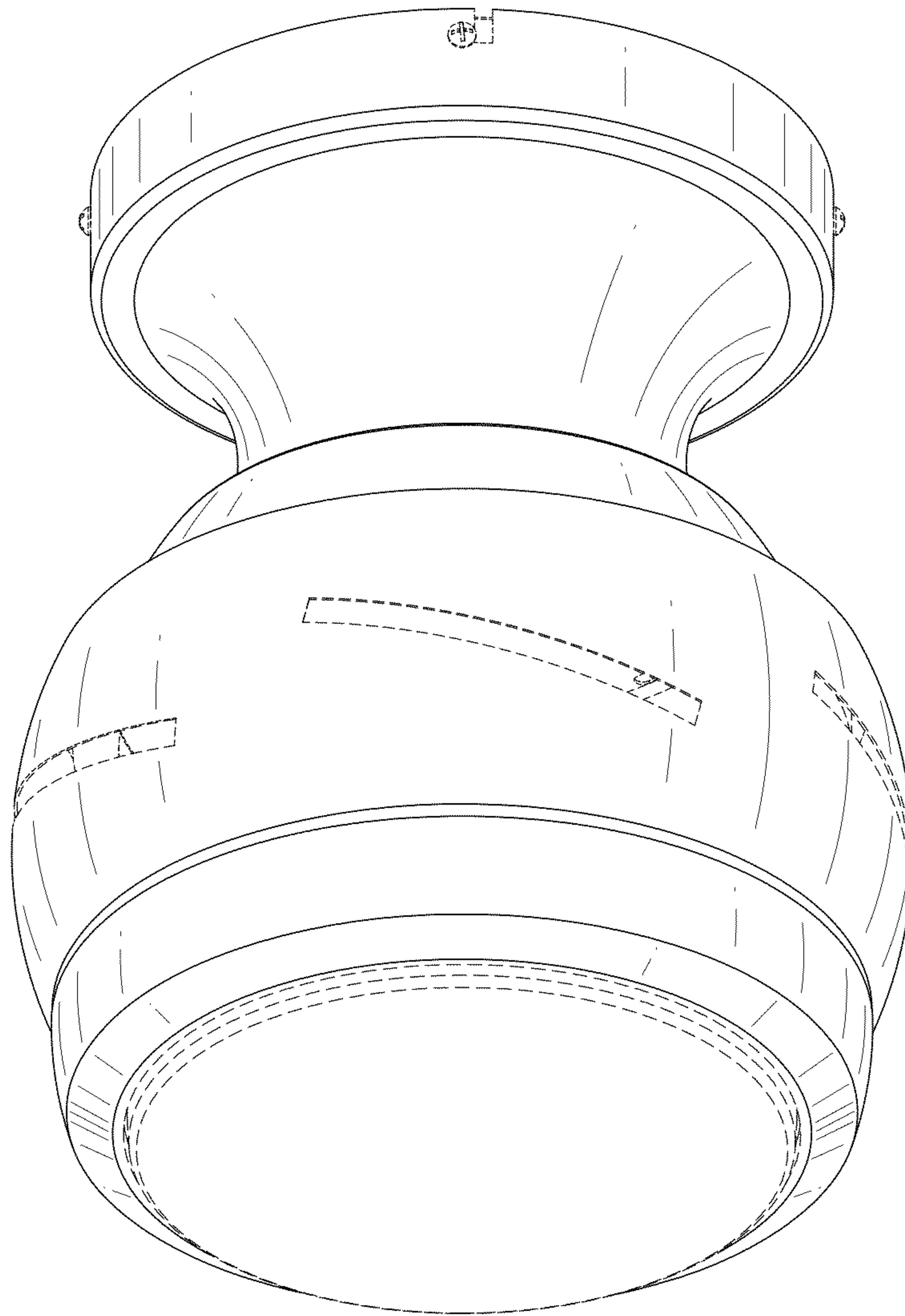


FIG. 8