



US00D756499S

(12) **United States Design Patent**
Vargas Cervantes et al.

(10) **Patent No.:** **US D756,499 S**
(45) **Date of Patent:** **** May 17, 2016**

- (54) **AIR FRESHENER CONTAINER**
- (71) Applicants: **José Daniel Vargas Cervantes**, León (MX); **Mabel Guadalupe Díaz López**, León (MX); **Eduardo Díaz López**, León (MX)
- (72) Inventors: **José Daniel Vargas Cervantes**, León (MX); **Mabel Guadalupe Díaz López**, León (MX); **Eduardo Díaz López**, León (MX)

D275,837	S	*	10/1984	Poelvoorde	D9/418
4,854,474	A	*	8/1989	Murray et al.	220/1.5
D446,717	S	*	8/2001	Lancaster et al.	D9/418
6,460,703	B1	*	10/2002	Thompson et al.	206/779
D466,804	S	*	12/2002	Solland	D9/418
D543,450	S	*	5/2007	Watzig et al.	D9/418
D551,969	S	*	10/2007	Aurilio et al.	D9/432
7,469,786	B1	*	12/2008	Rowley et al.	206/521
D600,547	S	*	9/2009	Cain	D9/418
D643,969	S	*	8/2011	Abate	D26/118
D700,049	S	*	2/2014	Athay	D9/418
2004/0094437	A1	*	5/2004	Dailey, III	206/205

* cited by examiner

(**) Term: **14 Years**

Primary Examiner — Sandra Snapp

(21) Appl. No.: **29/501,396**

(74) *Attorney, Agent, or Firm* — Heidi L. Eisenhut; Loza & Loza, LLP

(22) Filed: **Sep. 3, 2014**

(51) **LOC (10) Cl.** **06-01**

(52) **U.S. Cl.**
USPC **D23/366**

(58) **Field of Classification Search**
USPC D23/355–369; D28/5, 6; 261/DIG. 17, 261/DIG. 42, DIG. 47, DIG. 55, DIG. 65, 261/DIG. 70, DIG. 88, DIG. 89; 392/386, 392/390, 392, 394, 395; 239/34, 44, 53, 56, 239/60, 146, 326; D9/418, 425, 432, 433; 206/485; 229/100
CPC A61L 9/00; A61L 9/02; A61L 9/03; A61L 9/04; A61L 9/12; A61L 9/22; A61L 9/127; A61L 9/032; A61L 9/035; A61L 9/037
See application file for complete search history.

(56) **References Cited**

U.S. PATENT DOCUMENTS

D125,781	S	*	3/1941	Nagle	D9/418
2,700,456	A	*	1/1955	Gillam	206/777
D228,910	S	*	10/1973	Cline	D23/361

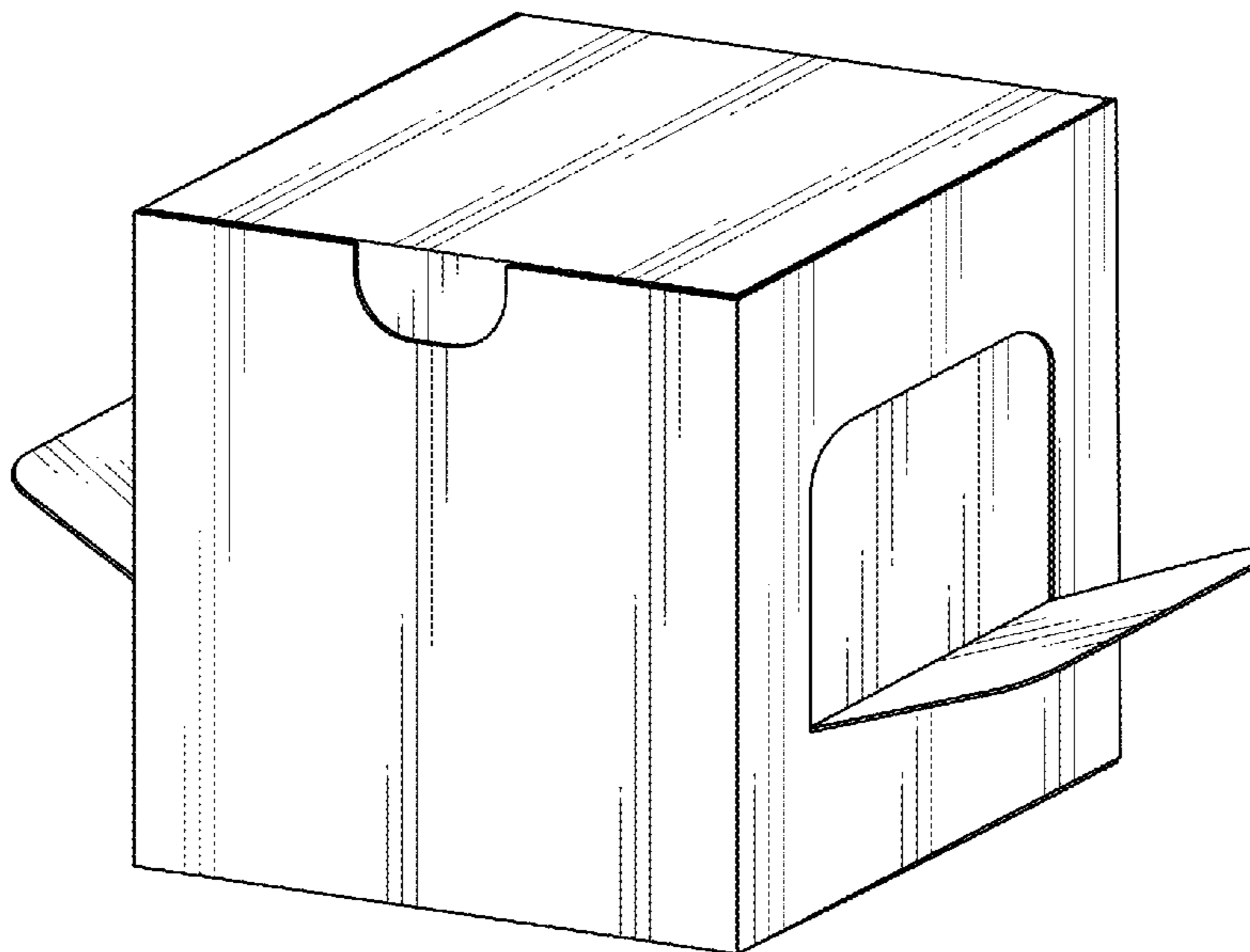
(57) **CLAIM**

The ornamental design for an air freshener container, as shown and described.

DESCRIPTION

FIG. 1 is a left side elevation view of an air freshener container of the present invention.
FIG. 2 is a right side elevation view of the air freshener container of FIG. 1;
FIG. 3 is a front elevation view of the air freshener container of FIG. 1;
FIG. 4 is a rear elevation view of the air freshener container of FIG. 1;
FIG. 5 is rear top right perspective view of the air freshener container of FIG. 1;
FIG. 6 is a bottom plan view of the air freshener container of FIG. 1; and,
FIG. 7 is a top plan view of the air freshener container of FIG. 1.

1 Claim, 7 Drawing Sheets



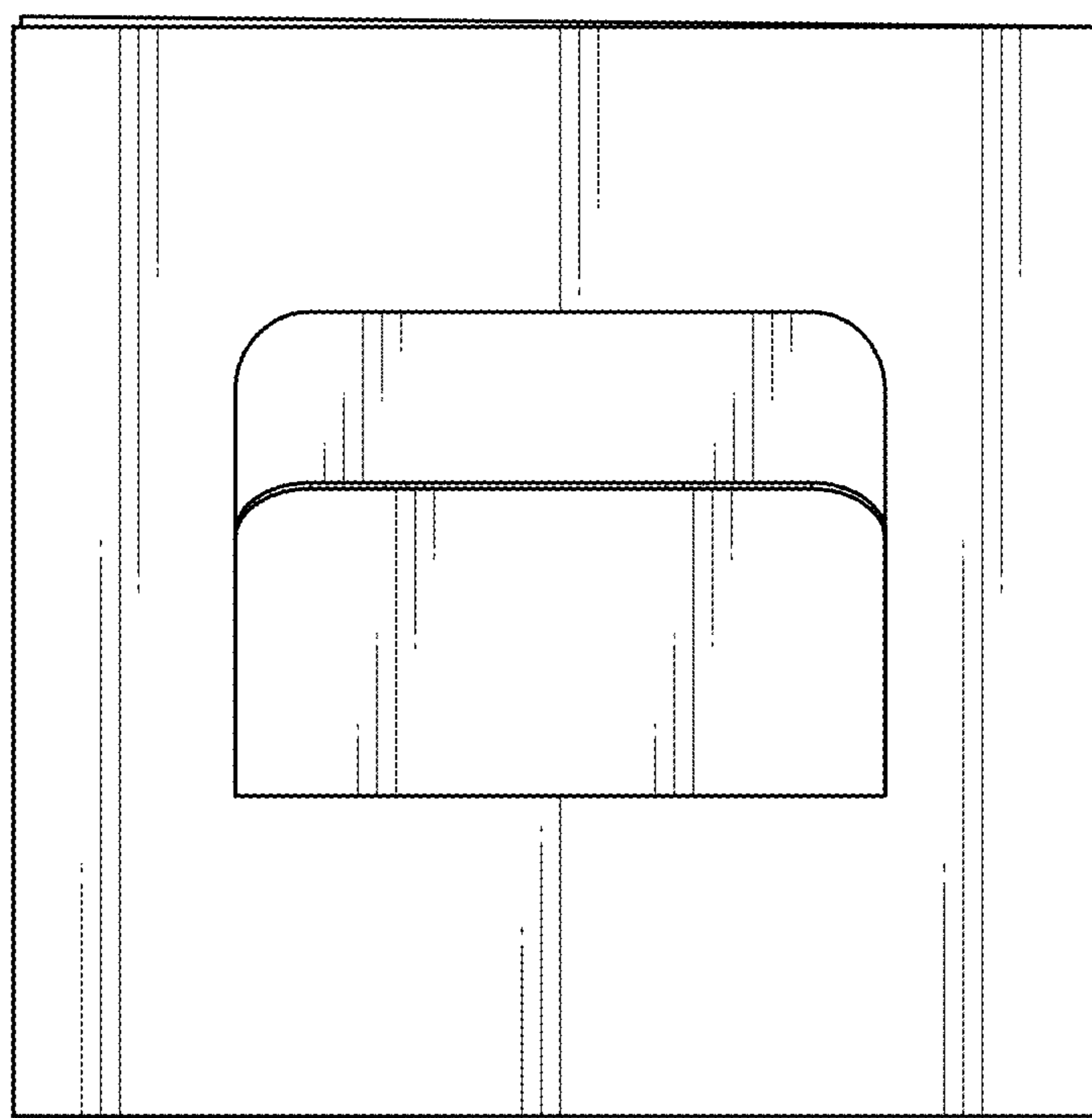


FIG. 1

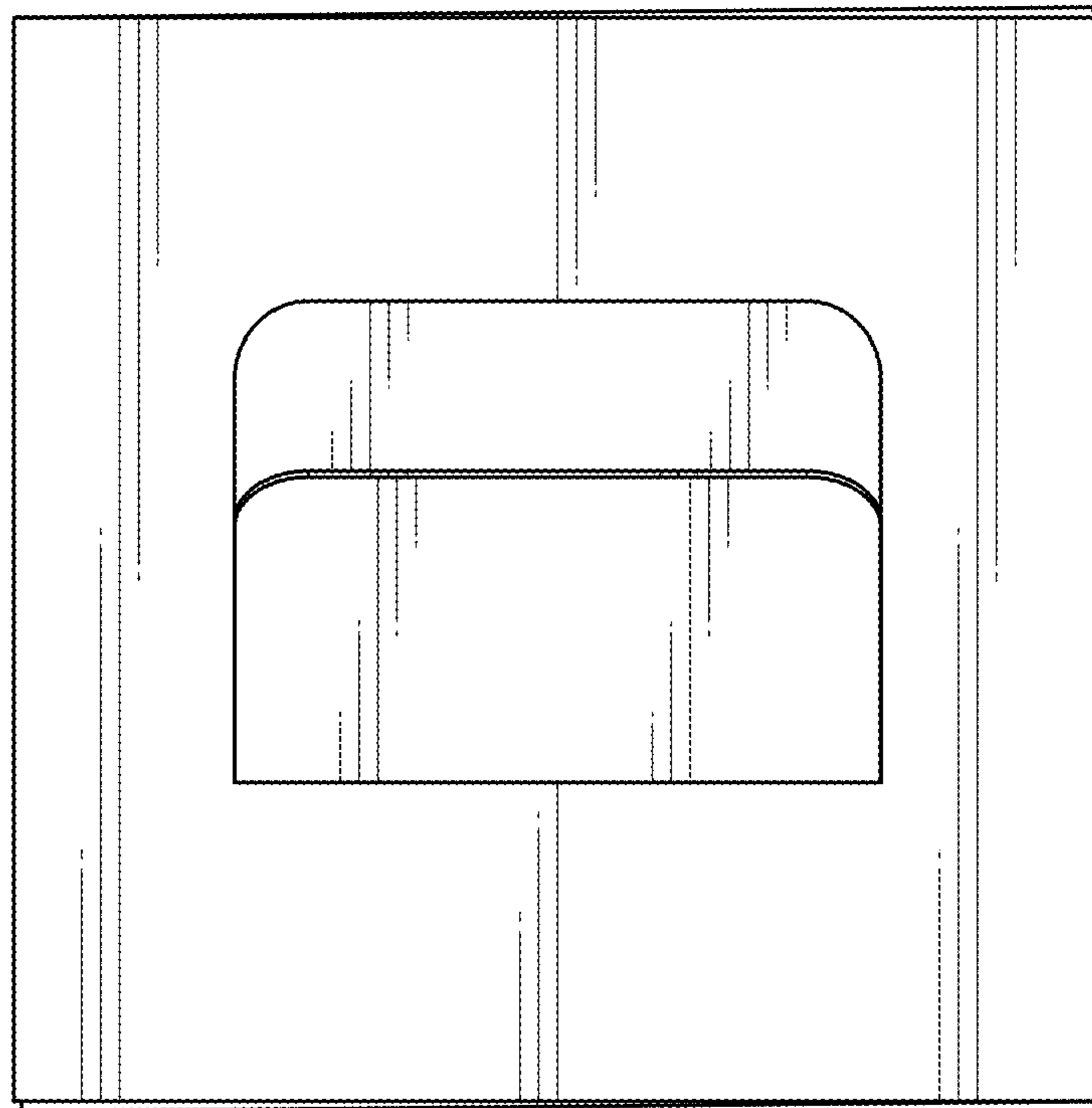


FIG. 2

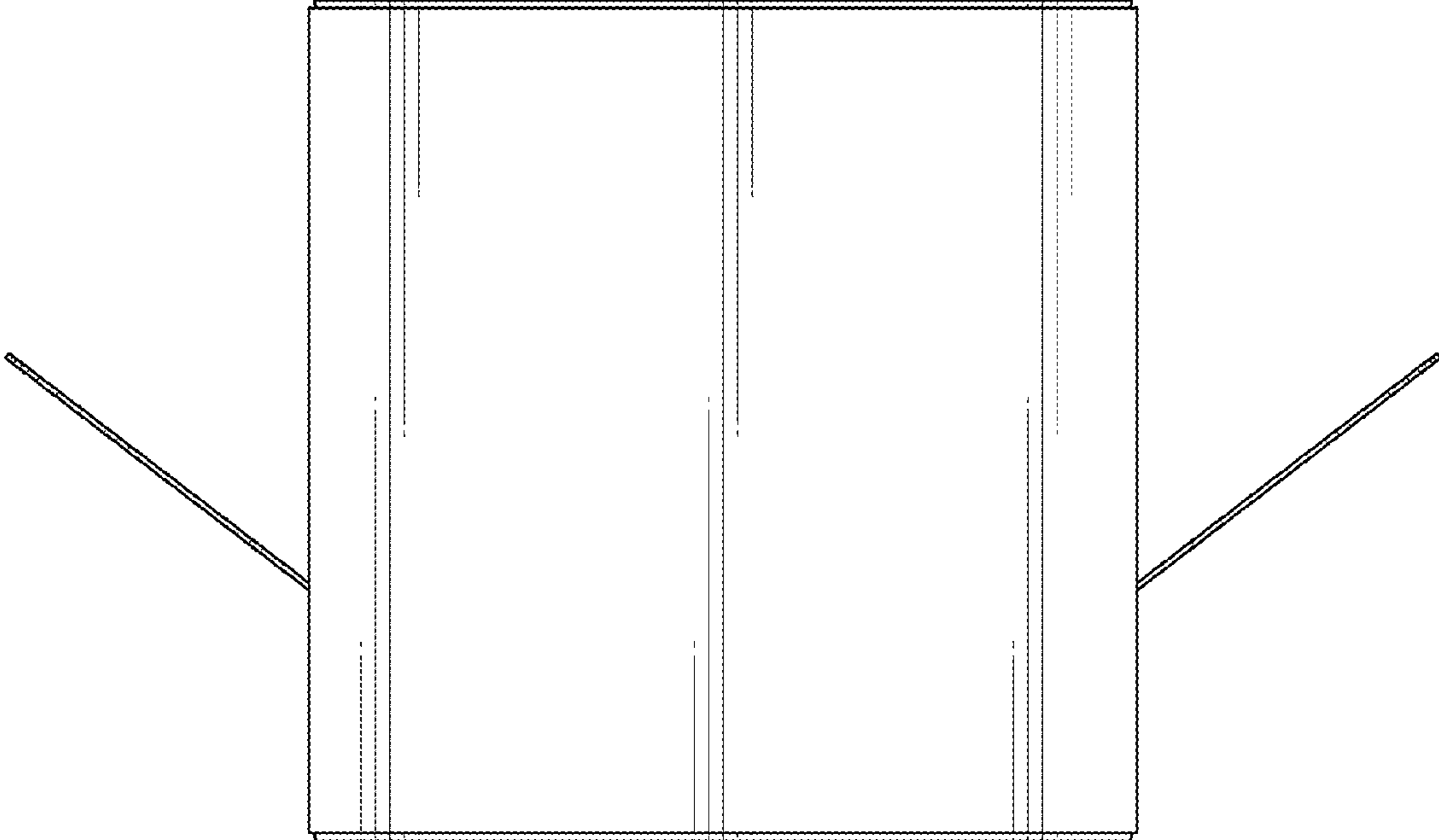


FIG. 3

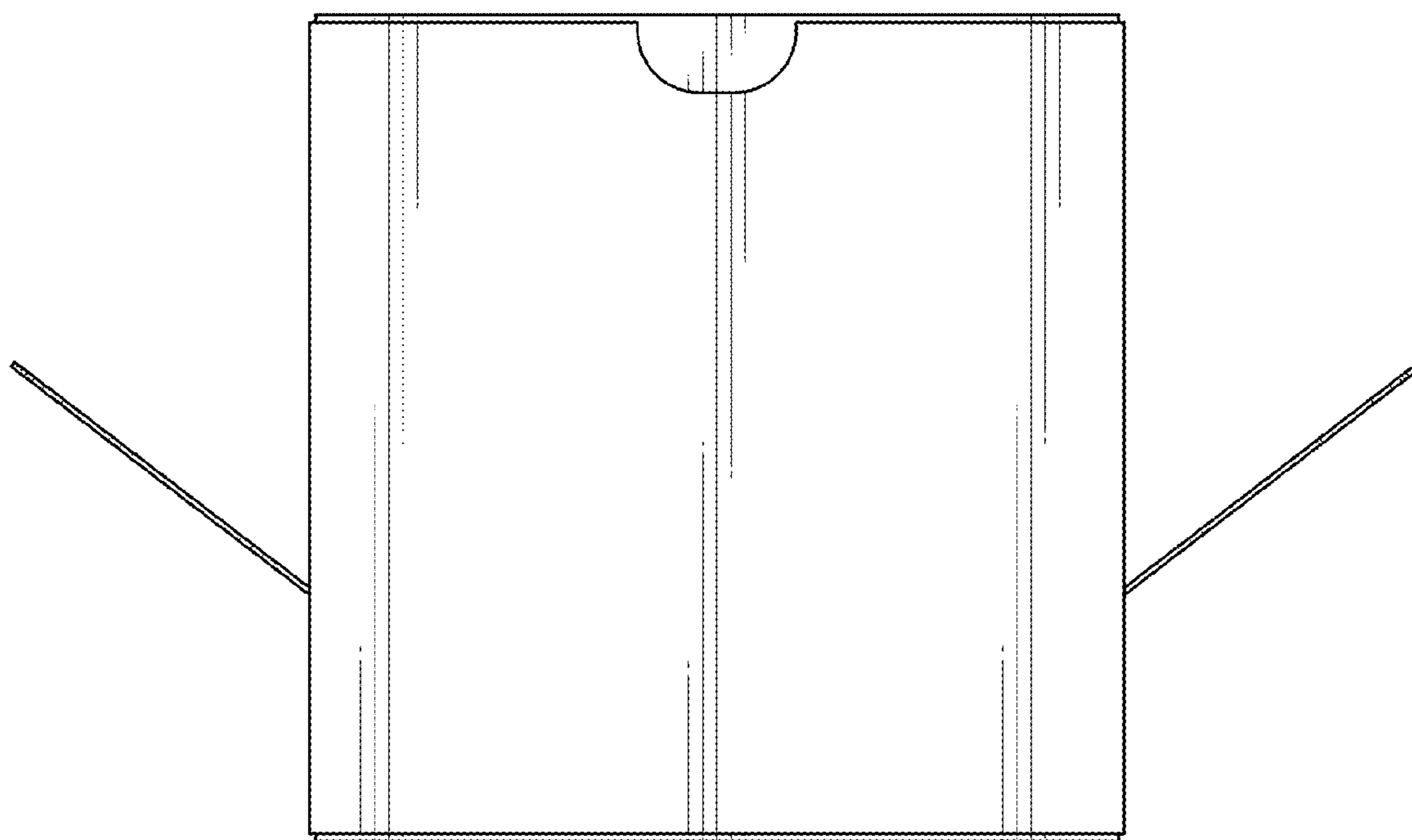


FIG. 4

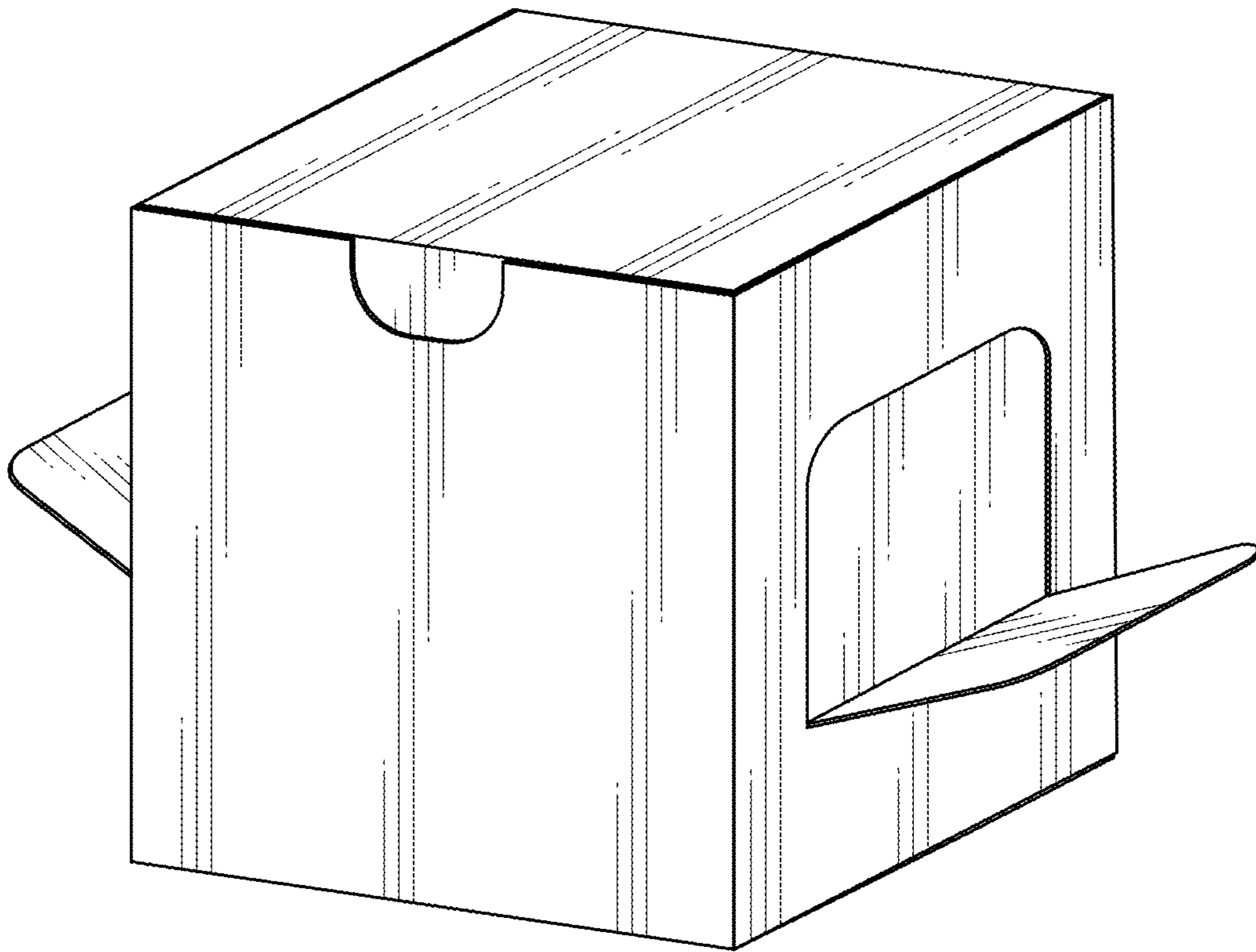


FIG. 5

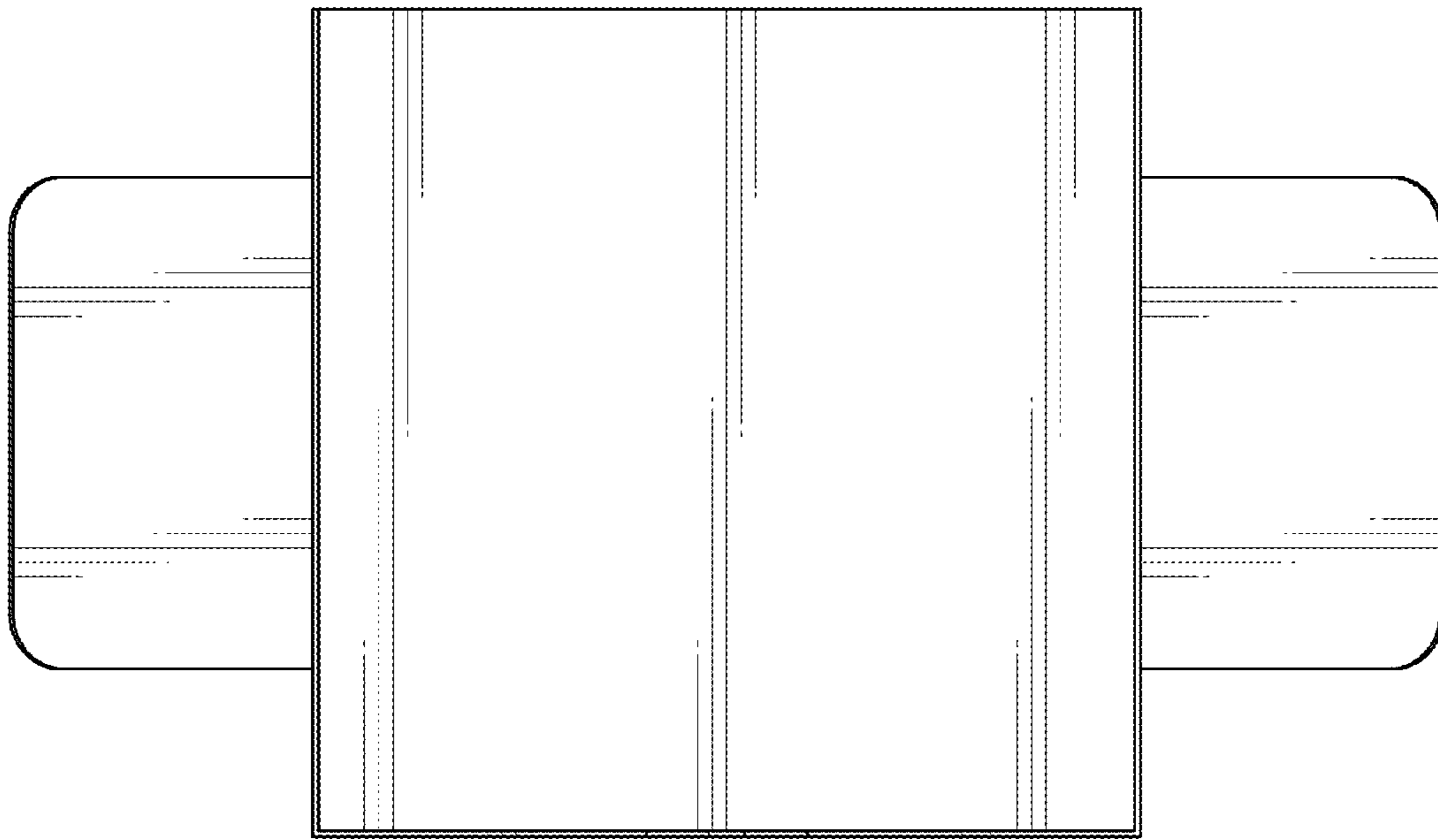


FIG. 6

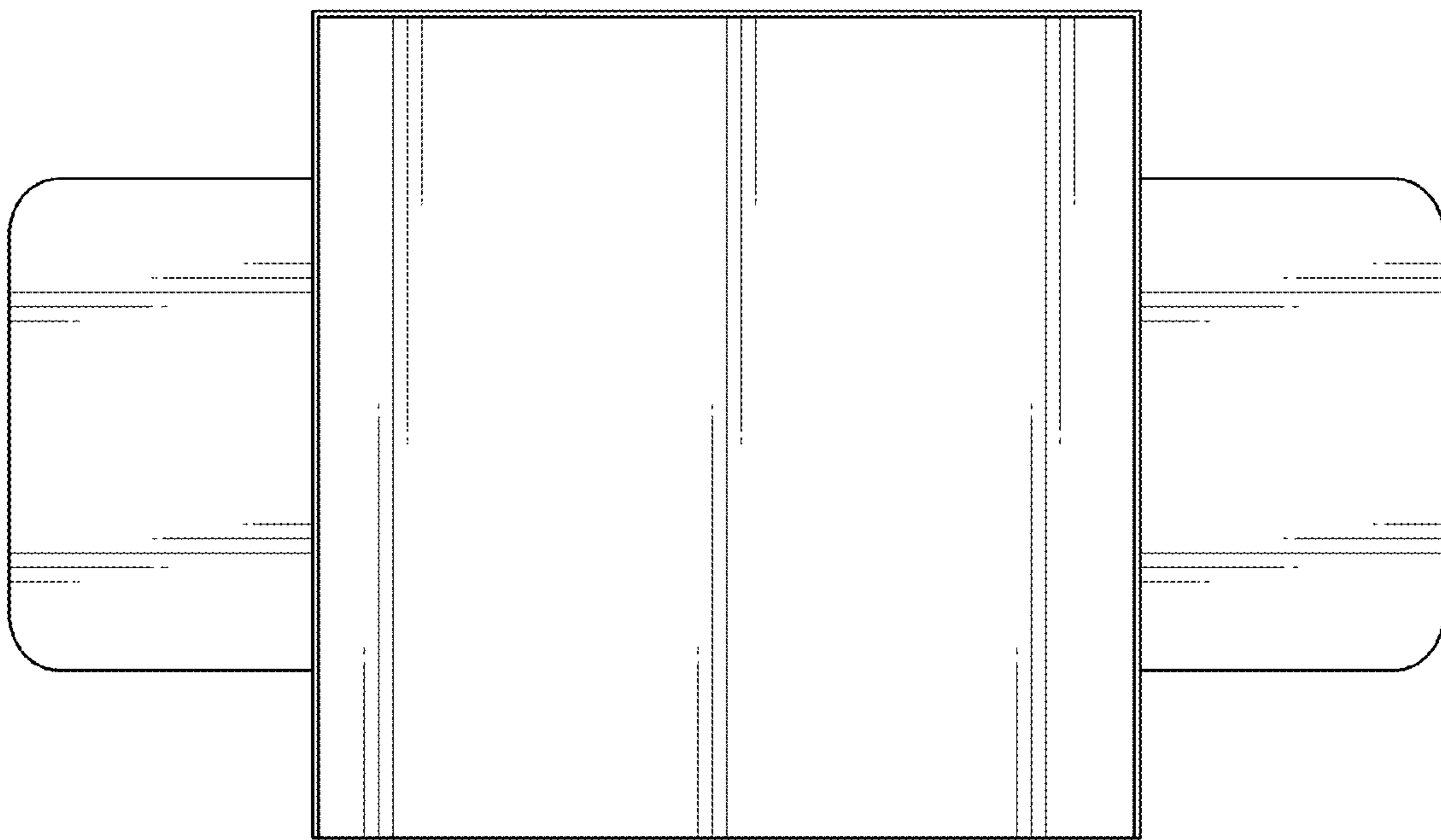


FIG. 7