

US00D756497S

(12) **United States Design Patent**
Norman et al.

(10) **Patent No.:** **US D756,497 S**
(45) **Date of Patent:** **** May 17, 2016**

(54) **AIR PURIFIER**

(56)

References Cited

- (71) Applicant: **The Procter & Gamble Company**,
Cincinnati, OH (US)
- (72) Inventors: **Joshua James Norman**, Cincinnati, OH
(US); **Paul Edward Backett**, Portland,
OR (US); **Emily Nicole Bayer**, Cleves,
OH (US)
- (73) Assignee: **The Procter & Gamble Company**,
Cincinnati, OH (US)
- (**) Term: **15 Years**
- (21) Appl. No.: **29/539,734**
- (22) Filed: **Sep. 17, 2015**

U.S. PATENT DOCUMENTS

D354,126 S	1/1995	Clawson et al.	
D359,654 S	6/1995	Westgerdes	
D389,905 S	1/1998	Montague et al.	
D401,316 S	11/1998	Allen et al.	
D438,606 S	3/2001	Jackson	
D465,385 S	11/2002	Miller	
D481,112 S	10/2003	Best et al.	
D482,435 S	11/2003	Kawakami et al.	
D505,294 S	5/2005	Gauss	
D508,185 S	8/2005	Gauss	
D519,380 S	4/2006	Leoncavallo et al.	
D536,431 S	* 2/2007	Campbell D23/356
D538,597 S	3/2007	Kim	
D556,878 S	12/2007	Radtke et al.	
D558,869 S	1/2008	Bushee	
D564,080 S	3/2008	Chen	
D565,713 S	4/2008	Gao	
D571,147 S	6/2008	Rohe	

(Continued)

Related U.S. Application Data

- (62) Division of application No. 29/476,404, filed on Dec. 13, 2013.
- (51) **LOC (10) Cl.** **23-04**
- (52) **U.S. Cl.**
USPC **D23/355**

Primary Examiner — Eric Goodman
Assistant Examiner — Bao-Yen Thi Nguyen
 (74) *Attorney, Agent, or Firm* — Abbey A. Lopez; Amy I. Ahn-Roll

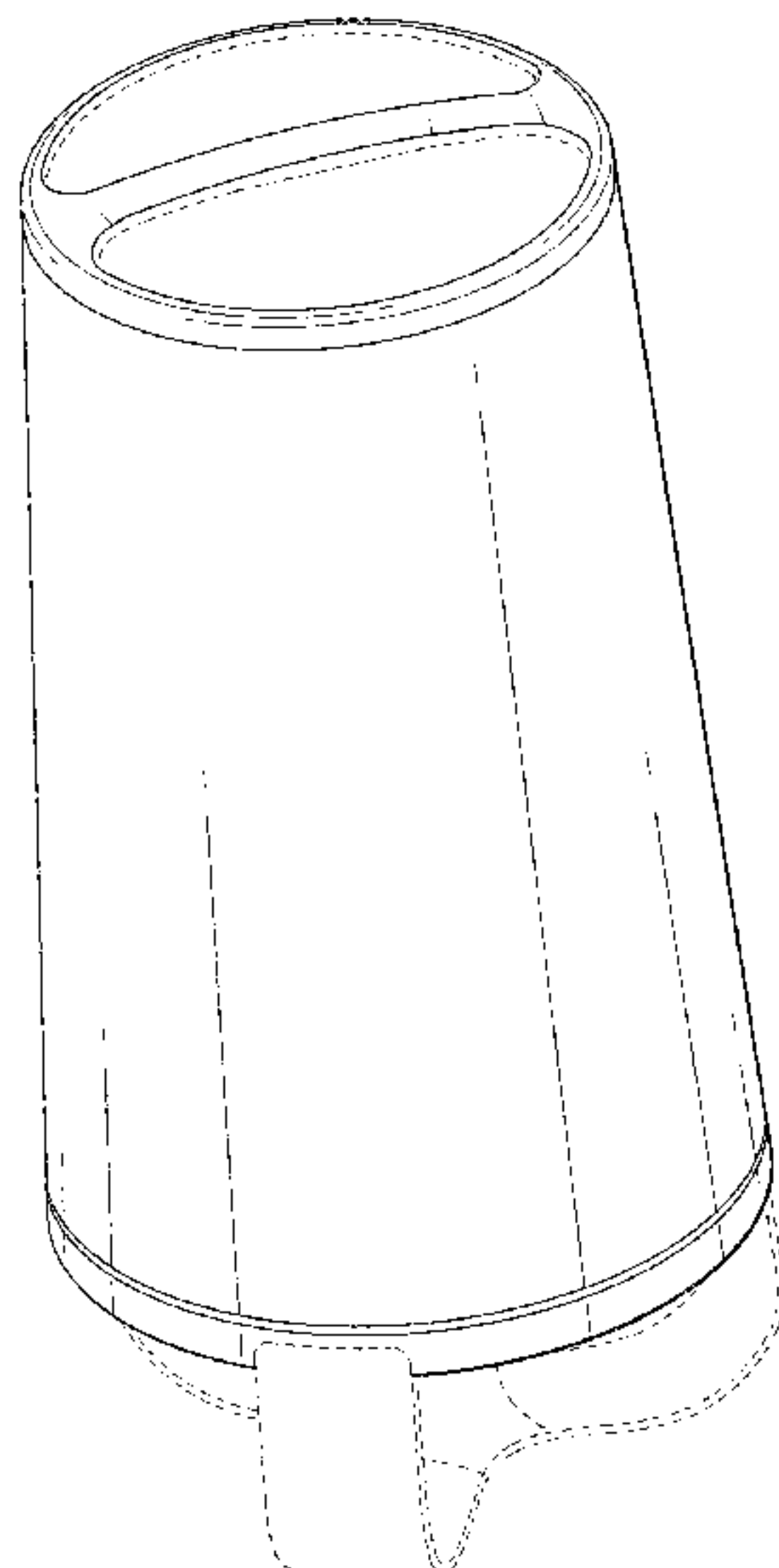
(57) **CLAIM**
 The ornamental design for an air purifier, as shown and described.

DESCRIPTION

- (58) **Field of Classification Search**
 USPC D23/314, 325, 329, 333, 334, 335, 342,
 D23/355, 356, 358, 359, 364, 386, 387, 388,
 D23/389, 390, 391; D7/396.2, 510, 511;
 D9/530, 535
 CPC A61L 9/00; A61L 9/20; A61L 9/205;
 A61L 9/01; A61L 9/015; A61L 9/14; A61L
 9/16; F24F 1/00; F24F 3/16; F24F 3/166;
 F24F 3/1603; F24F 3/14; F24F 3/12; F24F
 7/00; B03C 1/00; B03C 3/32; B03C 3/15;
 B03C 3/155; B03C 3/16; B01D 23/00
 See application file for complete search history.

FIG. 1 is a top perspective view of an air purifier;
 FIG. 2 is a bottom perspective view thereof;
 FIG. 3 is a front view thereof;
 FIG. 4 is a right side view thereof;
 FIG. 5 is a rear view thereof;
 FIG. 6 is a left side view thereof;
 FIG. 7 is a top view thereof; and,
 FIG. 8 is a bottom view thereof.
 The broken lines depict portions of the air purifier and form no part of the claimed design.

1 Claim, 7 Drawing Sheets



(56)

References Cited

U.S. PATENT DOCUMENTS

D583,035 S	12/2008	Gao	D714,154 S	9/2014	Keeler
D592,905 S	5/2009	Pinelli et al.	D718,572 S	12/2014	Sturgess
D596,459 S	7/2009	Ghiassi	D724,384 S	3/2015	Donovan et al.
D648,016 S	11/2011	Choi et al.	D724,895 S	3/2015	Kawase et al.
D682,406 S	5/2013	Yeom	2007/0167124 A1 *	7/2007	Gotoh A61L 9/22 454/155
D683,581 S	6/2013	Archer	2007/0234691 A1 *	10/2007	Han A47L 9/1608 55/457
D685,606 S	7/2013	Keys et al.	2008/0028940 A1 *	2/2008	Han B01D 45/16 96/417
D704,320 S	5/2014	Li	2009/0038480 A1	2/2009	Garman et al.
D707,338 S	6/2014	Ediger et al.	2012/0180666 A1	7/2012	Lim et al.
8,801,667 B2 *	8/2014	Taylor A61M 3/0258 604/118			

* cited by examiner

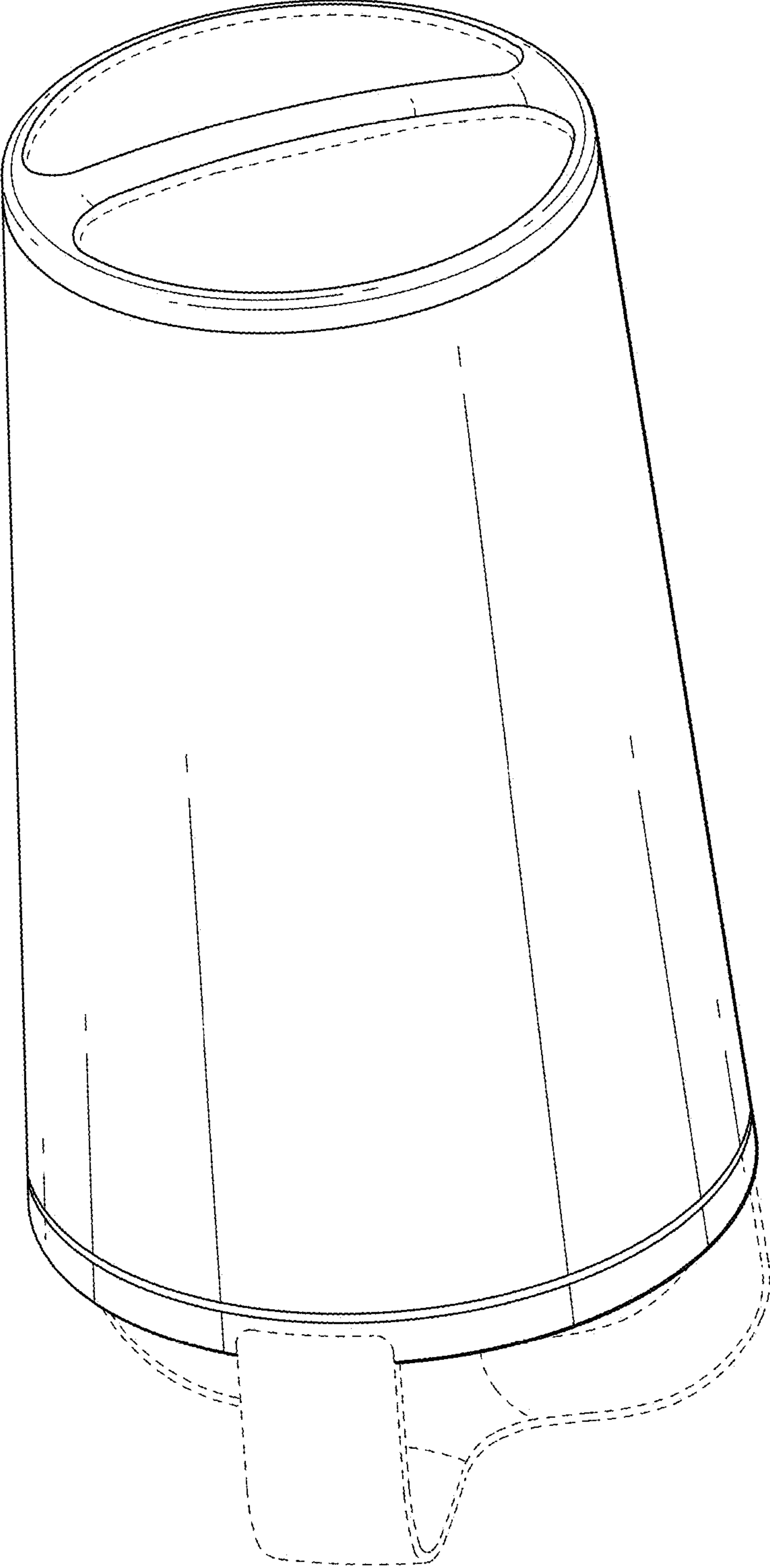


FIG. 1

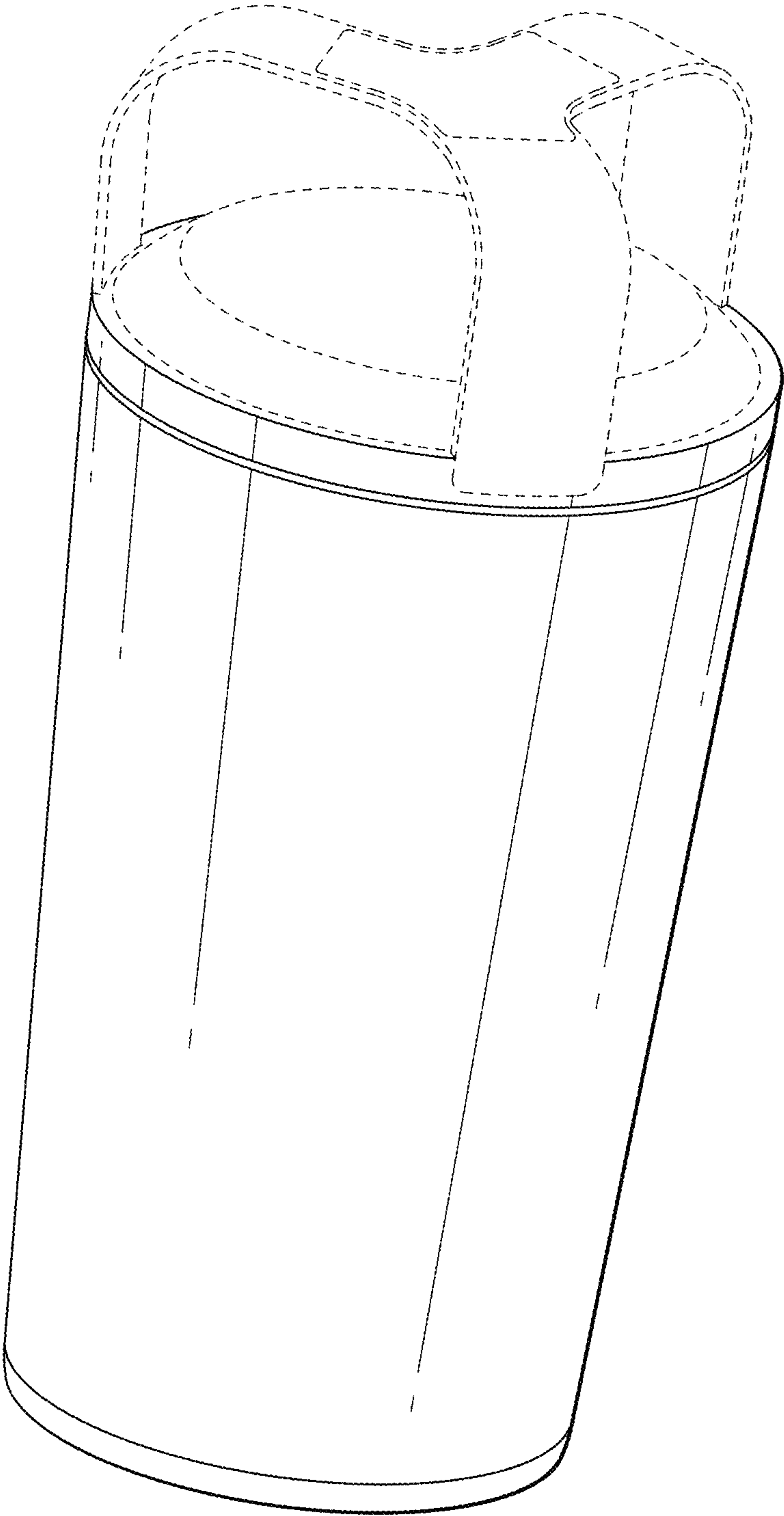


FIG. 2

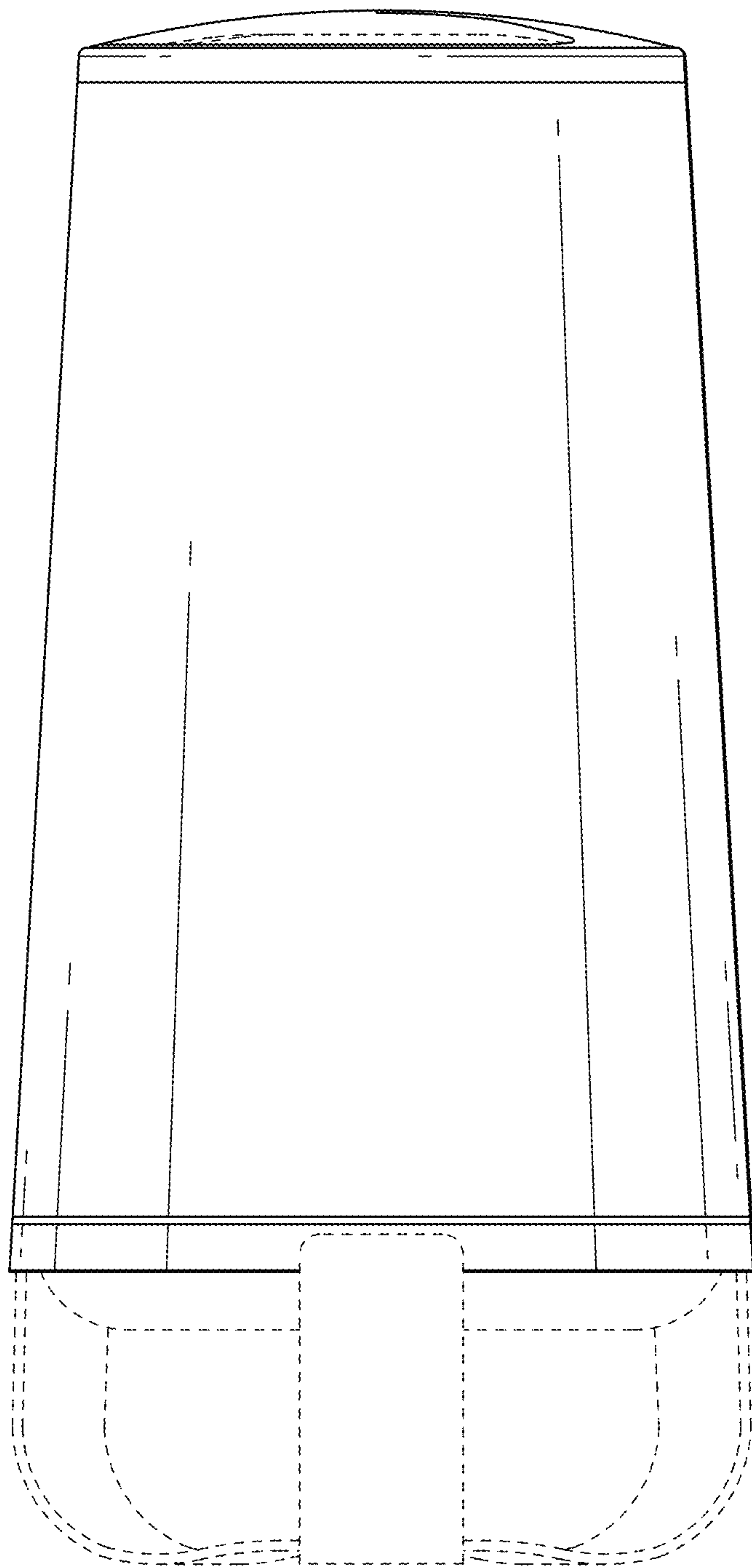


FIG. 3

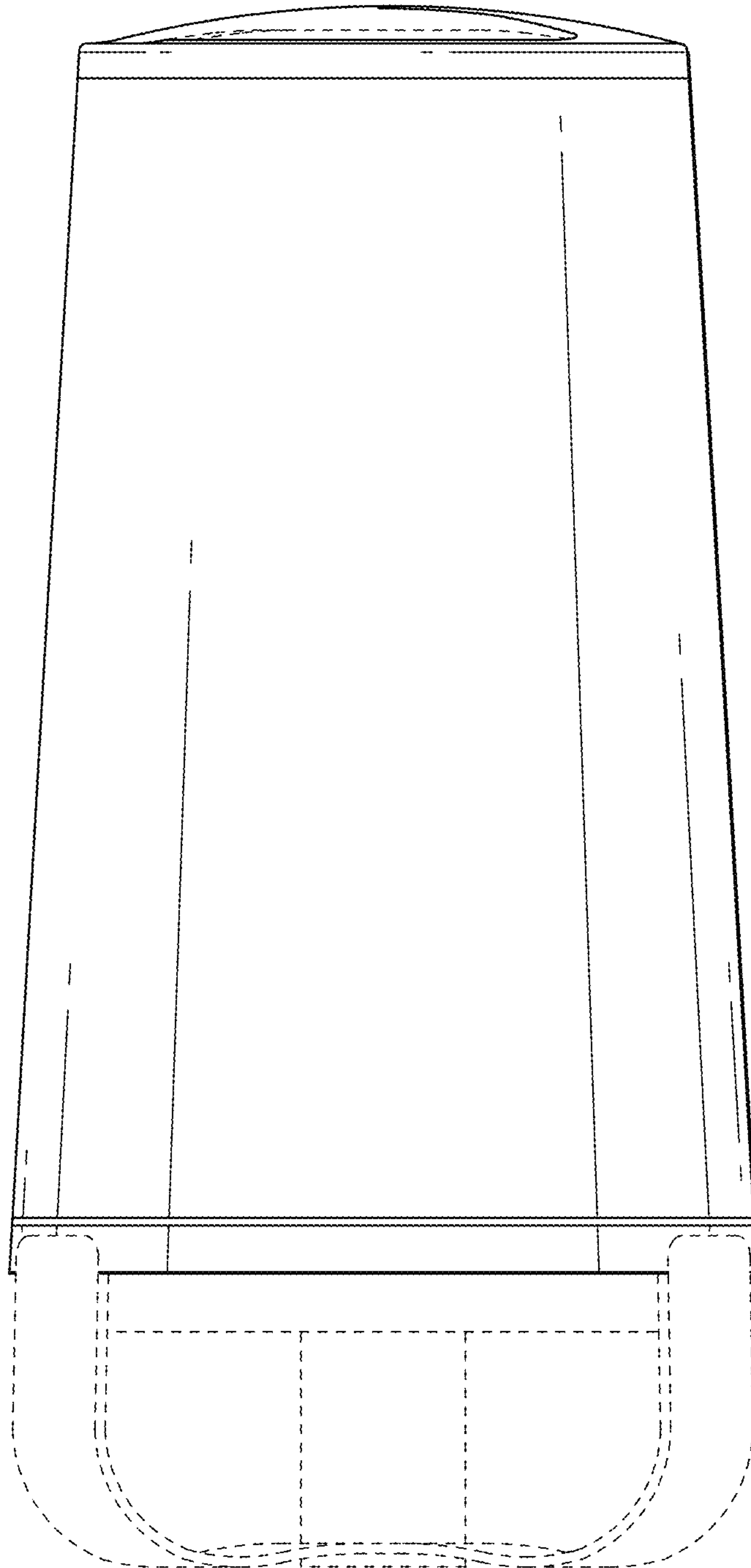


FIG. 4

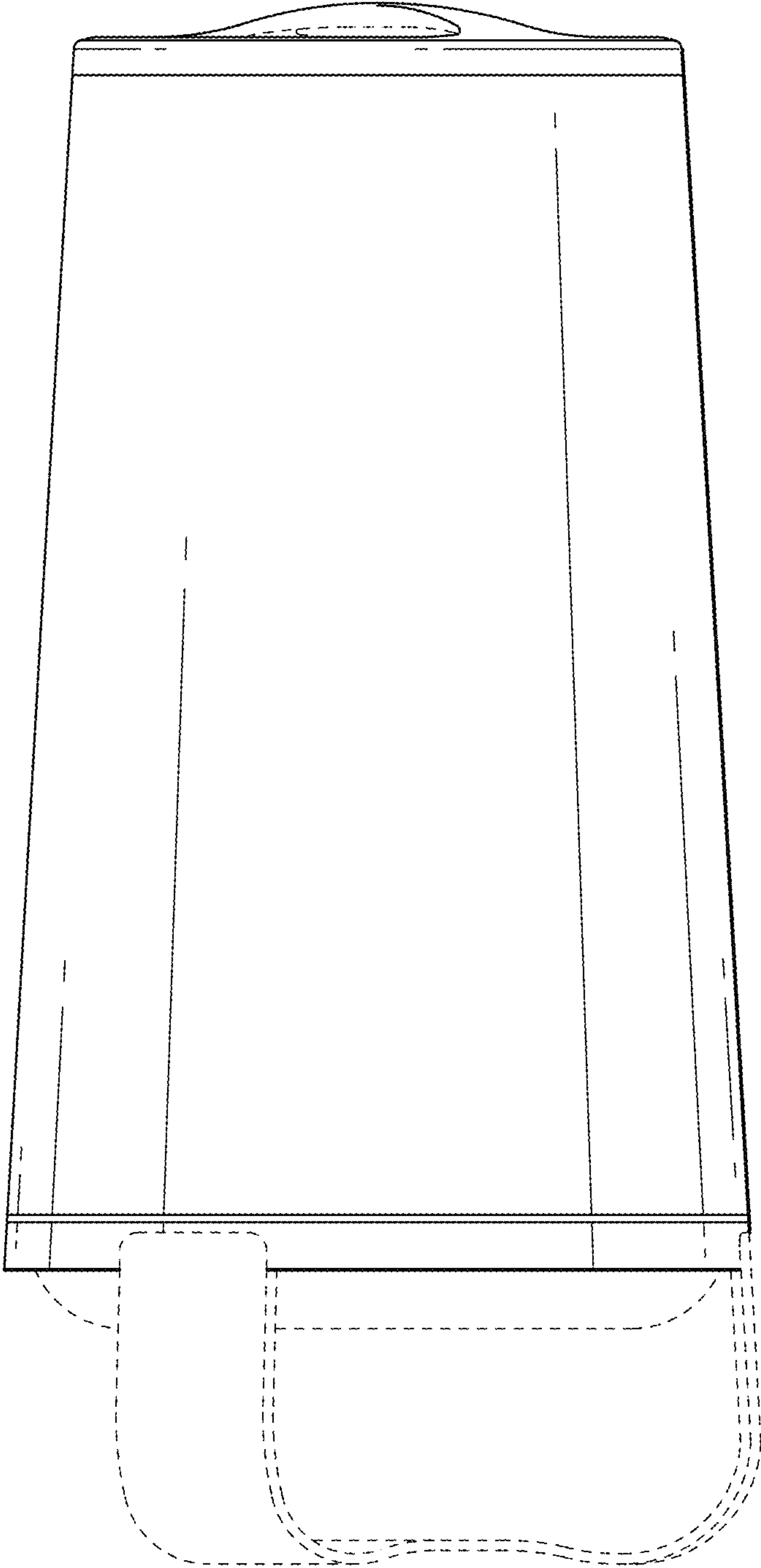


FIG. 5

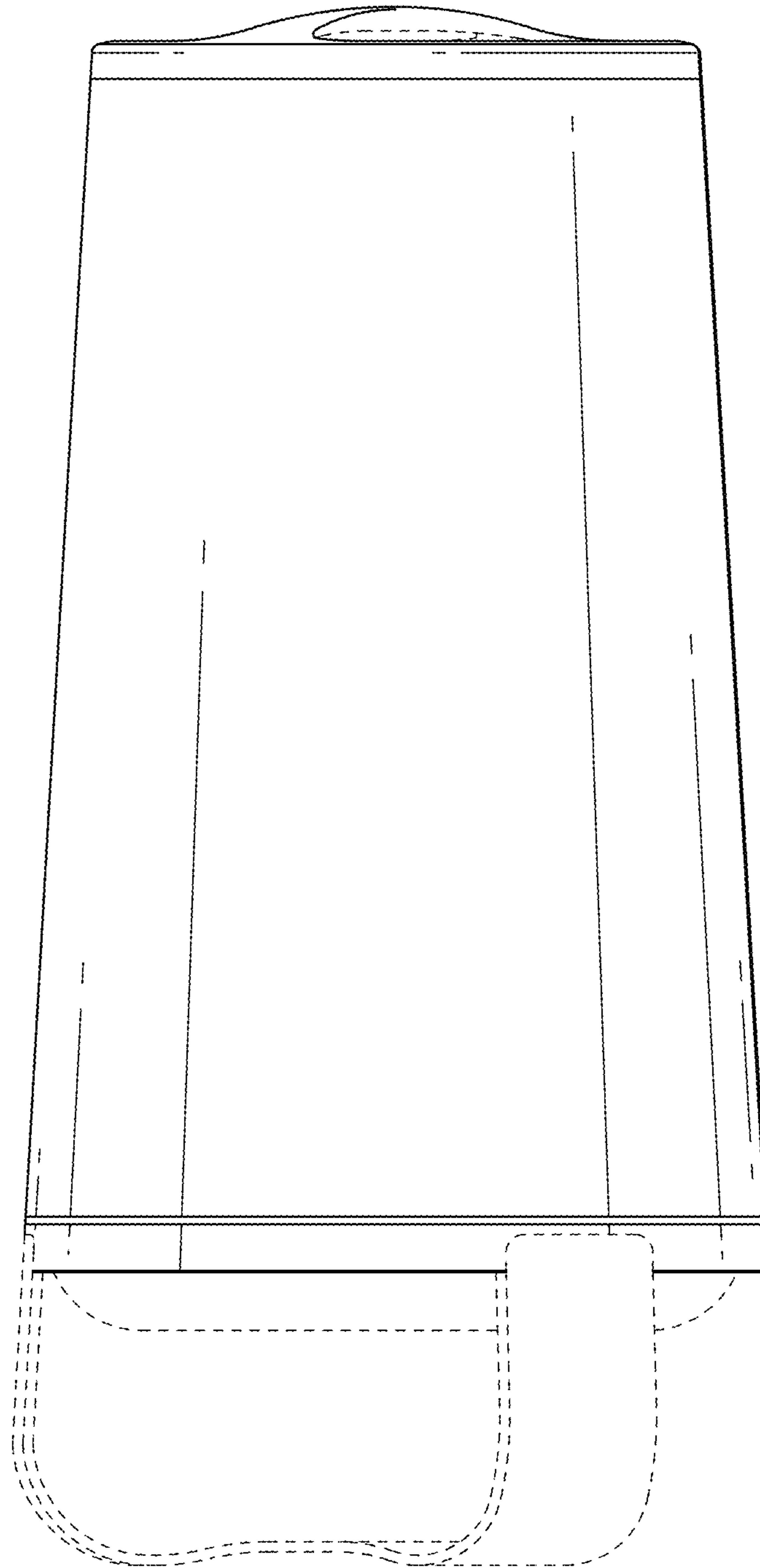


FIG. 6

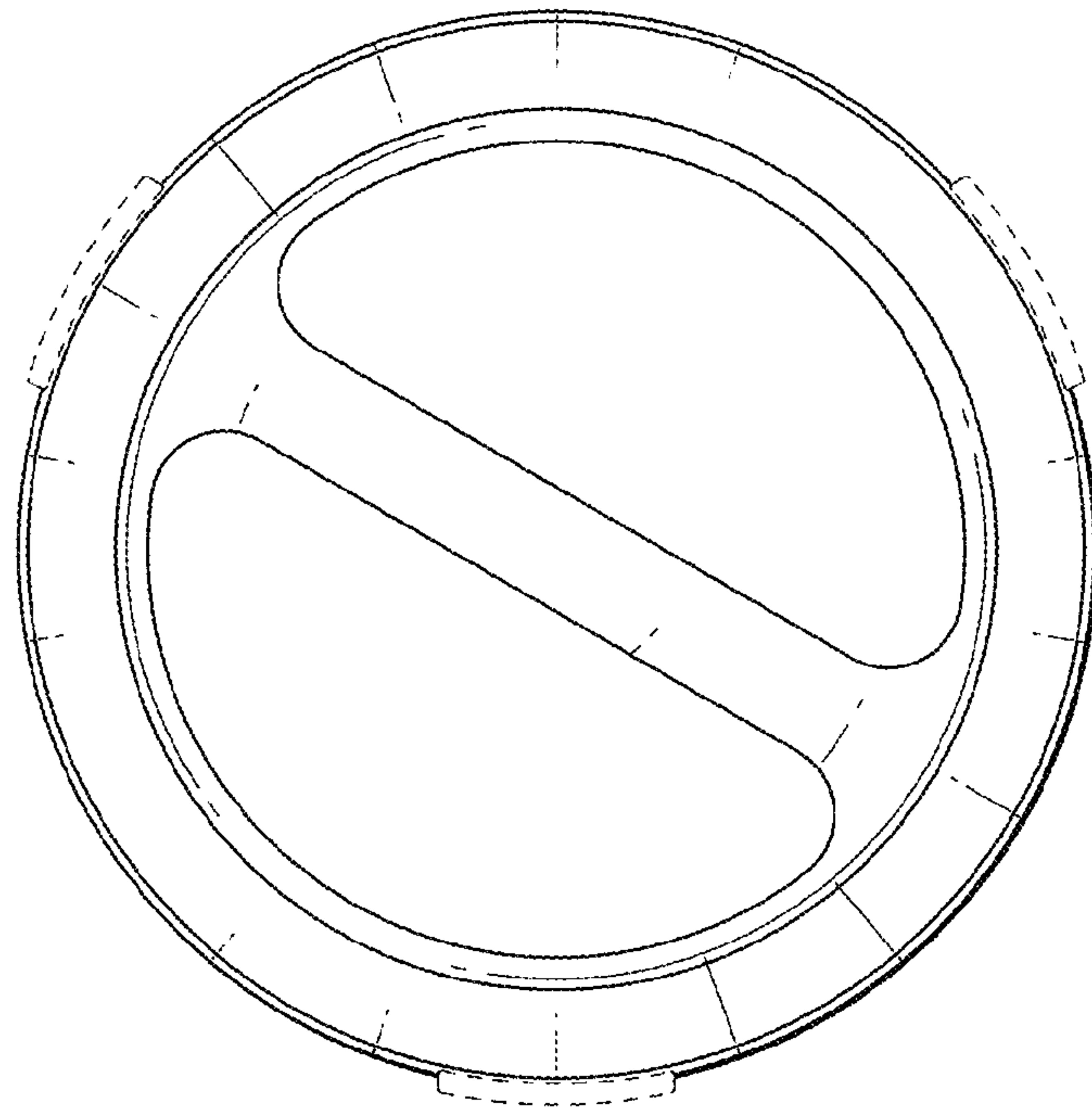


FIG. 7

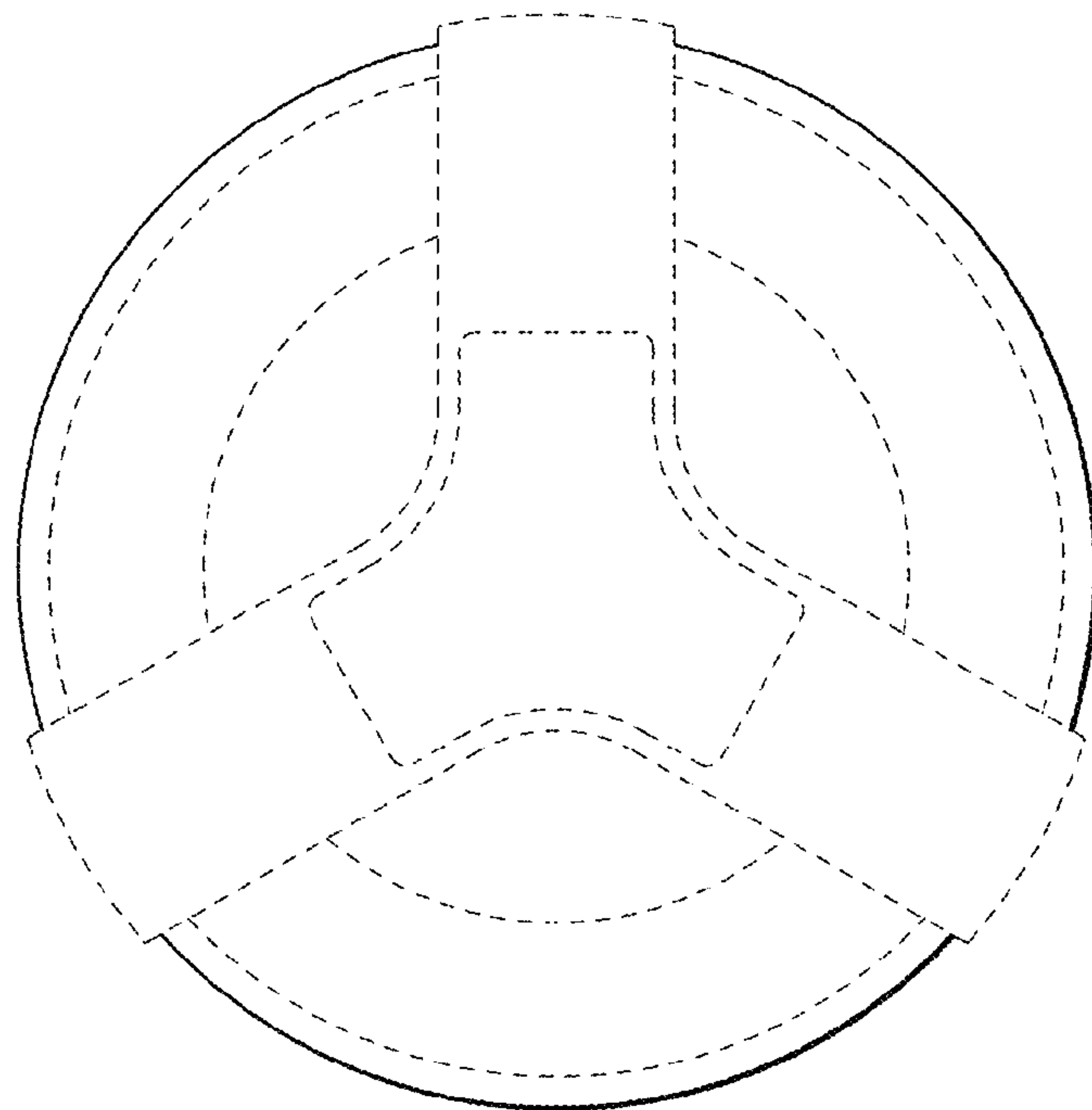


FIG. 8