

US00D756496S

(12) **United States Design Patent**  
**Wang**

(10) **Patent No.:** **US D756,496 S**

(45) **Date of Patent:** **\*\* May 17, 2016**

(54) **OUTDOOR HEATER**

(71) Applicant: **Pengyu Wang**, Changzhou (CN)

(72) Inventor: **Pengyu Wang**, Changzhou (CN)

(\*\*) Term: **14 Years**

(21) Appl. No.: **29/508,303**

(22) Filed: **Nov. 5, 2014**

(30) **Foreign Application Priority Data**

Jul. 3, 2014 (CN) ..... 2014 3 02196703

(51) **LOC (10) Cl.** ..... **23-03**

(52) **U.S. Cl.**  
USPC ..... **D23/332; D23/336**

(58) **Field of Classification Search**  
USPC ..... D23/323, 328, 332, 336, 339, 342, 386,  
D23/338, 317, 314, 340, 343, 346, 403;  
126/25 R, 67, 92 A, 92 B, 9 A, 527, 536,  
126/544, 555, 58, 8, 512, 92 R, 519; 362/92,  
362/217, 253; 431/331, 344  
See application file for complete search history.

(56) **References Cited**

**U.S. PATENT DOCUMENTS**

D289,547 S \* 4/1987 Nakamura ..... D23/337  
D289,679 S \* 5/1987 Nakamura ..... D23/337

D290,036 S \* 5/1987 Nakamura ..... D23/337  
D290,391 S \* 6/1987 Nakamura ..... D23/335  
D620,569 S \* 7/2010 Hall et al. .... D23/332  
D639,919 S \* 6/2011 Yu ..... D23/314  
D663,809 S \* 7/2012 Ren ..... D23/317  
D663,810 S \* 7/2012 Ren ..... D23/317  
D663,811 S \* 7/2012 Ren ..... D23/317

\* cited by examiner

*Primary Examiner* — T. Chase Nelson

*Assistant Examiner* — Ania Aman

(74) *Attorney, Agent, or Firm* — Ascenda Law Group PC

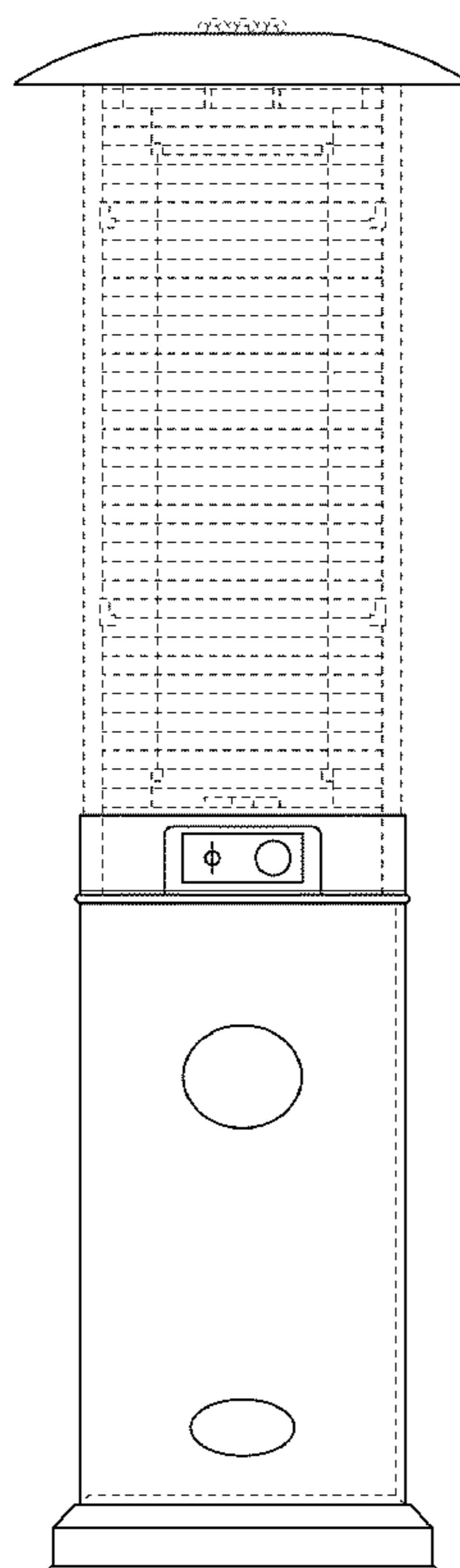
(57) **CLAIM**

The ornamental design of an outdoor heater, substantially as shown and described.

**DESCRIPTION**

FIG. 1 is a front view of an outdoor heater in accordance with the present invention;  
FIG. 2 is a rear view of the outdoor heater in FIG. 1;  
FIG. 3 is a left side view thereof;  
FIG. 4 is a right side view thereof;  
FIG. 5 is a top view thereof; and,  
FIG. 6 is a bottom view thereof.  
The broken lines in the drawings represent portions of the heater that form no part of the claimed design.

**1 Claim, 6 Drawing Sheets**



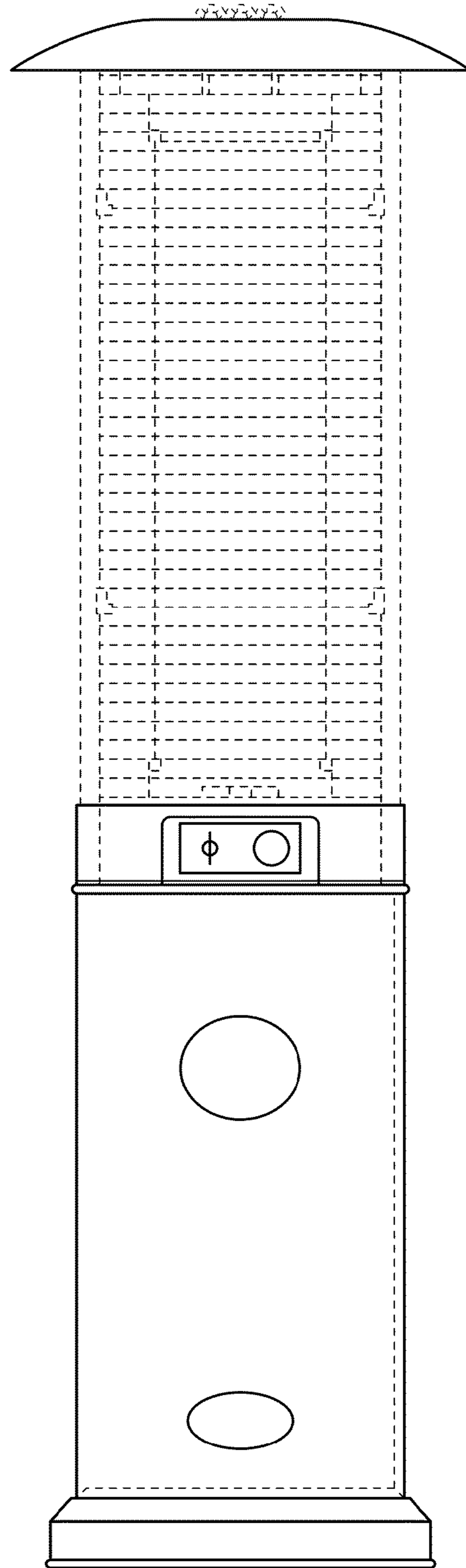


Figure 1

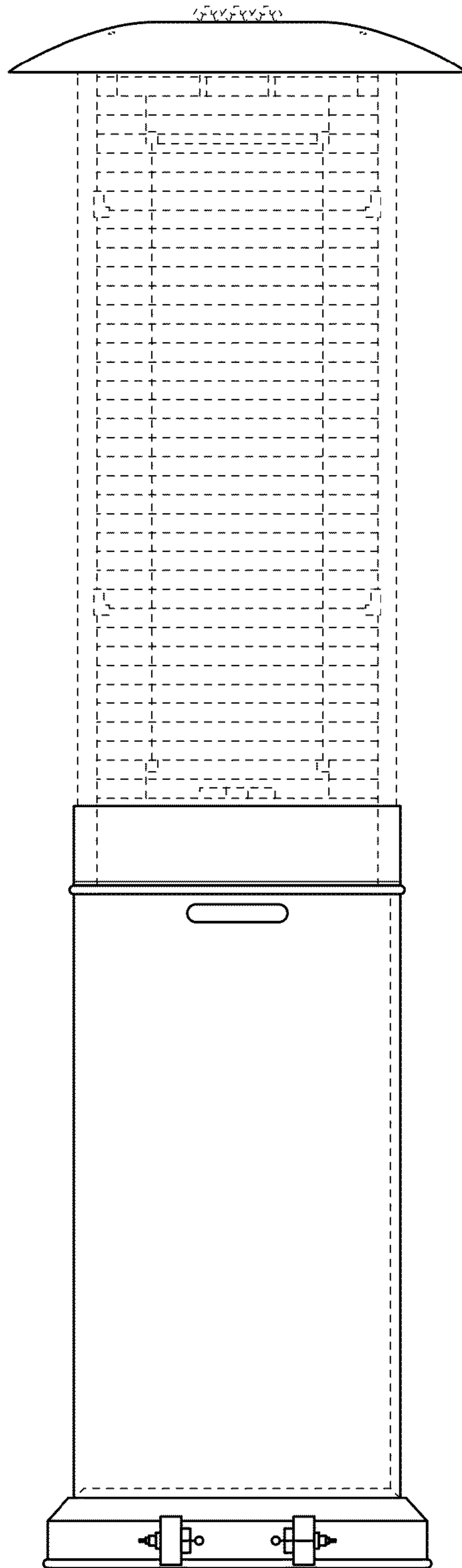


Figure 2

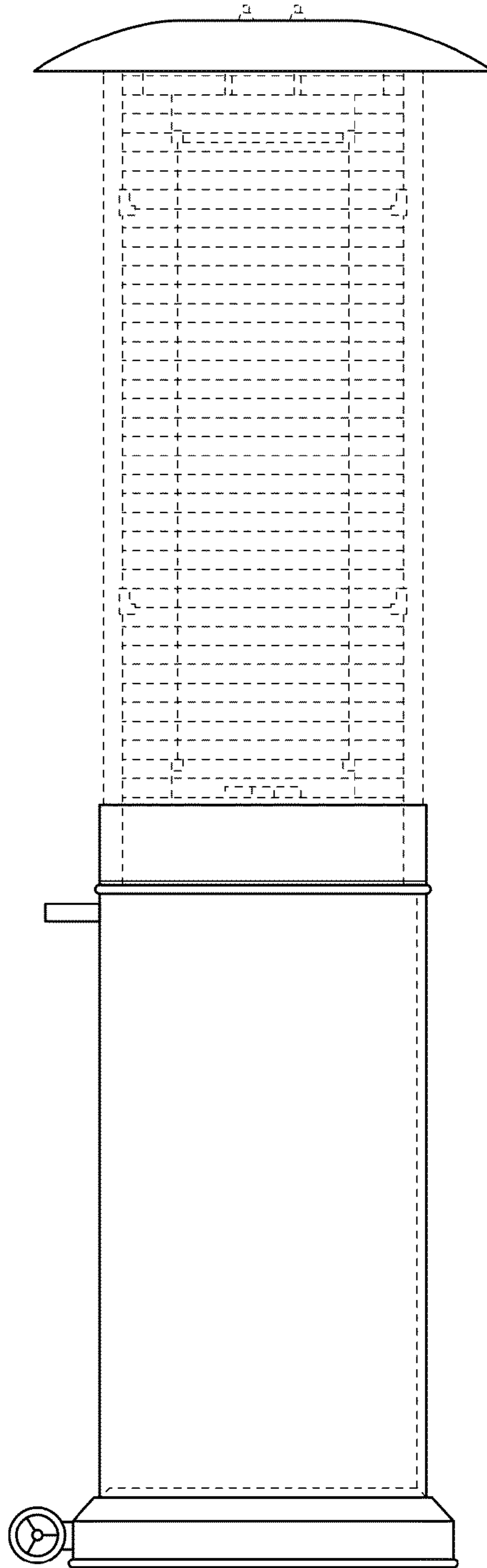


Figure 3

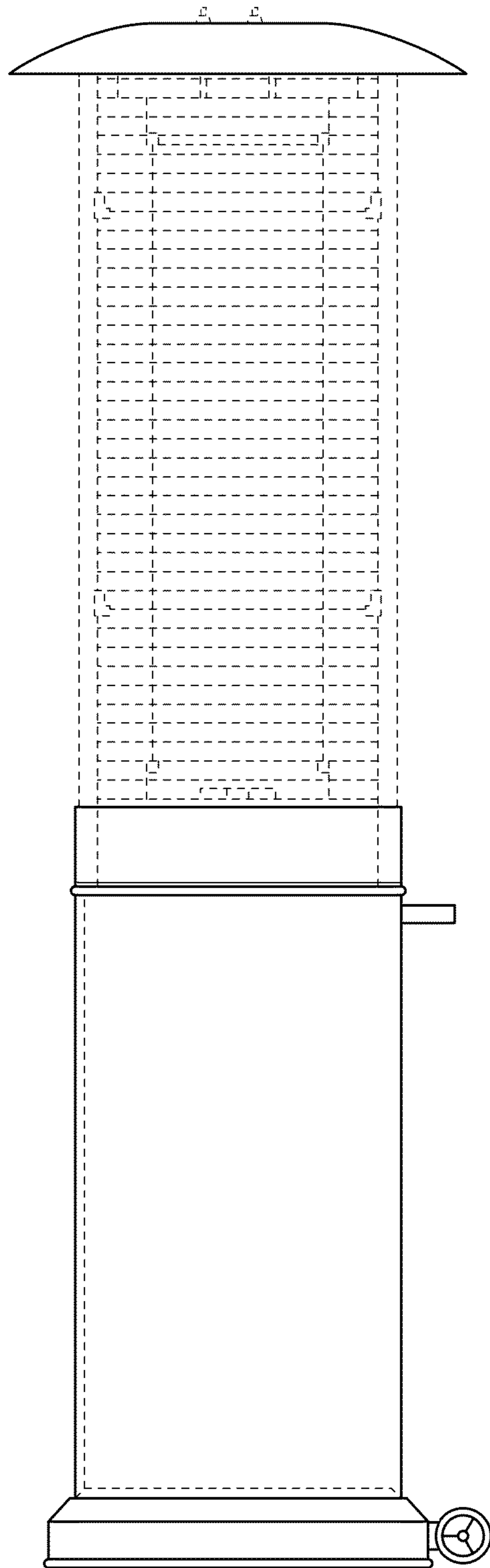


Figure 4

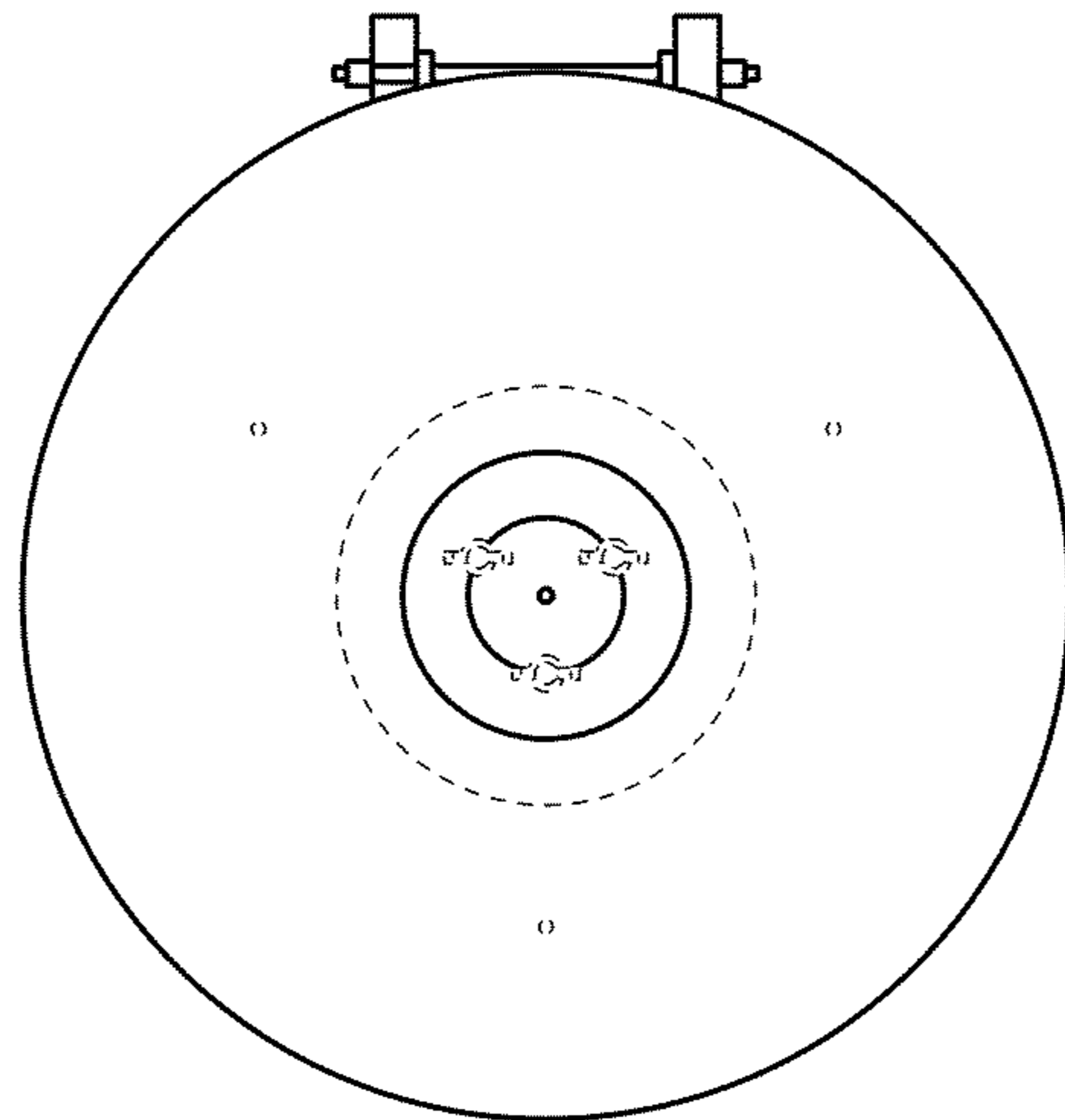


Figure 5

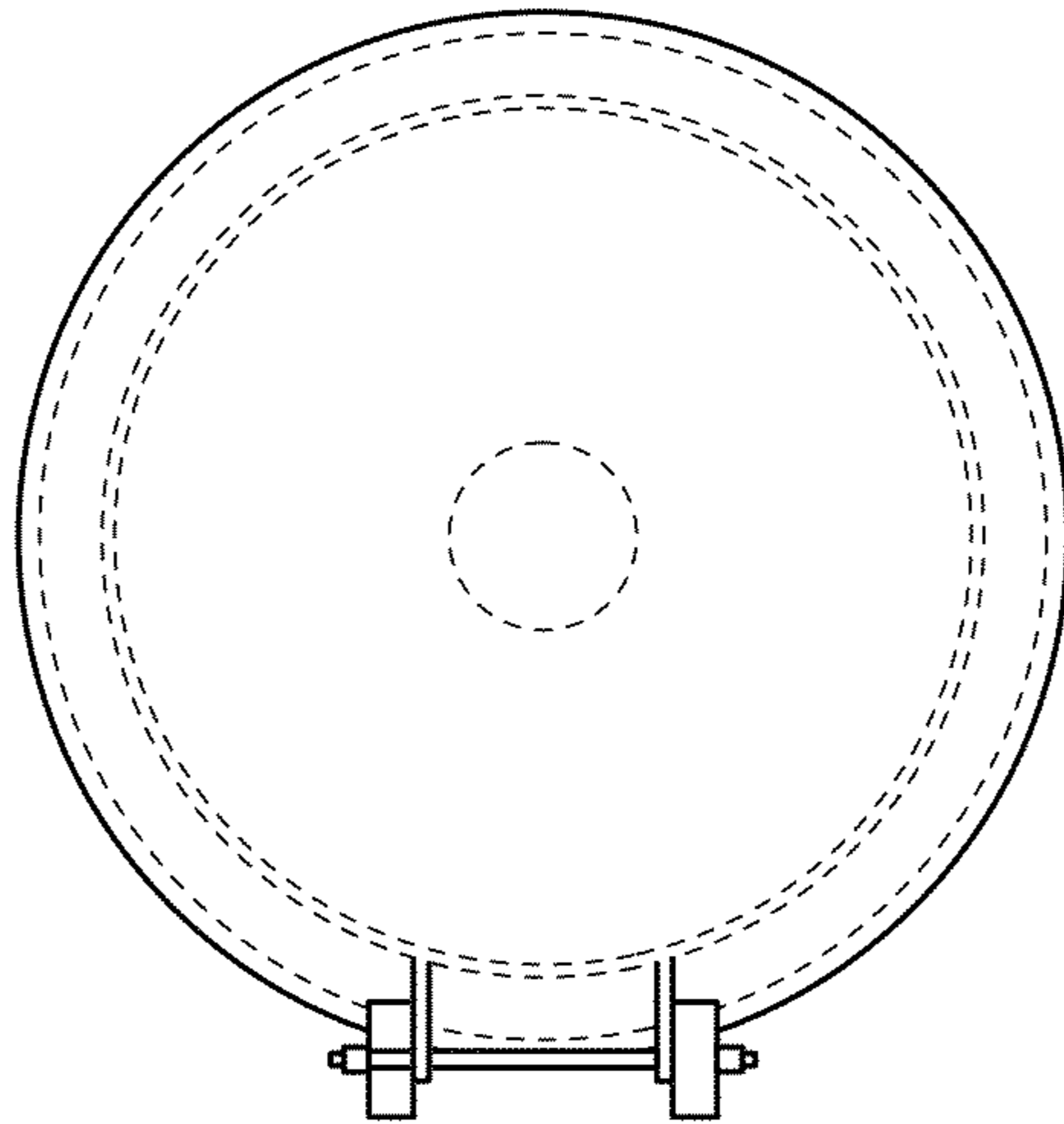


Figure 6