



US00D756495S

(12) **United States Design Patent**
Dana

(10) **Patent No.:** **US D756,495 S**
(45) **Date of Patent:** **** May 17, 2016**

(54) **ELECTRONIC BABY WIPE DISPENSER**

(71) Applicant: **Clarence Dana**, Houma, LA (US)

(72) Inventor: **Clarence Dana**, Houma, LA (US)

(**) Term: **14 Years**

(21) Appl. No.: **29/515,625**

(22) Filed: **Jan. 25, 2015**

(51) **LOC (10) Cl.** **23-03**

(52) **U.S. Cl.**

USPC **D23/314**

(58) **Field of Classification Search**

USPC D23/332, 314, 324, 328, 329, 341;
219/385, 439, 521; D6/518, 512, 515;
D7/631, 601

CPC A47K 2010/3293; A47K 2010/3266;
A47K 10/32; A47K 10/42; A47K 10/421;
A47K 10/426; A47K 2010/3233

See application file for complete search history.

(56) **References Cited**

U.S. PATENT DOCUMENTS

3,967,756	A *	7/1976	Barish	A47K 10/421	221/45
4,665,309	A *	5/1987	Derbyshire	B23K 1/0004	219/538
D362,493	S *	9/1995	Begum	D23/314	
D390,645	S *	2/1998	Hanrahan	D23/314	
6,179,162	B1	1/2001	Motsenbocker			
6,639,185	B1 *	10/2003	McConnell	A47K 10/421	219/386

7,318,949	B2	1/2008	Shadrach, III			
7,497,351	B2	3/2009	Amundson et al.			
8,044,325	B1 *	10/2011	Cooper	A47K 10/32	219/386
8,330,612	B2	12/2012	O'Neill et al.			
2006/0151513	A1	7/2006	Shadrach, III			
2007/0278242	A1	12/2007	Amundson et al.			
2007/0289988	A1 *	12/2007	Sosalla	A47K 10/421	221/150 A
2008/0223869	A1	9/2008	O'Neill et al.			
2013/0020346	A1	1/2013	Lee			
2014/0346065	A1 *	11/2014	Chijoff	A47J 39/00	206/233

* cited by examiner

Primary Examiner — T. Chase Nelson
Assistant Examiner — Ania Aman

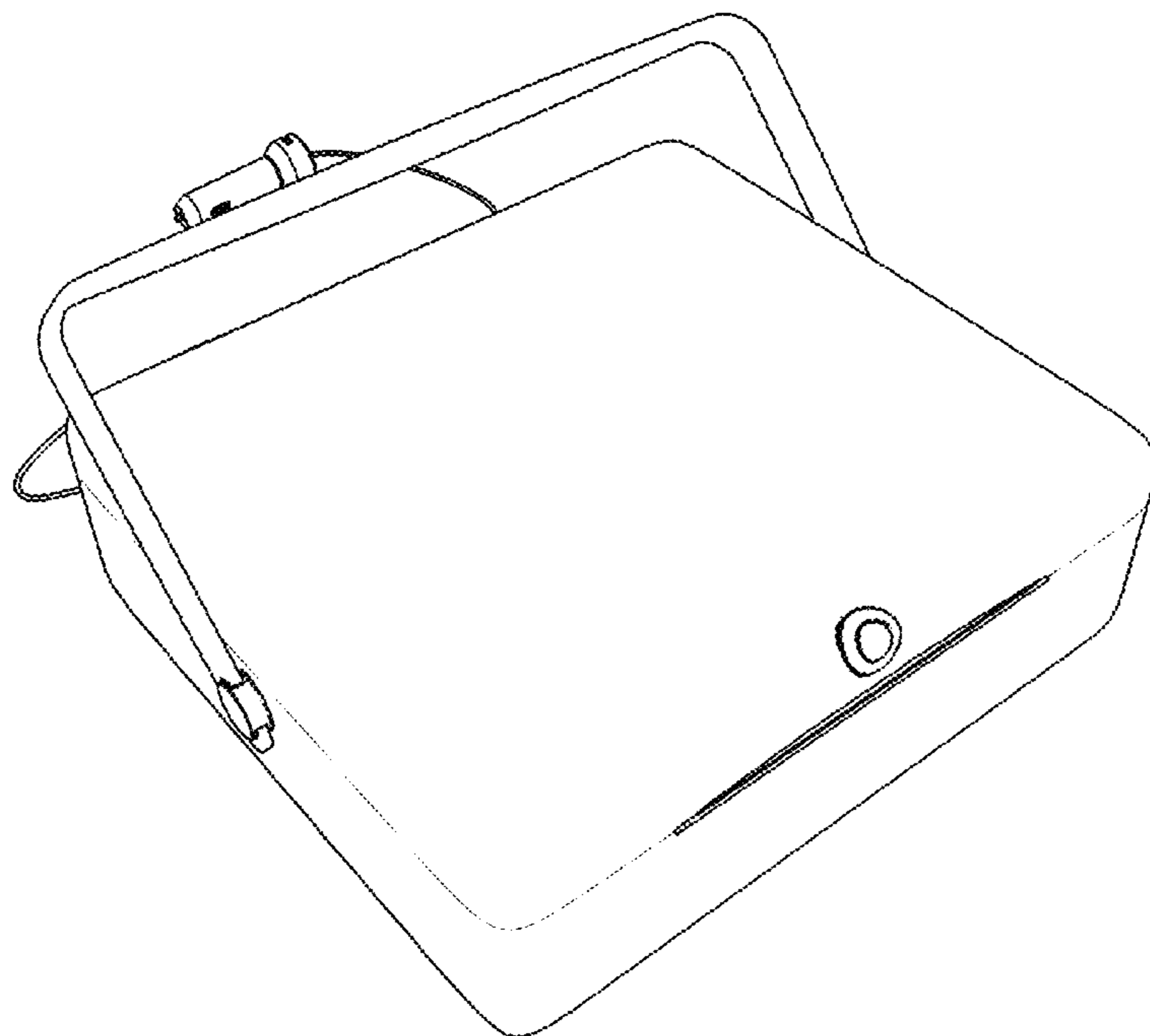
(57) **CLAIM**

The ornamental design for an electronic baby wipe dispenser, as shown and described.

DESCRIPTION

FIG. 1 is a front perspective view of an electronic baby wipe dispenser showing my new design;
FIG. 2 is a front elevation view thereof;
FIG. 3 is rear elevation view thereof;
FIG. 4 is a top elevation view thereof;
FIG. 5 is a bottom view thereof;
FIG. 6 is a right side elevation view thereof;
FIG. 7 is a left side elevation view thereof; and,
FIG. 8 is a rear bottom perspective view thereof.

1 Claim, 8 Drawing Sheets



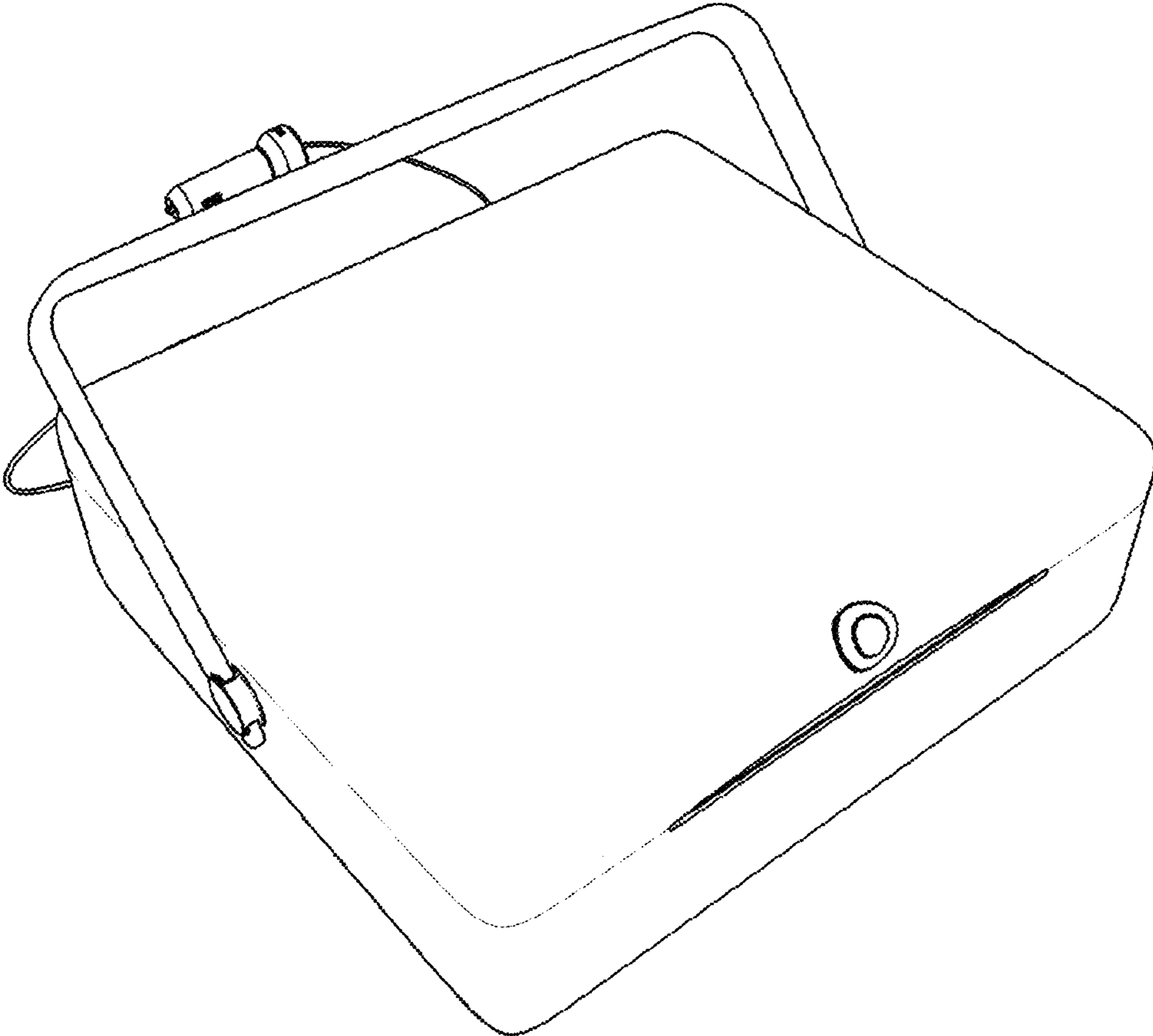


FIG. 1

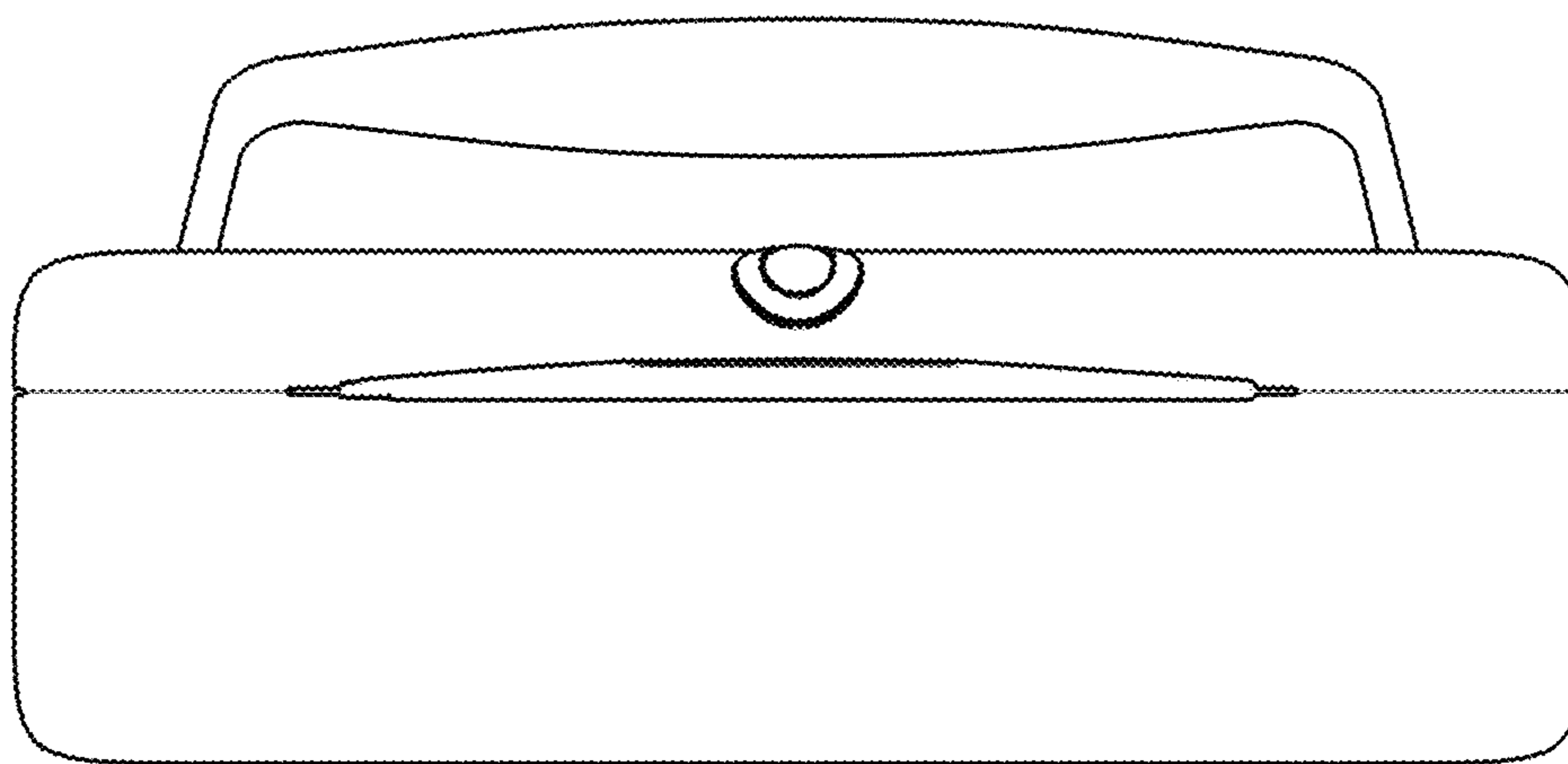


FIG. 2

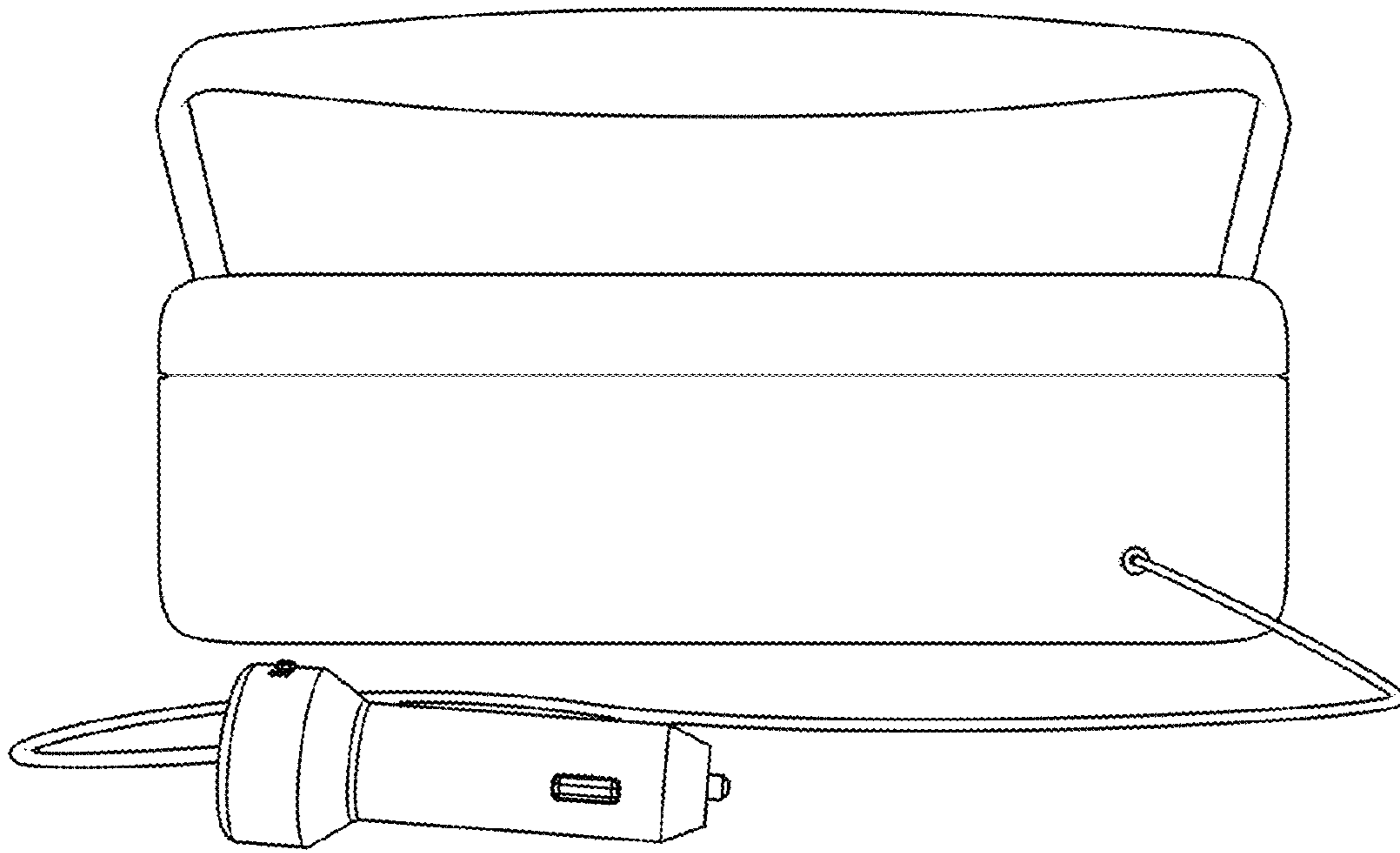


FIG. 3

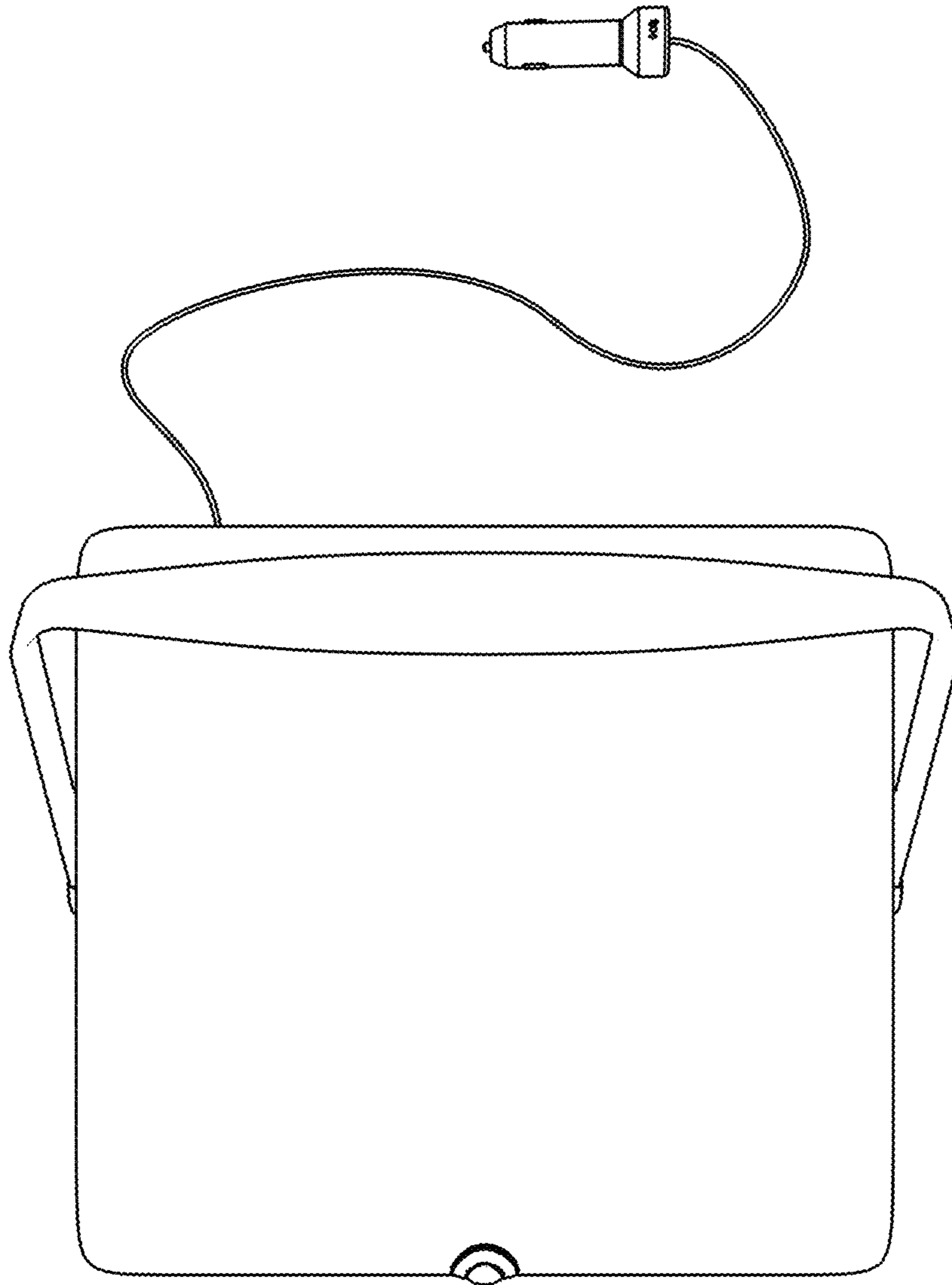


FIG. 4

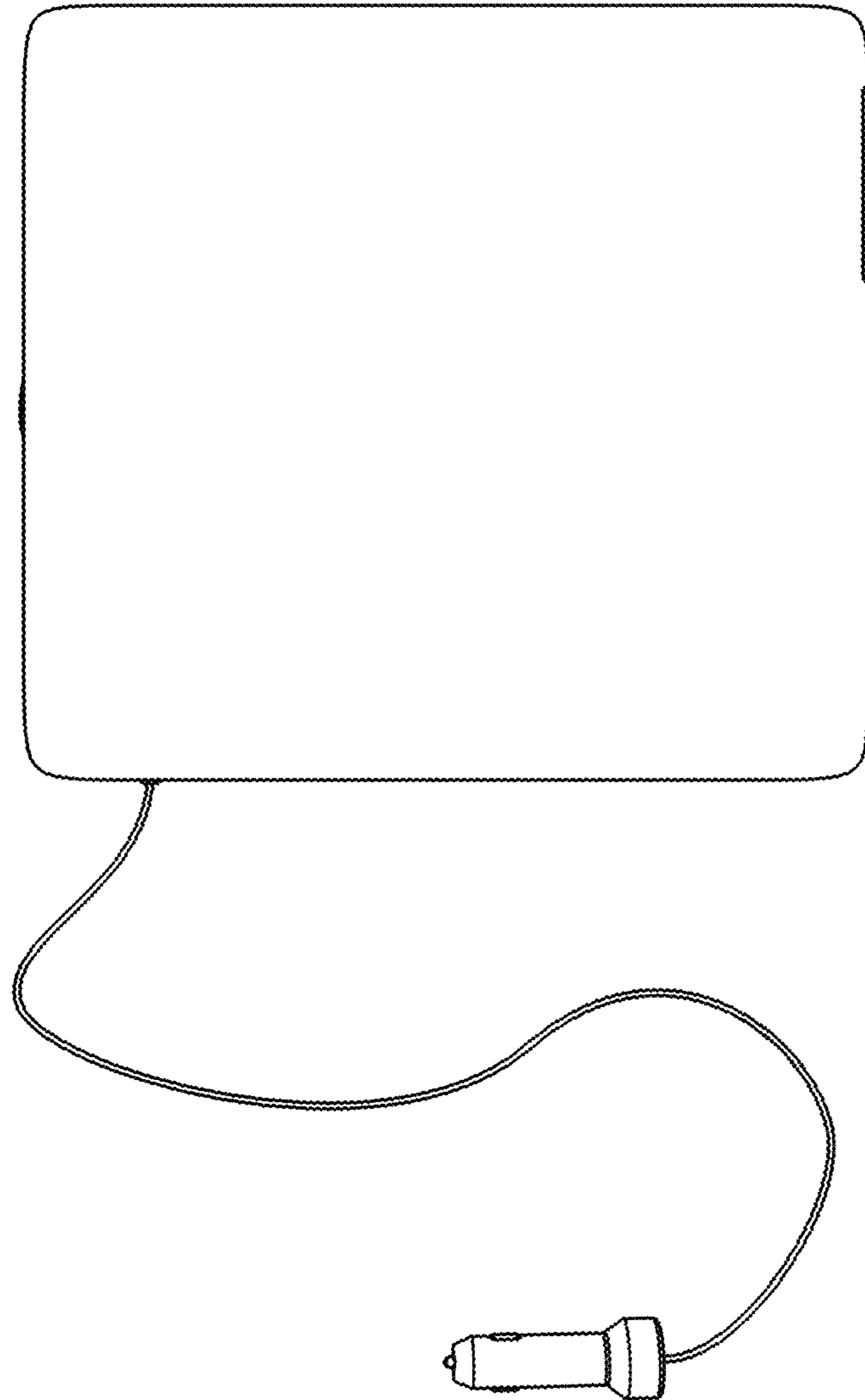


FIG. 5

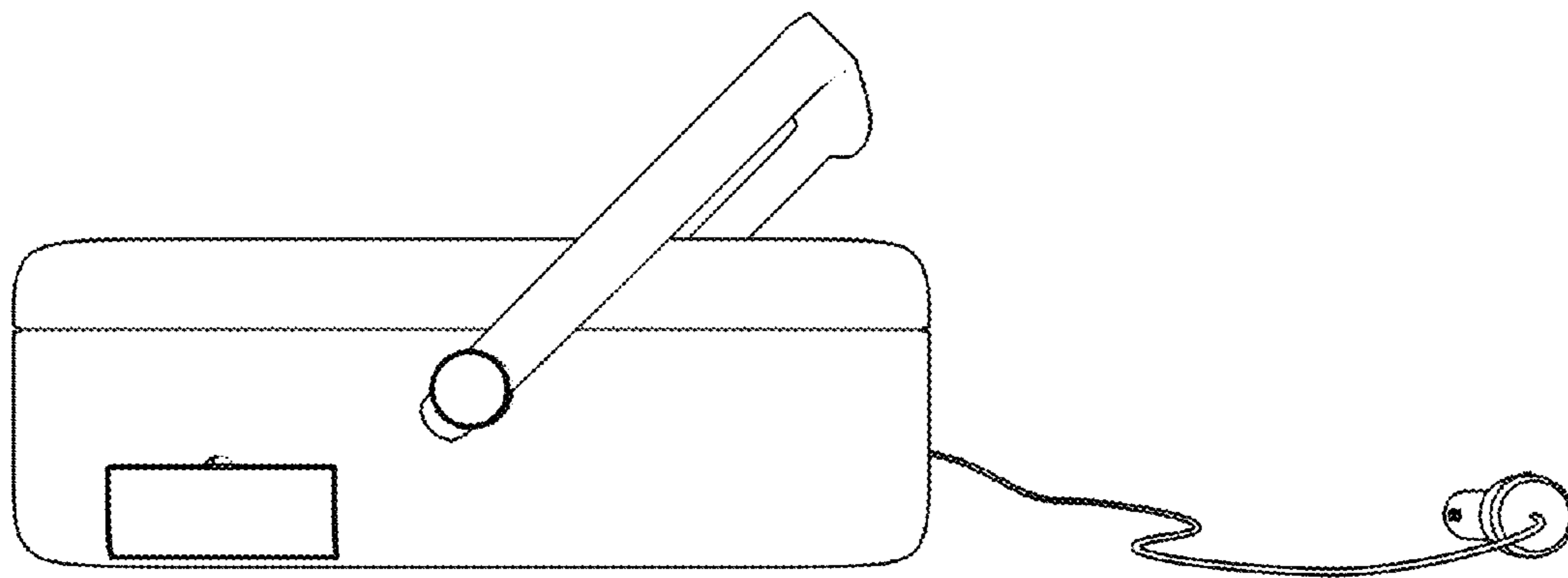


FIG. 6

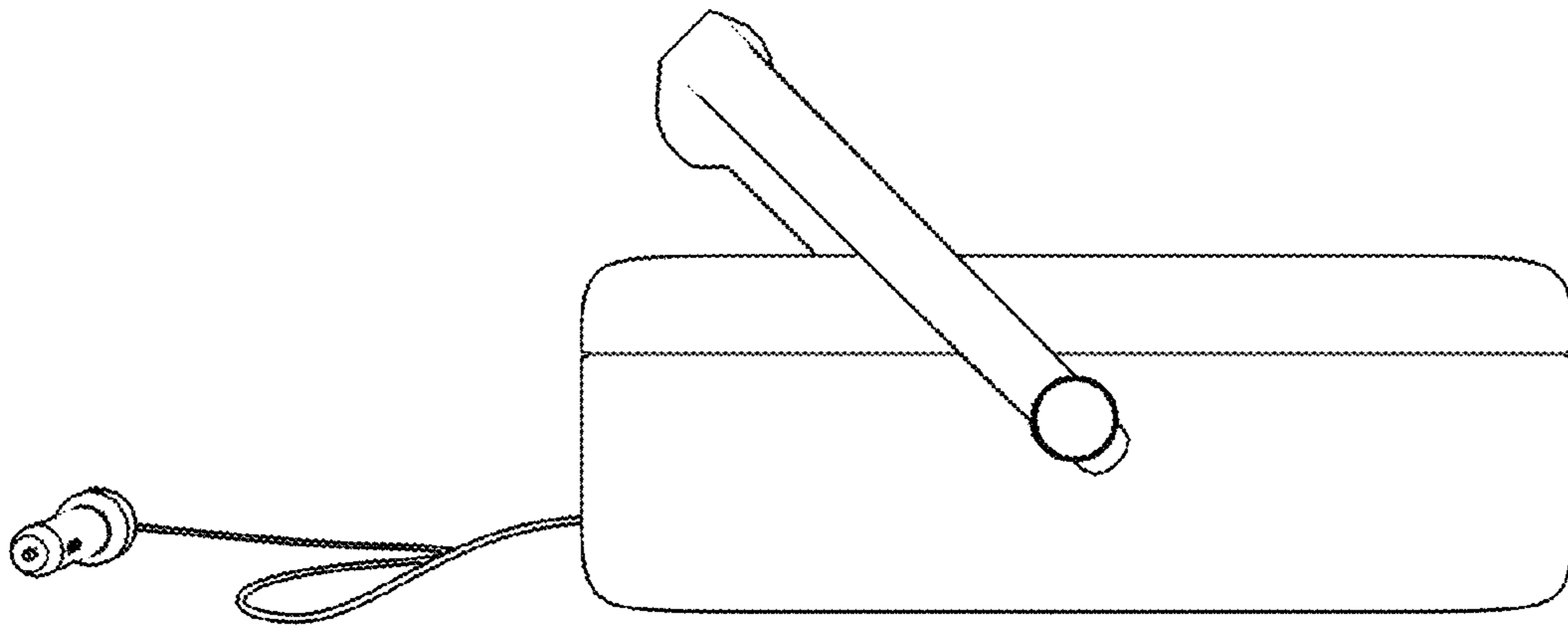


FIG. 7

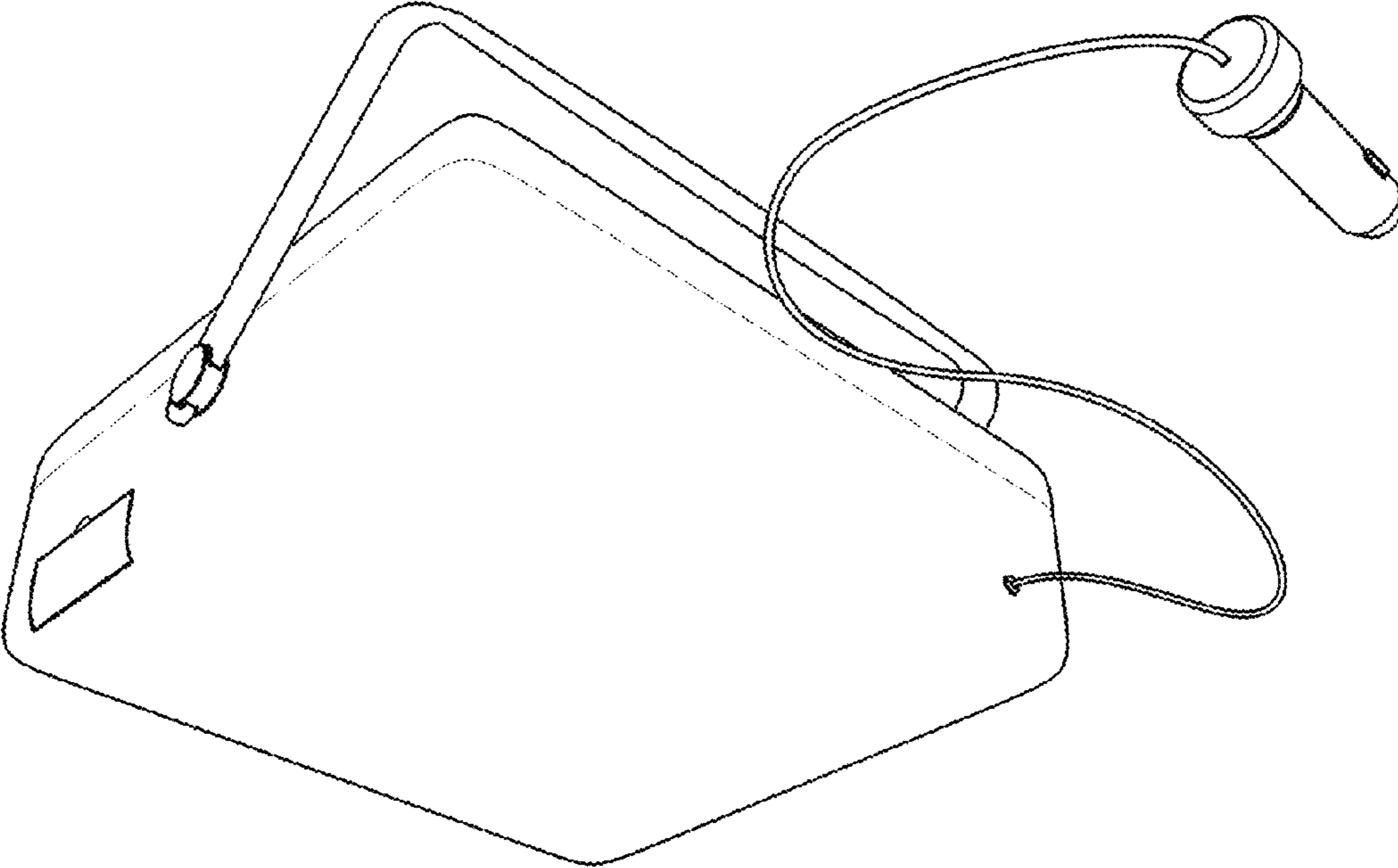


FIG. 8