



US00D756494S

(12) **United States Design Patent**
Gledhill et al.

(10) **Patent No.:** **US D756,494 S**
(45) **Date of Patent:** **** May 17, 2016**

(54) **TUBE COUPLING**

(71) Applicant: **Reliance Worldwide Corporation,**
Cullman, AL (US)

(72) Inventors: **Jeremy A. Gledhill,** Eltham (AU);
Martin Dowling, Harrogate (GB); **Peter**
D. Graham, Wakefield (GB)

(73) Assignee: **RELIANCE WORLDWIDE**
CORPORATION, Cullman, AL (US)

(**) Term: **14 Years**

(21) Appl. No.: **29/496,020**

(22) Filed: **Jul. 8, 2014**

(51) **LOC (10) Cl.** **23-01**

(52) **U.S. Cl.**
USPC **D23/262**

(58) **Field of Classification Search**
USPC D23/259–263, 266–269, 233; 251/215,
251/216; 285/369, 372, 373, 417, 133.11,
285/133.3, 133.21, 133.4, 133.5, 133.6
CPC F16L 11/00; F16L 37/252; F16L 41/007;
F16L 33/23; F16L 33/28; F16L 33/00; F16L
33/01; E03C 1/26; E03C 1/262; E03C 1/28;
E03F 5/04; A61B 5/00; A61M 25/09016
See application file for complete search history.

(56) **References Cited**

U.S. PATENT DOCUMENTS

1,325,468 A * 12/1919 Foster F16L 37/252
285/308
4,544,188 A * 10/1985 Dugger F16L 23/032
285/337
D327,120 S * 6/1992 Ambrosi D23/262
D483,095 S * 12/2003 Snyder, Sr. D23/262

D517,665 S * 3/2006 Wilk, Jr. D23/262
D524,427 S * 7/2006 Wilk, Jr. D23/262
D599,894 S * 9/2009 Price D23/262
D615,164 S * 5/2010 Zeyfang D23/260
D676,940 S 2/2013 Kluss et al.
D676,941 S 2/2013 Kluss et al.
D676,942 S 2/2013 Kluss et al.
D676,943 S 2/2013 Kluss et al.
D733,262 S * 6/2015 Kang D23/261
2006/0082072 A1 * 4/2006 Henry F16L 5/08
277/602
2008/0267709 A1 * 10/2008 Terry E02B 11/005
405/43

* cited by examiner

Primary Examiner — Sandra Snapp

(74) *Attorney, Agent, or Firm* — Bush Intellectual Property
Law; Kenneth M. Bush

(57) **CLAIM**

We claim the ornamental design for a tube coupling, as shown
and described.

DESCRIPTION

FIG. 1 is a front perspective view of a tube coupling showing
our new design;

FIG. 2 is a front elevation view thereof;

FIG. 3 is a rear elevation view thereof;

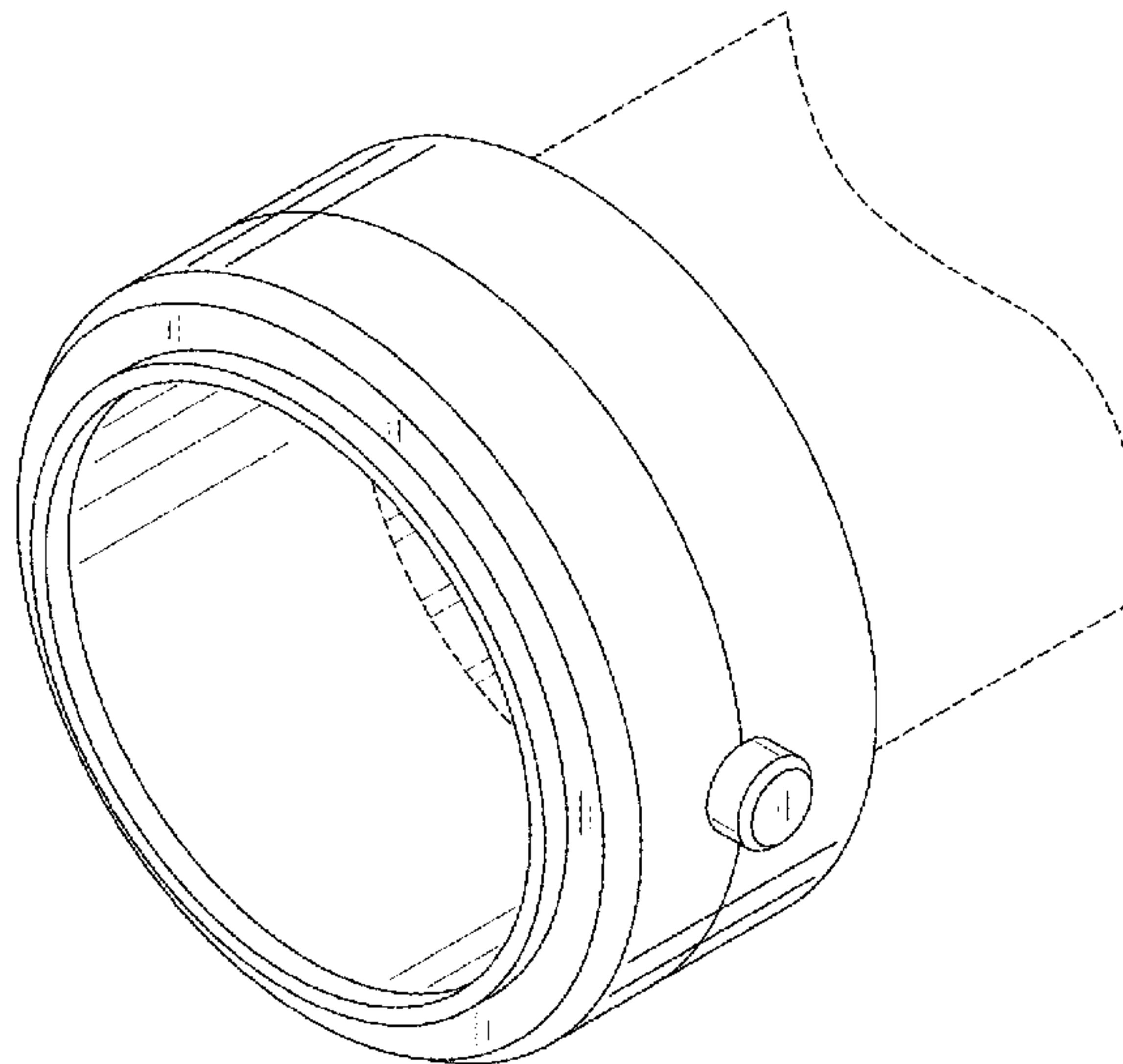
FIG. 4 is a right side elevation view thereof, the left side
elevation view being identical to the right side elevation view;
and,

FIG. 5 is a top plan view thereof, the bottom plan view being
identical to the top plan view.

In the drawings, the broken lines illustrate portions of the
article and form no part of the claimed design.

The ornamental design for a tube coupling having projections
extending radially therefrom.

1 Claim, 3 Drawing Sheets



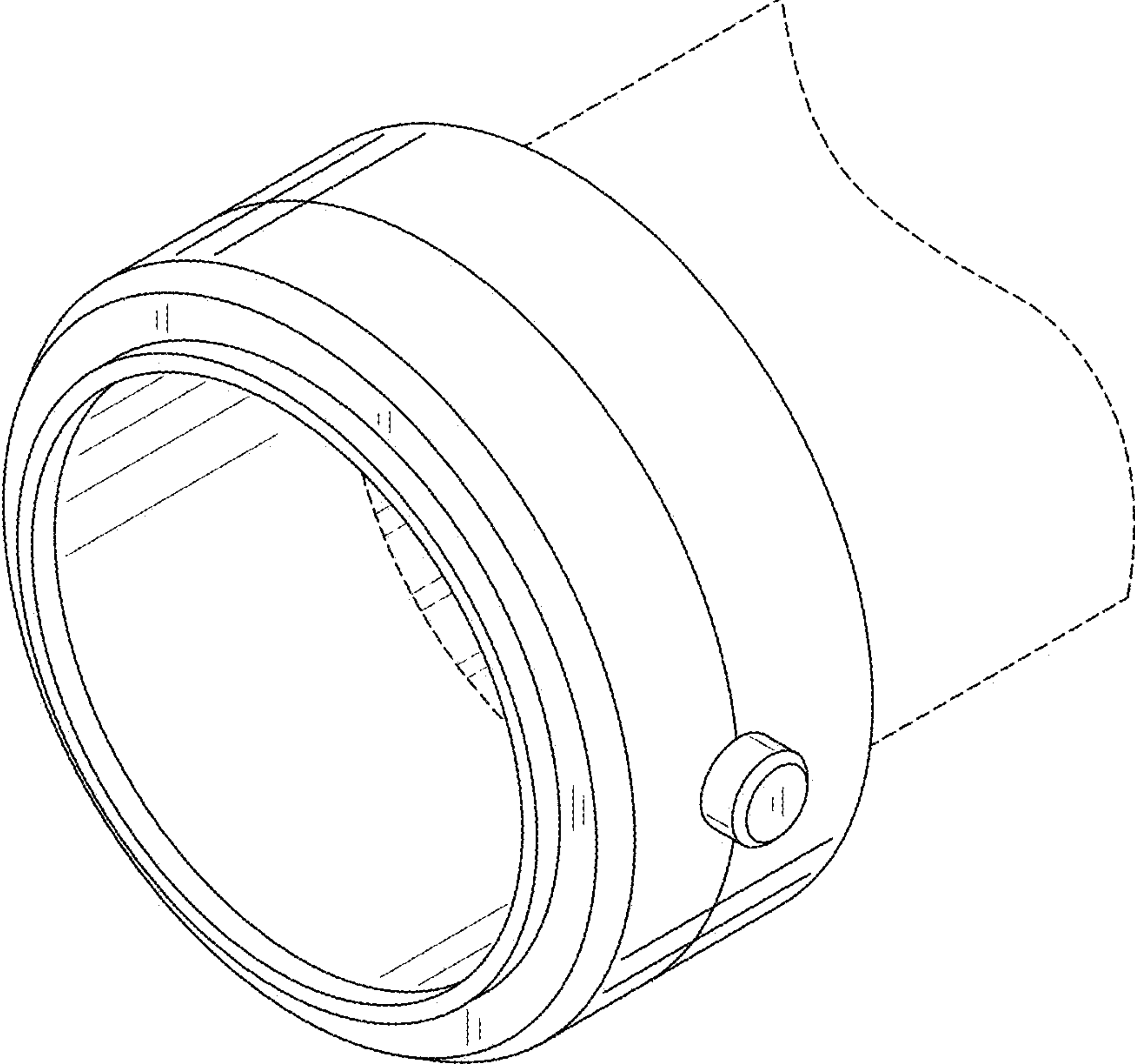


FIG. 1

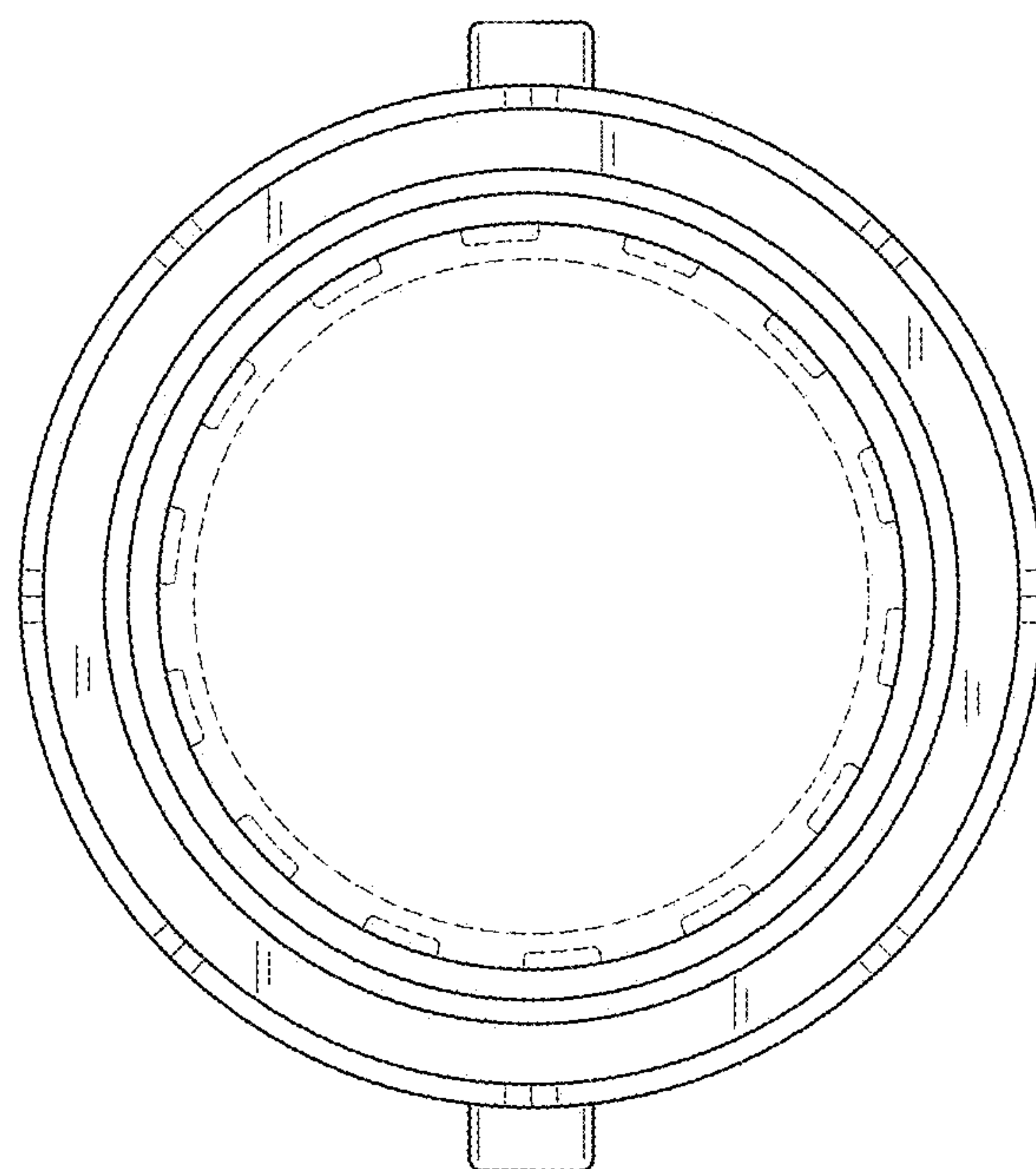


FIG. 2

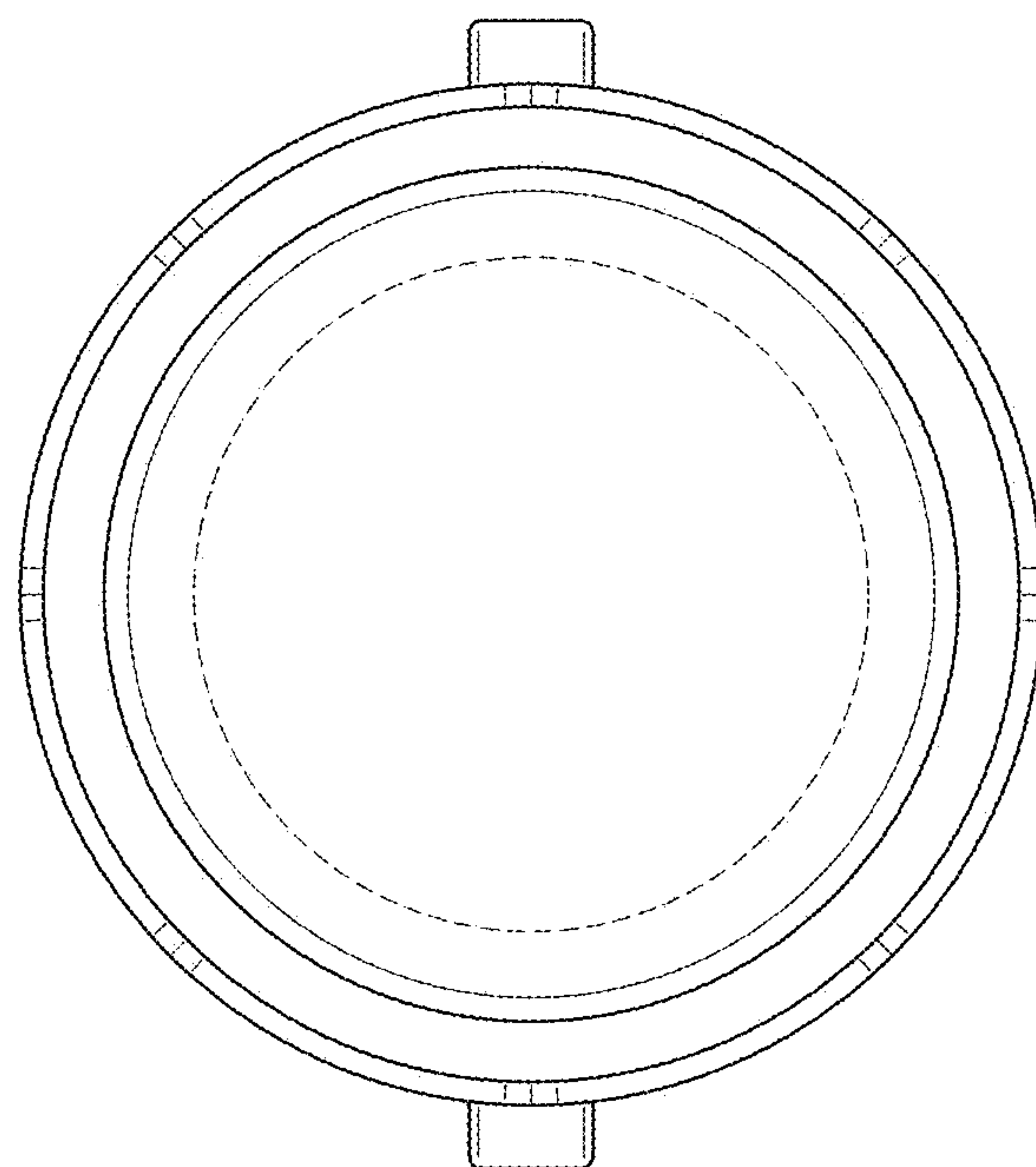


FIG. 3

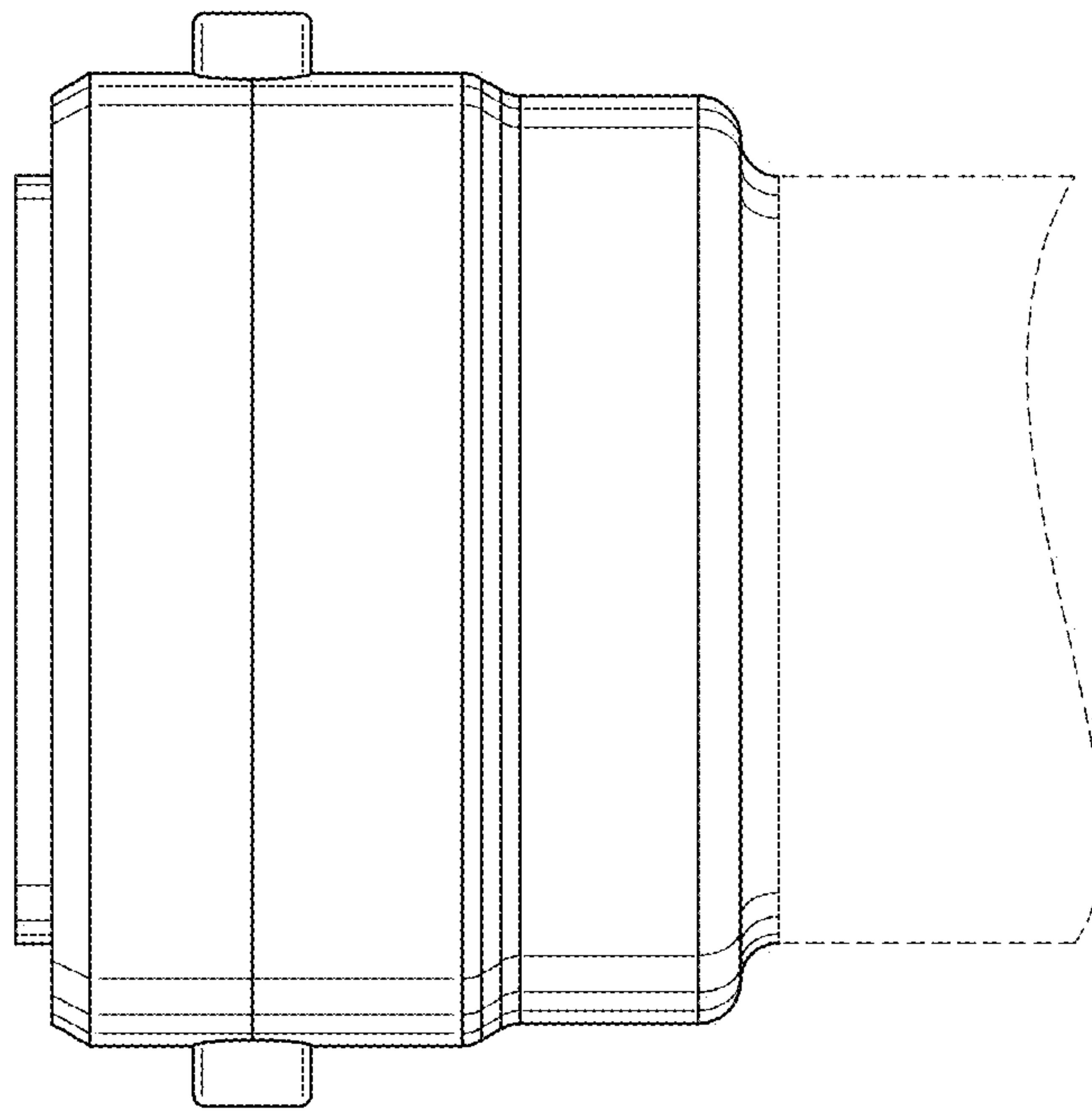


FIG. 4

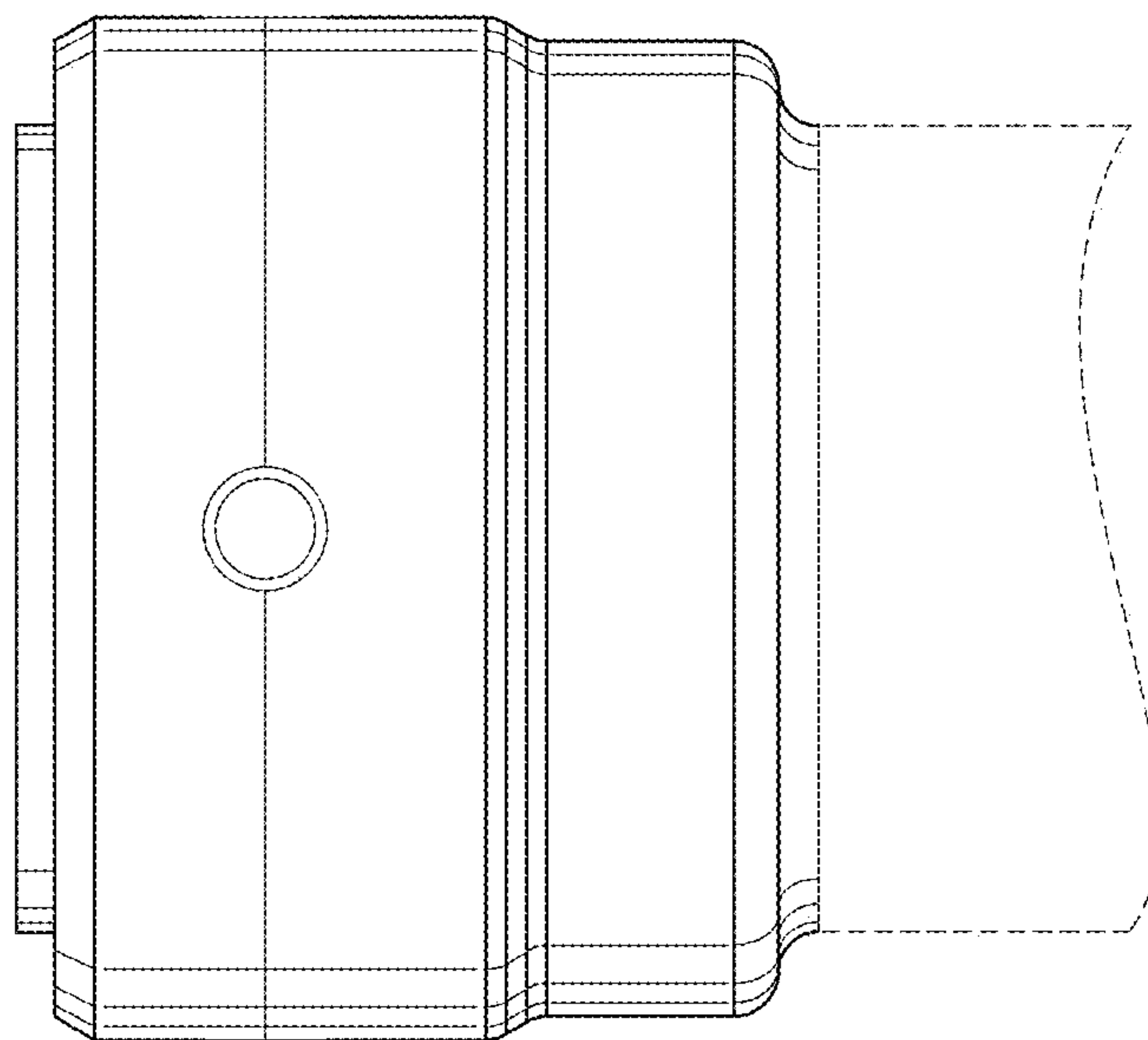


FIG. 5