



US00D756490S

(12) **United States Design Patent**
Crochet, Sr. et al.

(10) **Patent No.:** **US D756,490 S**
(45) **Date of Patent:** **** May 17, 2016**

(54) **BLEED RING BODY**

(71) Applicant: **Aegis Flow Technologies, L.L.C.**,
Geismar, LA (US)

(72) Inventors: **Kevin W. Crochet, Sr.**, Baton Rouge,
LA (US); **Norman Eger**, Baton Rouge,
LA (US); **Sidney A. Rovira**, St. Amant,
LA (US)

(73) Assignee: **Aegis Flow Technologies, L.L.C.**,
Geismar, LA (US)

(**) Term: **14 Years**

(21) Appl. No.: **29/453,263**

(22) Filed: **Apr. 26, 2013**

(51) **LOC (10) Cl.** **23-01**

(52) **U.S. Cl.**
USPC **D23/259**

(58) **Field of Classification Search**
USPC D23/233, 245, 259–269; 285/86–93
See application file for complete search history.

(56) **References Cited**

U.S. PATENT DOCUMENTS

D16,160	S	*	7/1885	Crane	D23/265
2,303,311	A	*	11/1942	Gredell	285/331
D198,885	S	*	8/1964	Gifford	D23/244
D198,886	S	*	8/1964	Gifford	D23/244
3,979,804	A	*	9/1976	McCormick	403/34
D251,255	S	*	3/1979	Hansen et al.	D23/244
D284,022	S	*	5/1986	Milot et al.	D23/265
D294,384	S	*	2/1988	Endo et al.	D23/265
D335,526	S	*	5/1993	Biltoft et al.	D23/233
D366,879	S	*	2/1996	Henderson	D14/249
5,743,558	A	*	4/1998	Seymour	280/739
5,749,607	A	*	5/1998	Carr	285/93

6,017,056	A	*	1/2000	Lee	280/739
6,374,723	B1	*	4/2002	Cook et al.	92/86
D473,902	S	*	4/2003	Panno	D21/561
D481,299	S	*	10/2003	Fujioka	D8/382
D504,809	S	*	5/2005	Sato et al.	D8/382
6,948,717	B1	*	9/2005	Carr	277/609
D513,471	S	*	1/2006	Sato et al.	D8/382
D563,213	S	*	3/2008	Sato et al.	D8/382
D572,578	S	*	7/2008	Sato et al.	D8/382
7,942,452	B2	*	5/2011	Carns et al.	285/93
D654,092	S	*	2/2012	Lugli et al.	D15/5
D704,306	S	*	5/2014	Watson et al.	D23/249
D715,901	S	*	10/2014	Antoniello	D23/259
2003/0220146	A1	*	11/2003	Bonninger et al.	464/73

* cited by examiner

Primary Examiner — Kevin Rudzinski

Assistant Examiner — John Reickel

(74) *Attorney, Agent, or Firm* — Roy Kiesel Ford Doody & Thurmon

(57) **CLAIM**

The ornamental design for a bleed ring body, as shown and described.

DESCRIPTION

FIG. 1 is a three-quarter front perspective view of the bleed ring body.

FIG. 2 is a front view of the bleed ring body.

FIG. 3 is a back view of the bleed ring body.

FIG. 4 is a side view of one side of the bleed ring body.

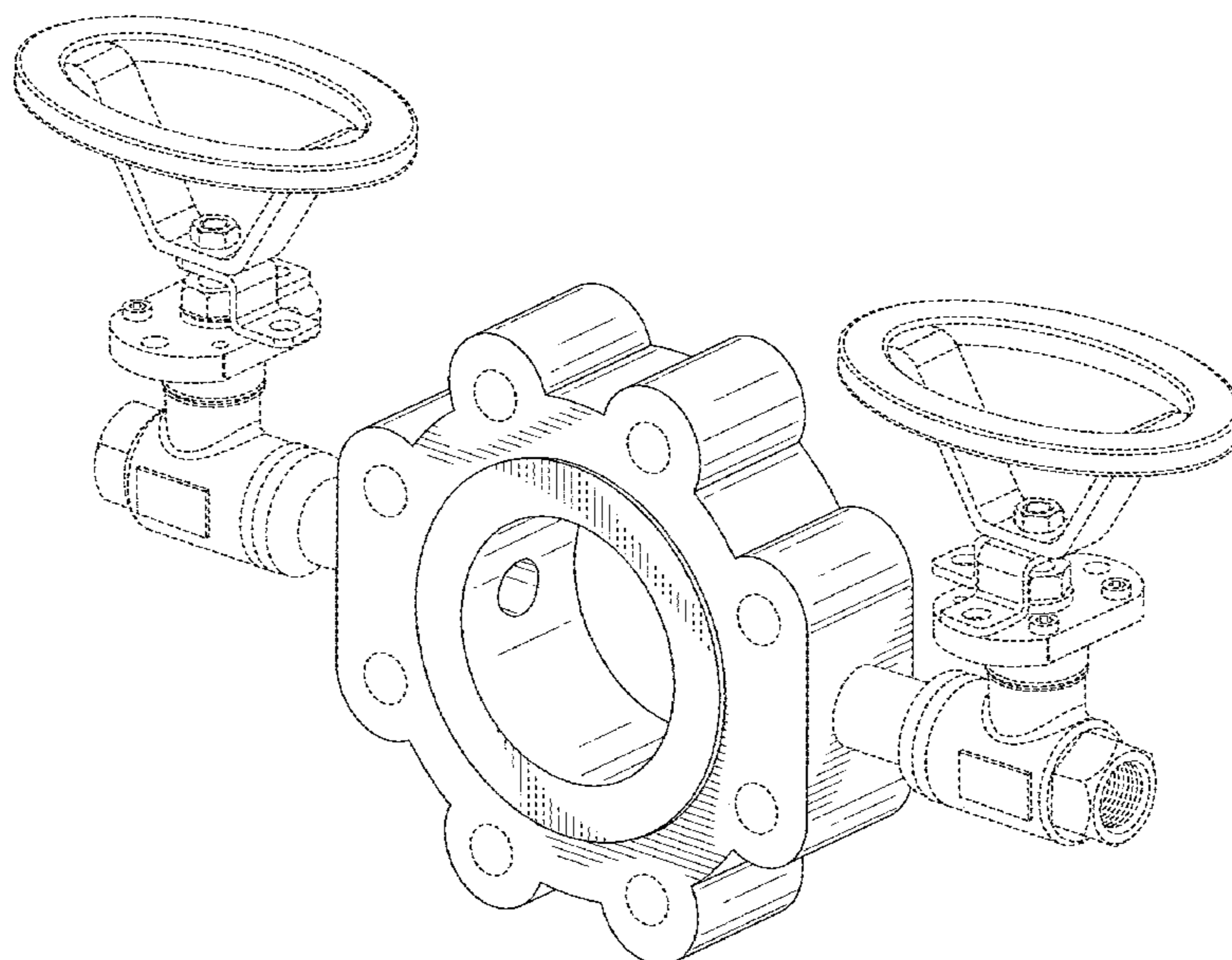
FIG. 5 is a side view of the opposite side of the bleed ring body.

FIG. 6 is a top view of the bleed ring body; and,

FIG. 7 is a bottom view of the bleed ring body.

The broken line showing of the assembly is included for the purpose of illustrating environmental structure and forms no part of the claimed design.

1 Claim, 5 Drawing Sheets



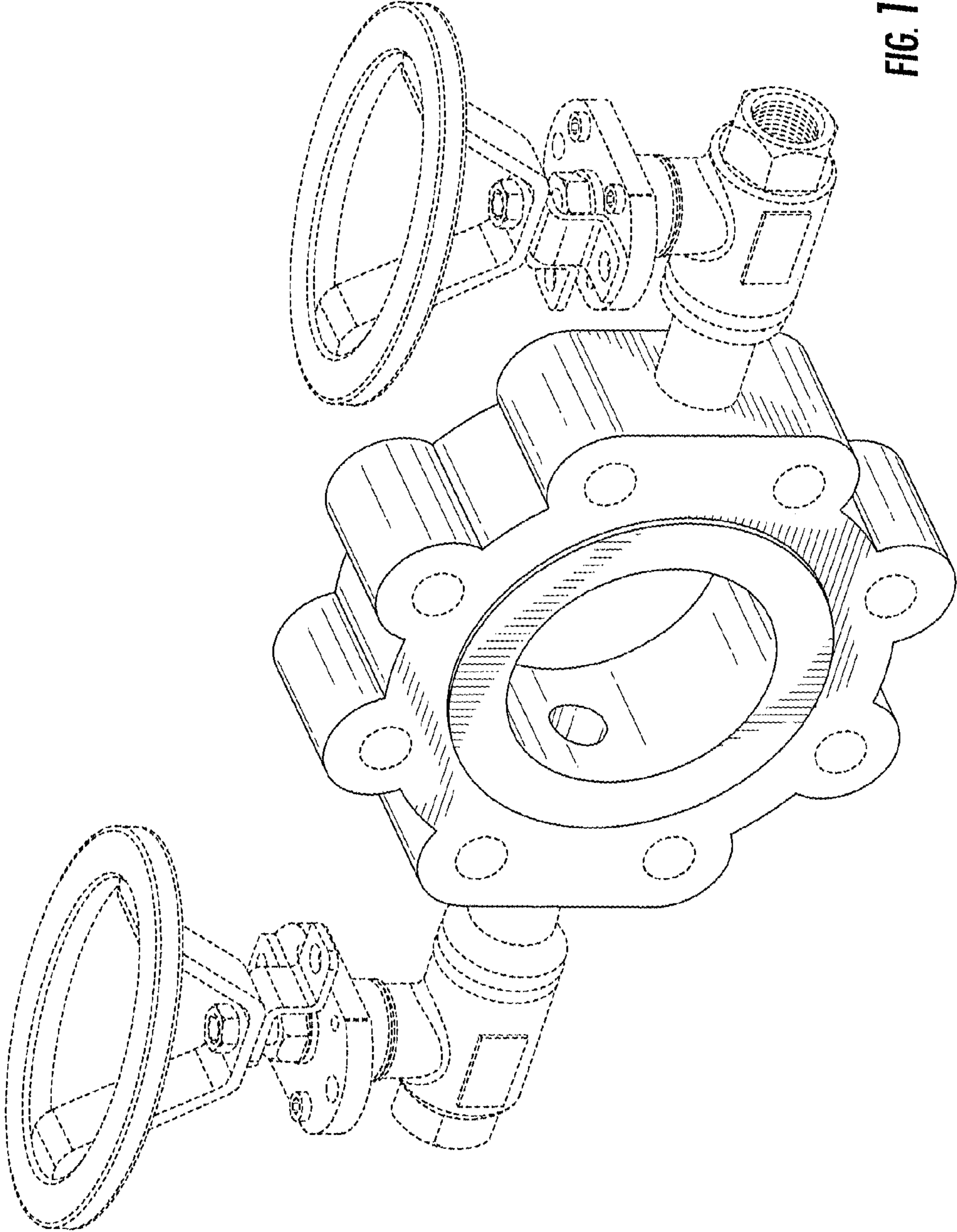


FIG. 1

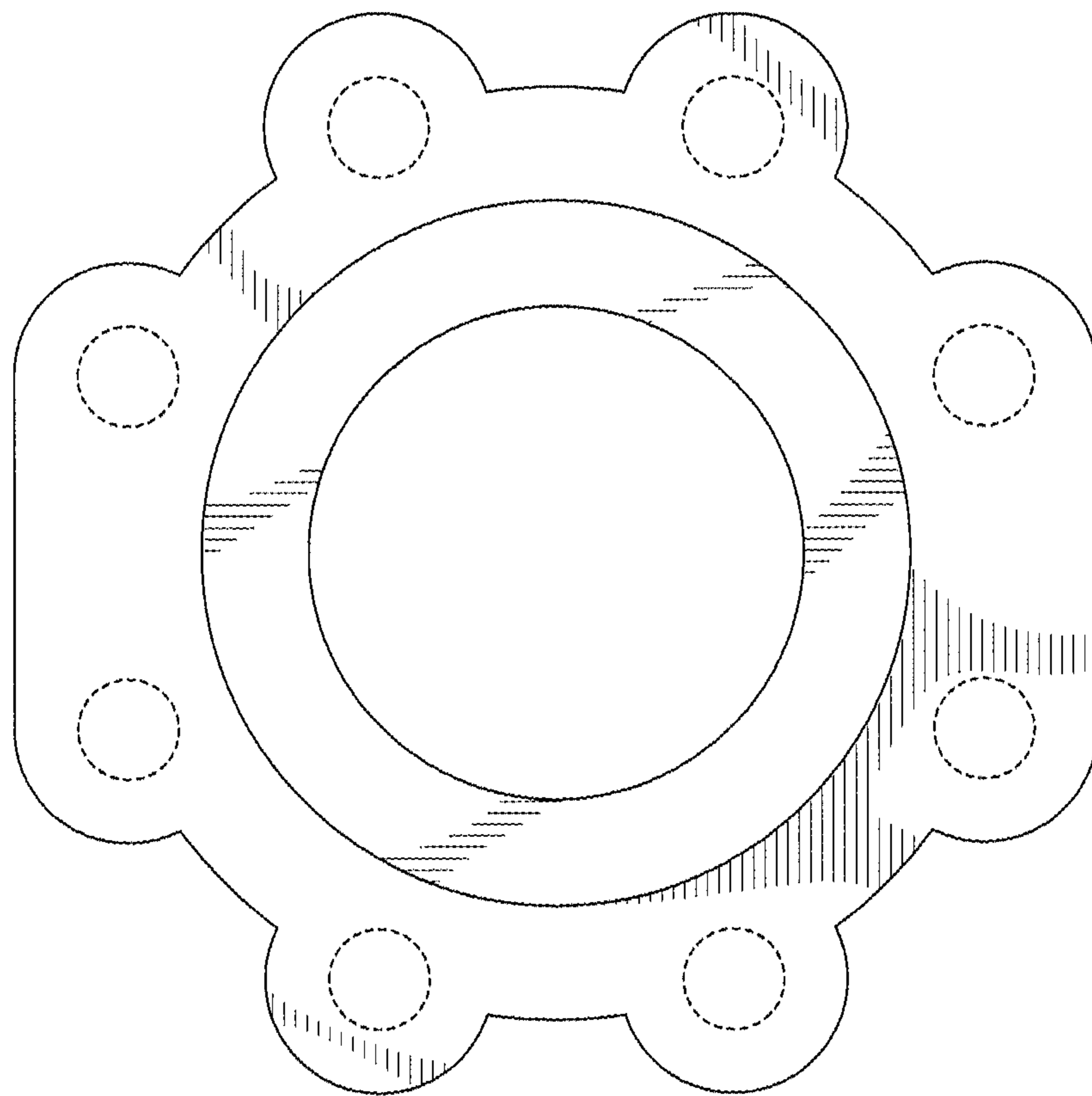


FIG. 2

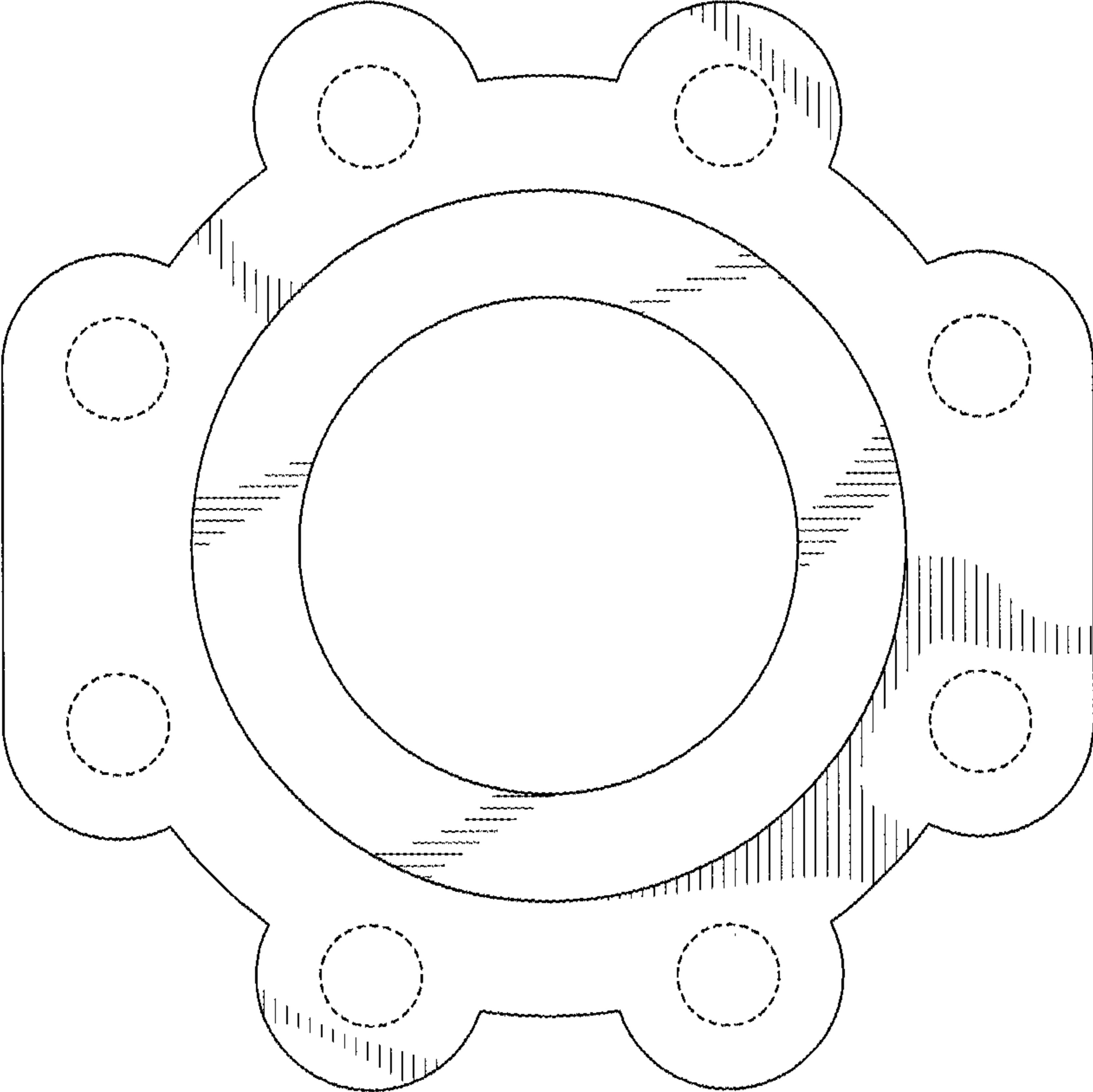


FIG. 3

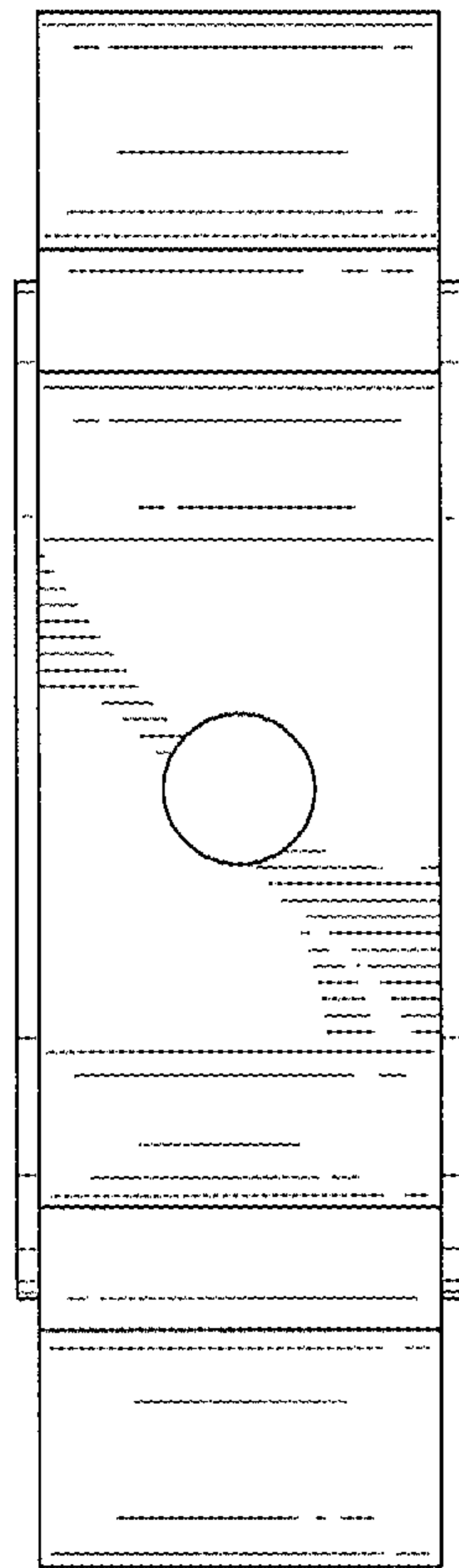


FIG. 4

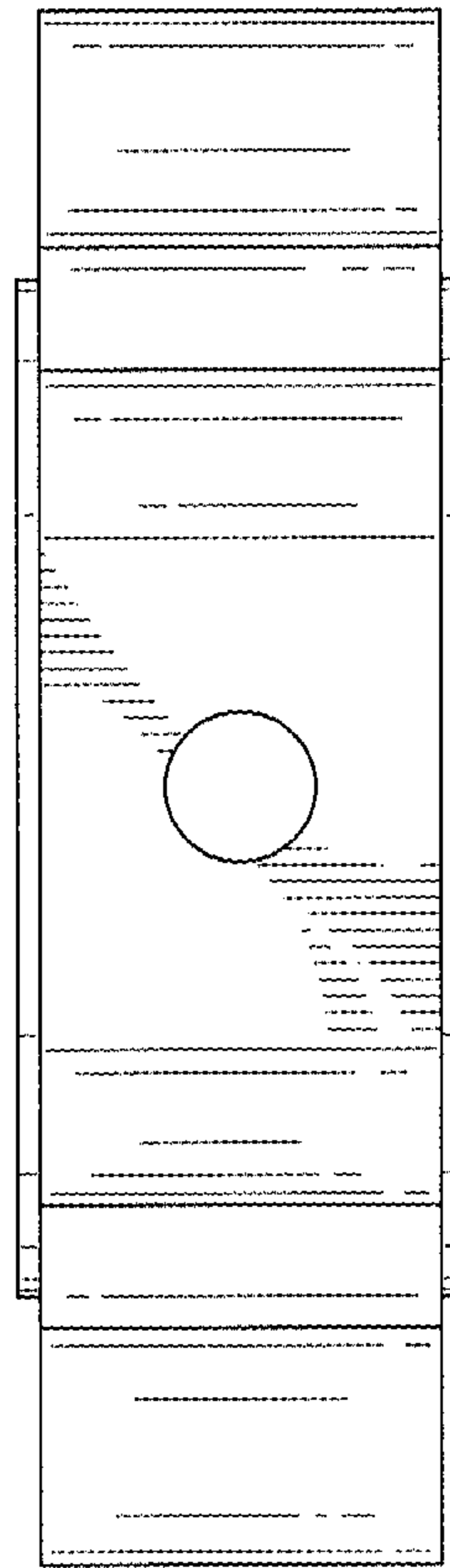


FIG. 5

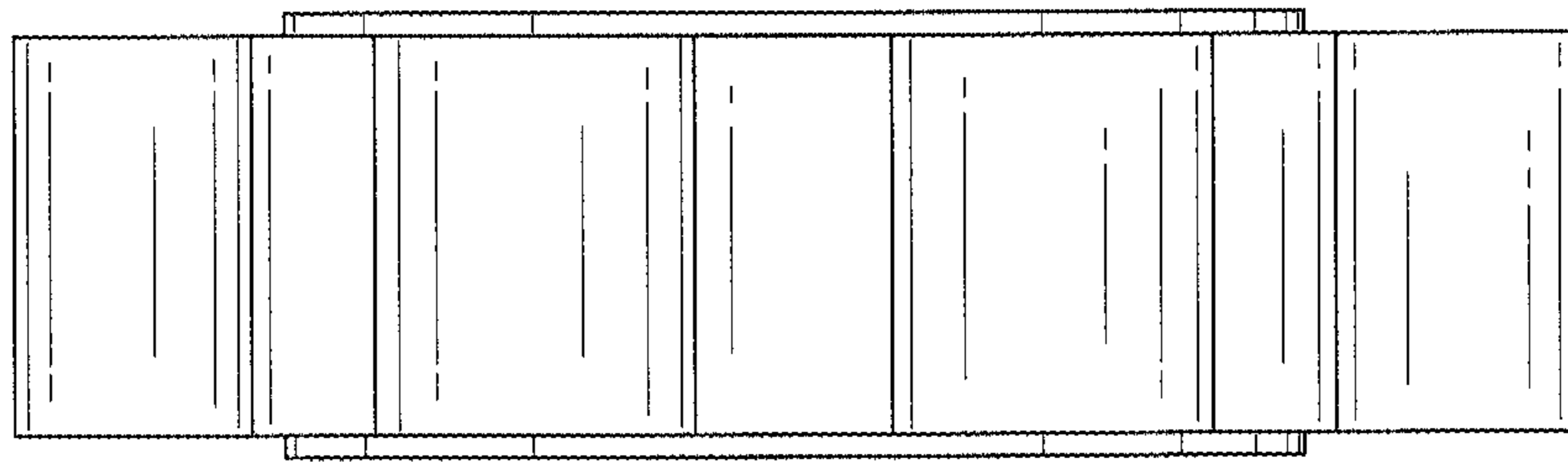


FIG. 6

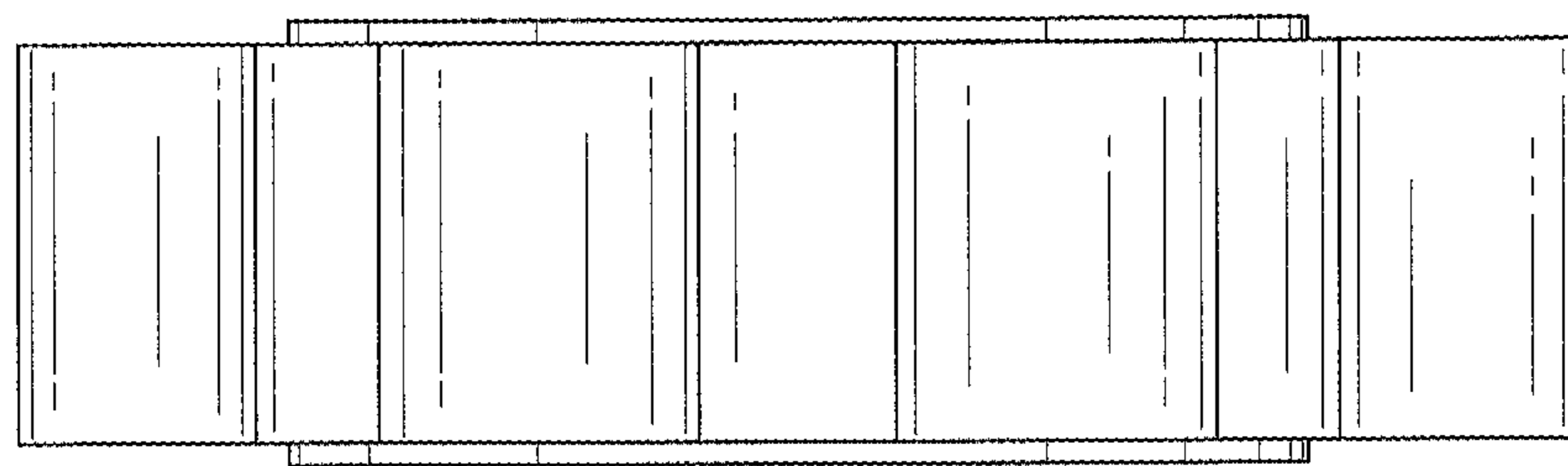


FIG. 7