

US00D756489S

(12) **United States Design Patent**  
**Bahler**

(10) **Patent No.:** **US D756,489 S**

(45) **Date of Patent:** **\*\* May 17, 2016**

(54) **FAUCET SPOUT**

(71) Applicant: **Delta Faucet Company**, Indianapolis, IN (US)

(72) Inventor: **Jordan Renee Bahler**, Frankfort, IN (US)

(73) Assignee: **DELTA FAUCET COMPANY**, Indianapolis, IN (US)

(\*\*) Term: **14 Years**

(21) Appl. No.: **29/514,056**

(22) Filed: **Jan. 8, 2015**

(51) **LOC (10) Cl.** ..... **23-01**

(52) **U.S. Cl.**  
USPC ..... **D23/257**

(58) **Field of Classification Search**  
USPC ..... D23/238-273  
CPC ..... E03C 1/04; E03C 1/0401; E03C 1/0402;  
E03C 1/0404

See application file for complete search history.

(56) **References Cited**

U.S. PATENT DOCUMENTS

D243,608 S *	3/1977	Mono	.....	D23/238
D461,539 S *	8/2002	Gottwald	.....	D23/255
D582,009 S *	12/2008	Citterio	.....	D23/238
D593,184 S *	5/2009	Gloor	.....	D23/238
D741,453 S *	10/2015	Bahler	.....	D23/238

\* cited by examiner

*Primary Examiner* — Robert Delehanty

(74) *Attorney, Agent, or Firm* — Edgar A. Zarins; Nirav D. Parikh

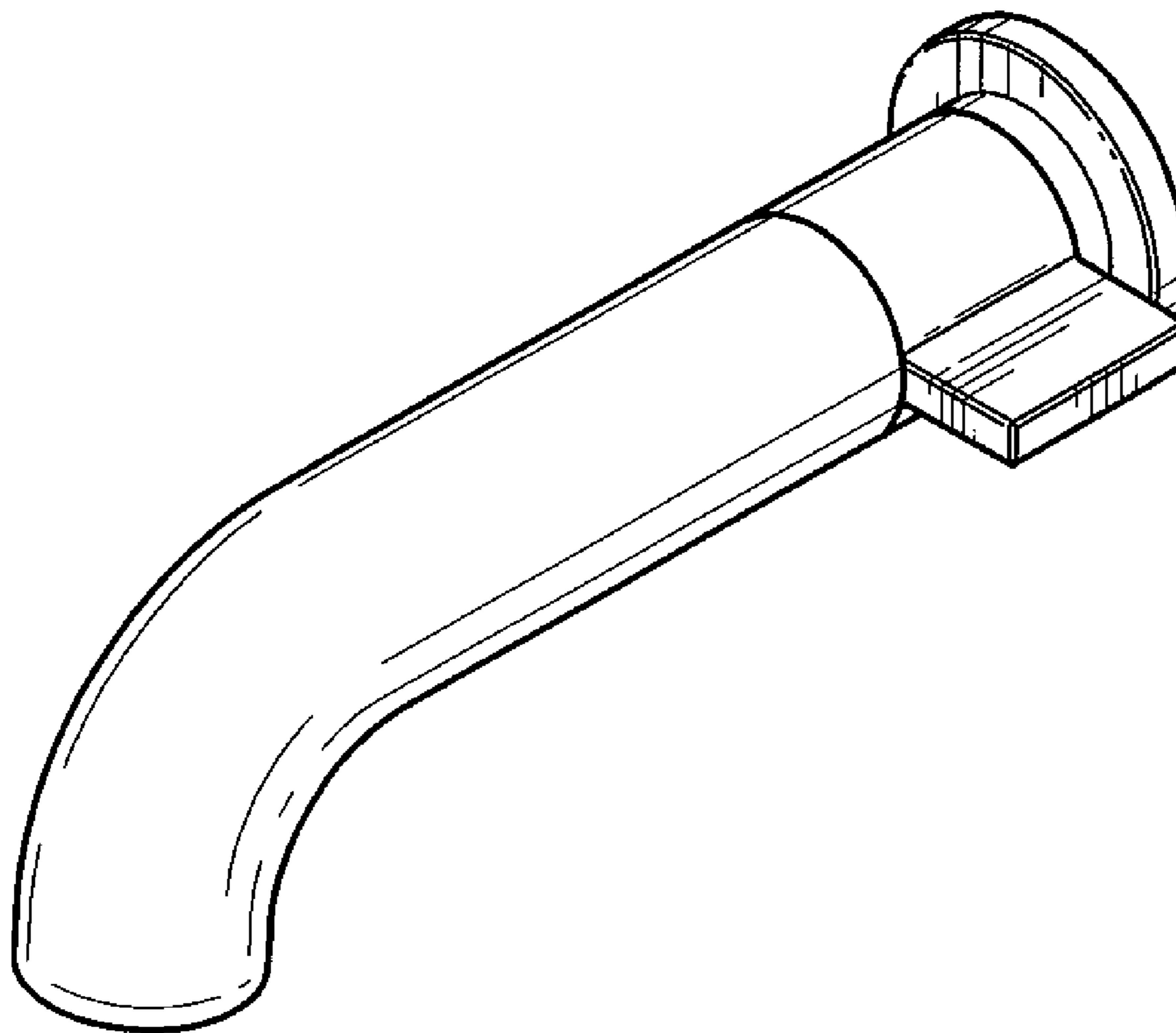
(57) **CLAIM**

The ornamental design for a faucet spout, as shown and described.

**DESCRIPTION**

FIG. 1 is a perspective view of a faucet spout showing my new design;  
FIG. 2 is a top plan view thereof;  
FIG. 3 is a left side view thereof;  
FIG. 4 is a bottom view thereof;  
FIG. 5 is a right side view thereof;  
FIG. 6 is a front end view thereof; and,  
FIG. 7 is a rear end view thereof.

**1 Claim, 1 Drawing Sheet**



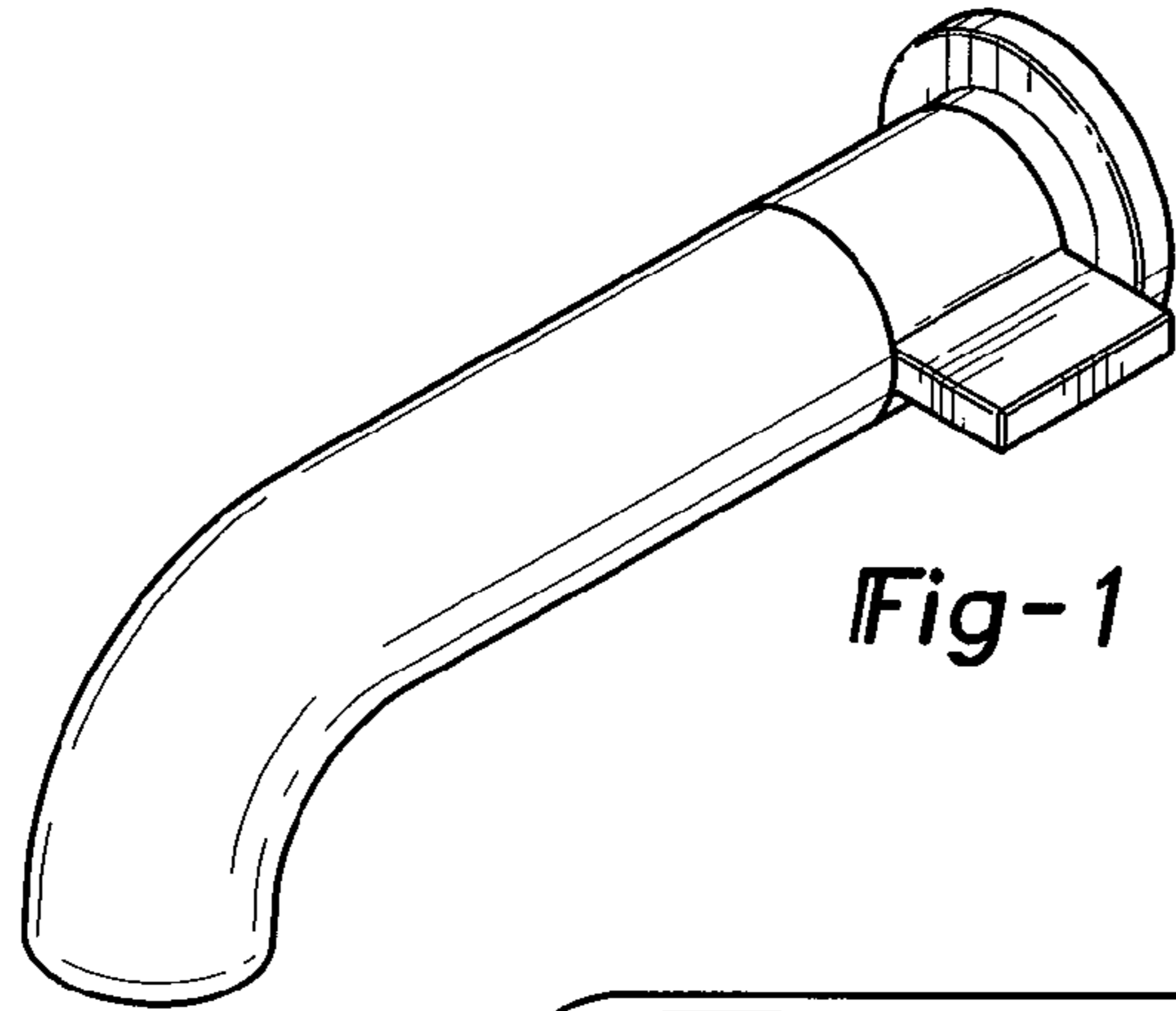


Fig-1

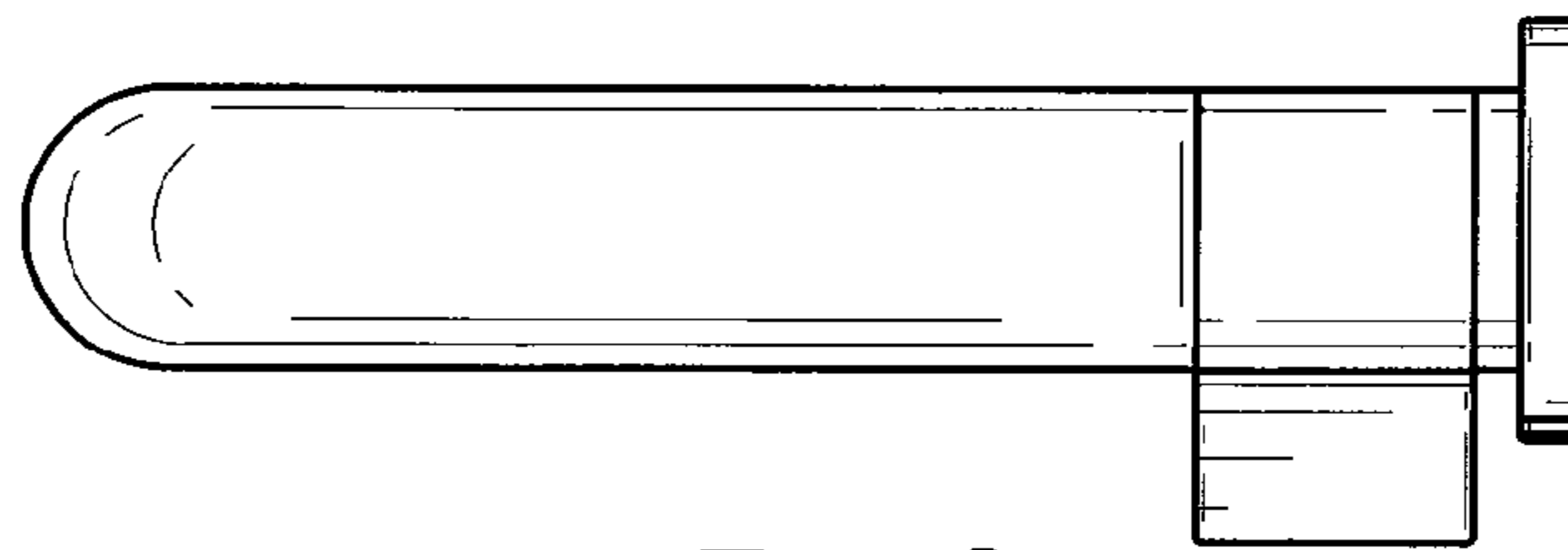


Fig-2

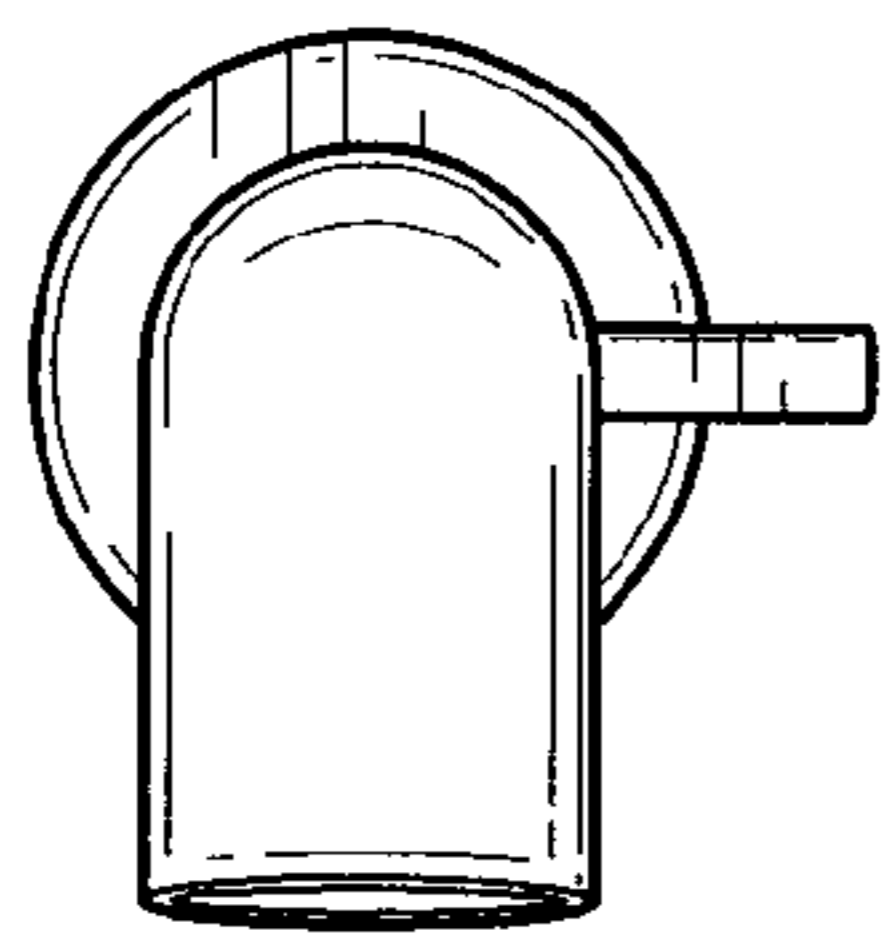


Fig-6

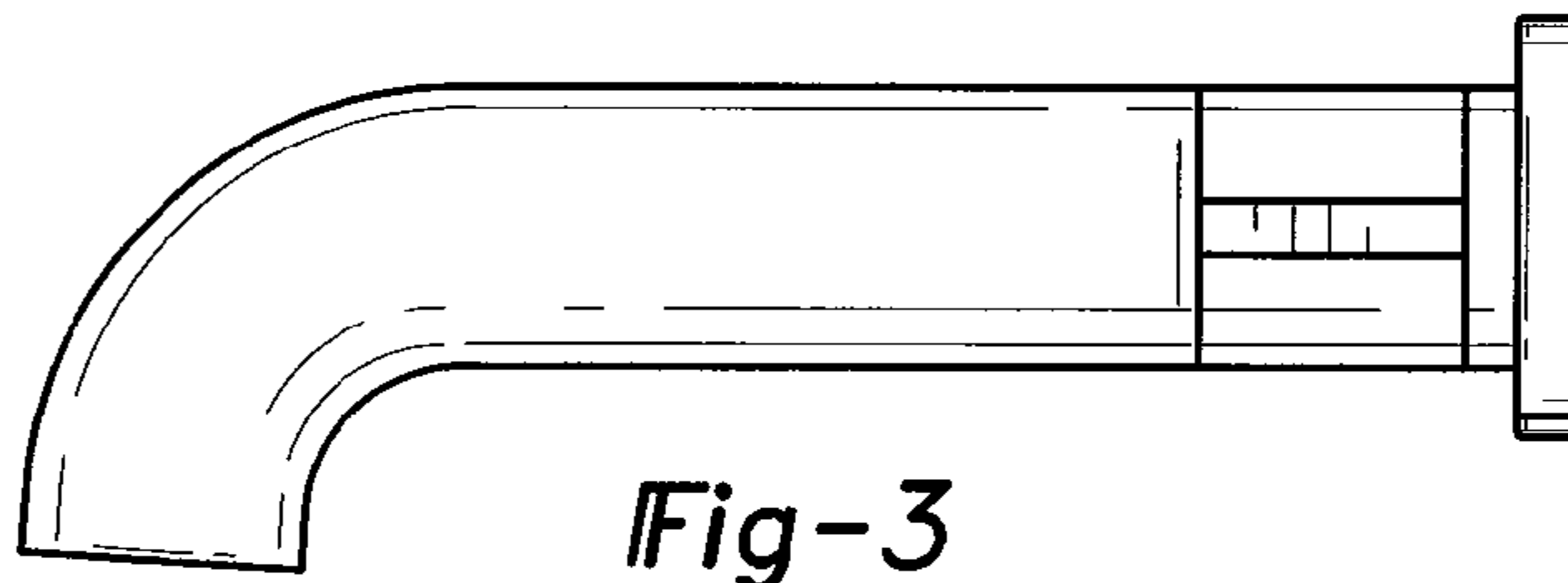


Fig-3

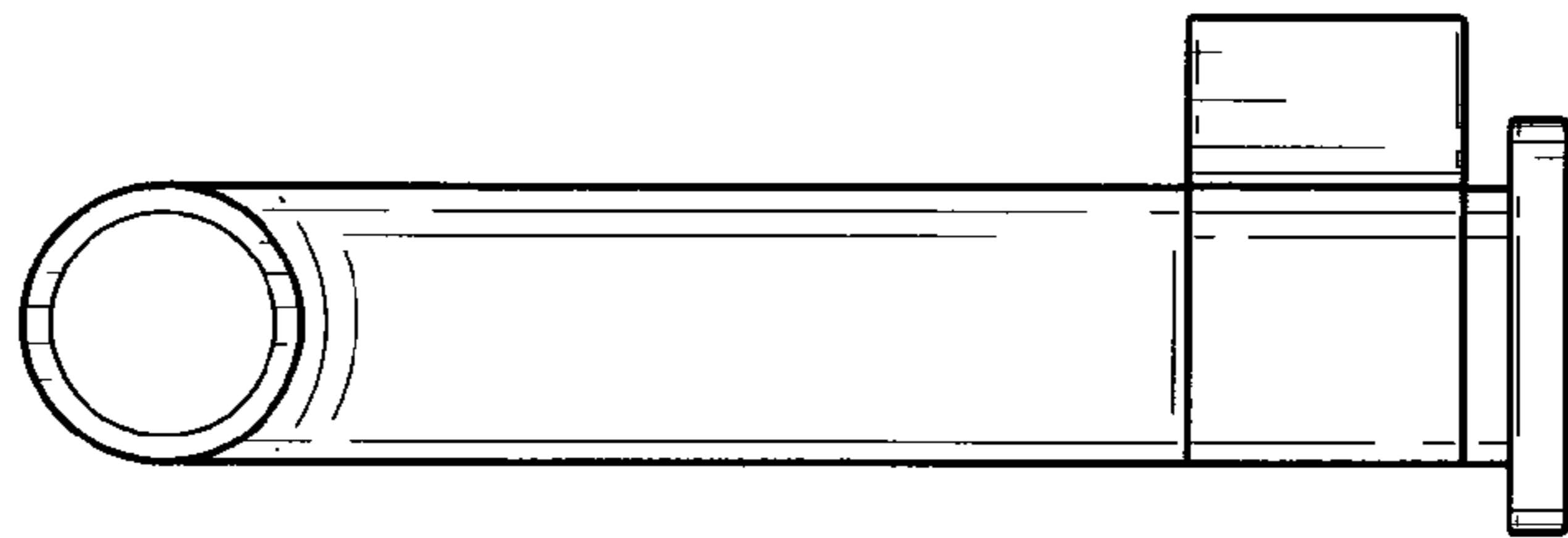


Fig-4

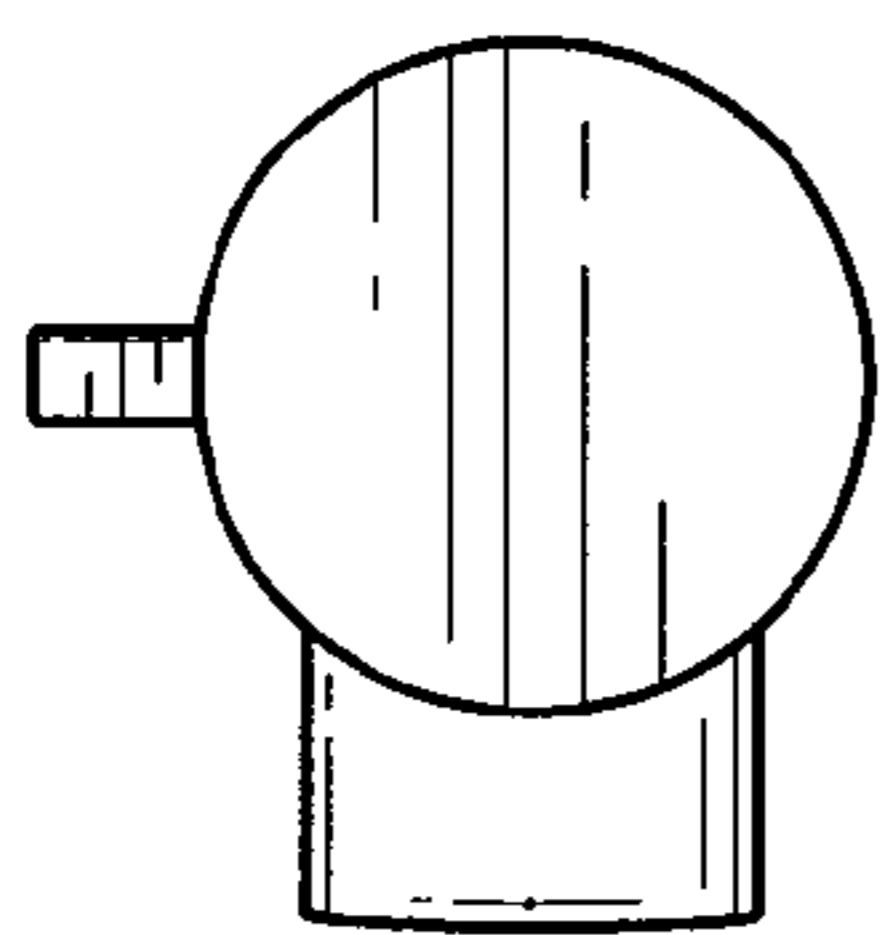


Fig-7

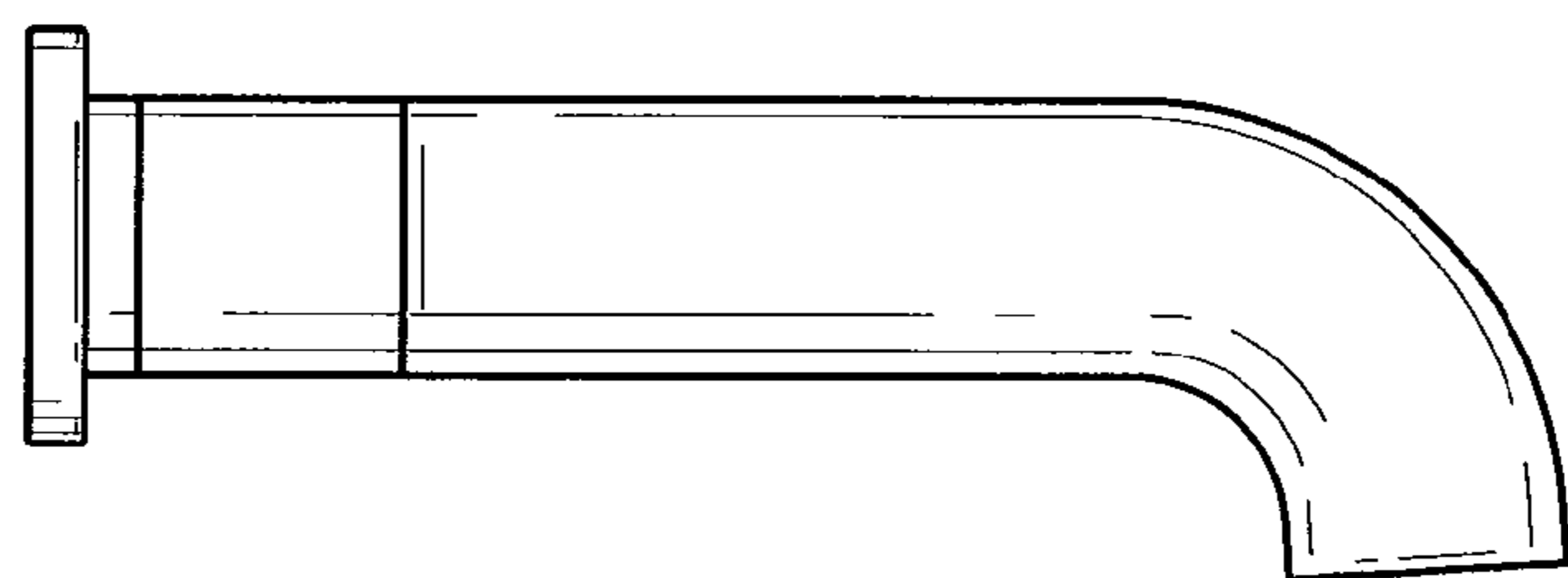


Fig-5