



US00D756488S

(12) **United States Design Patent**
Reinecker et al.

(10) **Patent No.:** **US D756,488 S**

(45) **Date of Patent:** **** May 17, 2016**

(54) **FAUCET**

(71) Applicant: **AS IP Holdco, LLC**, Piscataway, NJ
(US)

(72) Inventors: **Gregory Edward Reinecker**, South
Bound Brook, NJ (US); **Gabriela**
Ravassa, Brooklyn, NY (US)

(73) Assignee: **AS IP Holdco, LLC**, Piscataway, NJ
(US)

(**) Term: **15 Years**

(21) Appl. No.: **29/527,099**

(22) Filed: **May 15, 2015**

(51) **LOC (10) Cl.** **23-01**

(52) **U.S. Cl.**
USPC **D23/256**

(58) **Field of Classification Search**
USPC D23/238-243, 249, 255-257
CPC E03C 1/04; E03C 1/0401; E03C 1/0402;
E03C 1/0404; F16K 31/602; F16K 31/605;
F16K 31/607
See application file for complete search history.

(56) **References Cited**

U.S. PATENT DOCUMENTS

D220,101	S	*	3/1971	Brown et al.	D23/238
D231,229	S	*	4/1974	DuBois	D23/255
D249,155	S	*	8/1978	Doman	D23/250
5,222,672	A		6/1993	Hart et al.		
5,340,656	A		8/1994	Sachs et al.		
5,394,906	A		3/1995	Farley		
6,214,279	B1		4/2001	Yang et al.		
D490,880	S	*	6/2004	Lin	D23/255
6,817,379	B2		11/2004	Perla		

6,936,212	B1		8/2005	Crawford		
D512,129	S	*	11/2005	Gilbert	D23/250
D531,281	S	*	10/2006	Castellanos	D23/257
7,155,759	B2		1/2007	Milne		
8,028,714	B2		10/2011	Chen		
2008/0178957	A1		7/2008	Thomas et al.		
2013/0248005	A1		9/2013	Pitsch et al.		

OTHER PUBLICATIONS

Sosnovsky et al., *Al Mashrabiya*, <http://www.imj.org.it/exhibitions/2007/dream-makers/15dsys.html>, 2007.

ModernTech, *Rapid Prototyping Services*, <http://www.moderntechmech.com/3D-Printer/rapid-prototyping-services.html>, Apr. 5, 2012.

Houzz Announces 3-D Furniture Printing, <http://www.houzz.com/ideabooks/25459991/list/houzz-announces-3-d-furniture-printing>, Apr. 1, 2014.

* cited by examiner

Primary Examiner — Robert Delehanty

(74) *Attorney, Agent, or Firm* — Kramer Levin Naftalis & Frankel LLP

(57) **CLAIM**

The ornamental design for a faucet, as shown and described.

DESCRIPTION

FIG. 1 is a front and right side perspective view of a faucet showing the new design;

FIG. 2 is a top plan view thereof;

FIG. 3 is a front elevational view thereof;

FIG. 4 is a left side elevational view thereof;

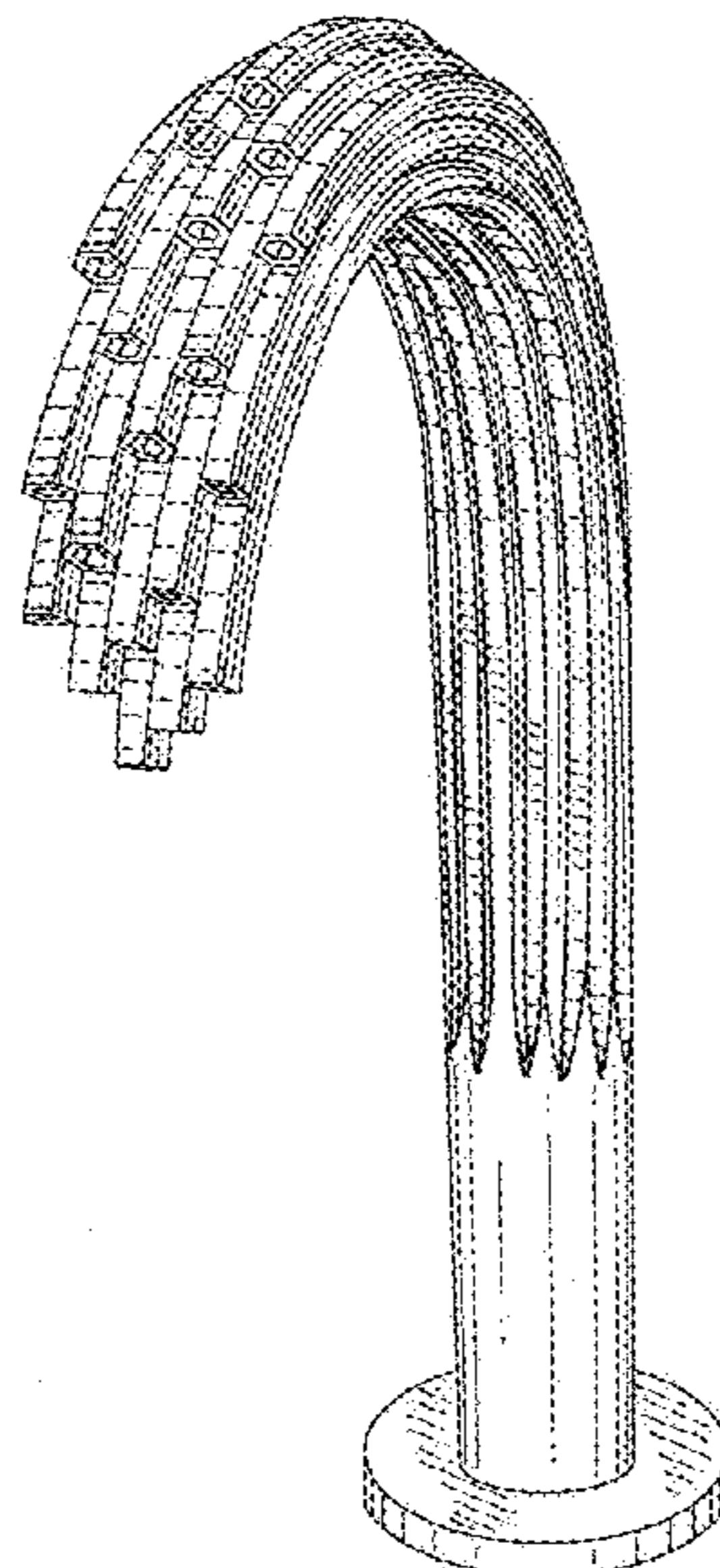
FIG. 5 is a right side elevational view thereof;

FIG. 6 is a rear elevational view thereof; and,

FIG. 7 is a bottom plan view thereof.

The features shown in broken lines form no part of the claimed design.

1 Claim, 5 Drawing Sheets



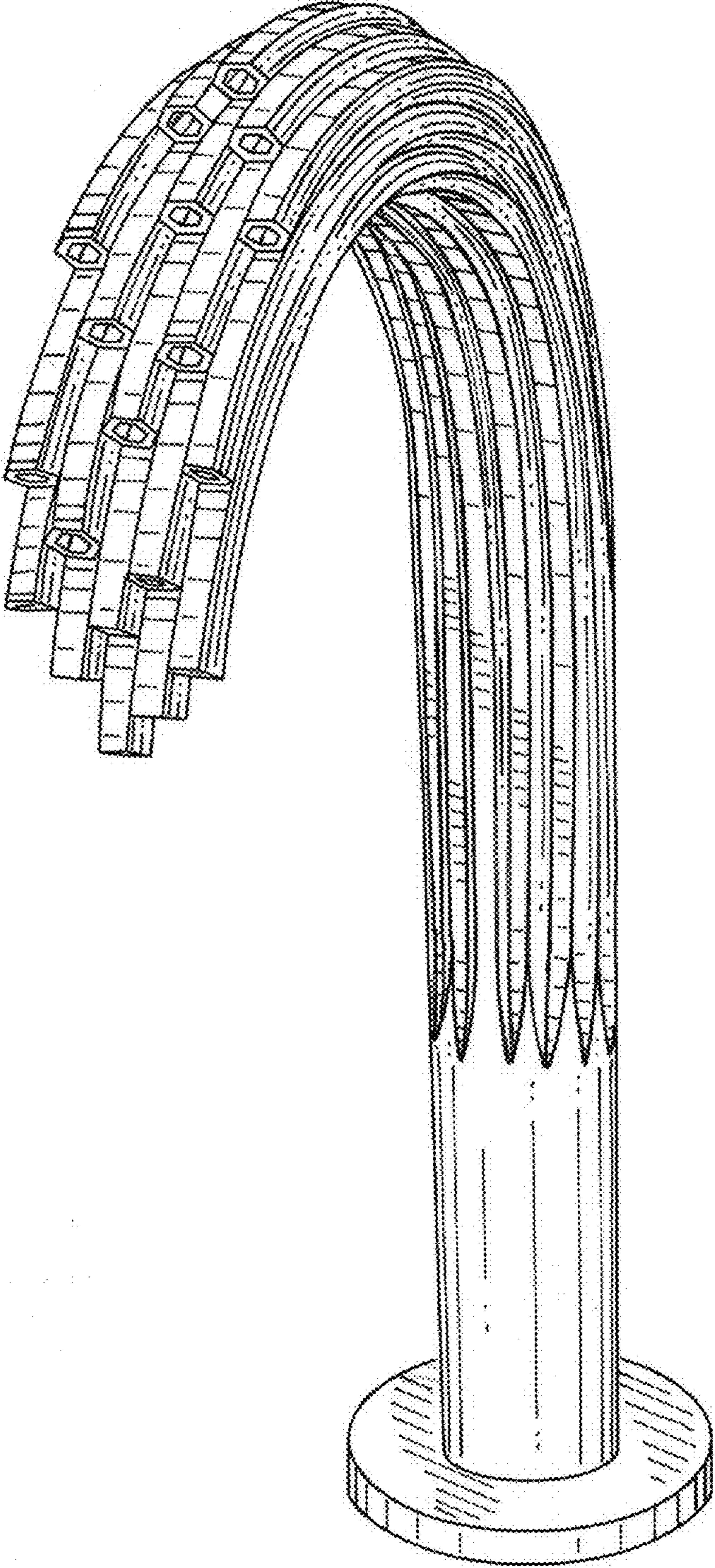


FIG. 1

FIG. 2

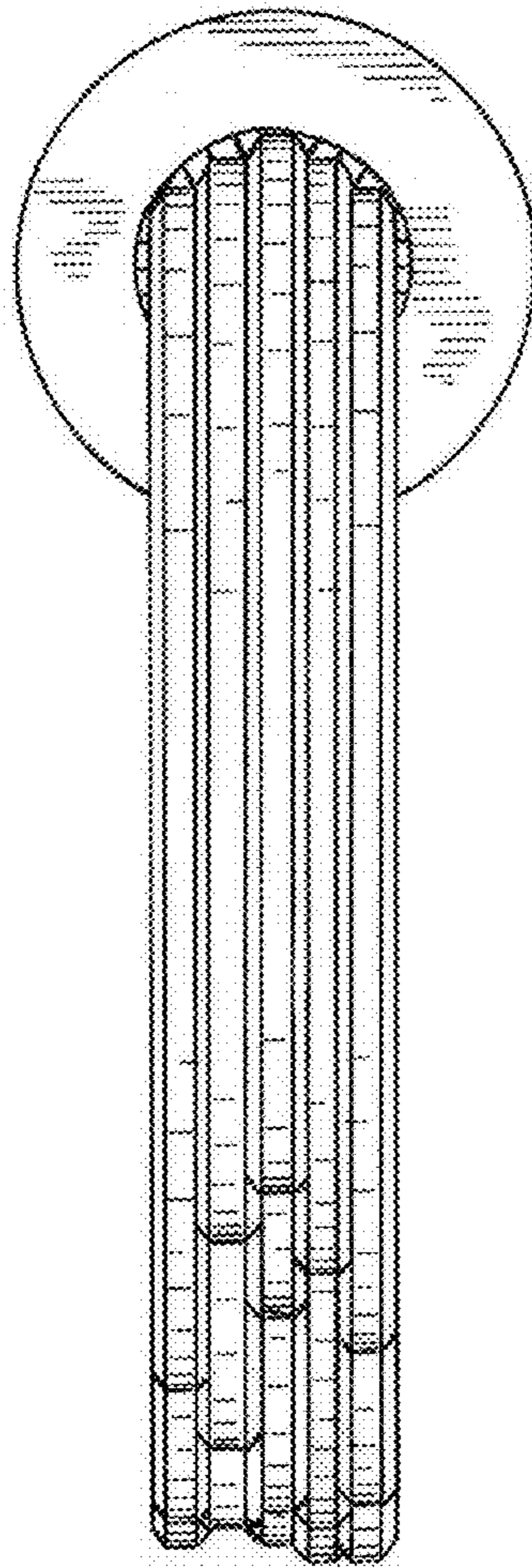
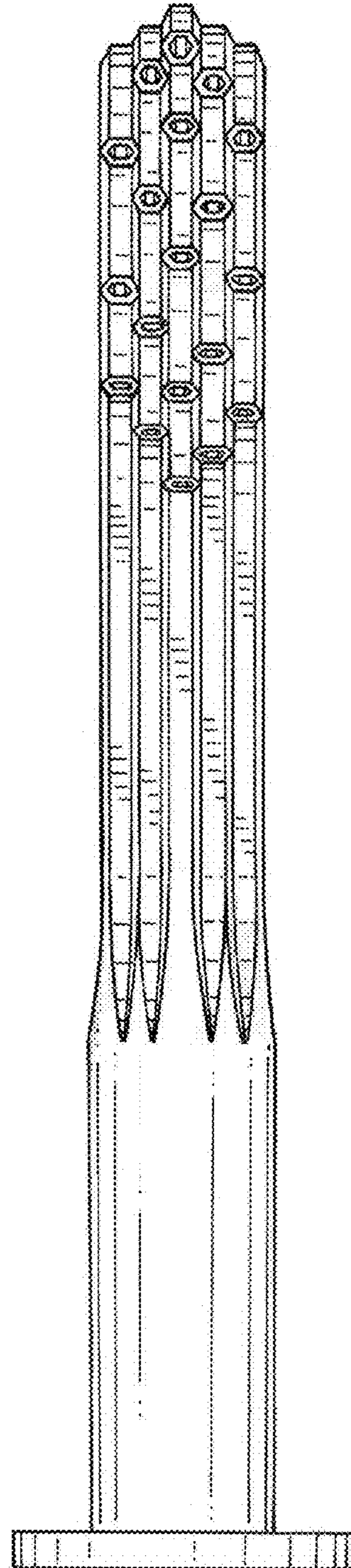


FIG. 3



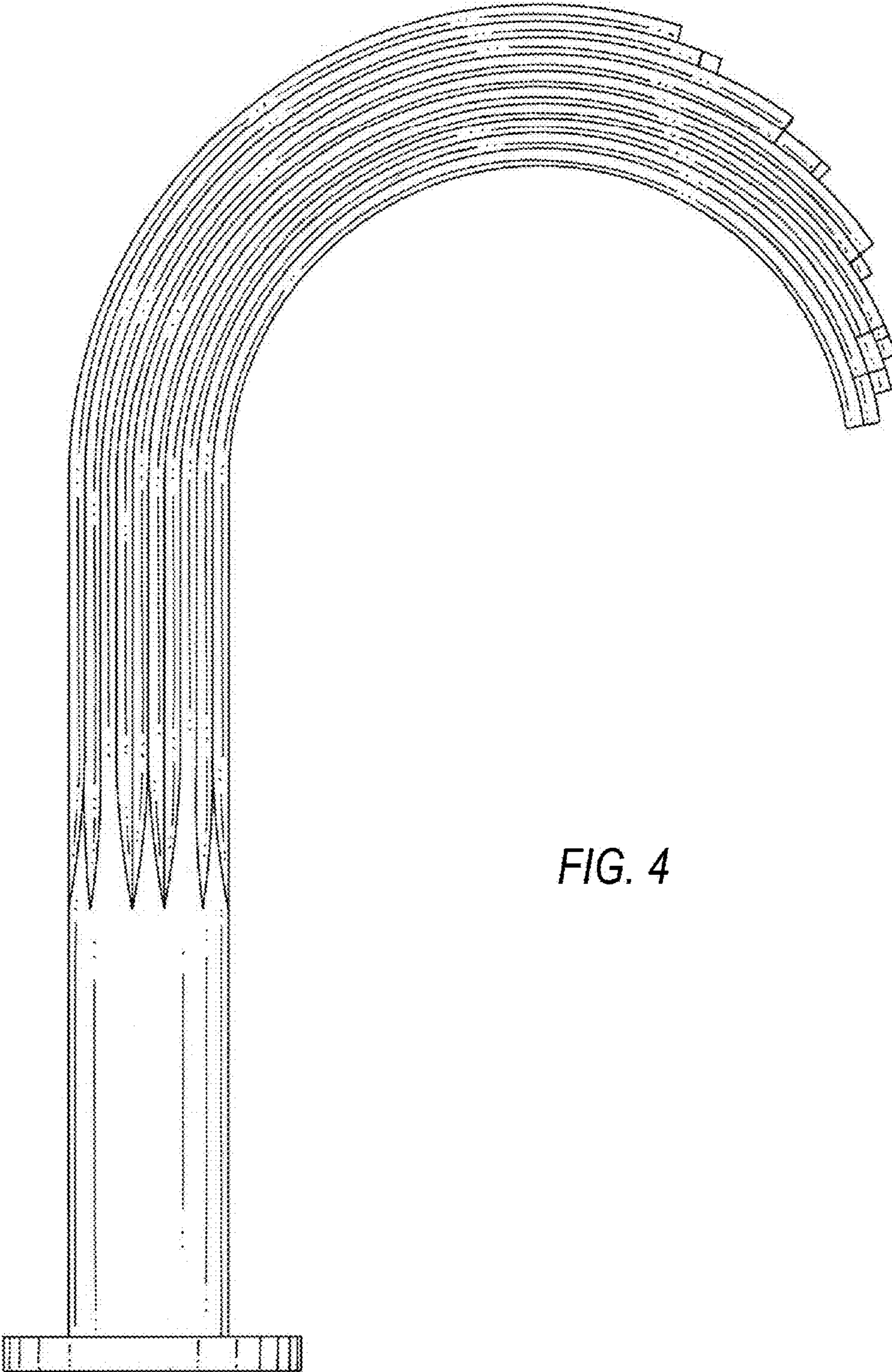


FIG. 4

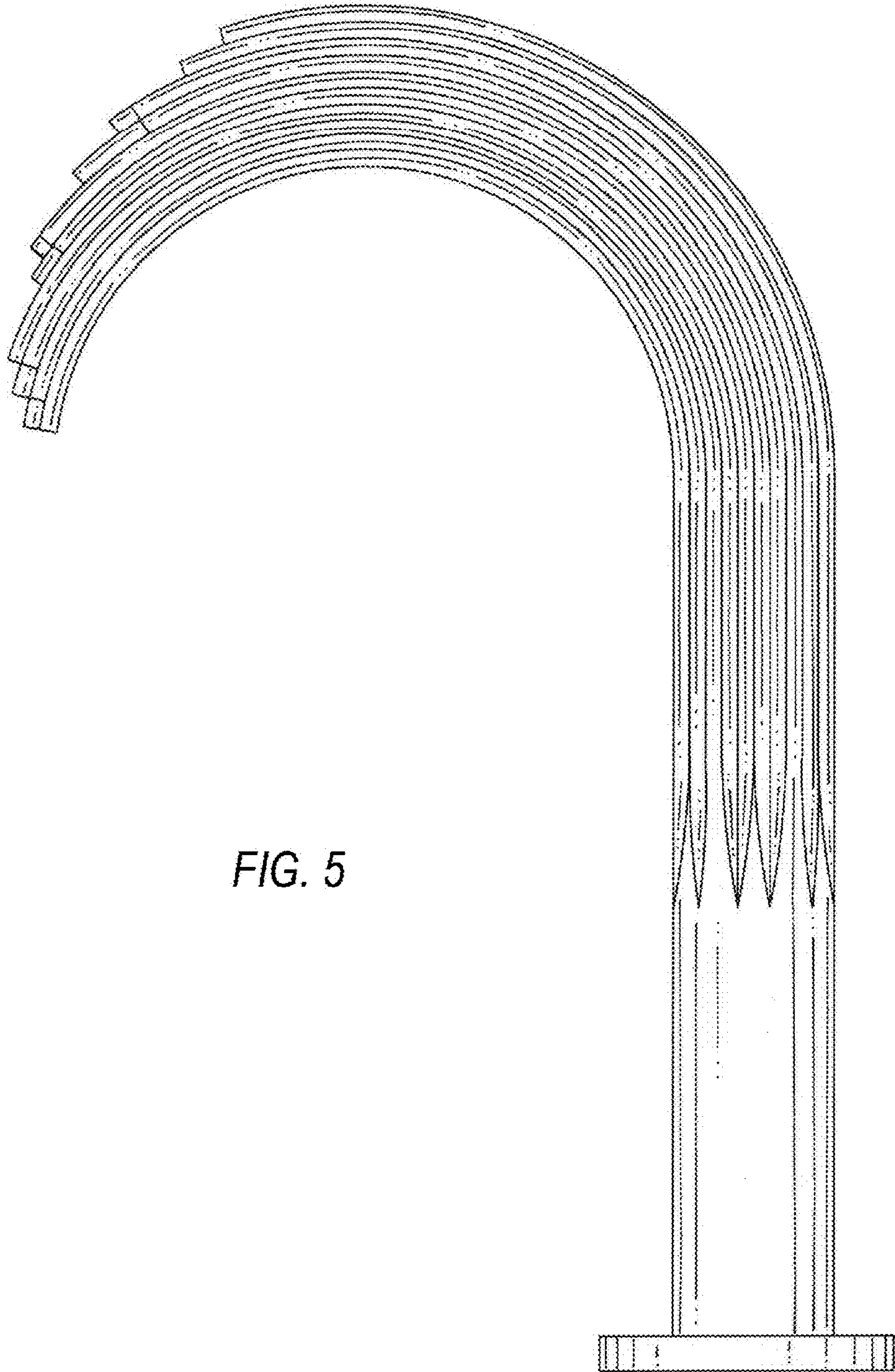


FIG. 5

FIG. 6

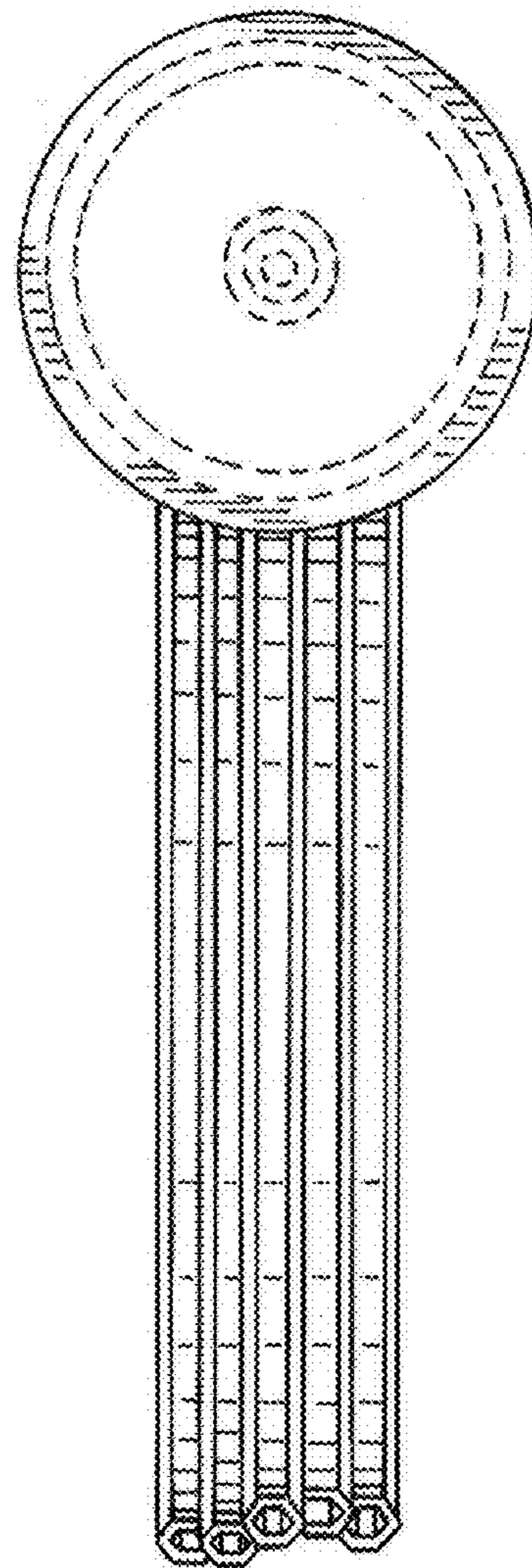
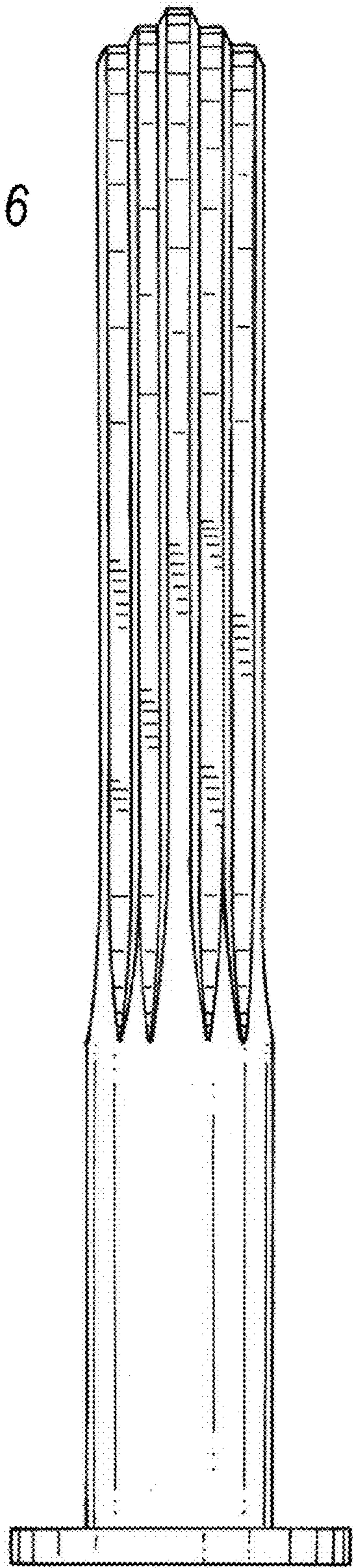


FIG. 7