



US00D756485S

(12) **United States Design Patent**  
**Rasmussen**

(10) **Patent No.:** **US D756,485 S**  
(45) **Date of Patent:** **\*\* May 17, 2016**

- (54) **SPRAY GUN**
- (71) Applicant: **Kärcher North America, Inc.**,  
Englewood, CO (US)
- (72) Inventor: **Michael Rasmussen**, Denver, CO (US)
- (73) Assignee: **Kärcher North America, Inc.**,  
Englewood, CO (US)
- (\*\*) Term: **14 Years**
- (21) Appl. No.: **29/517,538**
- (22) Filed: **Feb. 13, 2015**
- (51) **LOC (10) Cl.** ..... **23-01**
- (52) **U.S. Cl.**  
USPC ..... **D23/223**
- (58) **Field of Classification Search**  
USPC ..... D23/213, 223, 226; 239/690, 690.1,  
239/290, 291, 525, 526, 532; 361/227, 228  
CPC .... B05B 5/1691; B05B 5/043; B05B 7/2408;  
B05B 7/241; B05B 7/02; B05B 7/025  
See application file for complete search history.

8,708,254 B2 \* 4/2014 Baxter ..... B05B 15/066  
239/525  
D709,990 S \* 7/2014 Loudon ..... D23/223  
8,893,991 B2 11/2014 Alexander et al.

**OTHER PUBLICATIONS**

U.S. Appl. No. 29/544,129, filed Oct. 30, 2015, Rasmussen.

\* cited by examiner

*Primary Examiner* — Robin V Webster

(74) *Attorney, Agent, or Firm* — Sheridan Ross P.C.

(57) **CLAIM**

The ornamental design for a spray gun, as shown and described.

**DESCRIPTION**

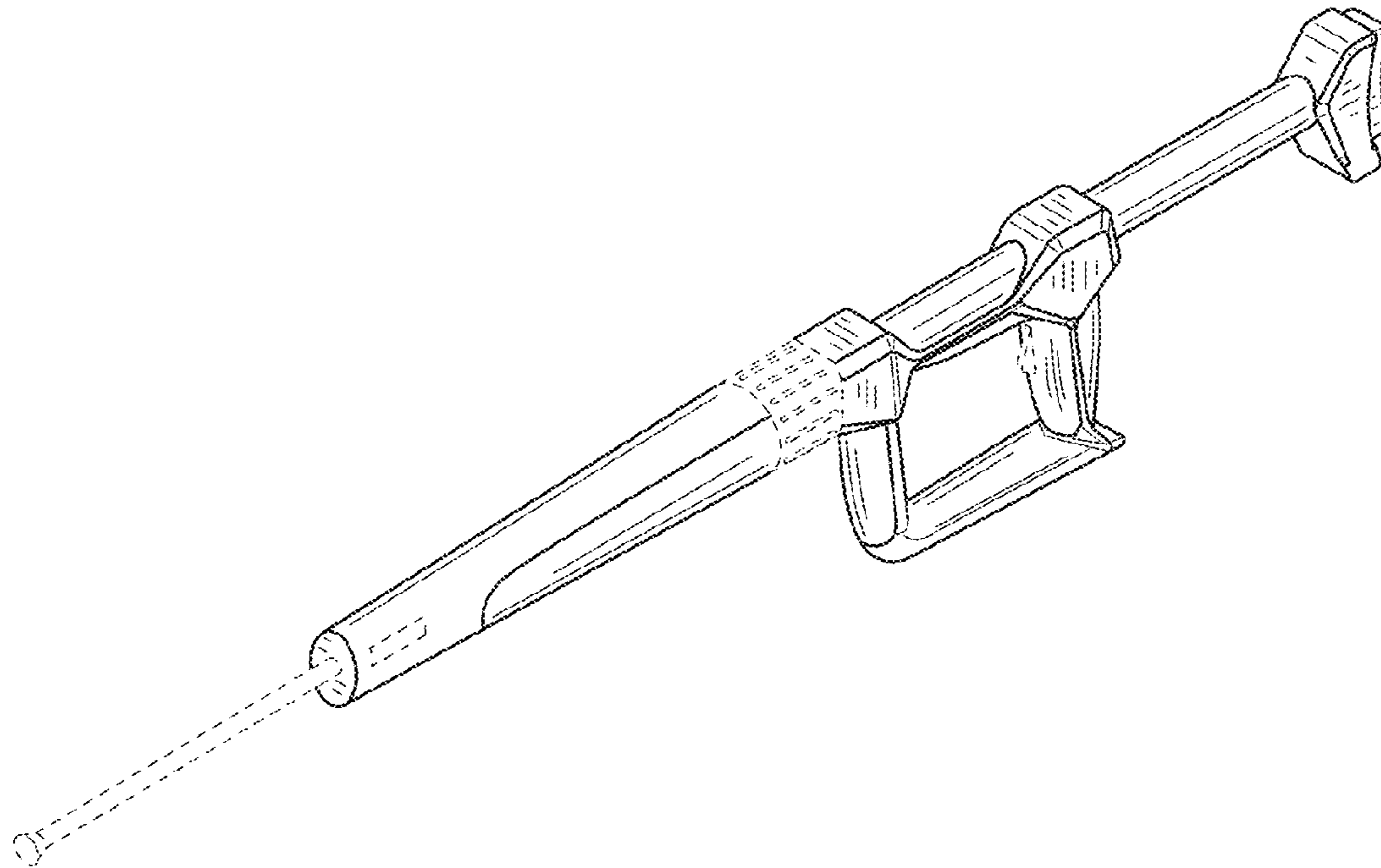
FIG. 1 is a front perspective view of the spray gun;  
 FIG. 2 is a front elevation view thereof;  
 FIG. 3 is a rear elevation view thereof;  
 FIG. 4 is a right elevation view thereof;  
 FIG. 5 is a left elevation view thereof;  
 FIG. 6 is a top plan view thereof; and,  
 FIG. 7 is a bottom plan view thereof.  
 The broken lines of portions of the spray gun are included for the purpose of illustrating environment and form no part of the claimed design.

**1 Claim, 3 Drawing Sheets**

(56) **References Cited**

**U.S. PATENT DOCUMENTS**

- 5,236,129 A 8/1993 Grime et al.
- 5,836,517 A 11/1998 Burns et al.
- D617,416 S \* 6/2010 Chen ..... D23/223
- D636,846 S \* 4/2011 Shoemaker ..... D23/213



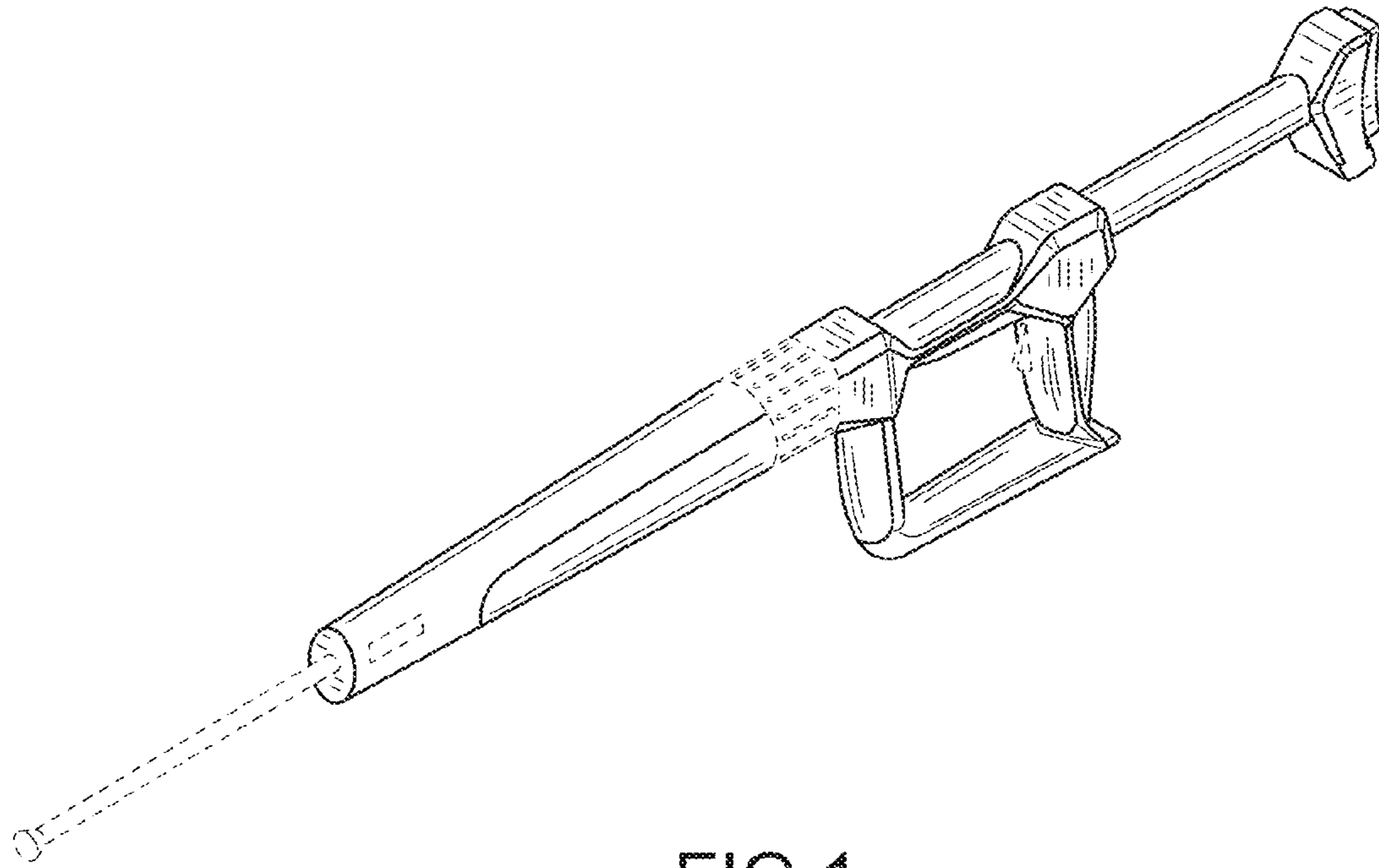


FIG. 1

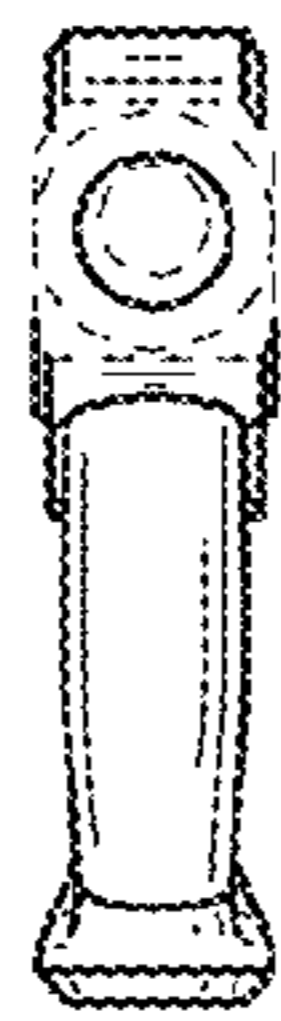


FIG. 2

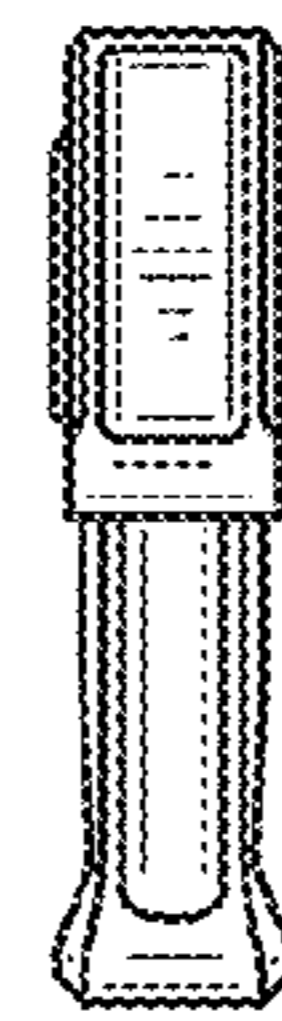


FIG. 3

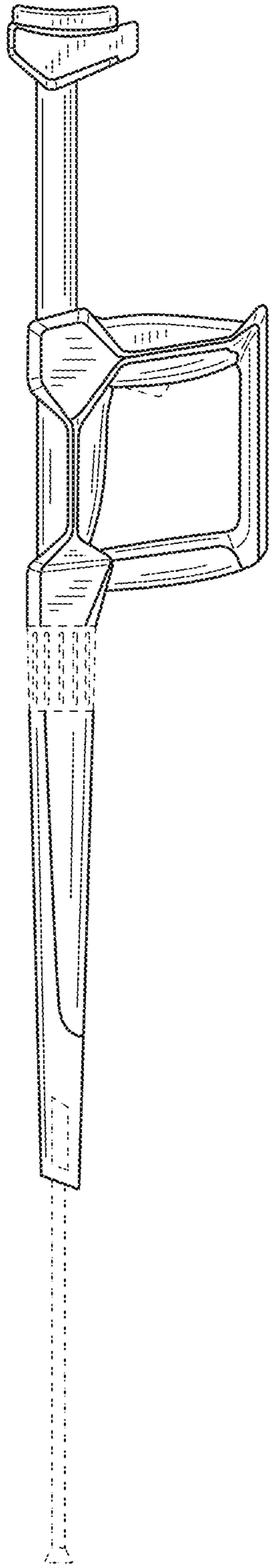


FIG. 4

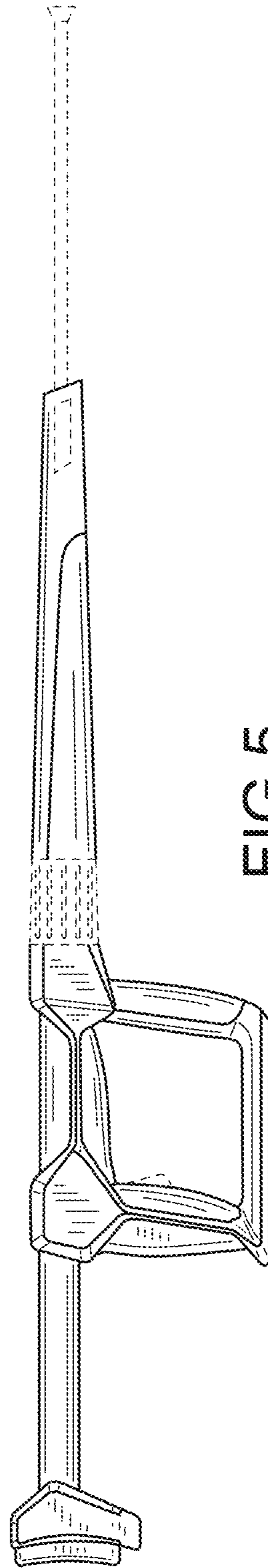


FIG. 5

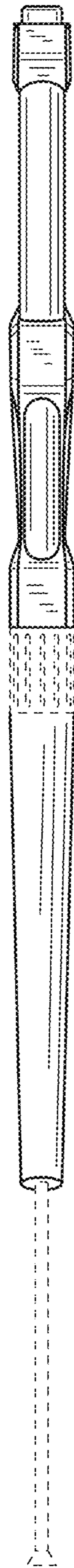


FIG. 6

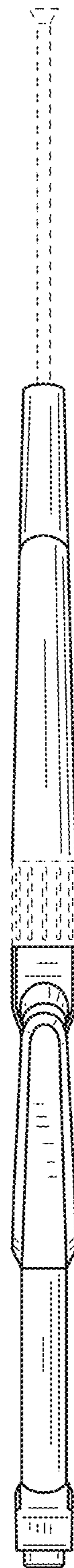


FIG. 7