

US00D756484S

(12) **United States Design Patent**
Johnson

(10) **Patent No.:** **US D756,484 S**

(45) **Date of Patent:** **** May 17, 2016**

(54) **INLINE FILTRATION UNIT**

(71) Applicant: **Dale Johnson**, Pensacola, FL (US)

(72) Inventor: **Dale Johnson**, Pensacola, FL (US)

(**) Term: **14 Years**

(21) Appl. No.: **29/521,465**

(22) Filed: **Mar. 24, 2015**

(51) **LOC (10) Cl.** **23-01**

(52) **U.S. Cl.**
USPC **D23/209**

(58) **Field of Classification Search**
USPC D23/207, 209, 266; 204/278.5;
210/321.74, 321.76, 321.79

CPC B01D 63/10; B01D 63/106; B01D 63/046;
B01D 2319/20; B01D 2319/025

See application file for complete search history.

(56) **References Cited**

U.S. PATENT DOCUMENTS

1,783,605 A * 12/1930 Della 285/4
D152,286 S * 1/1949 Patterson D23/207
D282,561 S * 2/1986 Lu D23/207

5,228,991 A * 7/1993 Strohm et al. 210/321.8
D351,893 S * 10/1994 Whitesel D23/207
5,992,643 A * 11/1999 Scrogam et al. 210/439
6,645,381 B2 * 11/2003 McEvoy 210/321.78
7,410,580 B2 * 8/2008 Koch et al. 210/321.79
D719,636 S * 12/2014 Reed D23/209

* cited by examiner

Primary Examiner — Robin V Webster

(57) **CLAIM**

The ornamental design for inline filtration unit, as shown and described.

DESCRIPTION

FIG. 1 is a perspective view of an inline filtration unit showing my new design;

FIG. 2 is a front elevational view thereof;

FIG. 3 is a rear elevational view thereof;

FIG. 4 is a left side elevational view thereof;

FIG. 5 is a right side elevational view thereof;

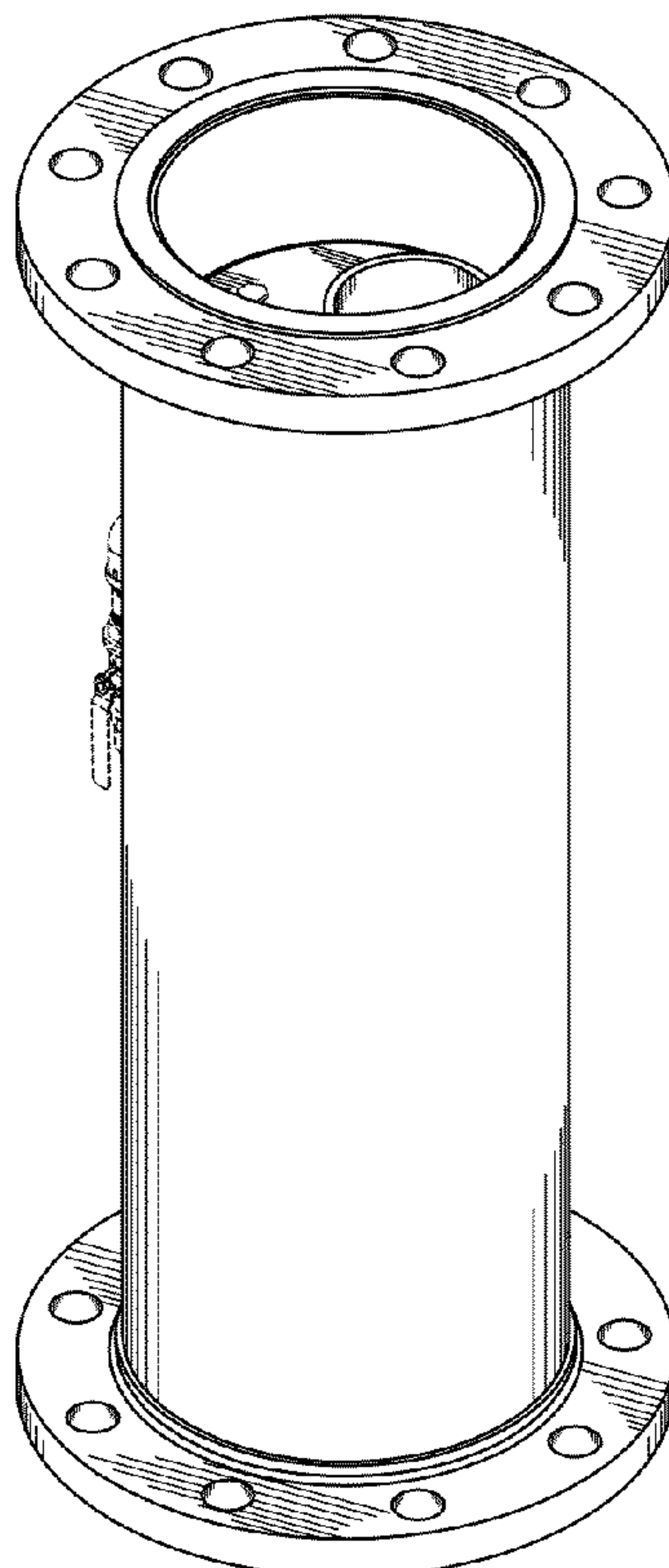
FIG. 6 is a top plan view thereof;

FIG. 7 is a bottom plan view thereof;

FIG. 8 is an exploded perspective view thereof; and,

FIG. 9 is a front cross-sectional view thereof.

1 Claim, 9 Drawing Sheets



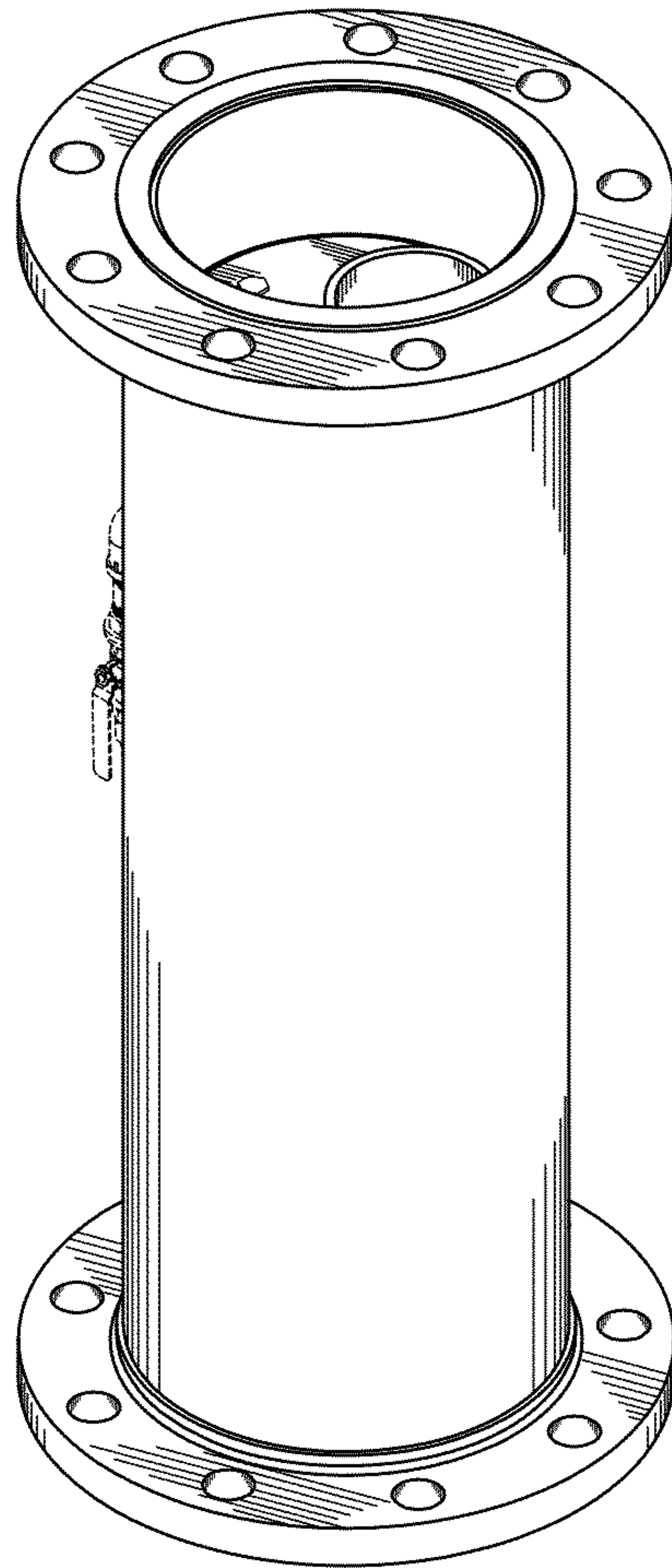


FIG. 1

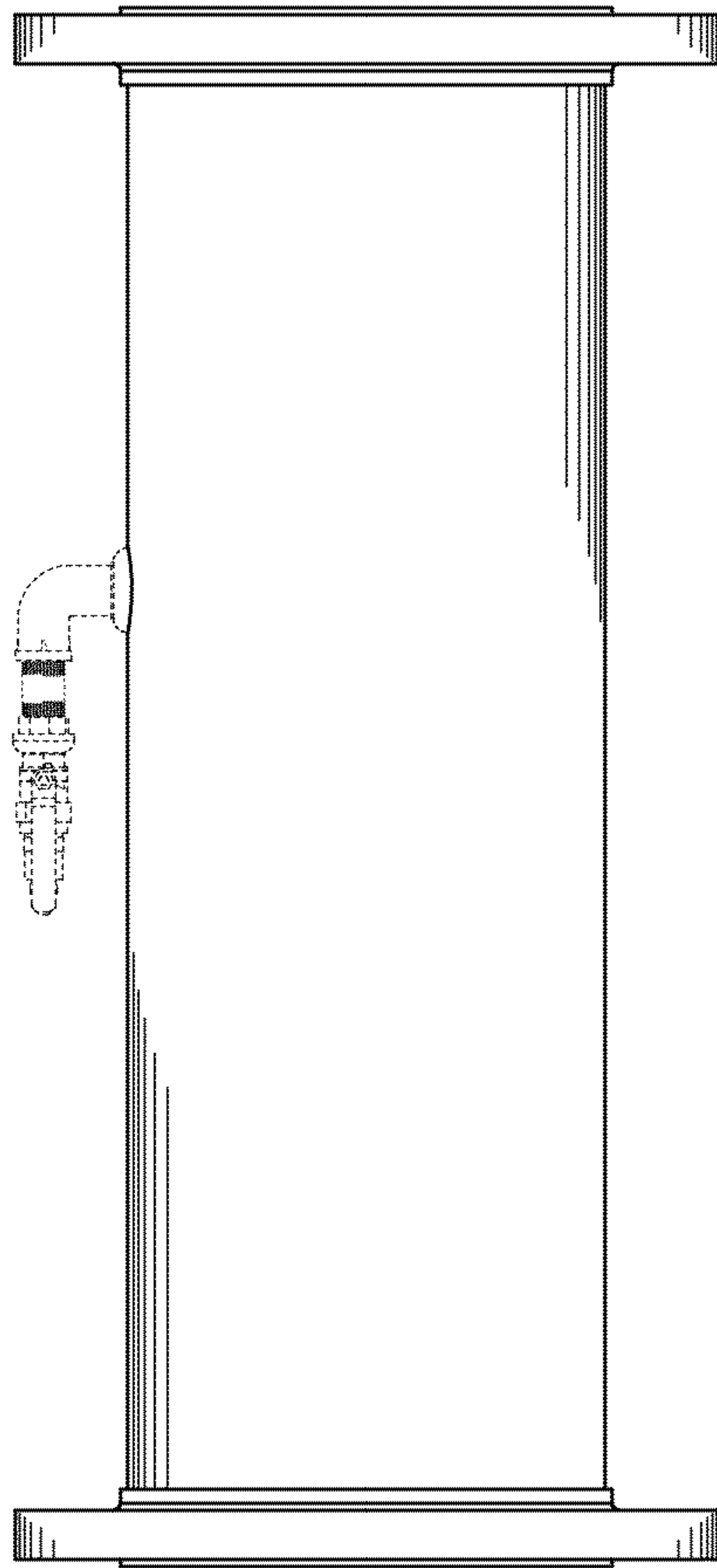


FIG. 2

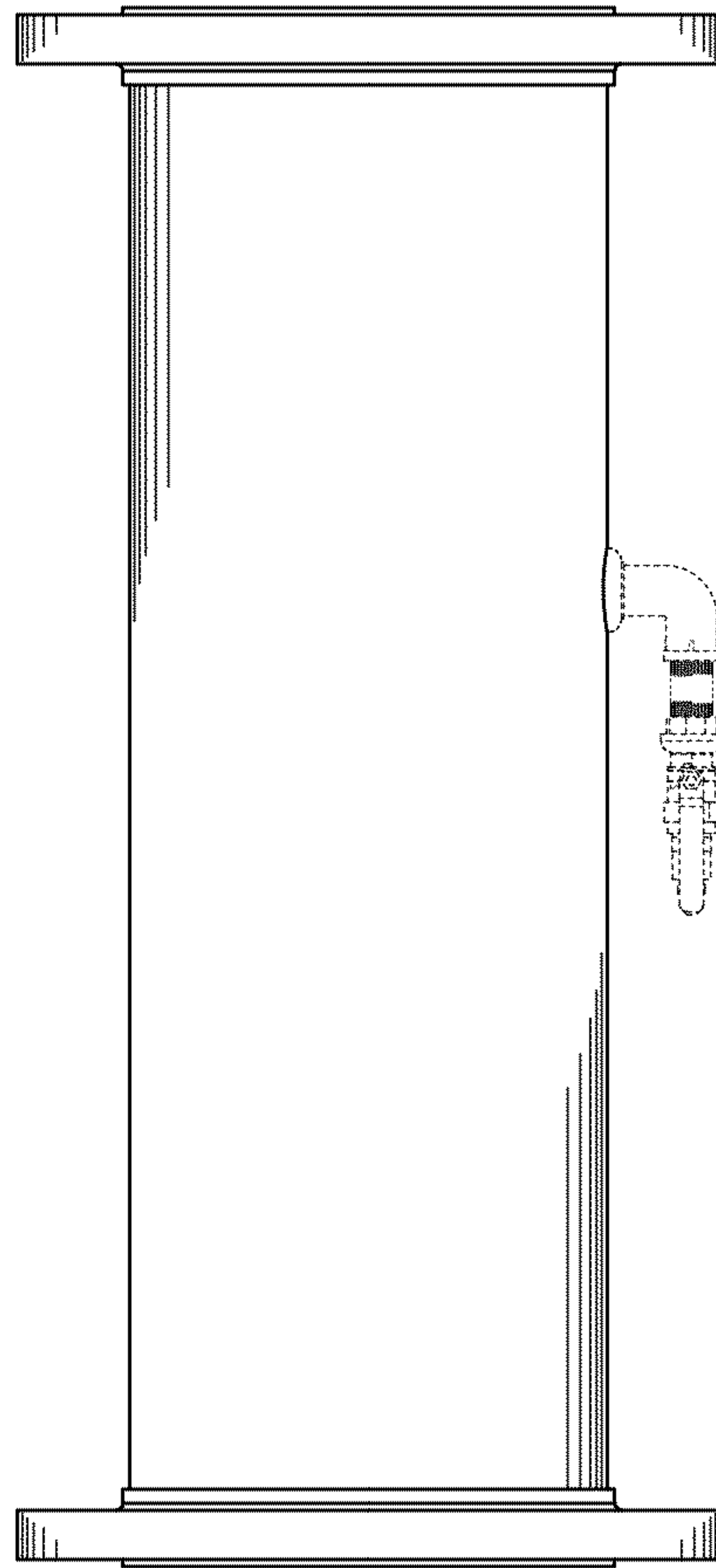


FIG. 3

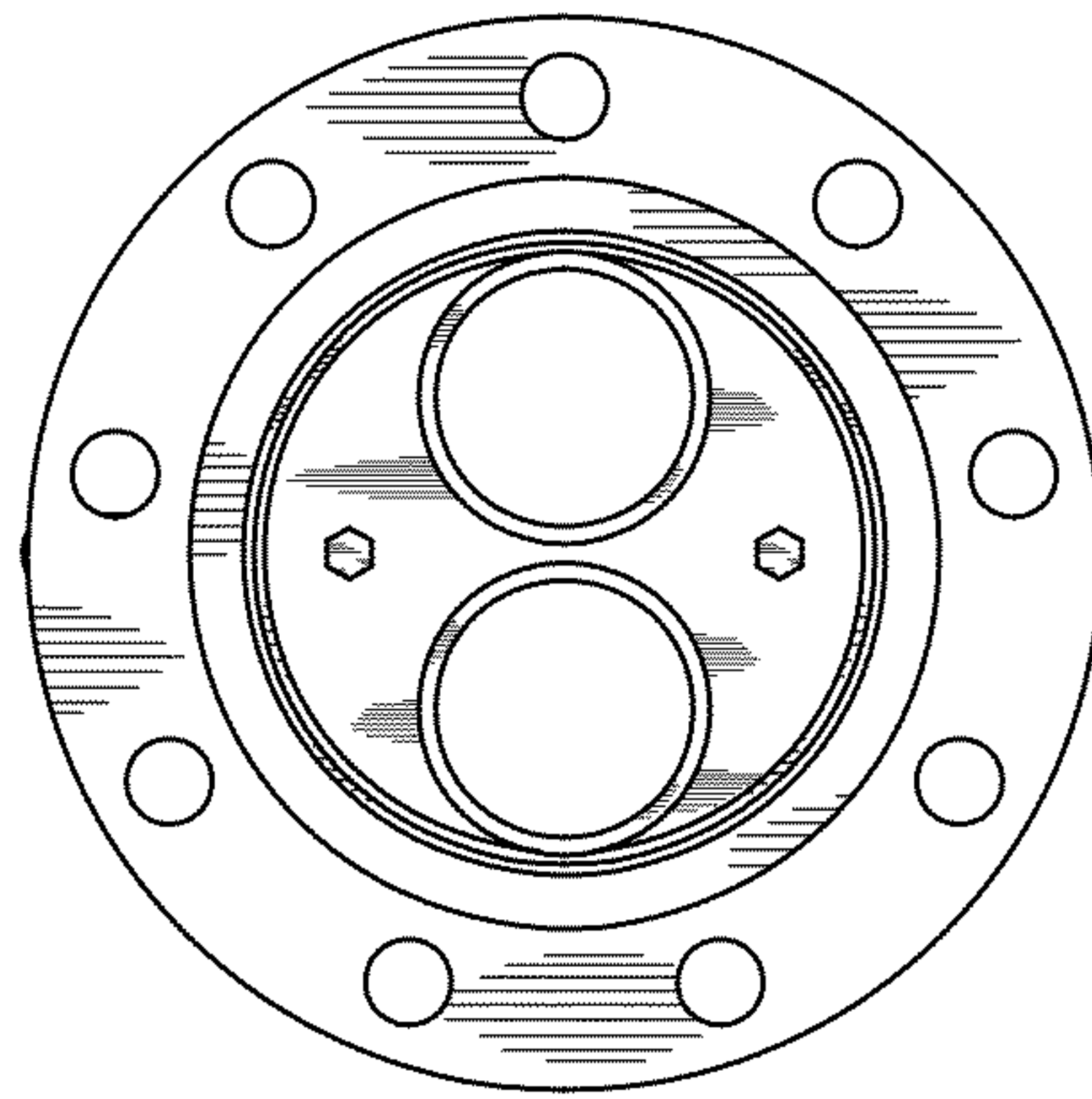


FIG. 4

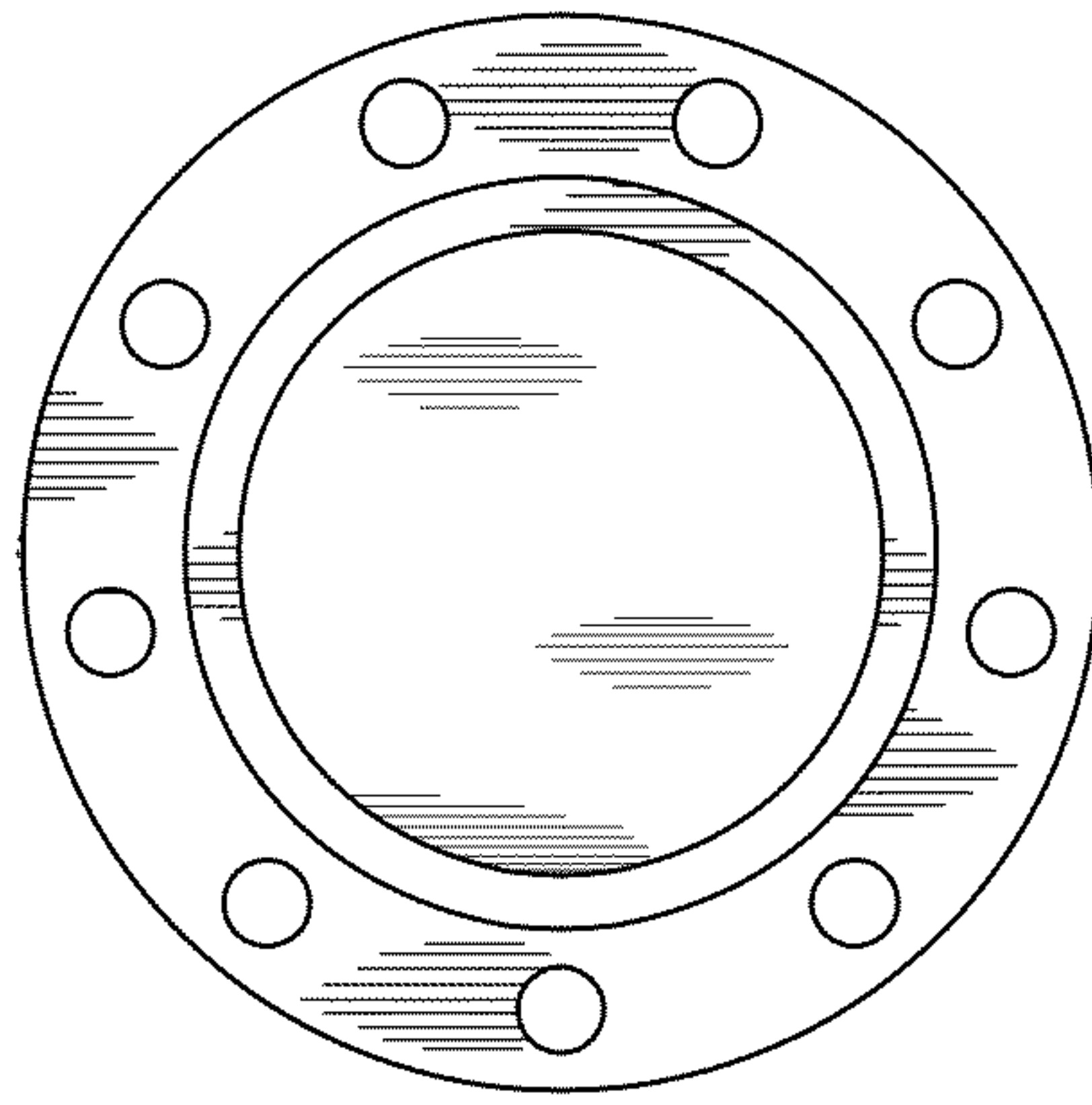


FIG. 5

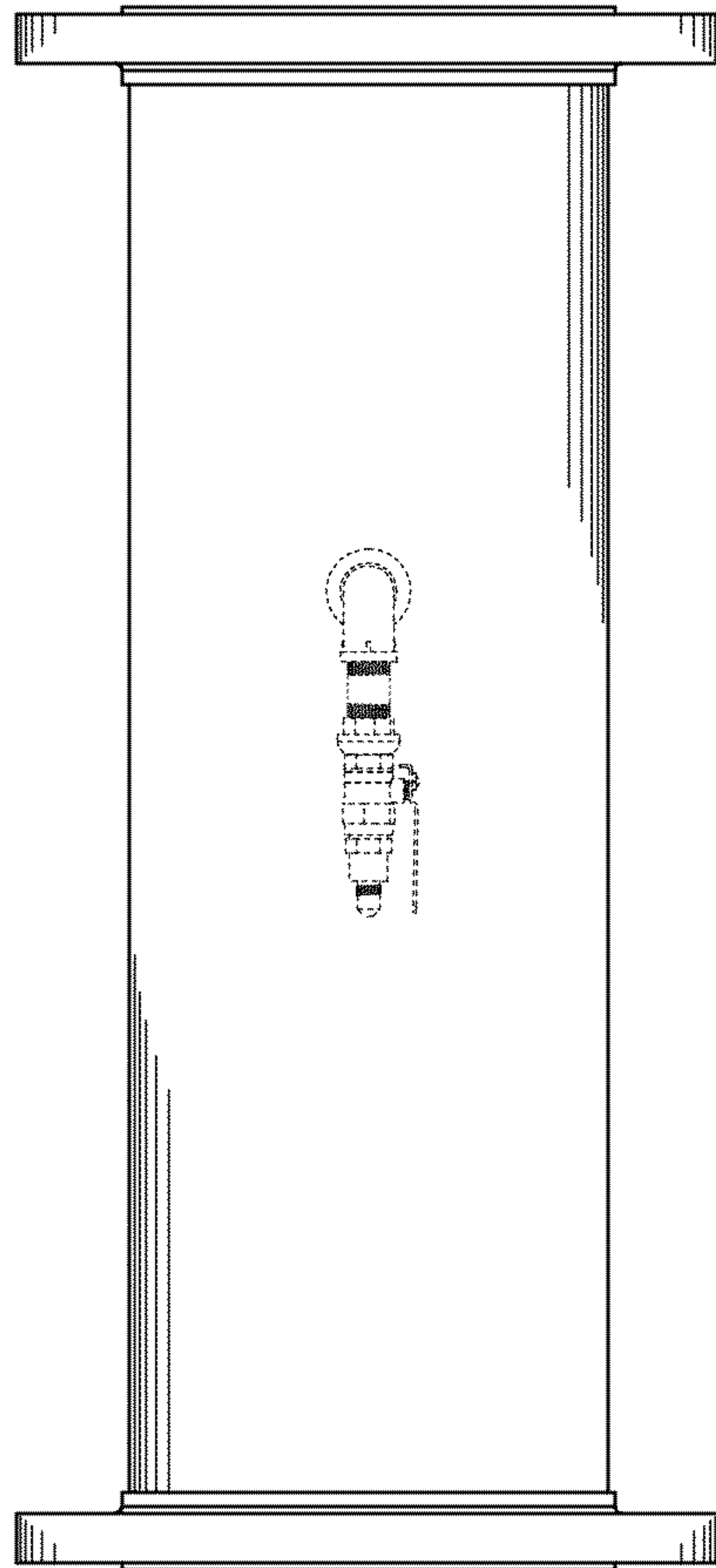


FIG. 6

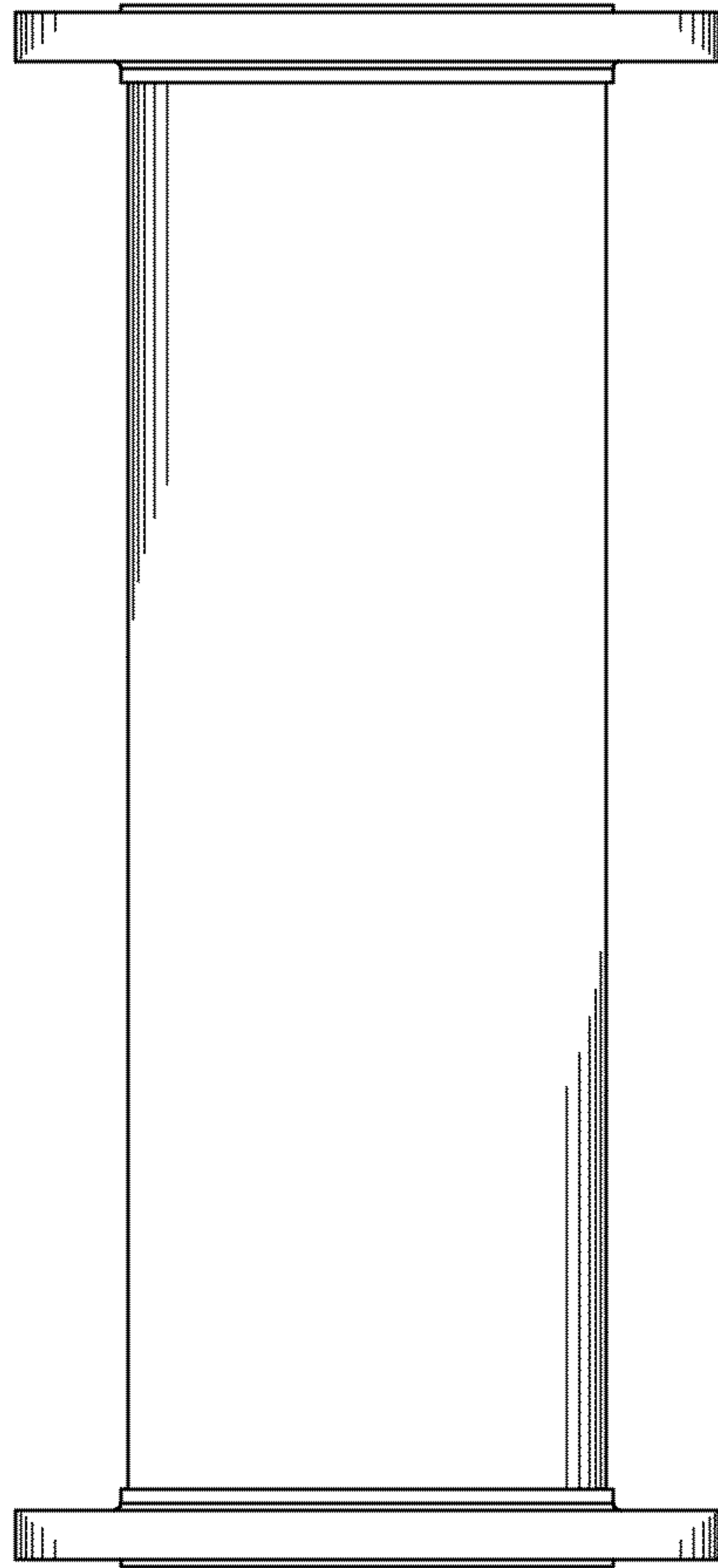


FIG. 7

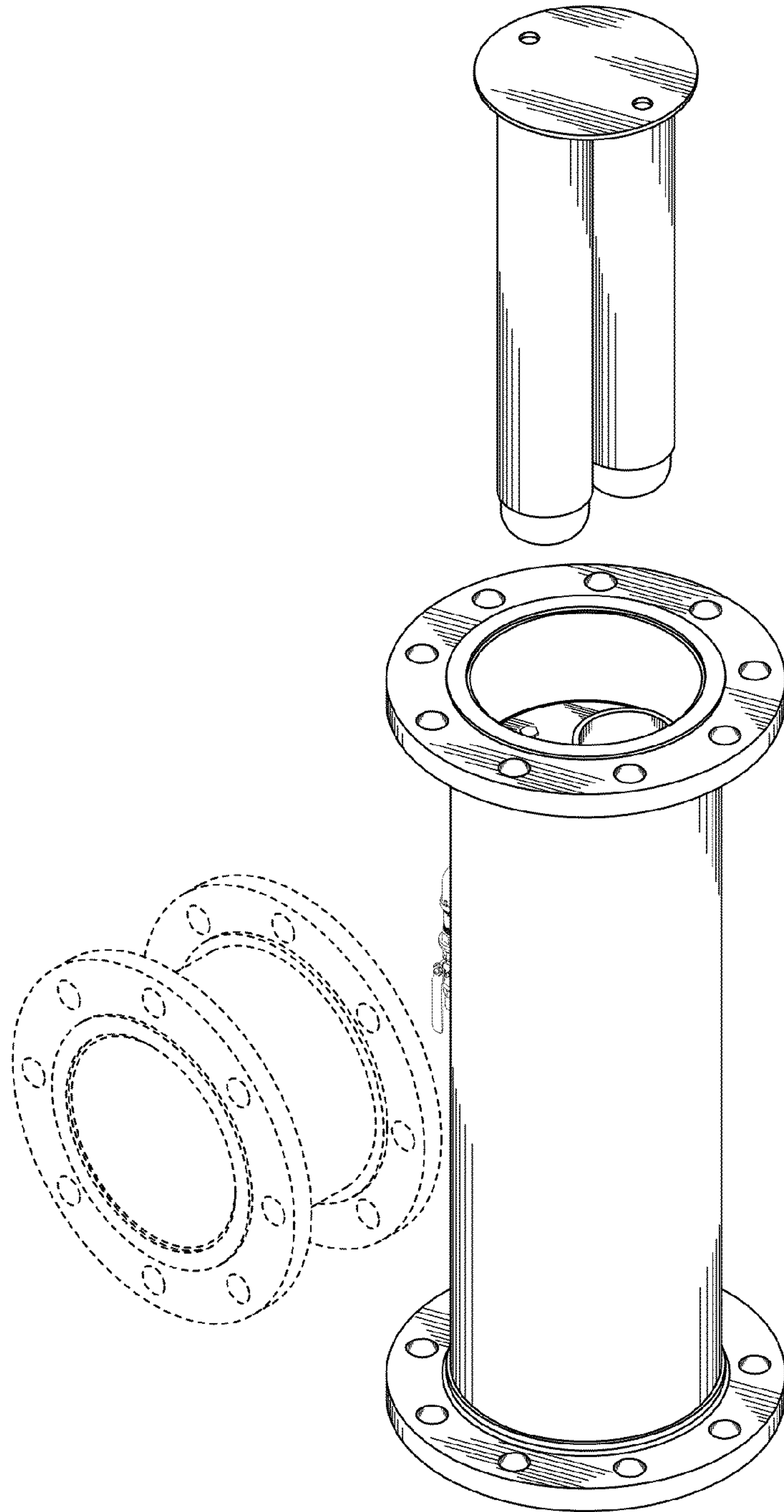


FIG. 8

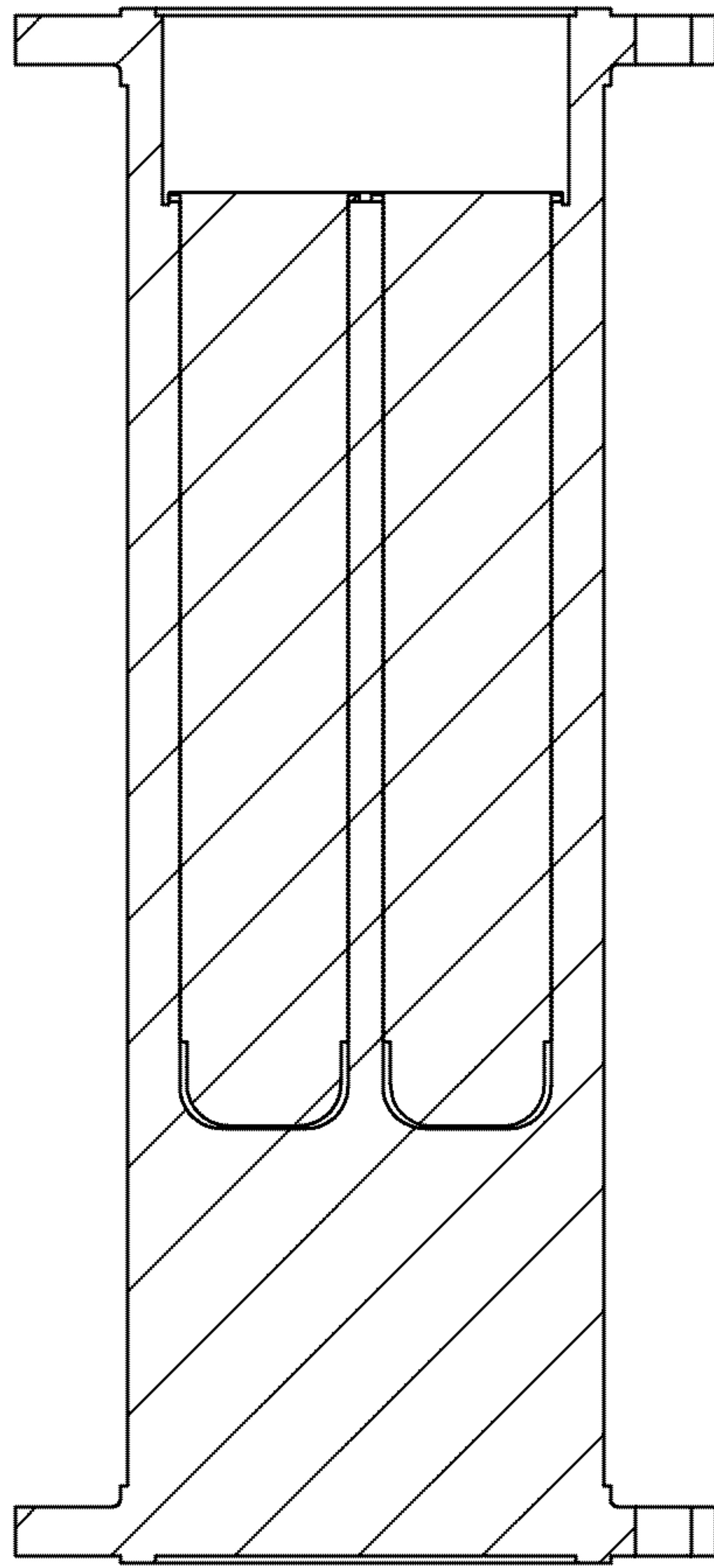


FIG. 9