



US00D756480S

(12) **United States Design Patent**  
**Kay**

(10) **Patent No.:** **US D756,480 S**

(45) **Date of Patent:** **\*\* May 17, 2016**

(54) **RIFLE SCOPE**

(71) Applicant: **Ira Kay**, Warrenton, VA (US)

(72) Inventor: **Ira Kay**, Warrenton, VA (US)

(\*\*) Term: **14 Years**

(21) Appl. No.: **29/483,074**

(22) Filed: **Feb. 25, 2014**

(51) **LOC (10) Cl.** ..... **22-01**

(52) **U.S. Cl.**  
USPC ..... **D22/109**

(58) **Field of Classification Search**

USPC ..... D22/108-109; D16/111-113; 359/104,  
359/105, 111-113, 116, 120, 124-129,  
359/133-148; 42/227-299  
CPC ..... F41G 1/00; F41G 1/01; F41G 1/02;  
F41G 1/06; F41G 1/065; F41G 1/08; F41G  
1/10; F41G 1/12; F41G 1/14; F41G 1/30;  
F41G 1/32; F41G 1/38; F41G 1/40; F41G  
1/42; F41G 1/44; F41G 1/46; F41G 1/383;  
F41G 1/387; F41G 1/393; F41G 3/00; F41G  
3/005; F41G 3/02; F41G 3/04; F41G 3/06;  
F41G 3/14; F41G 11/002; F41G 11/003;  
F41G 11/004; F41G 11/005

See application file for complete search history.

(56) **References Cited**

**U.S. PATENT DOCUMENTS**

3,492,733	A *	2/1970	Leatherwood	42/122
3,990,155	A *	11/1976	Akin et al.	42/122
4,389,791	A *	6/1983	Ackerman	42/122
D308,981	S *	7/1990	Moore	D16/132
D313,607	S *	1/1991	Moore	D16/132
5,020,892	A *	6/1991	Glover et al.	359/399
5,276,554	A *	1/1994	Nassivera	359/694
D365,858	S *	1/1996	Tomita	D22/109
D369,367	S *	4/1996	Tomita	D16/132
D417,679	S *	12/1999	Cross et al.	D16/132
D421,286	S *	2/2000	Tucker	D22/109

6,508,026	B1 *	1/2003	Uppiano et al.	42/119
D525,997	S *	8/2006	Hoshi	D16/132
D564,001	S *	3/2008	Pernstich et al.	D16/132
D589,544	S *	3/2009	York	D16/132
7,626,760	B2 *	12/2009	Wu	359/426
D637,258	S *	5/2011	Bengtsson	D22/109
D668,312	S *	10/2012	Asano	D22/109
D681,152	S *	4/2013	Burzel et al.	D22/109
D689,163	S *	9/2013	Radau et al.	D22/109
D689,582	S *	9/2013	Radau et al.	D22/109
D706,380	S *	6/2014	Gardiner et al.	D22/109
2011/0061285	A1 *	3/2011	Hamilton	42/122

**OTHER PUBLICATIONS**

Trademark Design, Simmons Outdoor Corporation, TESS, Feb. 12, 2008.

Rifle Scope, Kahles CSX 3 12x56mm MZ-8.

\* cited by examiner

*Primary Examiner* — Michael A Pratt

(74) *Attorney, Agent, or Firm* — Shlesinger, Arkwright & Garvey LLP

(57) **CLAIM**

I claim the ornamental design for a rifle scope, as shown and described.

**DESCRIPTION**

FIG. 1 is a right side perspective view of a rifle scope showing my new design;

FIG. 2 is a left side perspective view of FIG. 1;

FIG. 3 is a right side view of FIG. 1;

FIG. 4 is a left side view of FIG. 1;

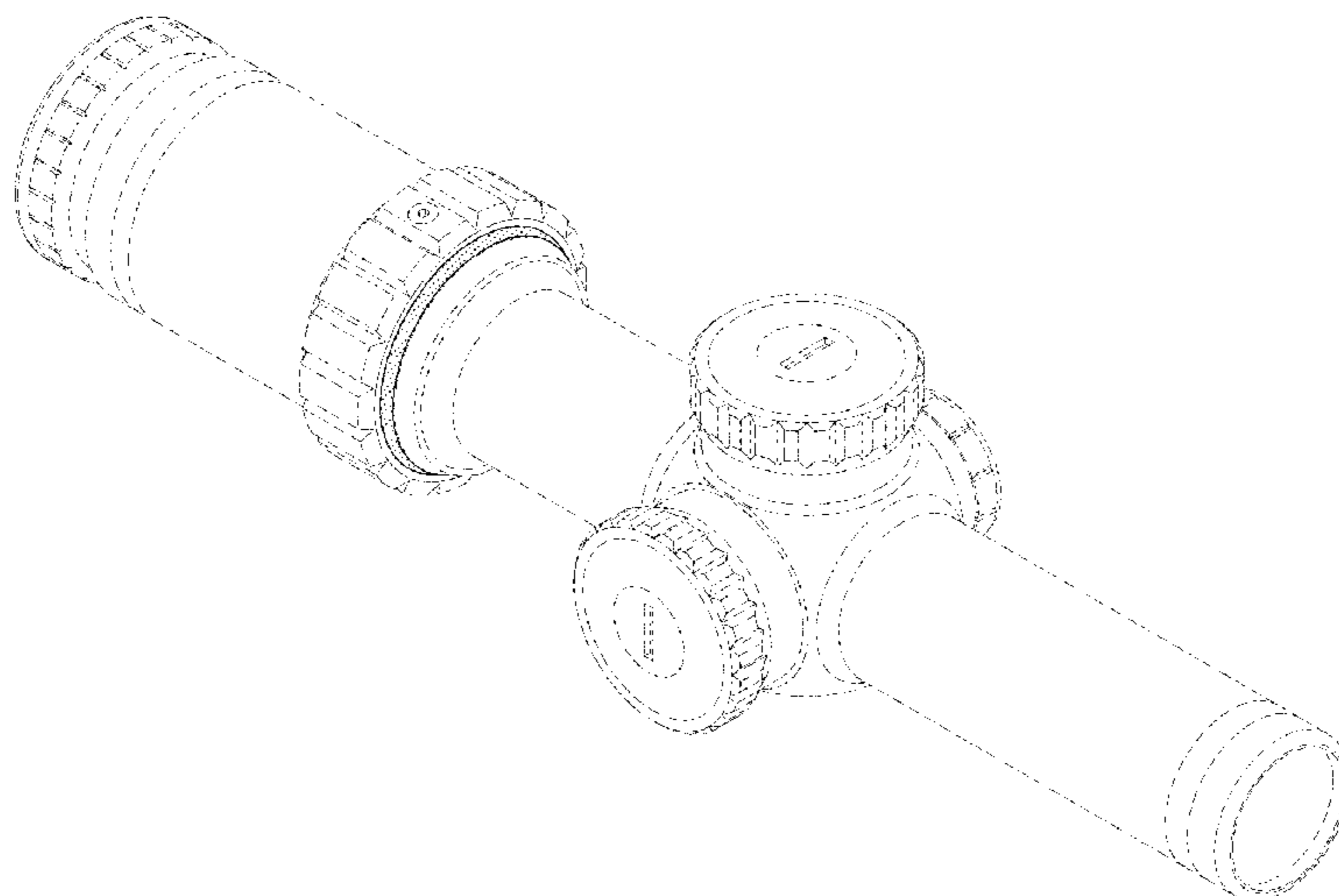
FIG. 5 is a top view of FIG. 1; and,

FIG. 6 is a bottom view of FIG. 1.

Stippling shown in the figures represents a band applied on a surface of a rifle scope that forms a contrast in appearance.

The broken line portion of the figure drawings is included for the purpose of illustrating environment and forms no part of the claimed design.

**1 Claim, 4 Drawing Sheets**



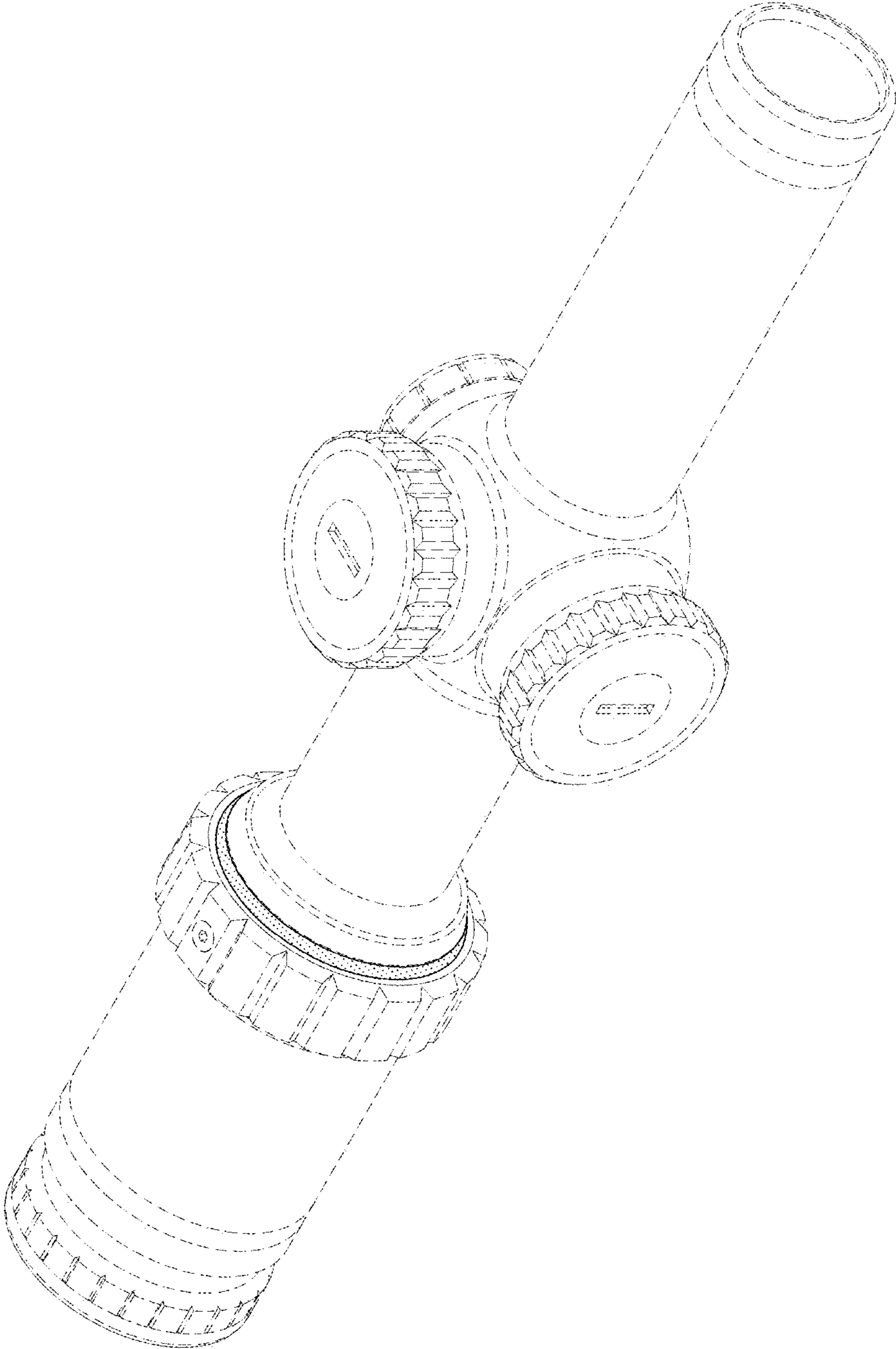


FIG. 1

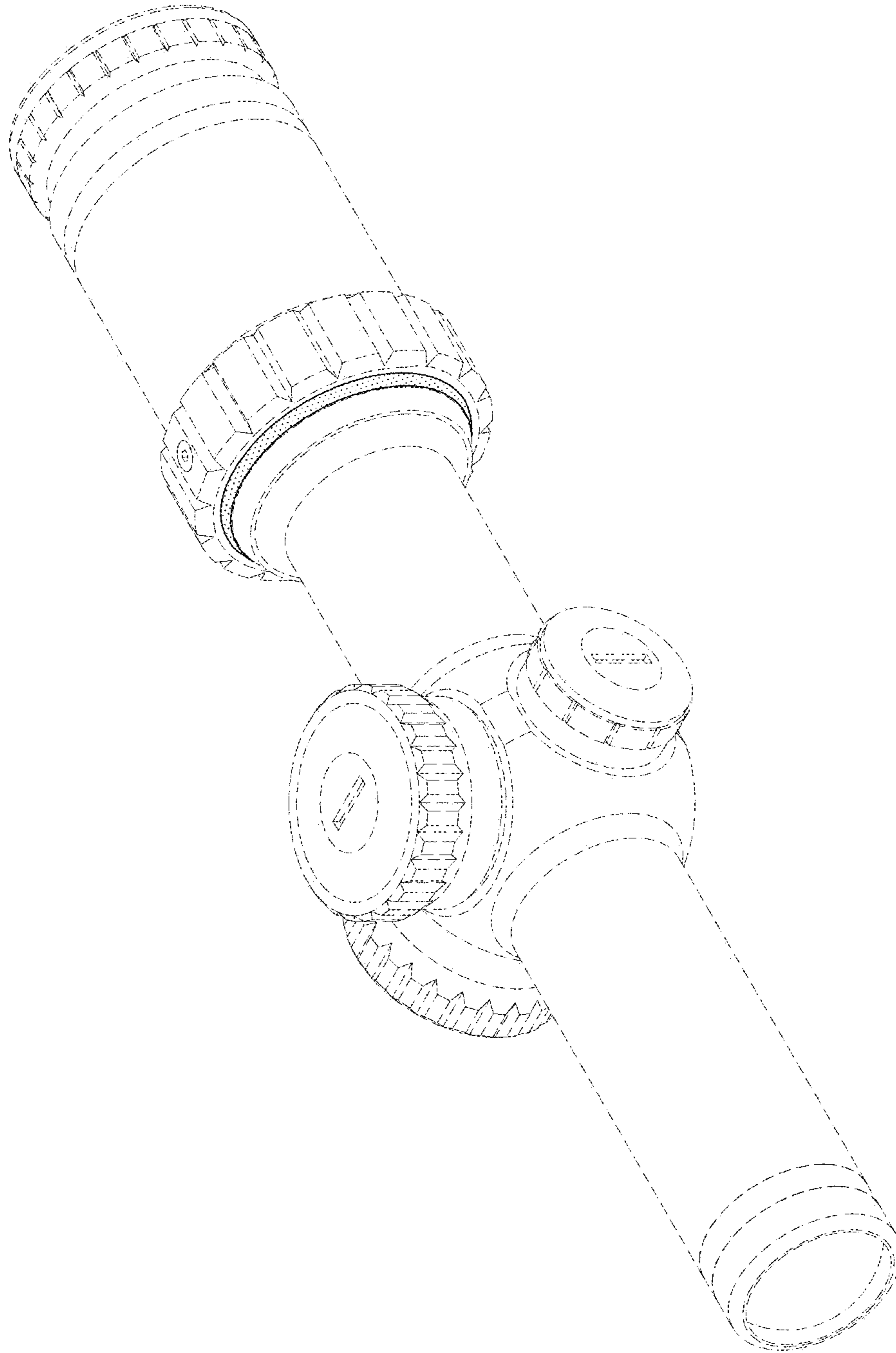


FIG. 2

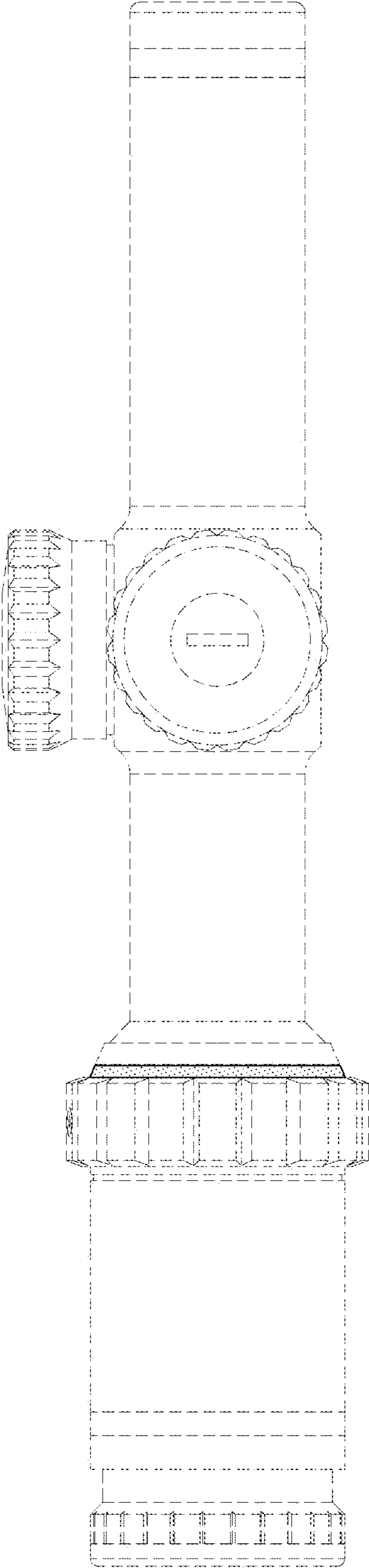


FIG. 3

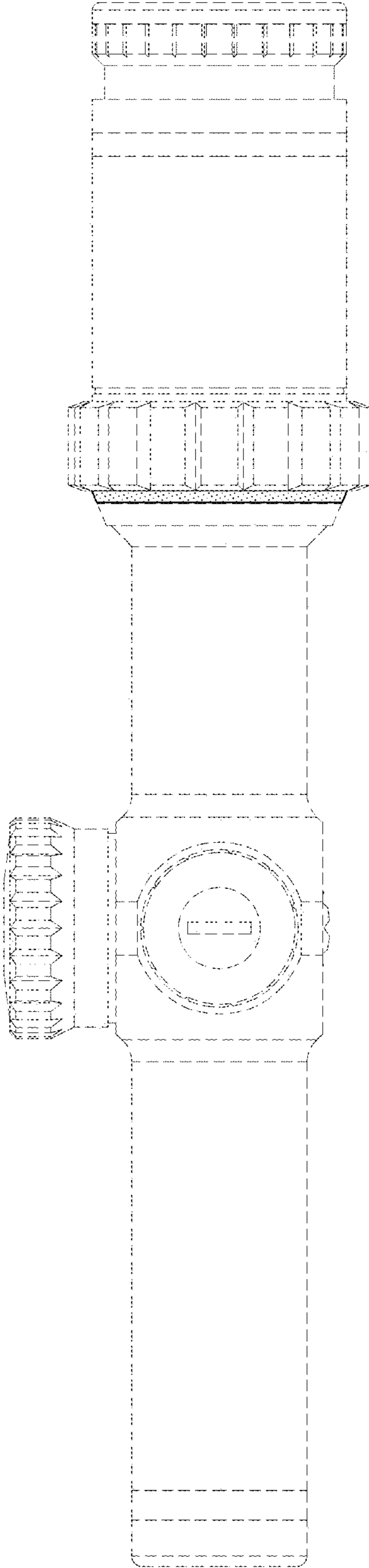


FIG. 4

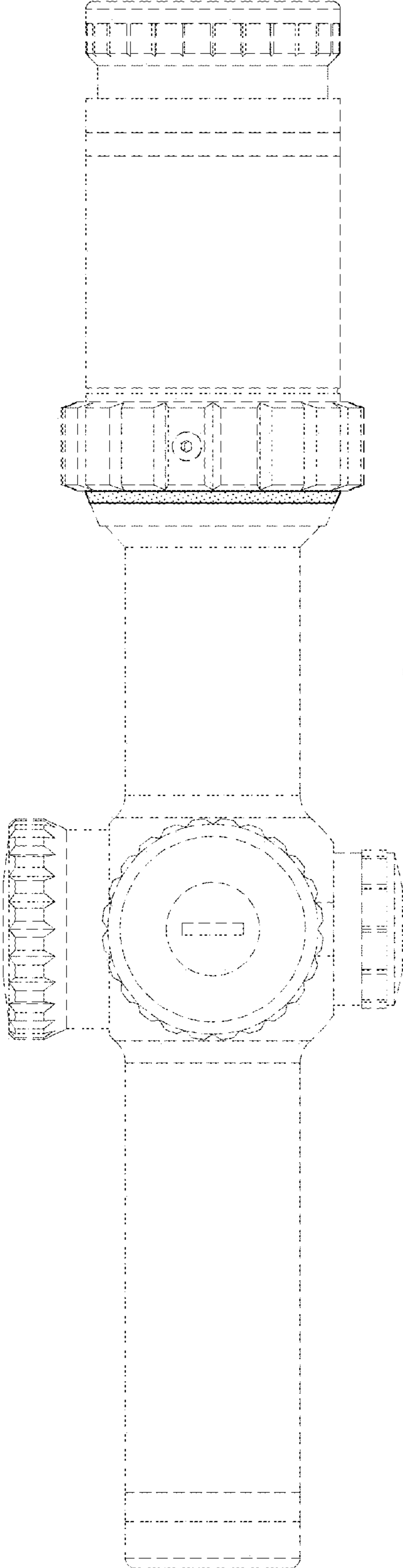


FIG. 5

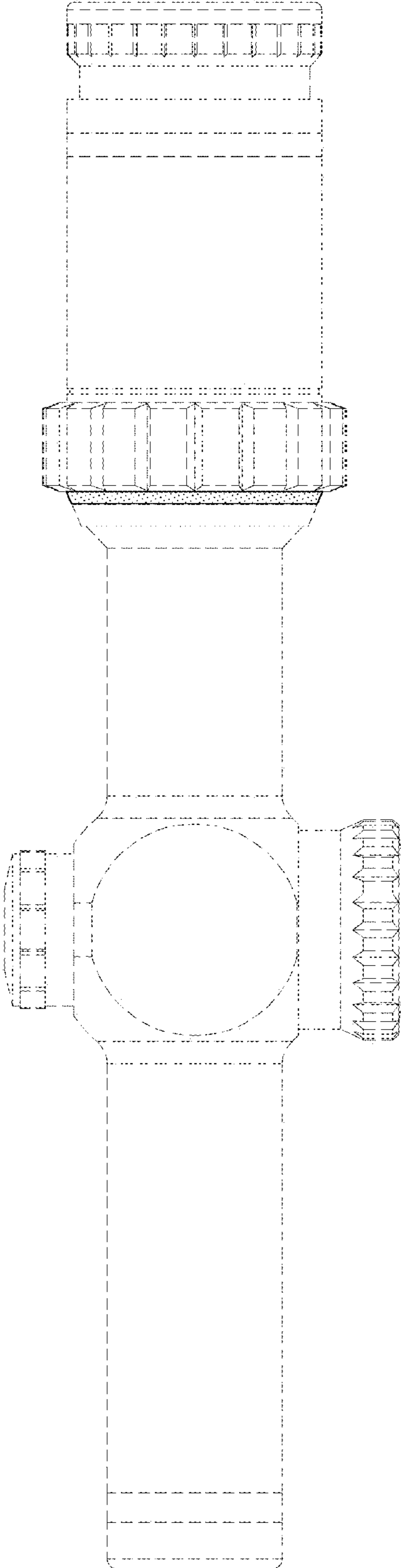


FIG. 6