

US00D756477S

(12) **United States Design Patent**
Chorne

(10) **Patent No.:** **US D756,477 S**

(45) **Date of Patent:** **** May 17, 2016**

(54) **GOLF TARGET ALIGNMENT TRAINING DEVICE**

D555,746 S * 11/2007 Hauskins D21/789
D692,512 S * 10/2013 Fanfelle D21/791
D732,130 S * 6/2015 Covino D21/791

(71) Applicant: **Robert Chorne**, Freeport, NY (US)

* cited by examiner

(72) Inventor: **Robert Chorne**, Freeport, NY (US)

Primary Examiner — Mitchell Siegel

(**) Term: **14 Years**

(57) **CLAIM**

(21) Appl. No.: **29/474,945**

The ornamental design for a golf target alignment training device, as shown and described.

(22) Filed: **Mar. 26, 2015**

DESCRIPTION

(51) **LOC (10) Cl.** **21-02**

(52) **U.S. Cl.**
USPC **D21/791**

(58) **Field of Classification Search**
USPC D21/789, 791, 792, 717
CPC A63B 69/36; A63B 69/3623; A63B 69/3667; A63B 57/10; A63B 57/20
See application file for complete search history.

FIG. 1 is a perspective view of the golf target alignment training device;
FIG. 2 is an enlarged perspective view;
FIG. 3: Top plan view
FIG. 4: Bottom plan view
FIG. 5: Left side elevation
FIG. 6: Right side elevation
FIG. 7: Front end elevation; and,
FIG. 8: Rear end elevation.

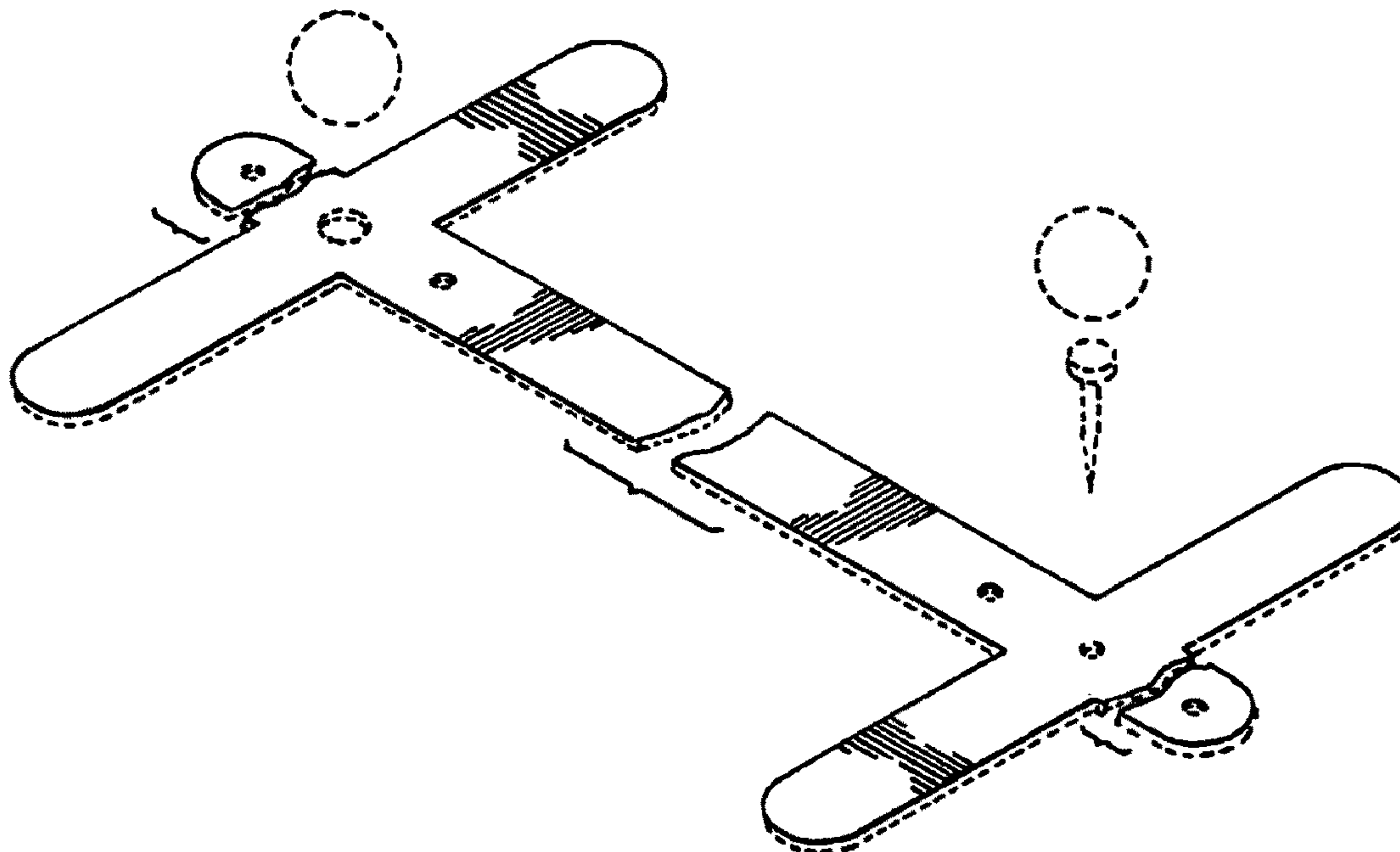
(56) **References Cited**

U.S. PATENT DOCUMENTS

D184,775 S * 3/1959 Smith D21/717
D332,816 S * 1/1993 Tarver D21/791
D339,840 S * 9/1993 Coconate D21/717
D347,457 S * 5/1994 Armstrong, III D21/791
D539,374 S * 3/2007 Whitehouse D21/789

The broken away symbols in the drawings indicate the appearance of any portion of the article between the break lines forms no part of the claimed design.
The broken line showing is included for the purpose of illustrating and forms no part of the claimed design.

1 Claim, 3 Drawing Sheets



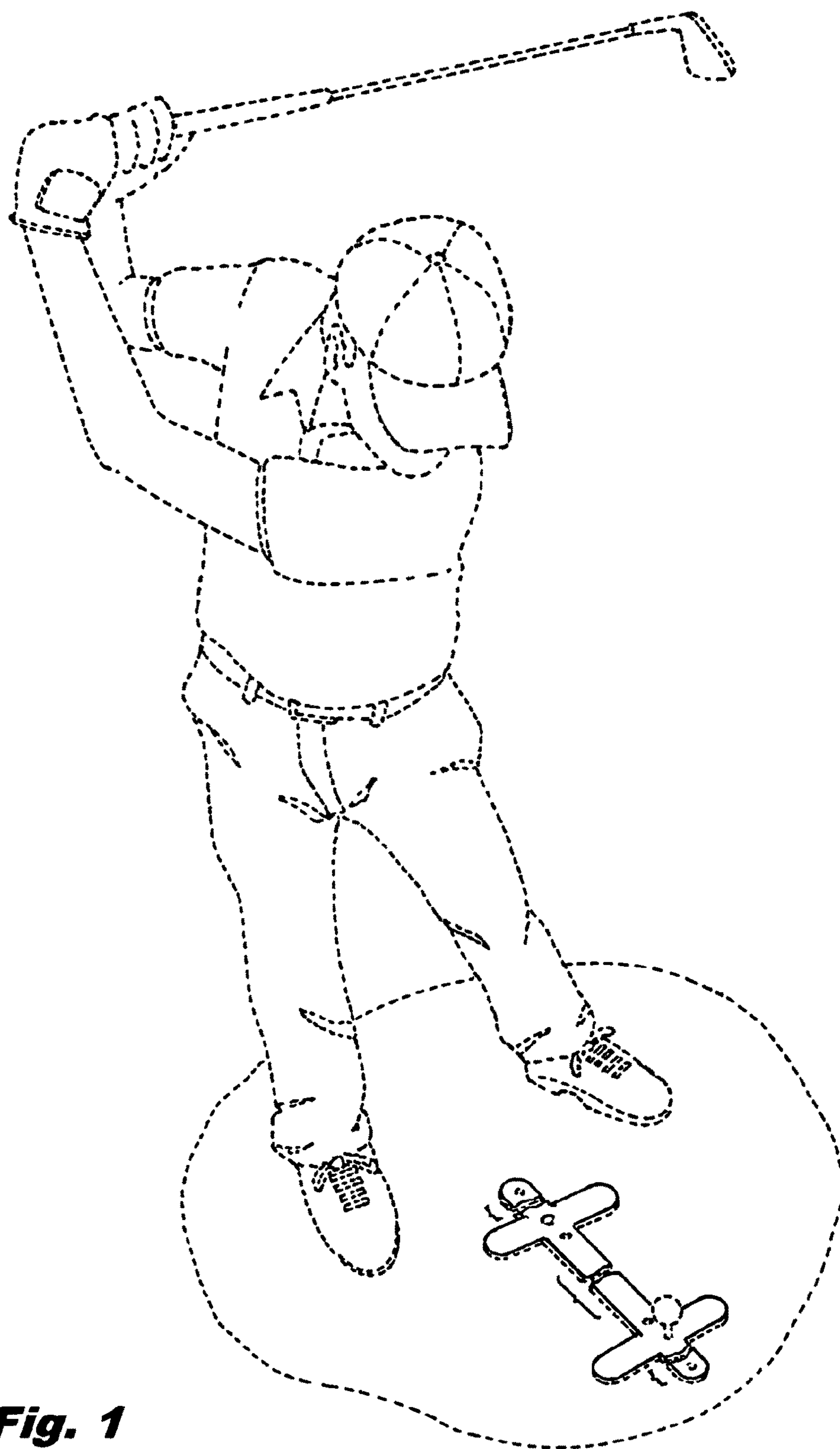


Fig. 1

Fig. 2

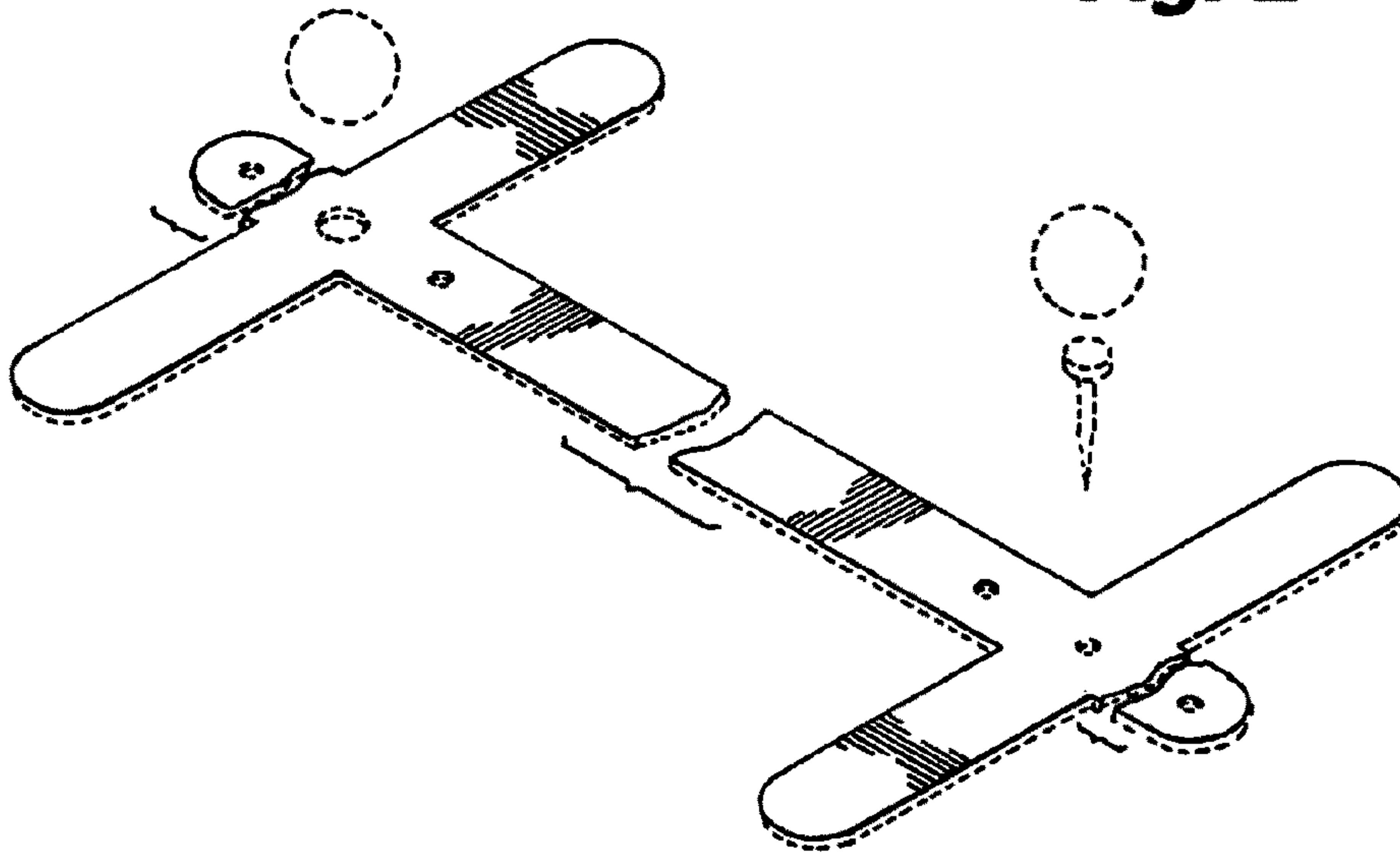


Fig. 3

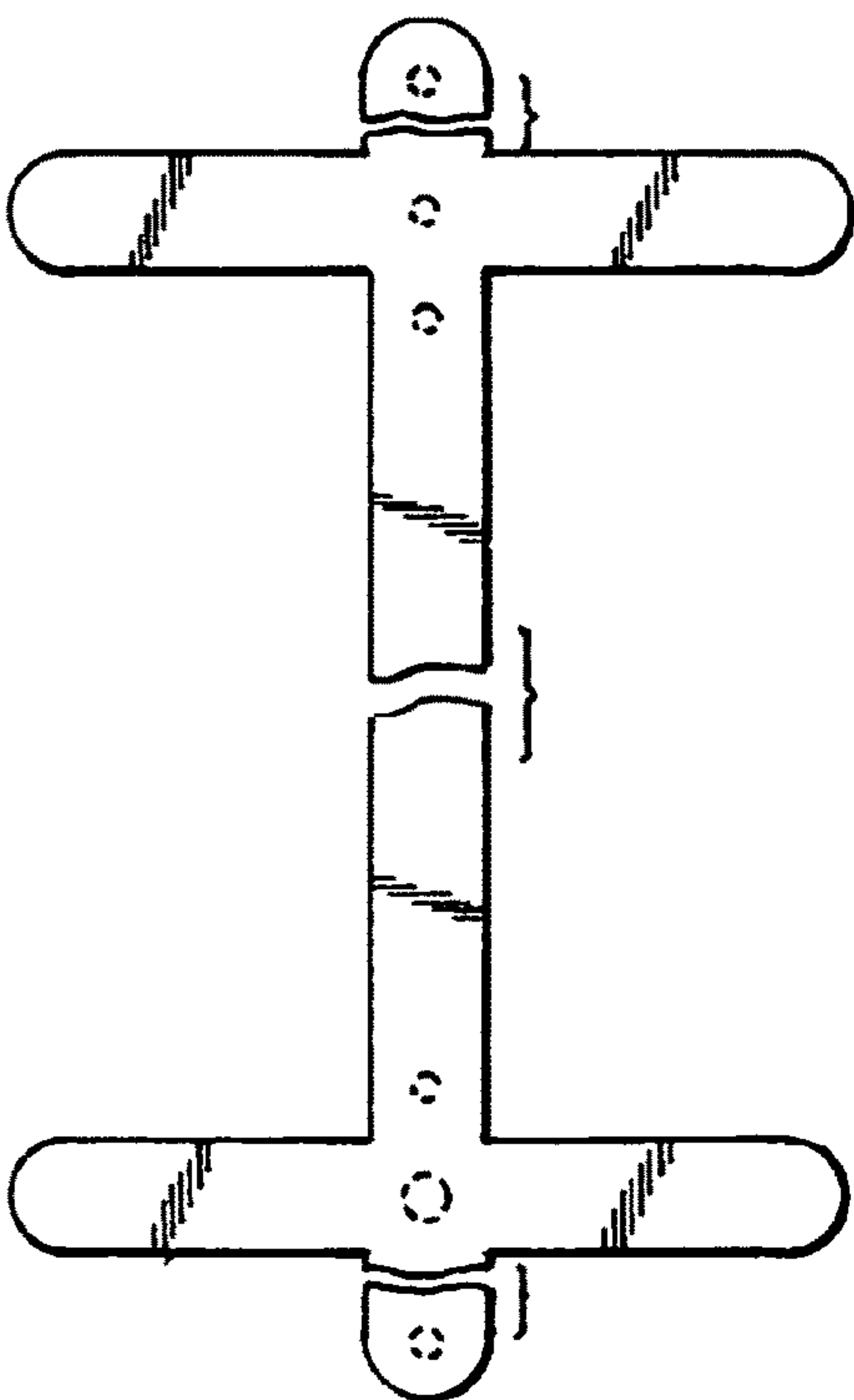


Fig. 4

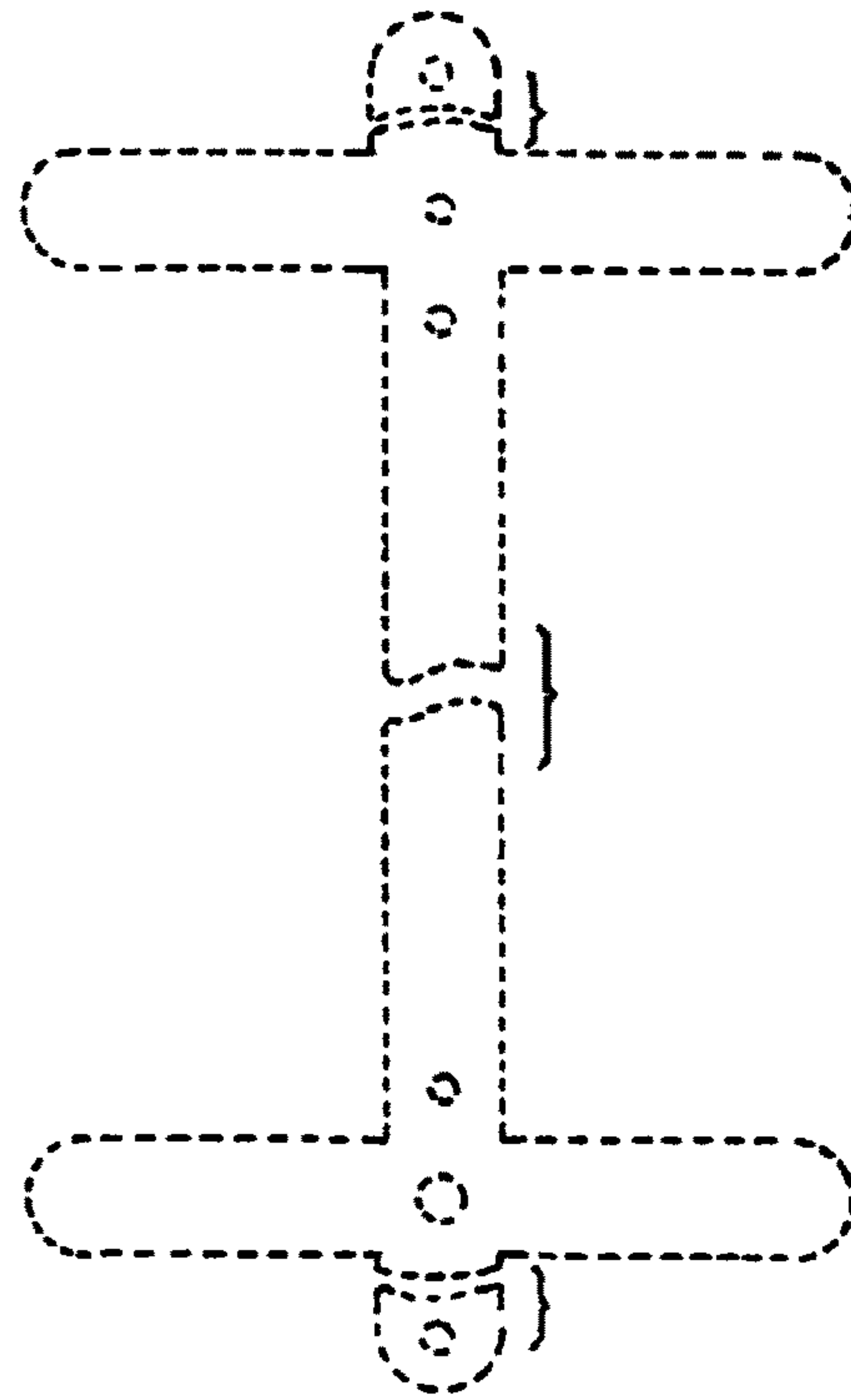




Fig. 5



Fig. 6

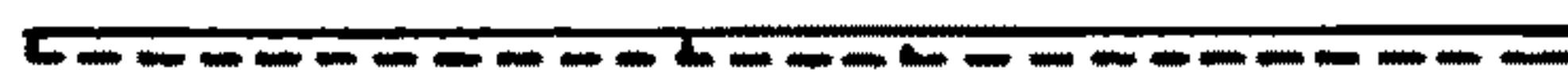


Fig. 7



Fig. 8