



US00D756476S

(12) **United States Design Patent**
Rollinson

(10) **Patent No.:** **US D756,476 S**
(45) **Date of Patent:** **** May 17, 2016**

(54) **GOLF CLUB HOSEL**

(71) Applicant: **CALLAWAY GOLF COMPANY,**
Carlsbad, CA (US)

(72) Inventor: **Augustin W. Rollinson,** Carlsbad, CA
(US)

(73) Assignee: **Callaway Golf Company,** Carlsbad, CA
(US)

(**) Term: **14 Years**

(21) Appl. No.: **29/525,209**

(22) Filed: **Apr. 28, 2015**

(51) **LOC (10) Cl.** **21-02**

(52) **U.S. Cl.**
USPC **D21/759**

(58) **Field of Classification Search**
USPC D21/736-746, 759
CPC .. A63B 53/065; A63B 53/0487; A63B 53/02;
A63B 53/007; A63B 53/00
See application file for complete search history.

(56) **References Cited**

U.S. PATENT DOCUMENTS

D354,536 S *	1/1995	Hazelton	D21/737
D363,101 S *	10/1995	Sturm	D21/746
D368,292 S *	3/1996	Willoughby	D21/738
D381,728 S *	7/1997	Cameron	D21/759
D388,488 S *	12/1997	Cameron	D21/759
D408,064 S *	4/1999	Slucker	D21/736

D409,701 S *	5/1999	Ashcraft	D21/743
D410,982 S *	6/1999	Solheim	D21/759
D436,151 S *	1/2001	Nicolette	D21/759
D443,668 S *	6/2001	Nicolette	D21/759
D464,695 S *	10/2002	Long	D21/759
D495,021 S *	8/2004	Gray	D21/759
D509,866 S *	9/2005	Kwon	D21/736
D584,780 S *	1/2009	Ines	D21/746
D591,379 S *	4/2009	De La Cruz	D21/759
D591,815 S *	5/2009	De La Cruz	D21/759

* cited by examiner

Primary Examiner — Mitchell Siegel

(74) *Attorney, Agent, or Firm* — Rebecca Hanovice;
Michael Catania; Sonia Lari

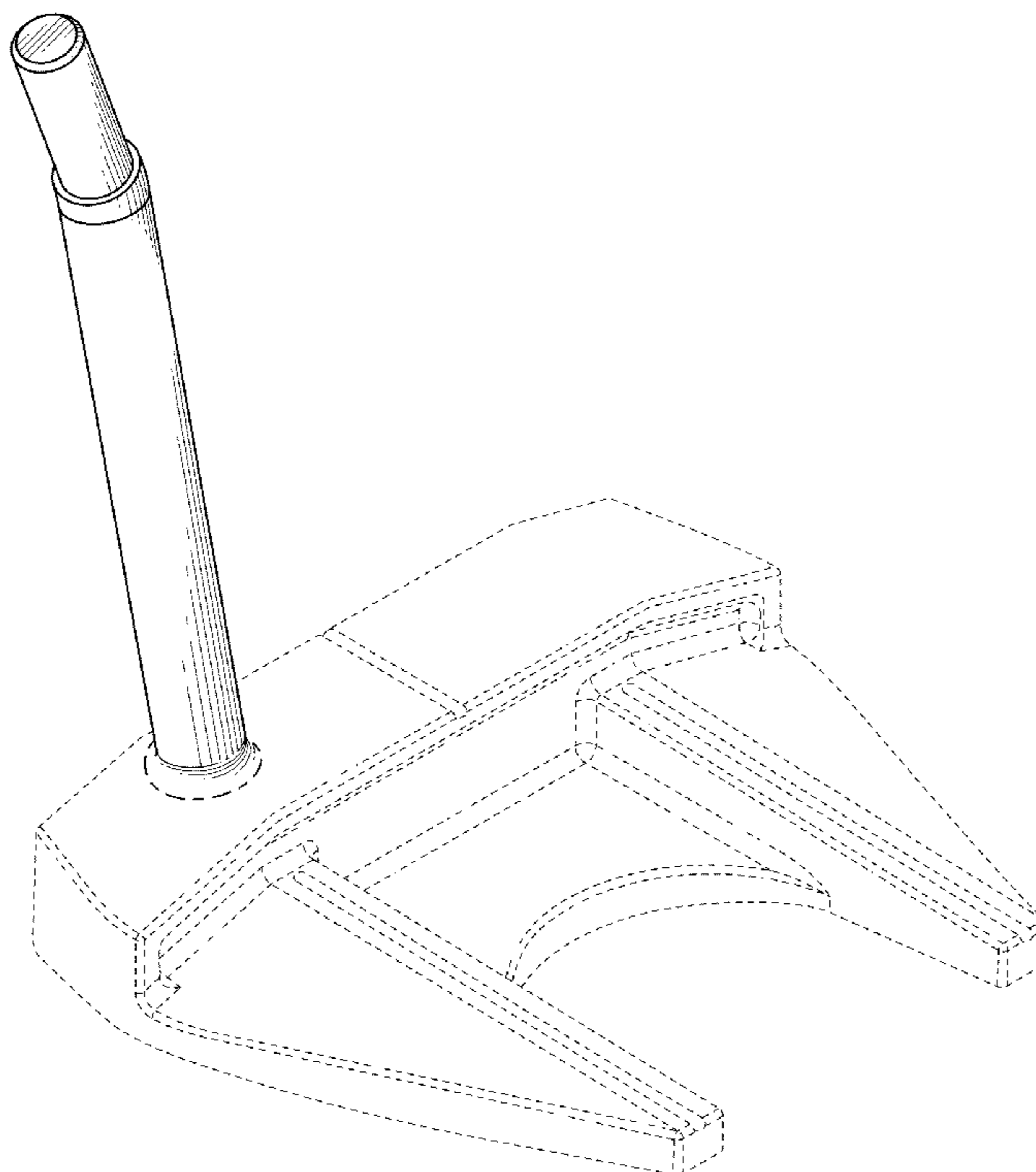
(57) **CLAIM**

The ornamental design for a golf club hosel, as shown and described.

DESCRIPTION

FIG. 1 is a rear perspective view of a the golf club hosel as claimed herein;
FIG. 2 is a front plan view thereof;
FIG. 3 is a rear plan view thereof;
FIG. 4 is a right side perspective view thereof;
FIG. 5 is a left side perspective view thereof;
FIG. 6 is a top plan view thereof; and,
FIG. 7 is a bottom plan view thereof.
The broken lines showing a golf club head are included for the purpose of illustration and form no part of the claimed design.

1 Claim, 7 Drawing Sheets



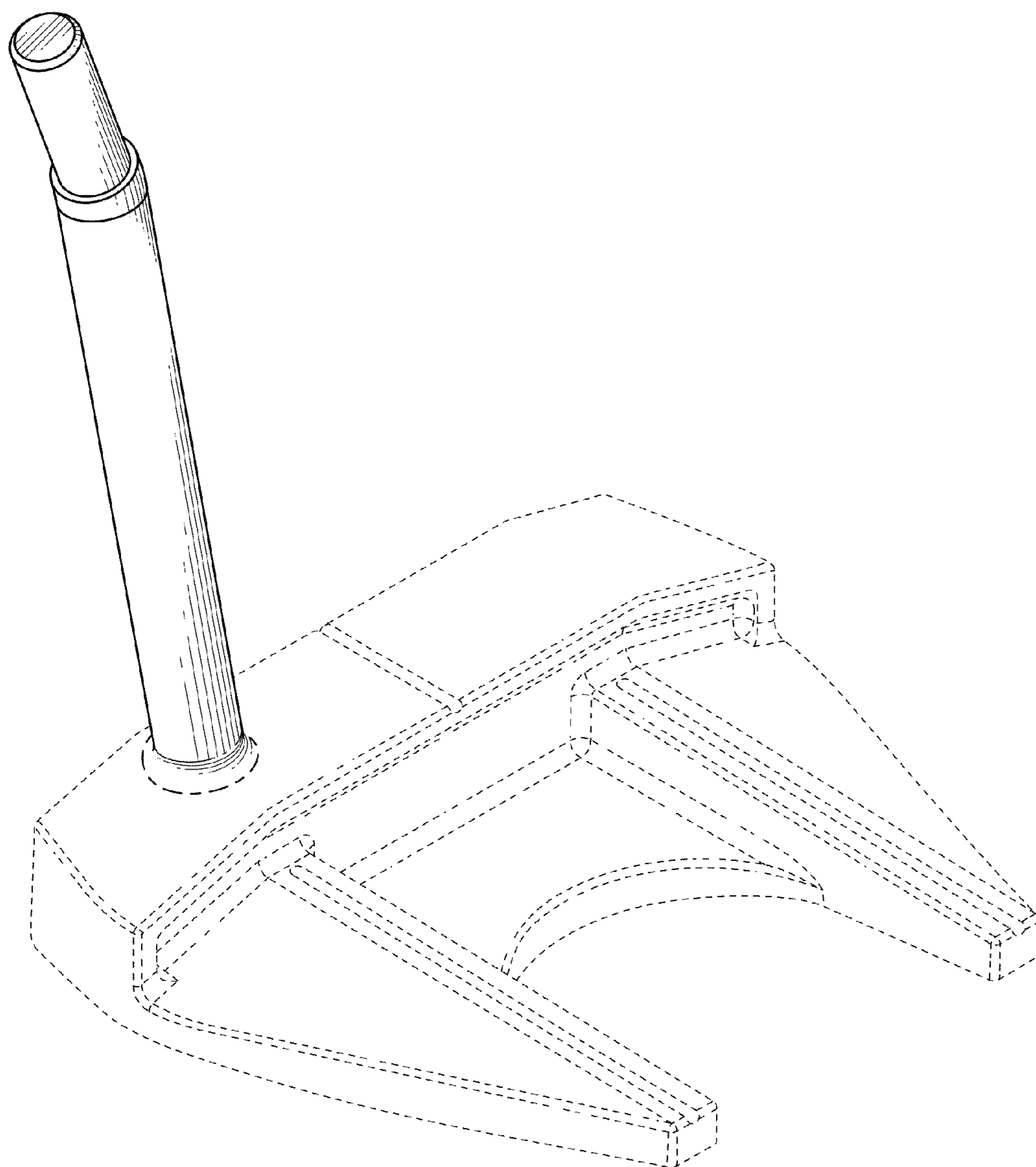


FIG. 1

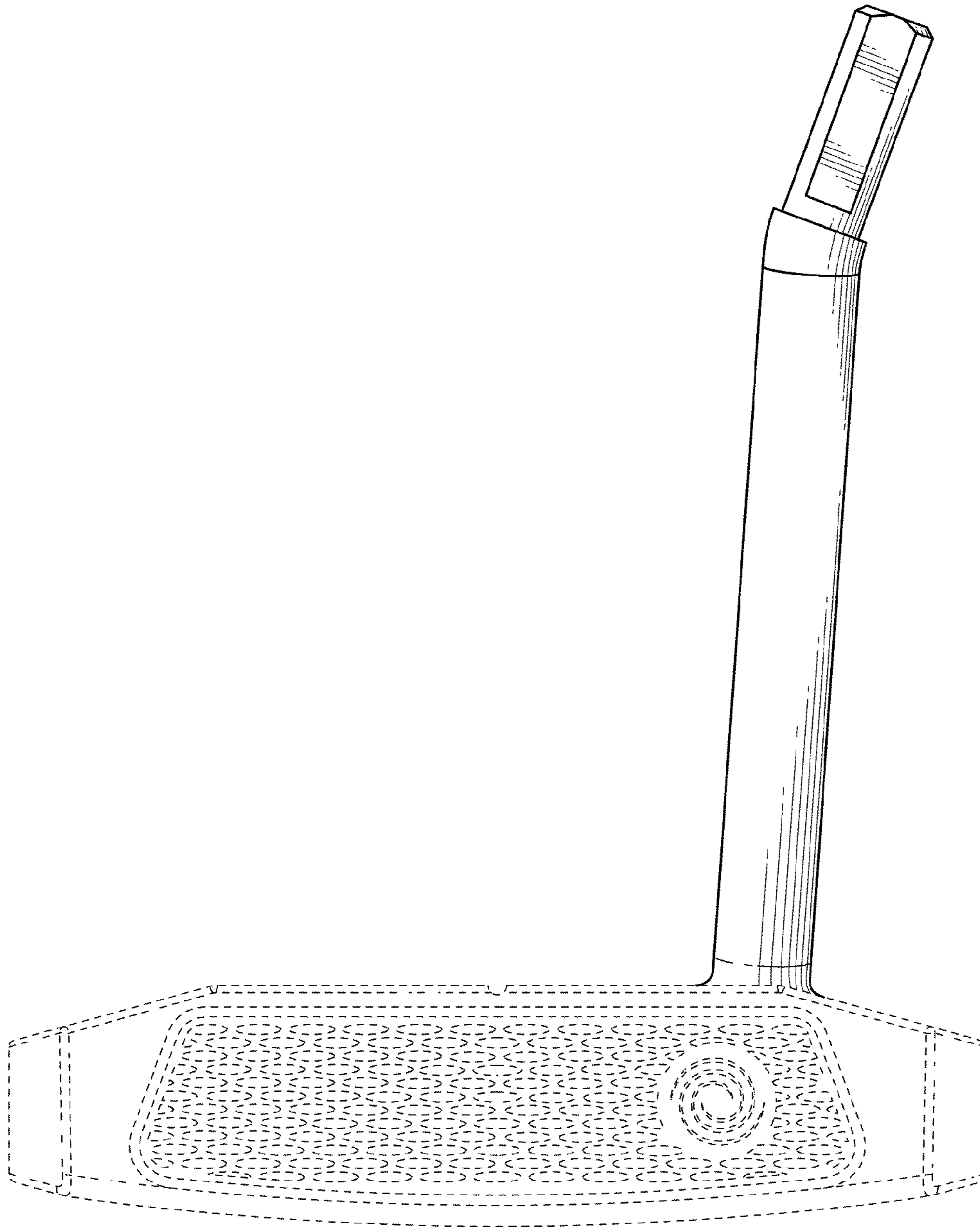


FIG. 2

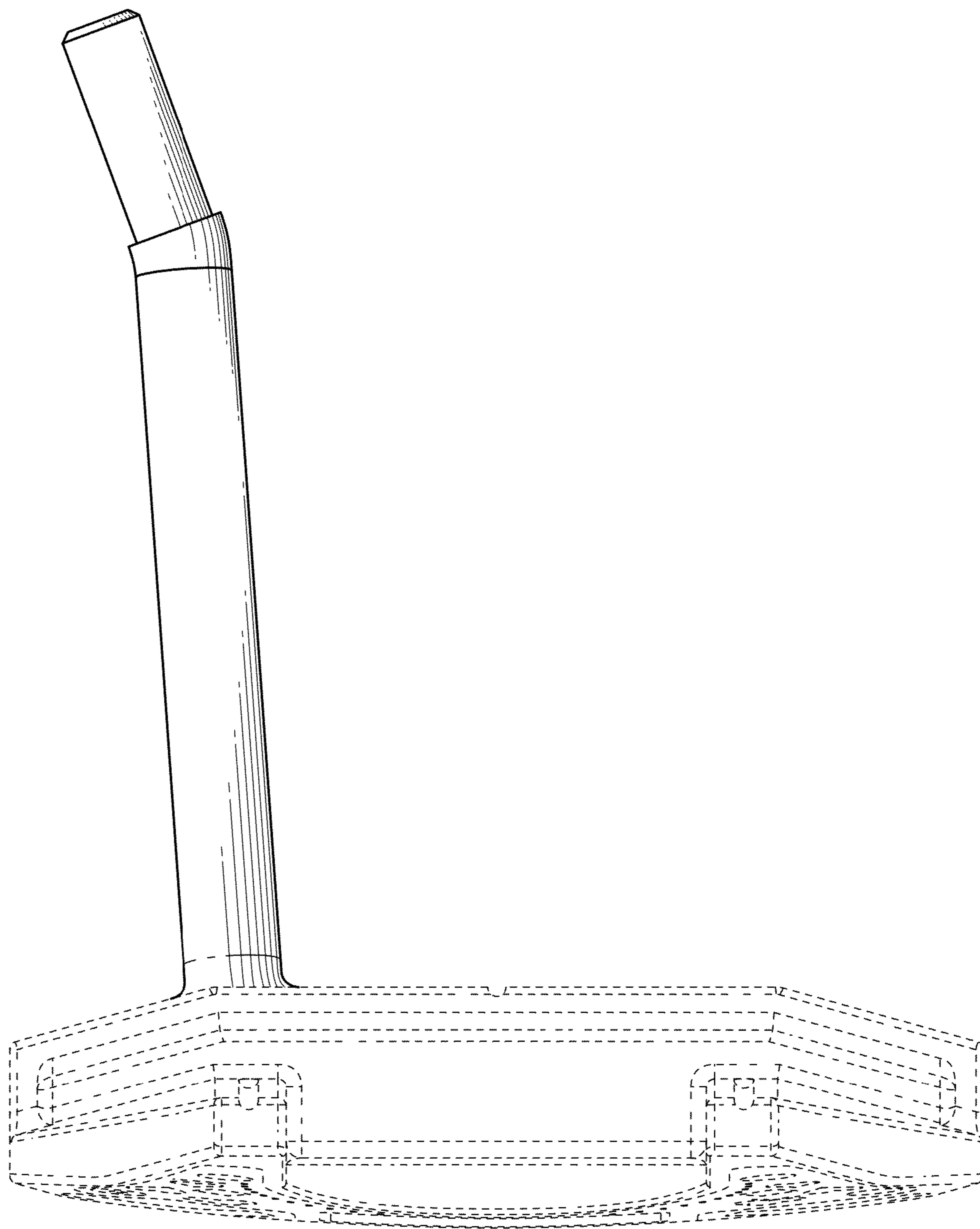


FIG. 3

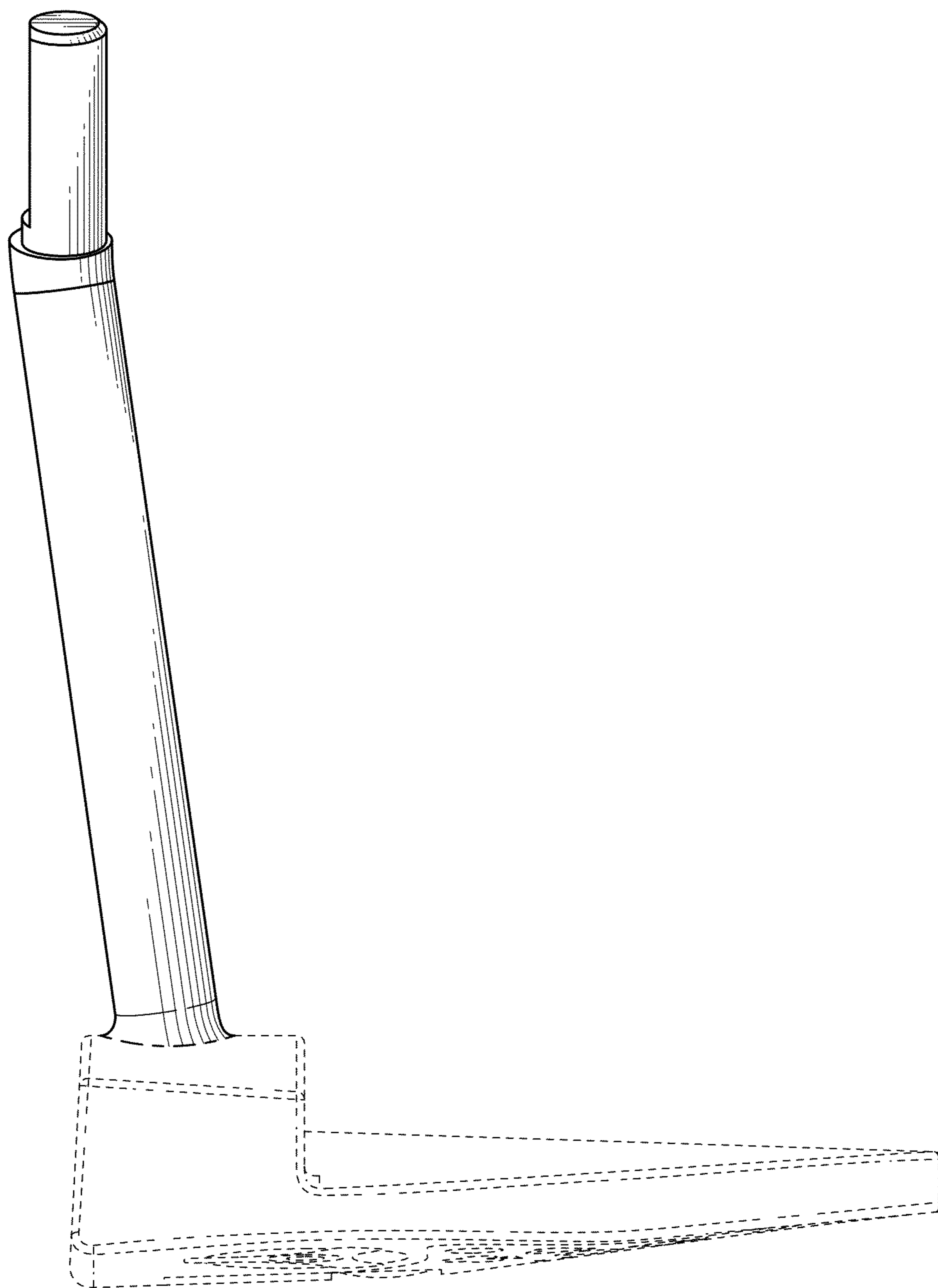


FIG. 4

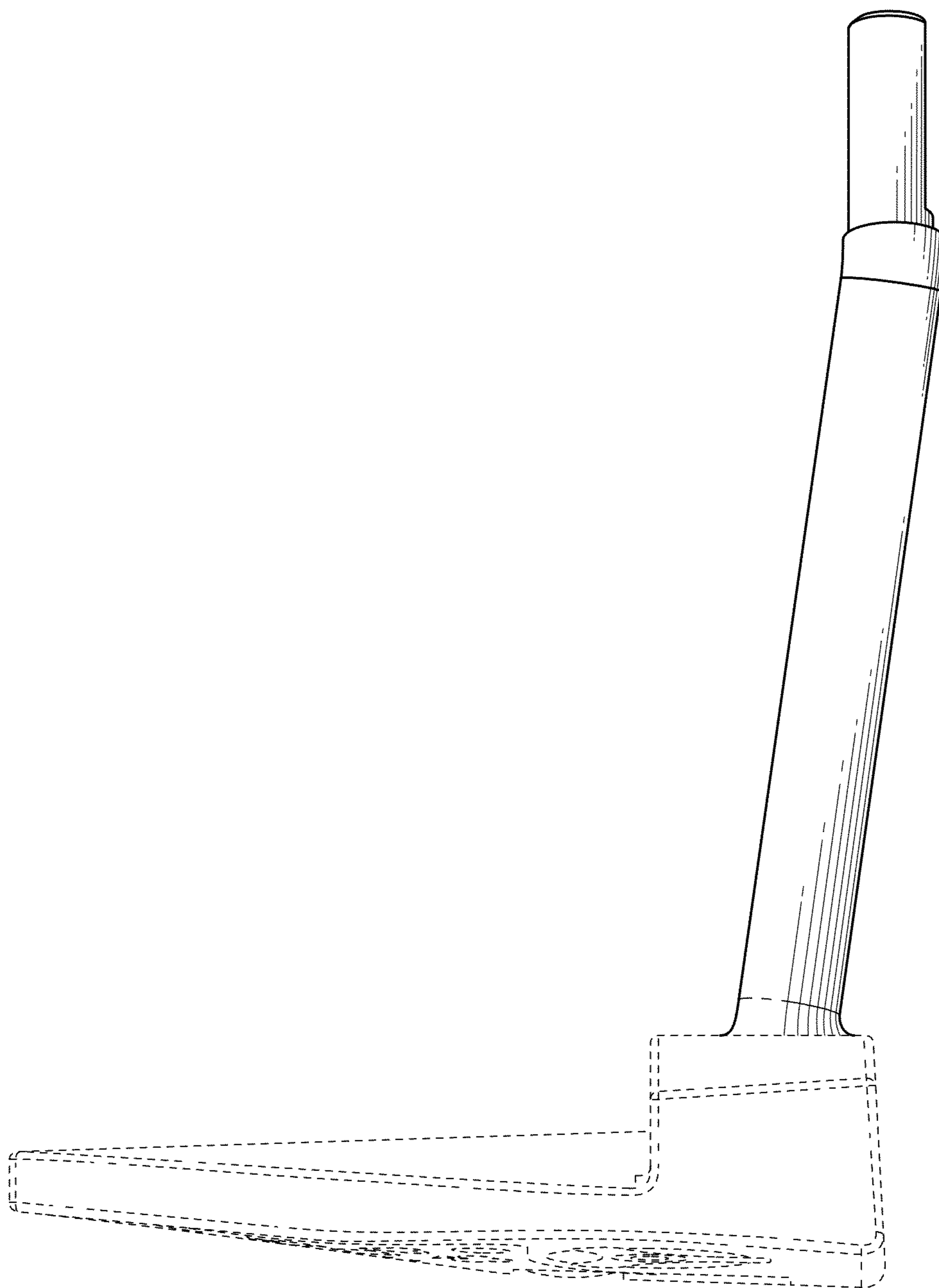


FIG. 5

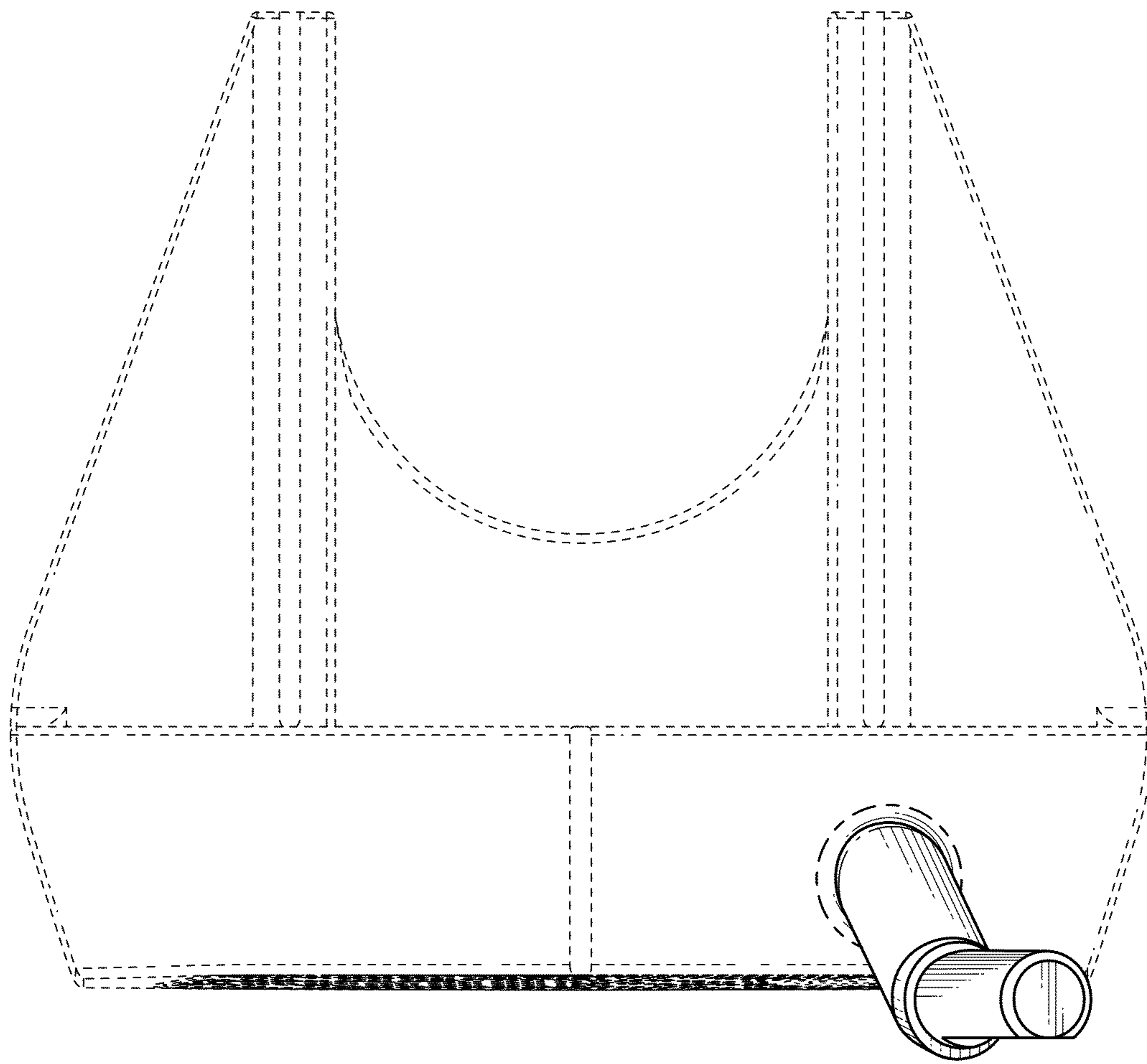


FIG. 6

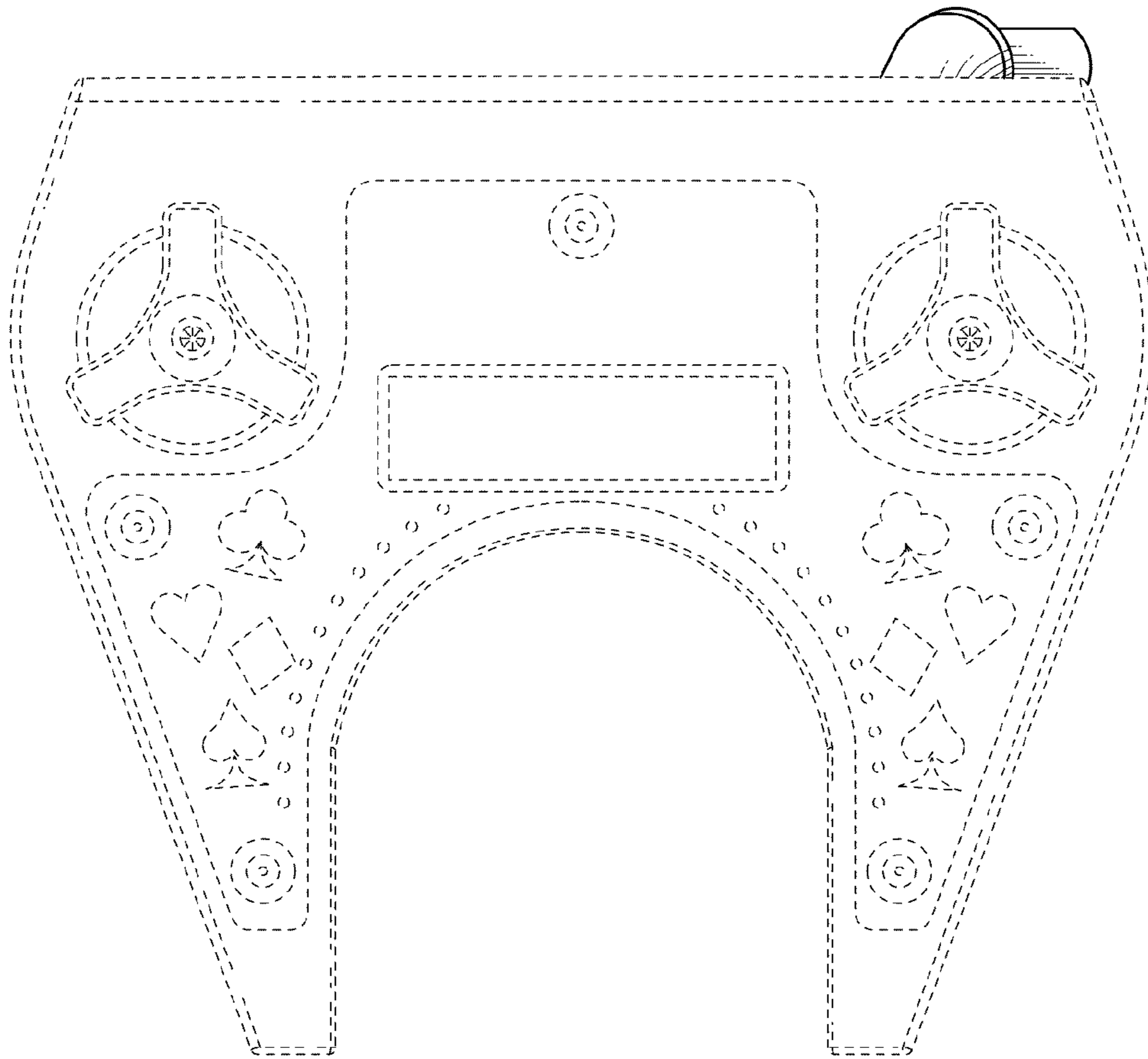


FIG. 7