



US00D756471S

(12) **United States Design Patent**
Nicolette et al.

(10) **Patent No.:** **US D756,471 S**

(45) **Date of Patent:** **** *May 17, 2016**

(54) **GOLF CLUB HEAD**

(71) Applicant: **PARSONS XTREME GOLF, LLC**,
Scottsdale, AZ (US)

(72) Inventors: **Michael R. Nicolette**, Scottsdale, AZ
(US); **Bradley D. Schweigert**, Anthem,
AZ (US)

(73) Assignee: **PARSONS XTREME GOLF, LLC**,
Scottsdale, AZ (US)

(*) Notice: This patent is subject to a terminal dis-
claimer.

(**) Term: **14 Years**

(21) Appl. No.: **29/515,013**

(22) Filed: **Jan. 20, 2015**

Related U.S. Application Data

(63) Continuation-in-part of application No. 29/501,006,
filed on Aug. 29, 2014, now Pat. No. Des. 722,352.

(51) **LOC (10) Cl.** **21-02**

(52) **U.S. Cl.**
USPC **D21/747**

(58) **Field of Classification Search**
USPC D21/747-751, 759
CPC A63B 53/00; A63B 53/04; A63B 53/047;
A63B 53/0475
See application file for complete search history.

(56) **References Cited**

U.S. PATENT DOCUMENTS

4,502,687 A 3/1985 Kochevar
D294,617 S 3/1988 Perkins
4,754,977 A * 7/1988 Sahm A63B 53/04
473/337

5,154,424 A 10/1992 Lo
5,158,296 A 10/1992 Lee
D336,672 S 6/1993 Gorman
5,351,958 A 10/1994 Helmstetter
5,411,255 A 5/1995 Kurashima et al.
5,419,560 A 5/1995 Bamber
D362,884 S 10/1995 Blough et al.
D362,885 S 10/1995 Blough et al.
D362,887 S 10/1995 Blough et al.

(Continued)

OTHER PUBLICATIONS

U.S. Appl. No. 14/498,603, Parsons et al., "Golf Club Heads and
Methods to Manufacture Gold Club Heads," filed Sep. 26, 2014.

(Continued)

Primary Examiner — Mitchell Siegel

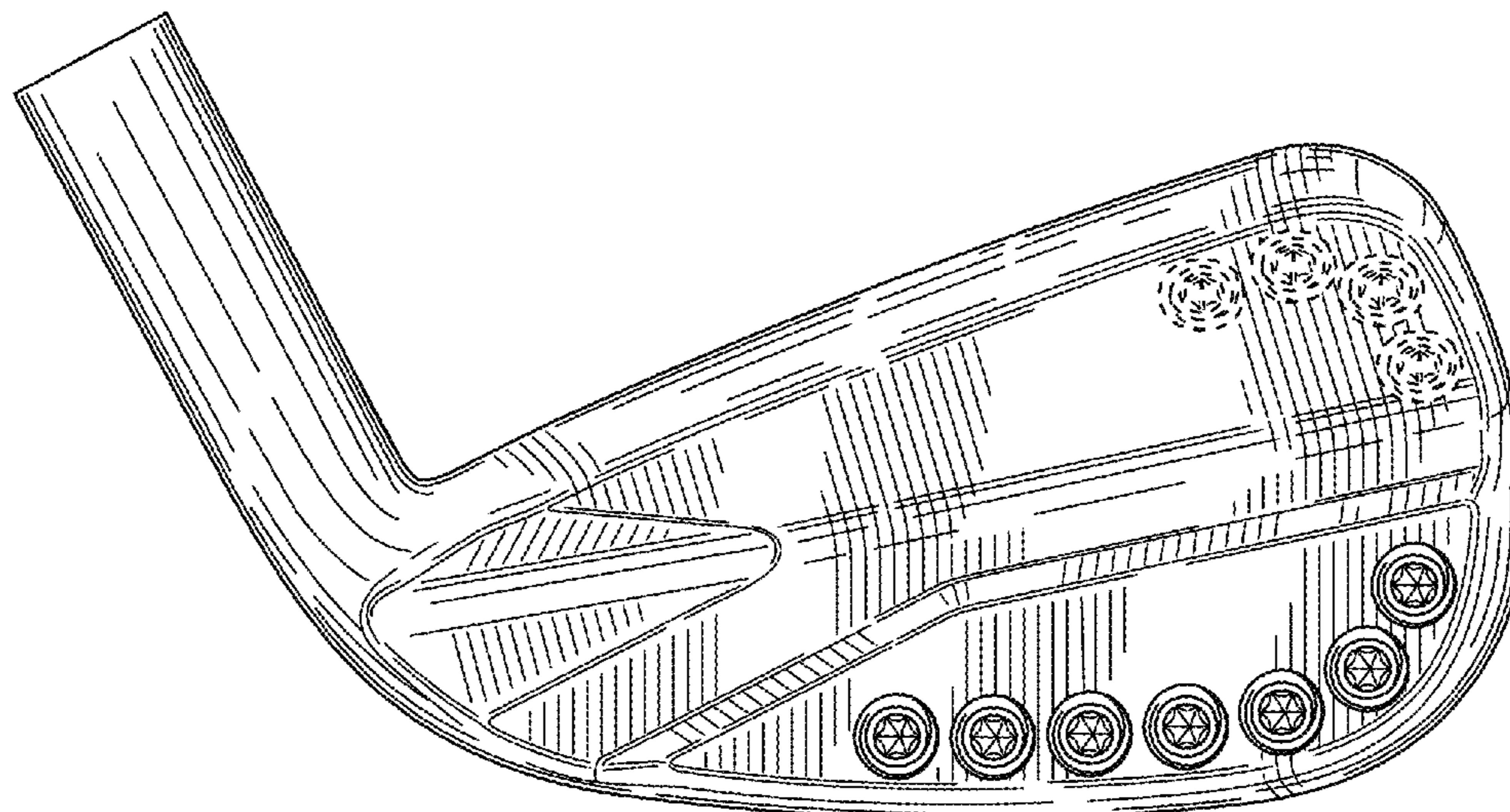
(57) **CLAIM**

The ornamental design for a golf club head, as shown and
described.

DESCRIPTION

FIG. 1 is a top perspective view of a golf club head;
FIG. 2 is a bottom perspective view of the golf club head of
FIG. 1;
FIG. 3 is a front elevational view of the golf club head of FIG.
1;
FIG. 4 is a rear elevational view of the golf club head of FIG.
1;
FIG. 5 is a top view of the golf club head of FIG. 1;
FIG. 6 is a bottom view of the golf club head of FIG. 1;
FIG. 7 is a right side view of the golf club head of FIG. 1; and,
FIG. 8 is a left side view of the golf club head of FIG. 1.
The broken lines connecting the solid lines represent the
bounds of the claim. The remaining broken lines illustrate the
environment. None of the broken lines forms part of the
claimed design.

1 Claim, 4 Drawing Sheets



(56)

References Cited

U.S. PATENT DOCUMENTS

D370,514 S	6/1996	Blough et al.	7,413,518 B2	8/2008	Cole et al.
5,540,437 A	7/1996	Bamber	D577,783 S	9/2008	Schweigert et al.
5,669,830 A	9/1997	Bamber	D578,590 S	10/2008	Schweigert et al.
5,766,091 A	6/1998	Humphrey et al.	D581,000 S	11/2008	Nicolette et al.
5,827,132 A	10/1998	Bamber	D581,004 S	11/2008	Schweigert et al.
D408,485 S	4/1999	Takahashi et al.	D584,370 S	1/2009	Cleveland et al.
D421,080 S *	2/2000	Chen D21/747	D596,256 S	7/2009	Schweigert et al.
D426,276 S *	6/2000	Besnard D21/747	D596,257 S	7/2009	Jertson et al.
6,077,171 A	6/2000	Yoneyama	D596,258 S	7/2009	Jertson et al.
6,162,133 A	12/2000	Peterson	D596,688 S	7/2009	Schweigert et al.
6,290,609 B1	9/2001	Takeda	D597,158 S	7/2009	Schweigert et al.
6,348,014 B1 *	2/2002	Chiu A63B 53/065 473/337	D600,763 S *	9/2009	Cameron D21/759
D458,328 S	6/2002	Solheim et al.	D601,216 S	9/2009	Jertson et al.
D469,833 S	2/2003	Roberts et al.	7,588,502 B2	9/2009	Nishino
6,533,681 B2	3/2003	Inoue et al.	7,601,075 B2	10/2009	Cole et al.
D473,605 S	4/2003	Petersen et al.	D604,783 S	11/2009	Nicolette et al.
D475,107 S	5/2003	Madore	D618,293 S	6/2010	Foster et al.
6,695,714 B1	2/2004	Bliss et al.	7,736,243 B2	6/2010	Sanchez et al.
6,702,693 B2	3/2004	Bamber	D621,893 S	8/2010	Nicolette et al.
D492,376 S	6/2004	Nicolette et al.	D621,894 S	8/2010	Schweigert
D494,240 S	8/2004	Schweigert	D621,895 S	8/2010	Schweigert et al.
D494,648 S	8/2004	Schweigert et al.	7,766,765 B2	8/2010	Oyama
D497,963 S	11/2004	Toulon et al.	D627,409 S	11/2010	Schweigert et al.
D500,350 S	12/2004	Schweigert et al.	D627,410 S	11/2010	Nicolette et al.
D500,351 S	12/2004	Schweigert et al.	D635,627 S	4/2011	Nicolette
D502,237 S	2/2005	Schweigert et al.	7,938,738 B2	5/2011	Roach
D502,975 S	3/2005	Schweigert et al.	D642,642 S	8/2011	Jertson et al.
D503,204 S	3/2005	Nicolette et al.	D643,491 S	8/2011	Stokke et al.
D504,925 S	5/2005	Schweigert et al.	D643,492 S	8/2011	Nicolette et al.
D505,171 S	5/2005	Schweigert et al.	D643,896 S	8/2011	Jertson et al.
D507,320 S	7/2005	Roberts et al.	D647,582 S	10/2011	Nicolette et al.
D507,614 S	7/2005	Schweigert et al.	D649,211 S	11/2011	Jertson et al.
D508,099 S	8/2005	Schweigert et al.	8,062,150 B2	11/2011	Gilbert et al.
D508,545 S	8/2005	Roberts et al.	D651,268 S	12/2011	Nicolette et al.
6,949,031 B2	9/2005	Imamoto et al.	8,092,319 B1	1/2012	Cackett et al.
D512,116 S *	11/2005	Mirafior D21/759	8,105,180 B1	1/2012	Cackett et al.
D514,183 S	1/2006	Schweigert et al.	8,142,307 B2	3/2012	Sanchez et al.
D516,650 S	3/2006	Wolfe et al.	D661,753 S *	6/2012	Cameron D21/759
D523,501 S	6/2006	Nicolette et al.	8,221,262 B1	7/2012	Cackett et al.
D523,917 S	6/2006	Wolfe et al.	D670,775 S	11/2012	Jertson et al.
D530,759 S	10/2006	Nicolette et al.	D672,417 S	12/2012	Jertson et al.
D530,760 S	10/2006	Schweigert et al.	D673,633 S	1/2013	Jertson et al.
7,121,956 B2	10/2006	Lo	D673,634 S	1/2013	Jertson et al.
7,128,663 B2	10/2006	Bamber	8,376,878 B2	2/2013	Bennett et al.
D532,849 S	11/2006	Nicolette et al.	D680,603 S	4/2013	Nicolette et al.
D534,228 S	12/2006	Nicolette et al.	D681,142 S	4/2013	Fossum et al.
D534,595 S *	1/2007	Hasebe D21/747	D681,143 S	4/2013	Nicolette et al.
D534,597 S	1/2007	Nicolette et al.	8,506,420 B2	8/2013	Hocknell et al.
D536,759 S	2/2007	Schweigert et al.	8,574,094 B2	11/2013	Nicolette et al.
D537,494 S	2/2007	Jertson et al.	8,657,700 B2	2/2014	Nicolette et al.
D538,366 S	3/2007	Nicolette et al.	8,690,710 B2	4/2014	Nicolette et al.
D539,864 S	4/2007	Nicolette et al.	8,753,230 B2	6/2014	Stokke et al.
D540,898 S	4/2007	Solheim et al.	D708,688 S	7/2014	Nicolette et al.
D541,360 S	4/2007	Schweigert et al.	D722,350 S *	2/2015	Schweigert D21/735
7,207,900 B2	4/2007	Nicolette et al.	D722,351 S *	2/2015	Parsons D21/736
D543,601 S *	5/2007	Kawami D21/759	D722,352 S *	2/2015	Nicolette D21/747
D544,056 S	6/2007	Nicolette et al.	D723,120 S *	2/2015	Nicolette D21/747
D547,410 S	7/2007	Nicolette et al.	D725,208 S *	3/2015	Schweigert D21/743
D555,219 S *	11/2007	Lin D21/759	D726,265 S *	4/2015	Nicolette D21/747
D561,855 S	2/2008	Schweigert et al.	D726,846 S *	4/2015	Schweigert D21/743
D562,925 S	2/2008	Schweigert et al.	D738,449 S *	9/2015	Schweigert D21/759
7,351,164 B2	4/2008	Schweigert et al.	D739,487 S *	9/2015	Schweigert D21/759
D570,435 S	6/2008	Sanchez et al.	D741,426 S *	10/2015	Schweigert D21/736
D570,935 S	6/2008	Nicolette et al.	2002/0107087 A1	8/2002	Fagot
D570,936 S	6/2008	Schweigert et al.	2004/0204263 A1	10/2004	Fagot et al.
D570,942 S	6/2008	Chen et al.	2005/0009632 A1	1/2005	Schweigert et al.
D571,422 S	6/2008	Schweigert et al.	2005/0014573 A1	1/2005	Lee
D571,425 S	6/2008	Chen et al.	2005/0096148 A1	5/2005	Noble et al.
D571,427 S	6/2008	Schweigert et al.	2005/0277485 A1	12/2005	Hou et al.
D571,881 S	6/2008	Nicolette et al.	2007/0032308 A1	2/2007	Fagot et al.
D572,326 S	7/2008	Schweigert et al.	2007/0225084 A1	9/2007	Schweigert et al.
D572,329 S	7/2008	Nicolette et al.	2008/0058113 A1	3/2008	Nicolette et al.
D573,219 S	7/2008	Schweigert et al.	2008/0300065 A1	12/2008	Schweigert
7,396,299 B2	7/2008	Nicolette et al.	2009/0029790 A1	1/2009	Nicolette et al.
			2010/0130306 A1	5/2010	Schweigert
			2010/0178999 A1	7/2010	Nicolette et al.
			2011/0111883 A1	5/2011	Cackett
			2011/0165963 A1	7/2011	Cackett et al.
			2013/0137532 A1	5/2013	Deshmukh et al.

(56)

References Cited

U.S. PATENT DOCUMENTS

2013/0288823 A1 10/2013 Hebreo
2014/0080621 A1 3/2014 Nicolette et al.
2014/0128175 A1 5/2014 Jertson et al.

OTHER PUBLICATIONS

U.S. Appl. No. 14/513,073, Parsons et al., "Golf Club Heads and Methods to Manufacture Golf Club Heads," filed Oct. 13, 2014.

U.S. Appl. No. 29/506,825, Nicolette, "Golf Club Head," filed Oct. 21, 2014.

U.S. Appl. No. 29/511,482, Nicolette et al., "Golf Club Head," filed Dec. 11, 2014.

U.S. Appl. No. 29/512,313, Nicolette, "Golf Club Head," filed Dec. 18, 2014.

U.S. Appl. No. 14/589,277, Parsons et al., "Golf Club Heads and Methods to Manufacture Golf Club Heads," filed Jan. 5, 2015.

U.S. Appl. No. 29/514,256, Nicolette et al., "Golf Club Head," filed Jan. 9, 2015.

* cited by examiner

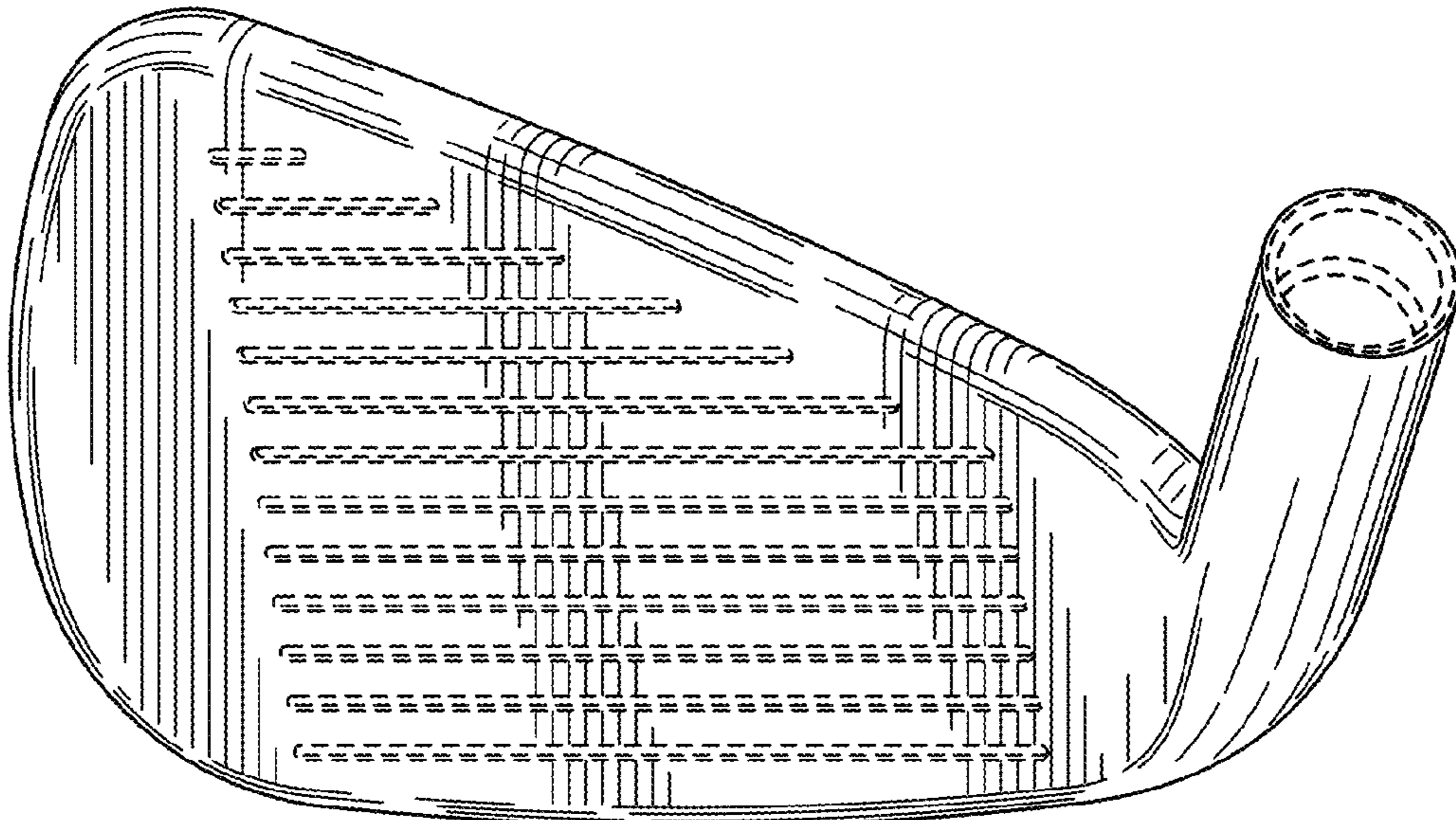


FIG. 1

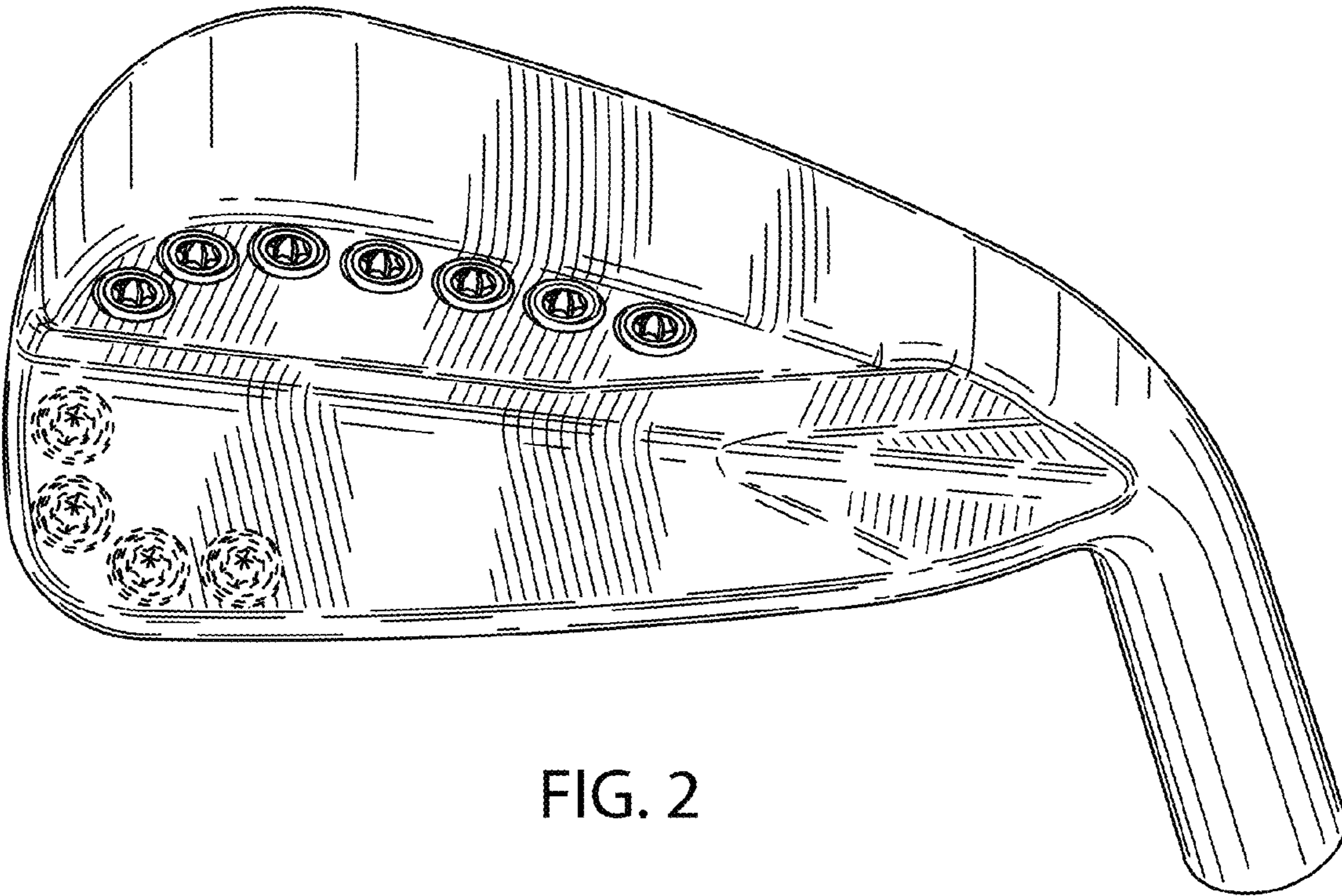


FIG. 2

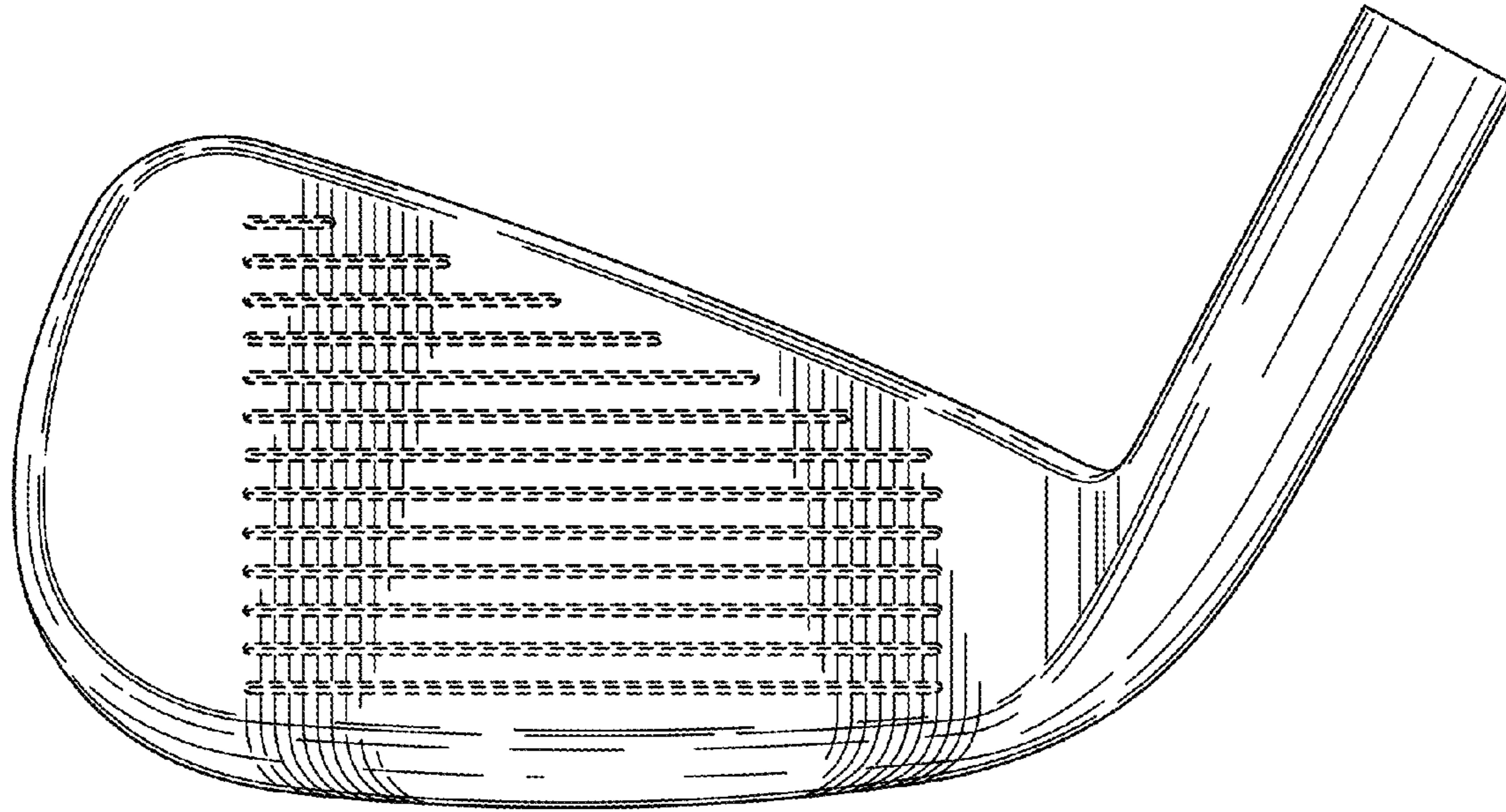


FIG. 3

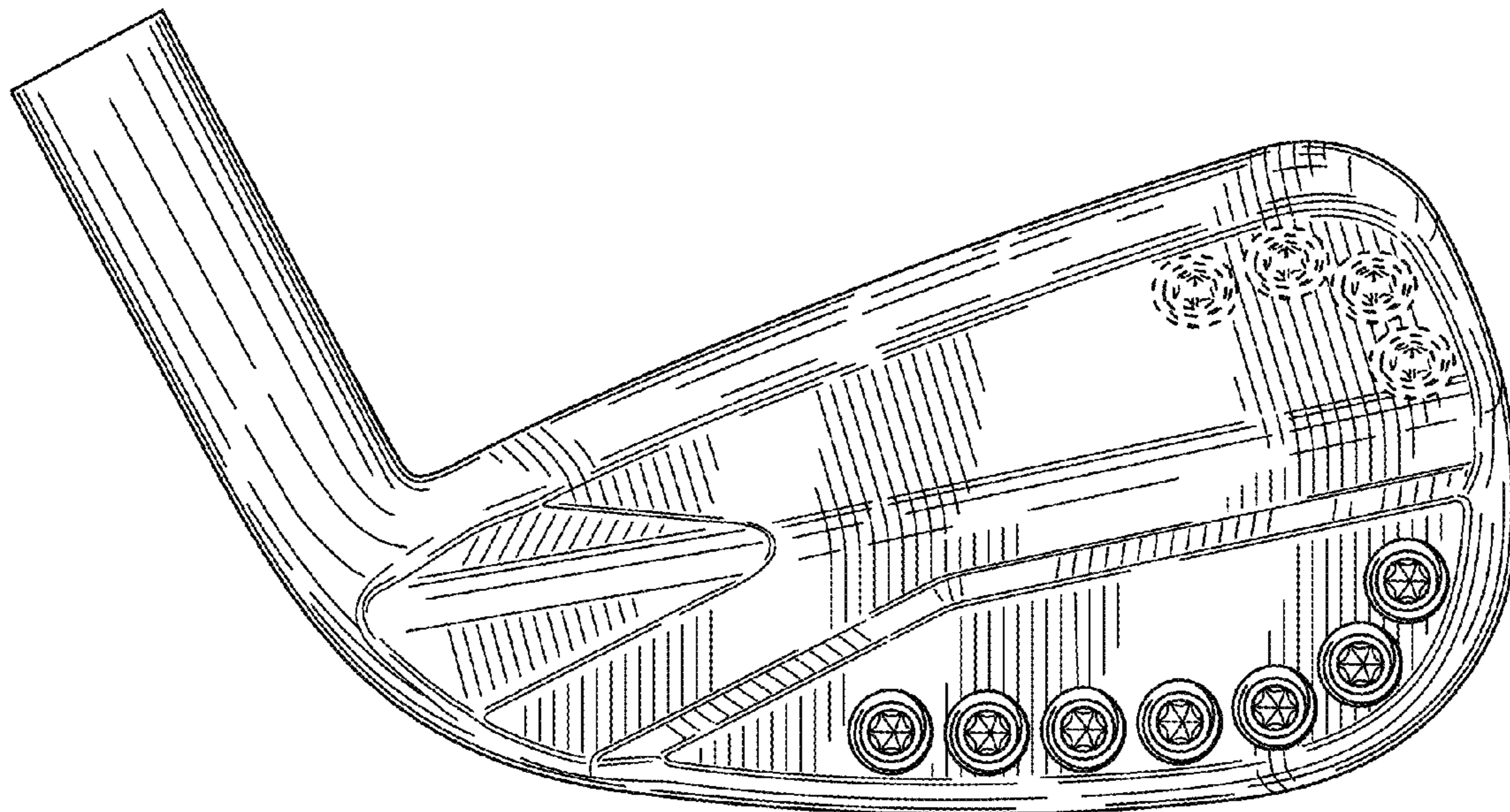


FIG. 4

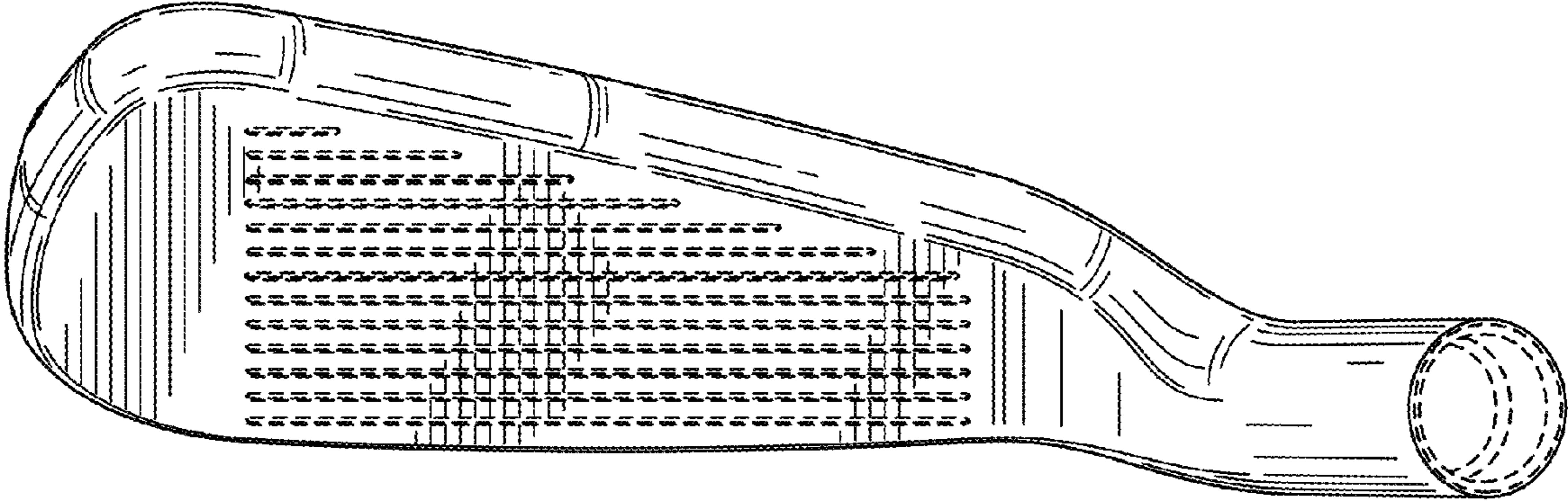


FIG. 5

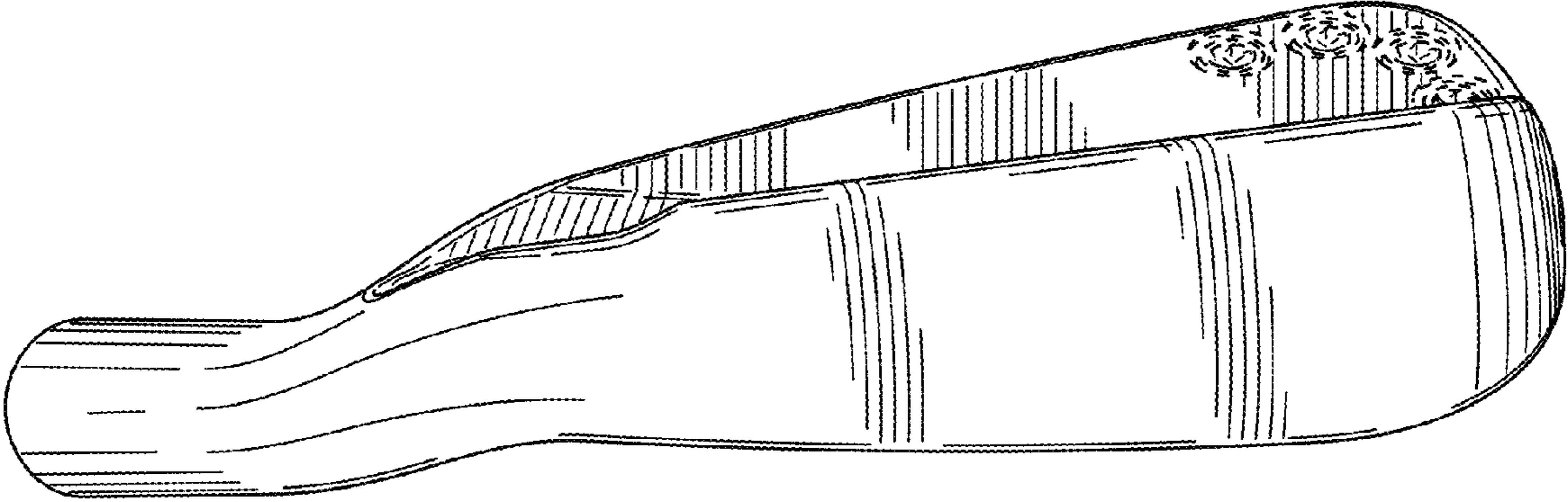


FIG. 6

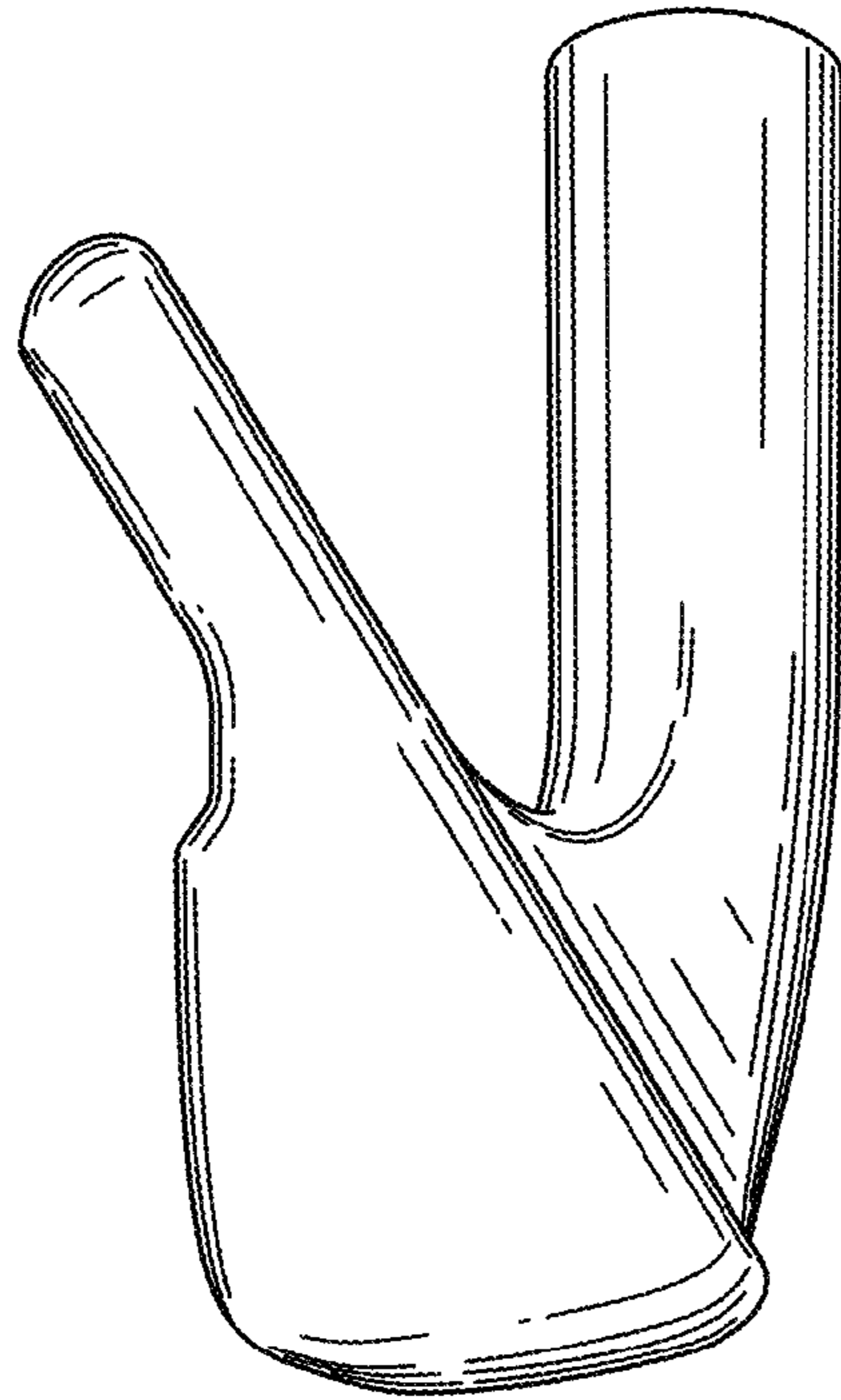


FIG. 7

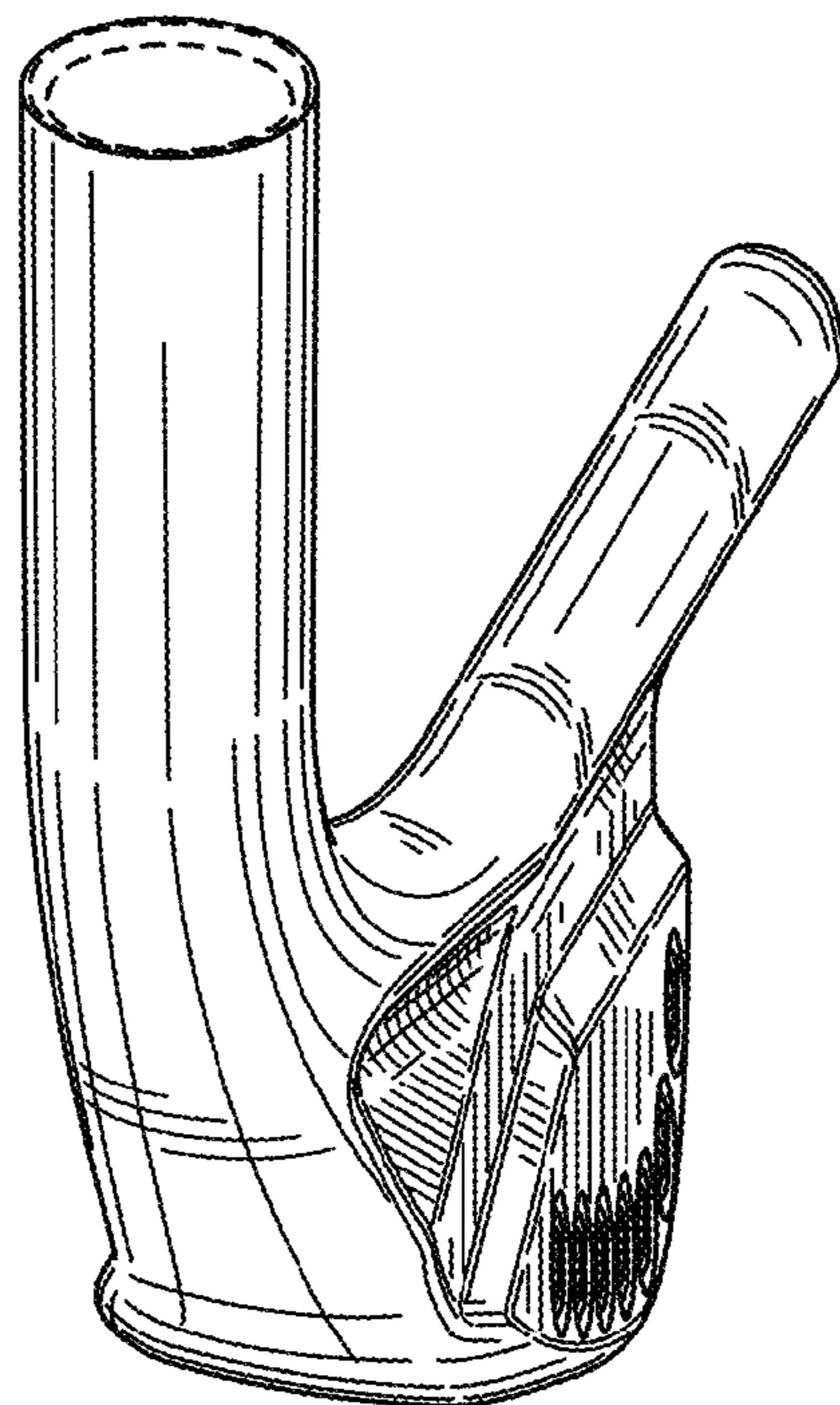


FIG. 8