



US00D756469S

(12) **United States Design Patent**  
**Wu**

(10) **Patent No.:** **US D756,469 S**  
(45) **Date of Patent:** **\*\* May 17, 2016**

(54) **STOPWATCH SEAT**

(71) Applicant: **SIENNA GROUP CORPORATION,**  
Taichung (TW)

(72) Inventor: **Chen-Kuei Wu,** Taichung (TW)

(73) Assignee: **SIENNA GROUP CORPORATION,**  
Taichung (TW)

(\*\*) Term: **14 Years**

(21) Appl. No.: **29/499,523**

(22) Filed: **Aug. 15, 2014**

(51) **LOC (10) Cl.** ..... **21-02**

(52) **U.S. Cl.**  
USPC ..... **D21/694;** D12/126

(58) **Field of Classification Search**  
USPC ..... D21/686, 690, 676, 662, 691, 673, 697,  
D21/797, 826, 694, 671, 685, 688, 689;  
482/129, 92, 104, 142, 57, 63, 138, 94,  
482/106, 108, 908, 130, 146, 147, 34, 135,  
482/101, 97, 139, 62, 51, 37, 121, 126, 148,  
482/113, 137; D6/708, 552, 675, 675.5,  
D6/349, 301; D3/307, 273, 276, 298, 277,  
D3/294, 350; D7/510, 511; D12/114, 411,  
D12/414.1; D25/1, 33, 126  
CPC ..... A63B 22/0605; A63B 21/4029; A63B  
23/0211; A63B 21/225; A63B 21/4035;  
A63B 21/078

See application file for complete search history.

(56) **References Cited**

U.S. PATENT DOCUMENTS

4,386,721 A *	6/1983	Shimano .....	B62J 11/00 224/414
D271,852 S *	12/1983	Kimura .....	D12/411
D361,924 S *	9/1995	Becker .....	D7/620
D370,750 S *	6/1996	Huff .....	D30/119
D607,807 S *	1/2010	Ohlhorst .....	D12/411
D739,177 S *	9/2015	Wu .....	D12/114
D739,178 S *	9/2015	Wu .....	D12/114
D739,179 S *	9/2015	Wu .....	D12/114

OTHER PUBLICATIONS

No Logo Full Carbo by RXL SL Carbon Bicycle Parts—Angela dated Jan. 29, 2016. Found online [Feb. 9, 2016] <http://tiny.cc/gjg18x>.\*

\* cited by examiner

*Primary Examiner* — Robert M Spear

*Assistant Examiner* — Ryan Harvey

(74) *Attorney, Agent, or Firm* — Jackson IPG PLLC;  
Demian K. Jackson

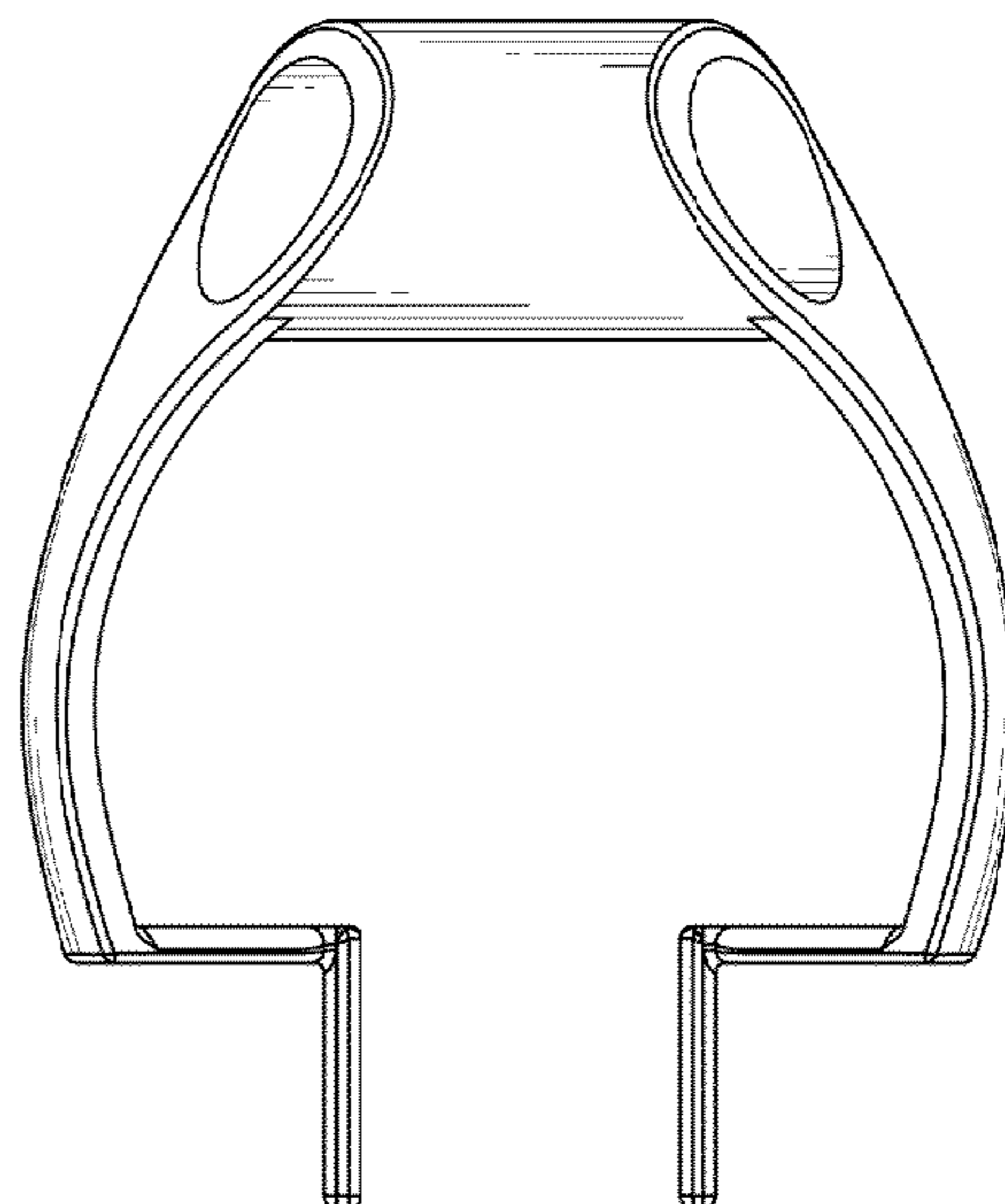
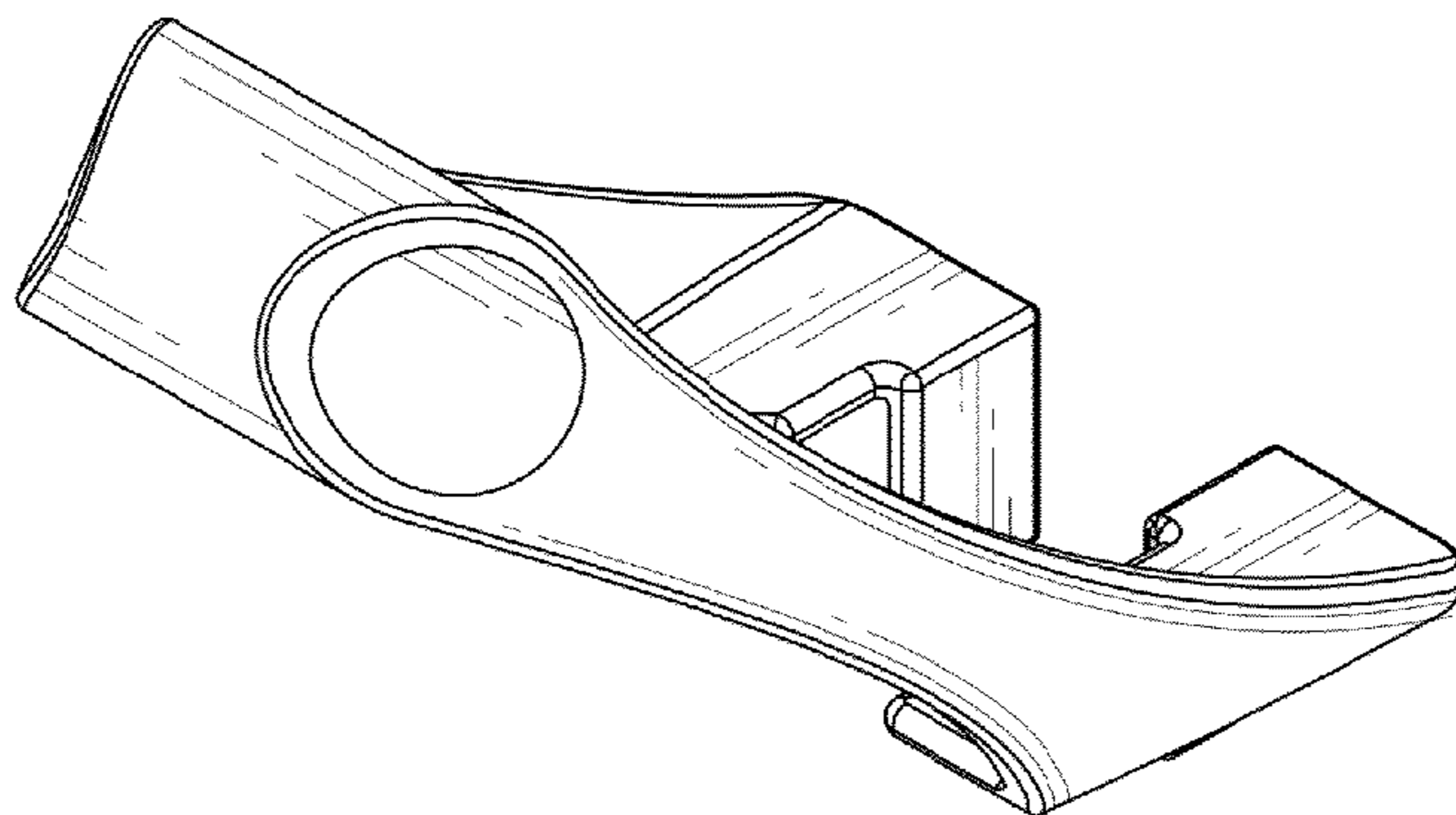
(57) **CLAIM**

The ornamental design for a stopwatch seat, as shown and described.

**DESCRIPTION**

FIG. 1 is a perspective view of a stopwatch seat showing my new design;  
FIG. 2 is a front elevation view thereof;  
FIG. 3 is a rear elevation view thereof;  
FIG. 4 is a left side view thereof;  
FIG. 5 is a right side view thereof;  
FIG. 6 is a top plan view thereof; and,  
FIG. 7 is a bottom plan view thereof.

**1 Claim, 7 Drawing Sheets**



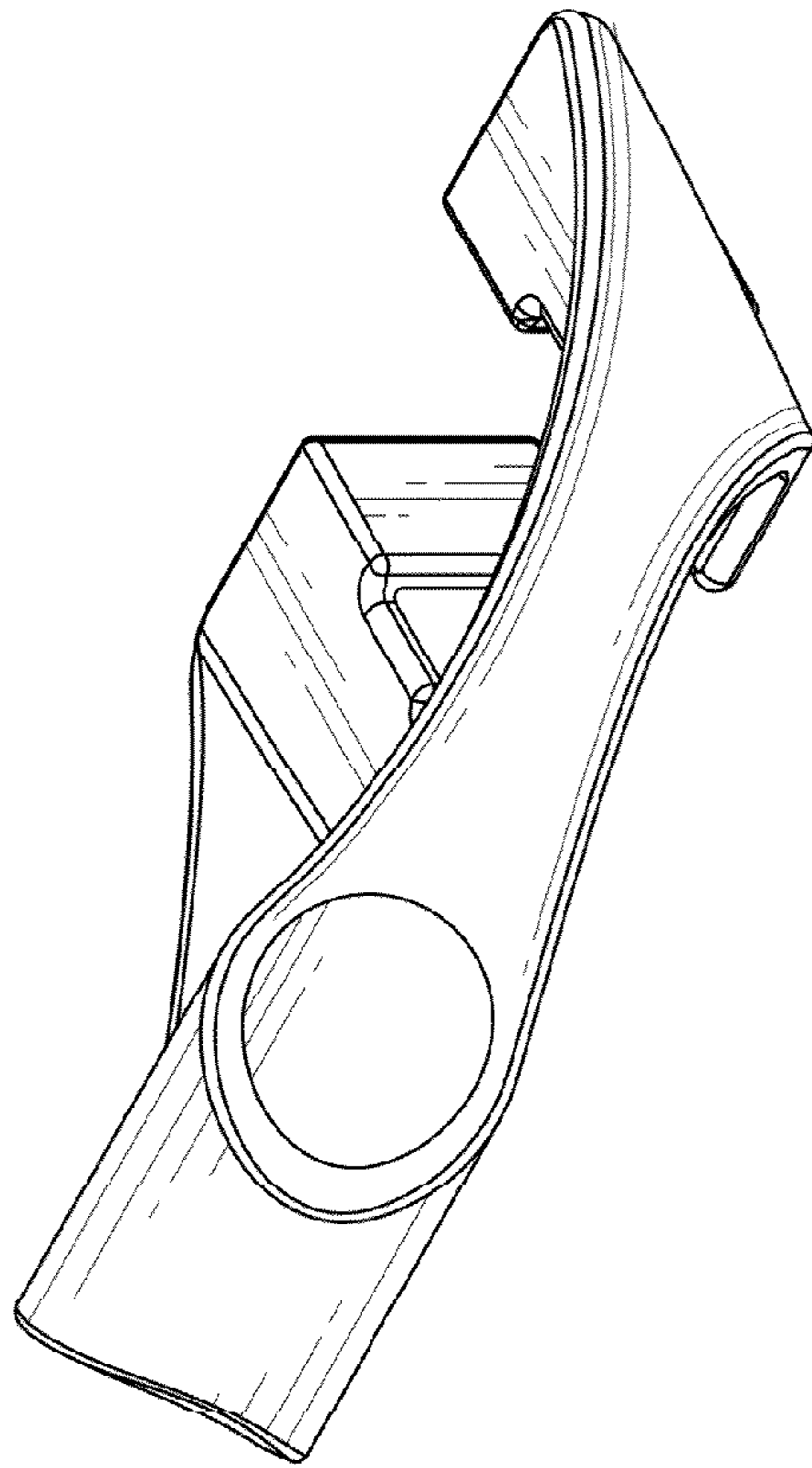


Fig . 1

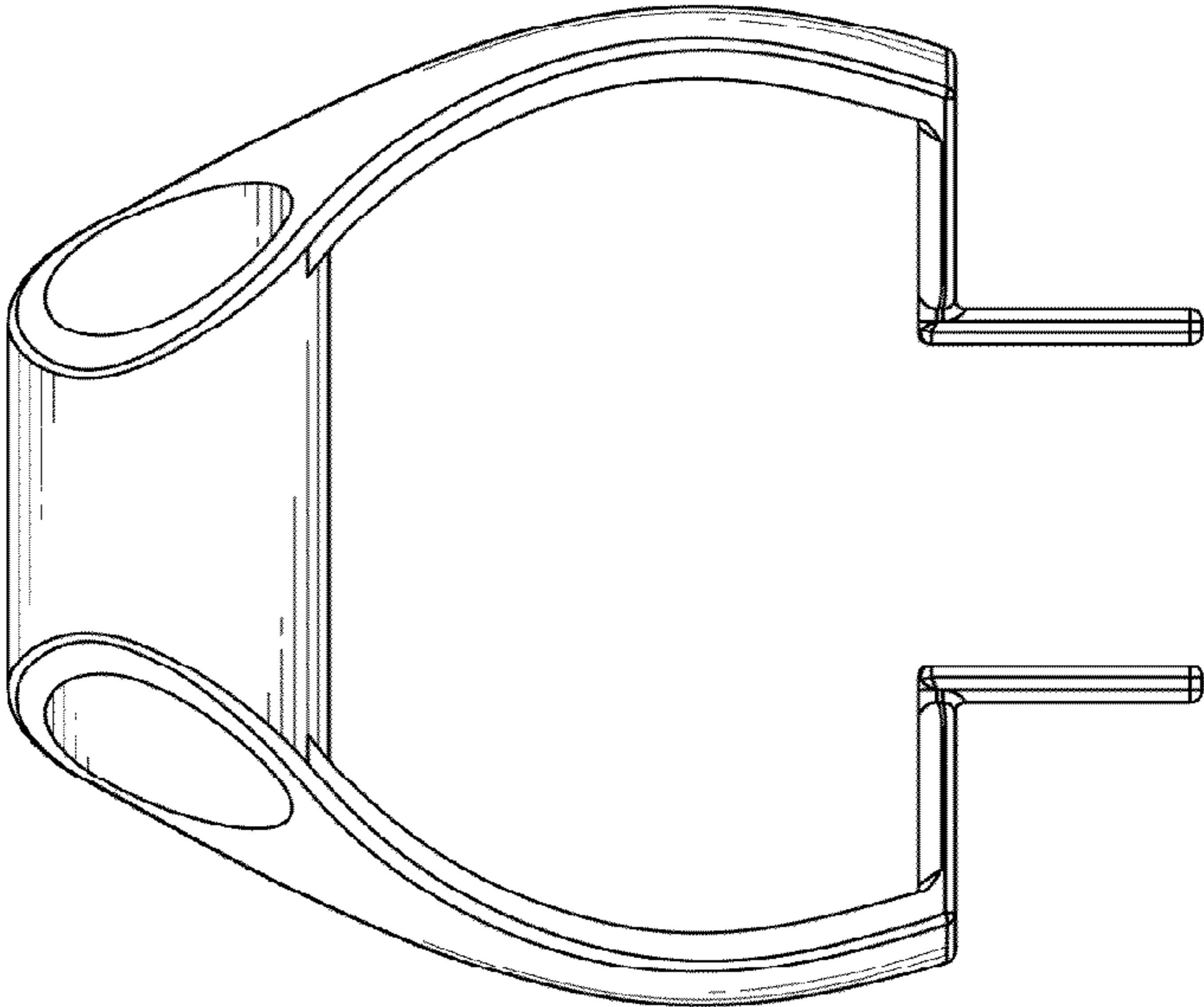


Fig . 2

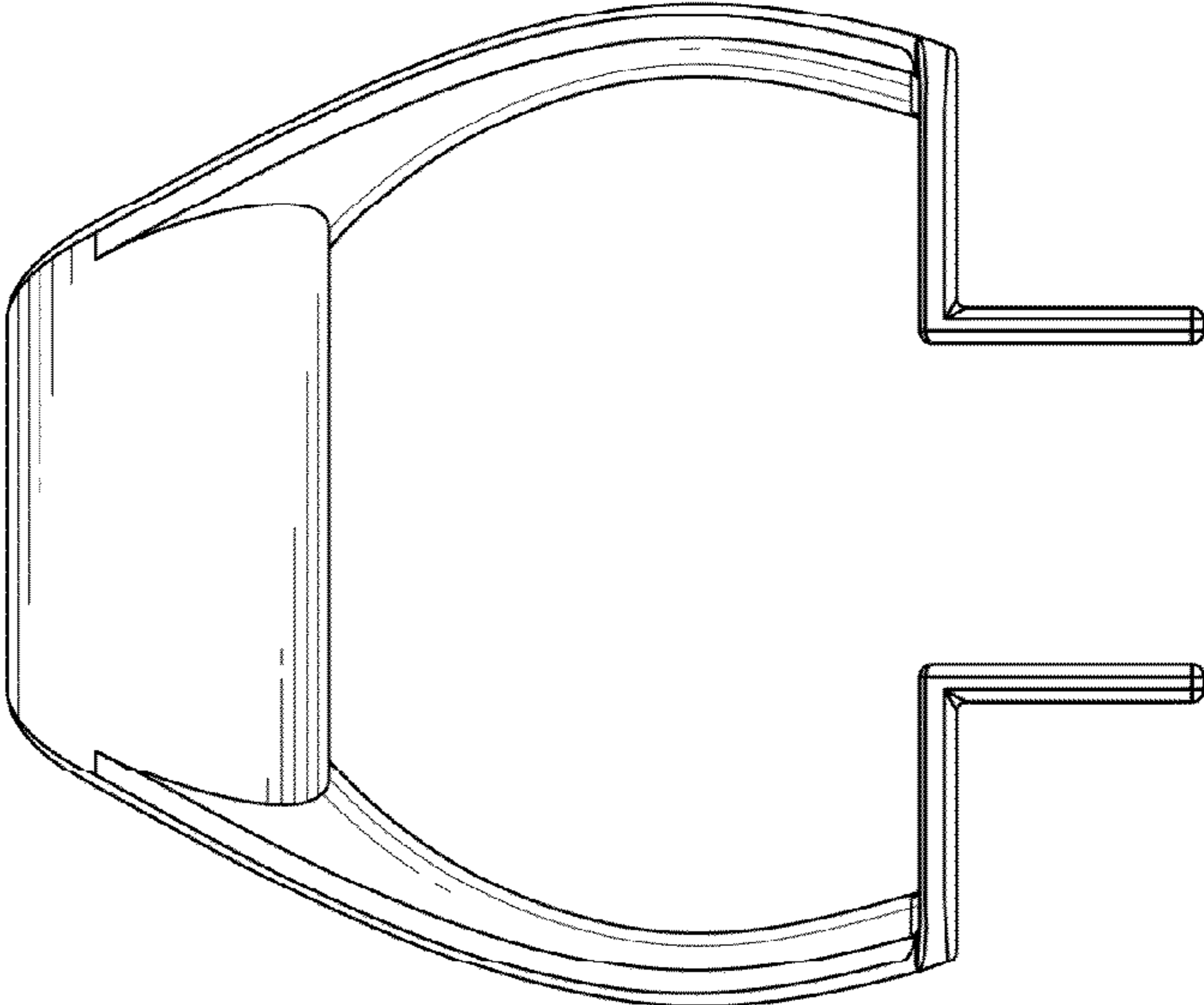


Fig . 3

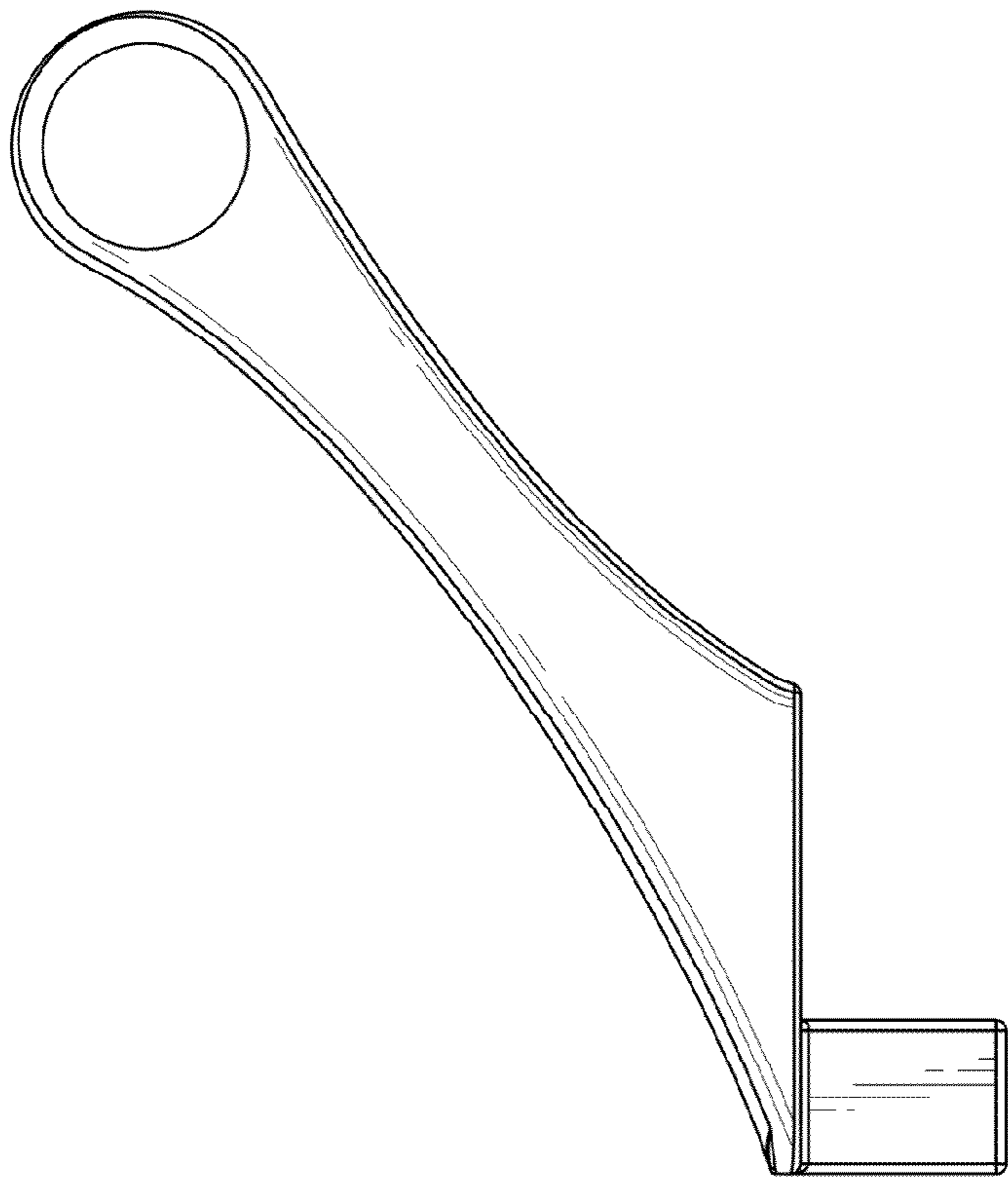


Fig . 4

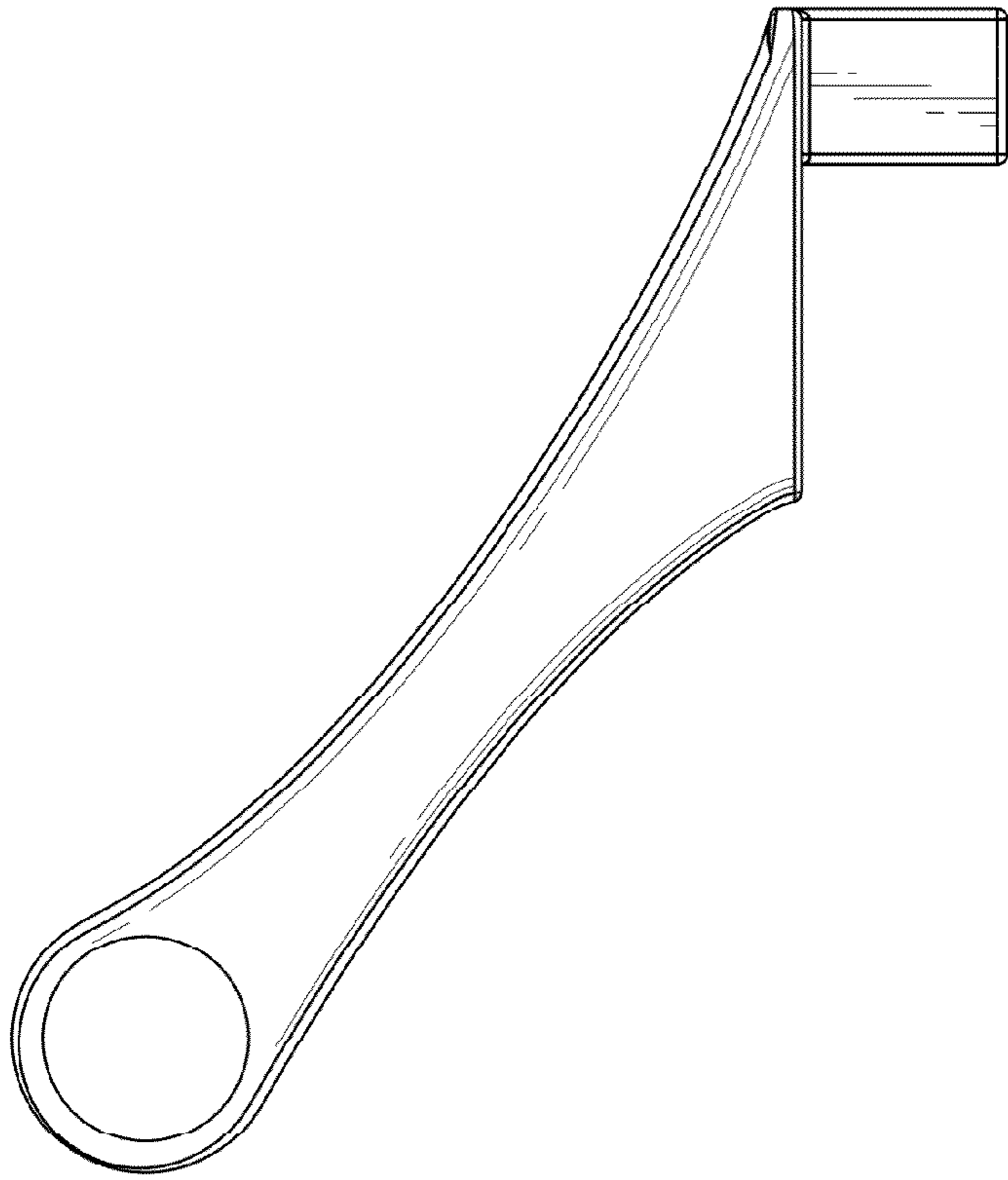


Fig. 5

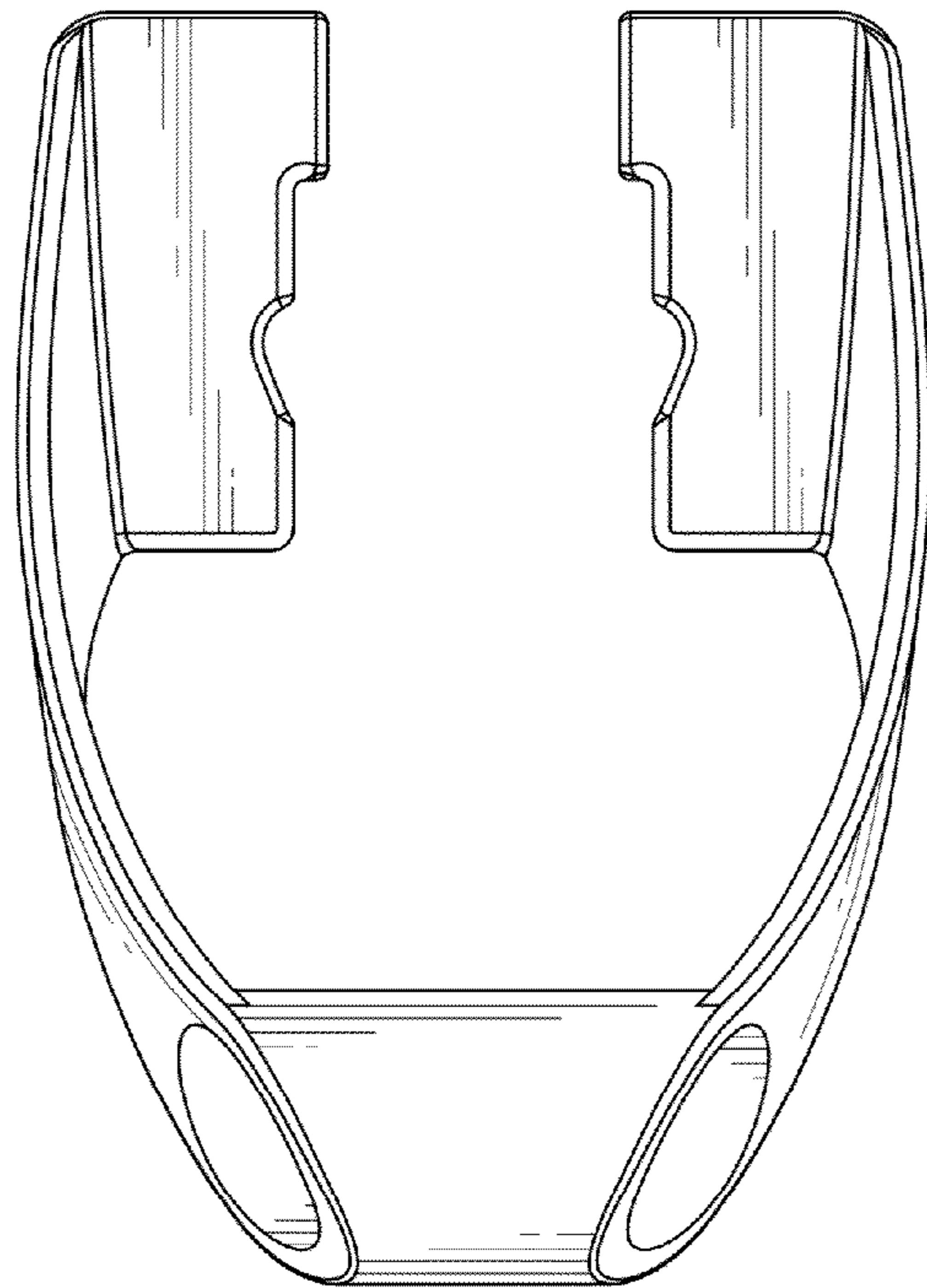


Fig . 6



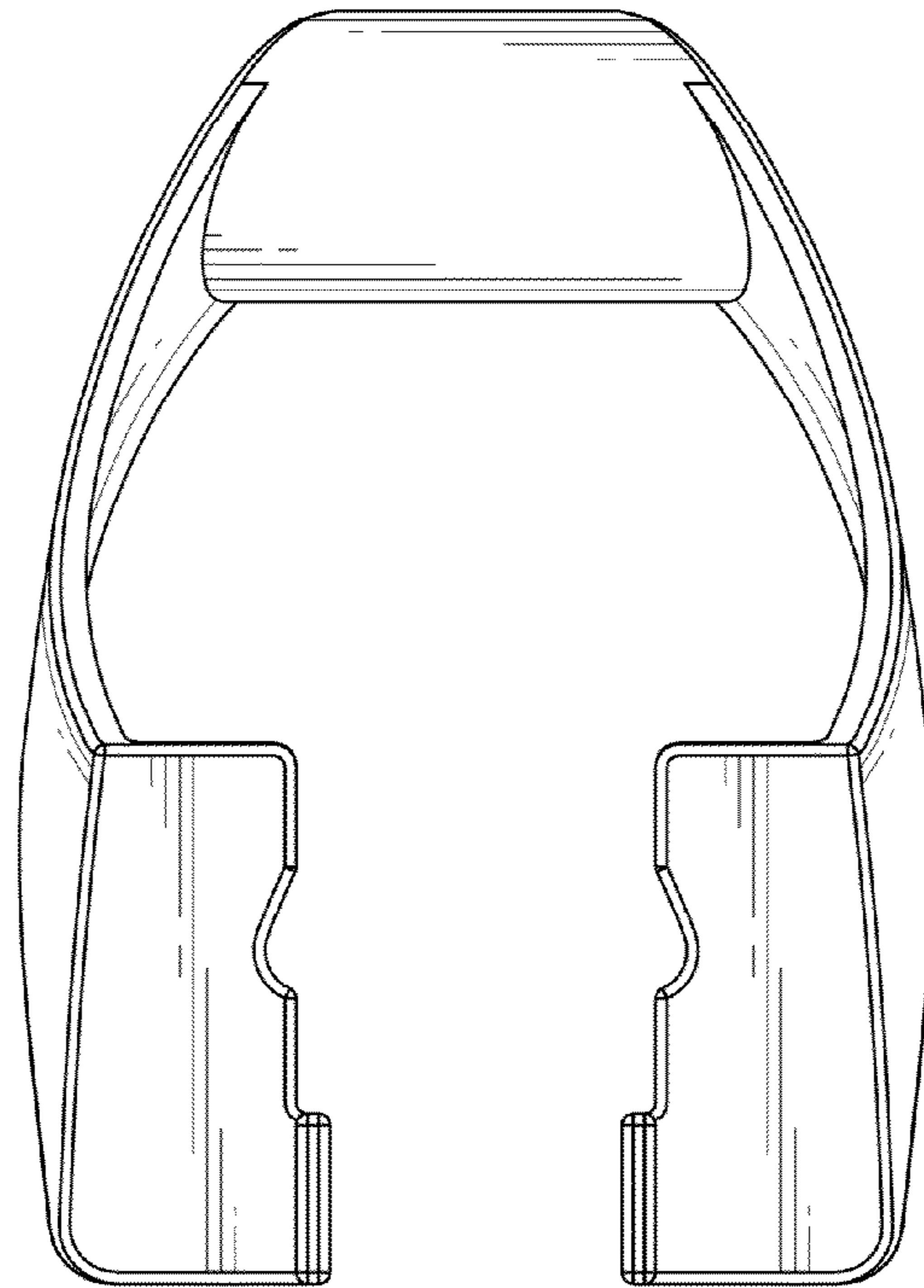


Fig . 7