



US00D756468S

(12) **United States Design Patent**
Chang et al.

(10) **Patent No.:** **US D756,468 S**

(45) **Date of Patent:** **** May 17, 2016**

(54) **FULL BODY RESISTANCE BAR WITH WHEELS**

(71) Applicant: **Dyaco International Inc.**, Taipei (TW)

(72) Inventors: **Shu-Fang Chang**, Taipei (TW); **Pei-An Shih**, Taipei (TW)

(73) Assignee: **Dyaco International, Inc.**, Taipei (TW)

(**) Term: **14 Years**

(21) Appl. No.: **29/522,559**

(22) Filed: **Mar. 31, 2015**

(30) **Foreign Application Priority Data**

Feb. 16, 2015 (TW) 104300892

(51) **LOC (10) Cl.** **21-02**

(52) **U.S. Cl.**
USPC **D21/662**

(58) **Field of Classification Search**

USPC D8/85, 45, 107, 90, 317, 387, 397, 343,
D8/31, 75, 14; D21/680, 682, 681, 678,
D21/662, 679, 684, 686, 801; 173/102, 103,
173/118, 126, 133; 482/108, 93, 110, 111,
482/105, 8, 107, 106, 139, 94, 104, 109,
482/140, 51, 70, 74, 98, 1, 121, 55;
D9/629, 456, 680; D11/91, 81, 56, 80,
D11/7, 52, 14, 201

CPC A63B 21/0552; A63B 23/0211; A63B
2208/0204; A63B 21/00069; A63B 21/0442;
A63B 21/0004; A63B 23/12

See application file for complete search history.

(56) **References Cited**

U.S. PATENT DOCUMENTS

3,938,803 A * 2/1976 Wilmoth A63B 21/05
482/127
D243,013 S * 1/1977 Jones D10/63
D248,114 S * 6/1978 Mangiapane D21/662

D306,886 S * 3/1990 Shiek D21/662
4,913,417 A * 4/1990 Francu A63B 23/14
482/128

D347,898 S * 6/1994 Belcher D24/200
D358,856 S * 5/1995 Boettger, Jr. D21/684

(Continued)

OTHER PUBLICATIONS

Round six-core ultra-edge multifunction device group by DYACO dated No date given. Found online [Dec. 14, 2015] <http://mall.pchome.com.tw/prod/QCAG26-A90060K0L>.*

(Continued)

Primary Examiner — Robert M Spear

Assistant Examiner — Ryan Harvey

(74) *Attorney, Agent, or Firm* — Donald E. Stout; Stout, Uxa & Buyan, LLP

(57) **CLAIM**

The ornamental design for a full body resistance bar with wheels, as shown and described.

DESCRIPTION

FIG. 1 is a perspective view of a design for a full body resistance bar with wheels showing our new design.

FIG. 2 is a front elevational view of the full body resistance bar with wheels shown in FIG. 1.

FIG. 3 is a rear elevational view of the full body resistance bar with wheels shown in FIG. 1.

FIG. 4 is an enlarged fragmentary view of the full body resistance bar with wheels as shown in FIG. 3.

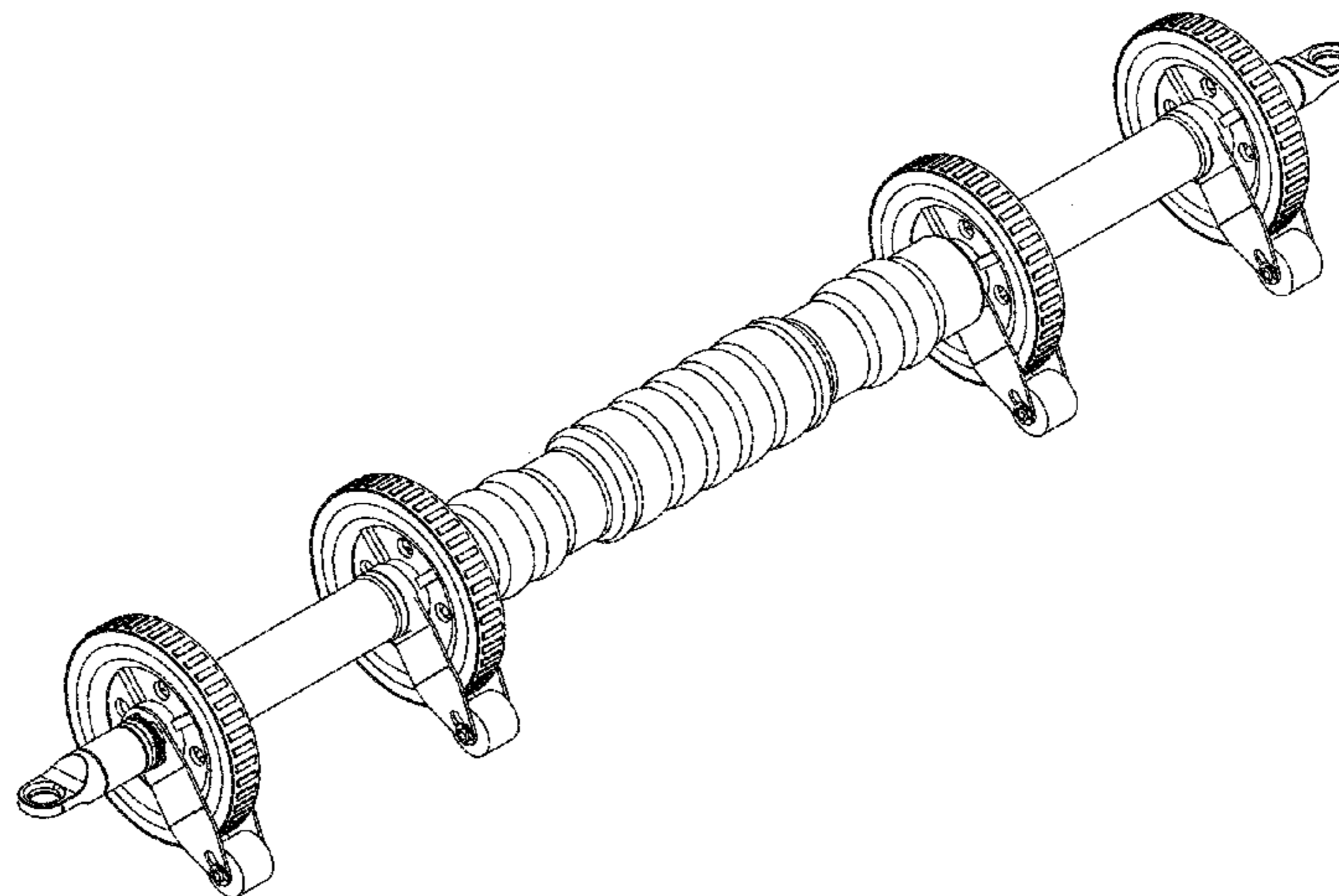
FIG. 5 is a left side elevational view of the full body resistance bar with wheels shown in FIG. 4.

FIG. 6 is a right side elevational view of the full body resistance bar with wheels shown in FIG. 4.

FIG. 7 is a top plan view of the full body resistance bar with wheels shown in FIG. 1; and,

FIG. 8 is a bottom plan view of the full body resistance bar with wheels shown in FIG. 1.

1 Claim, 8 Drawing Sheets



(56)

References Cited

U.S. PATENT DOCUMENTS

D422,038 S * 3/2000 Iannetta D21/662
D454,929 S * 3/2002 Huang D21/662
7,387,599 B1 * 6/2008 Hsu A61H 15/0092
482/122
7,731,641 B1 * 6/2010 Chen A63B 21/075
482/106
D644,073 S * 8/2011 Nottke D7/697
8,025,615 B1 * 9/2011 Sargent A63B 21/0552
482/139
D688,337 S * 8/2013 Huang D21/662

D699,794 S * 2/2014 Wauldron D21/662
D723,637 S * 3/2015 Mercado D21/679
D730,455 S * 5/2015 Burris D21/662
2012/0094812 A1 * 4/2012 Smiley A63B 21/0004
482/128

OTHER PUBLICATIONS

Dai Yu Liu Geng Hong round international super-powerful 20B by
DYACO dated Mar. 15, 2015. Found online [Dec. 14, 2015] <https://www.youtube.com/watch?v=XIXt0SvwIL0>.*

* cited by examiner

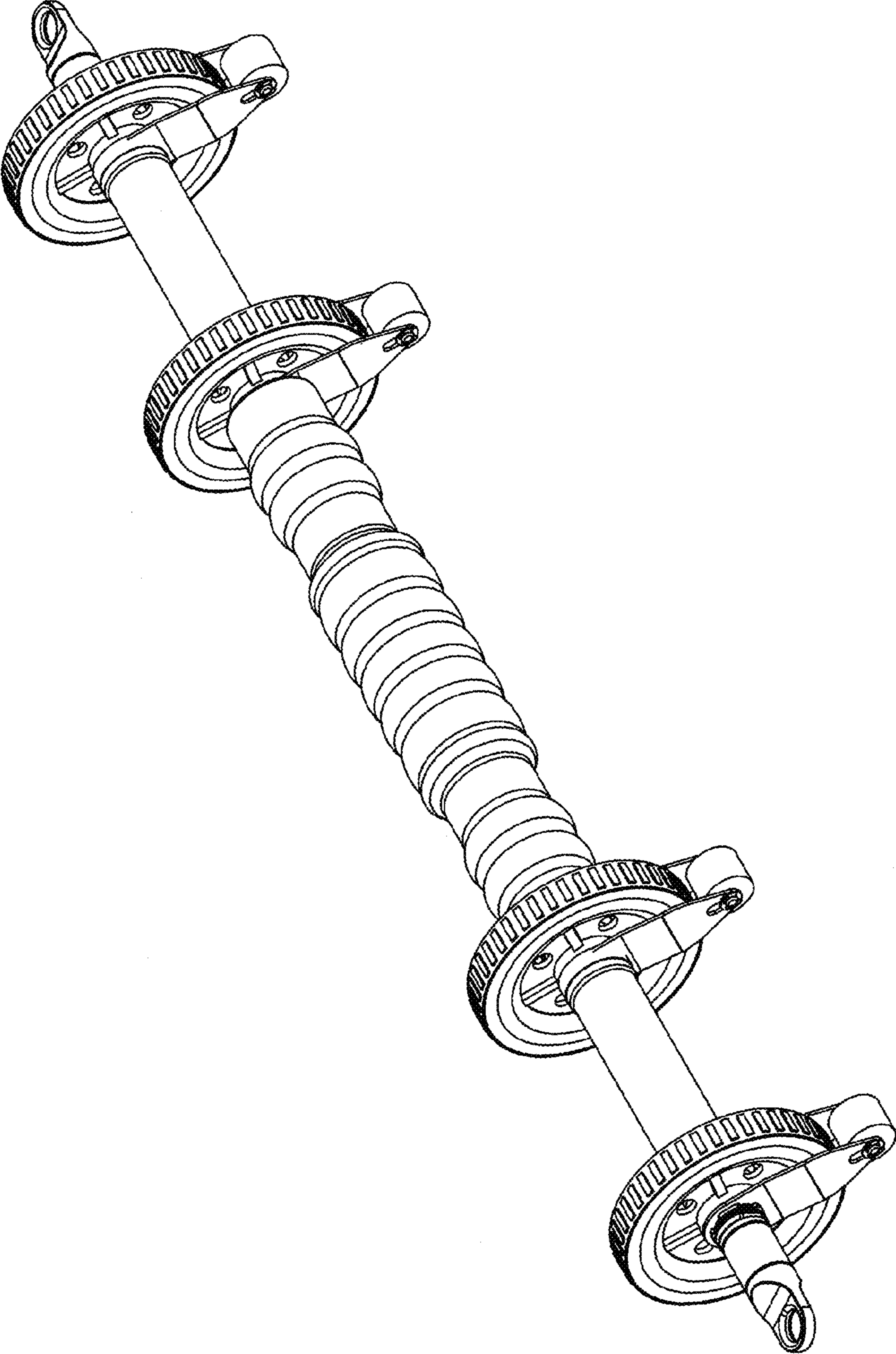


FIG.1

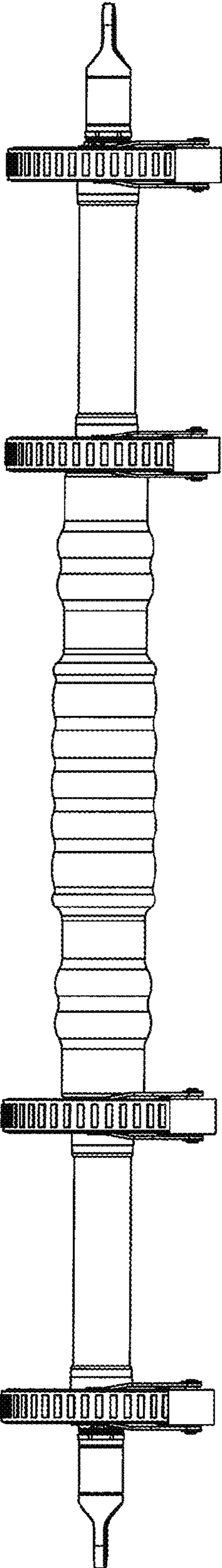


FIG. 2

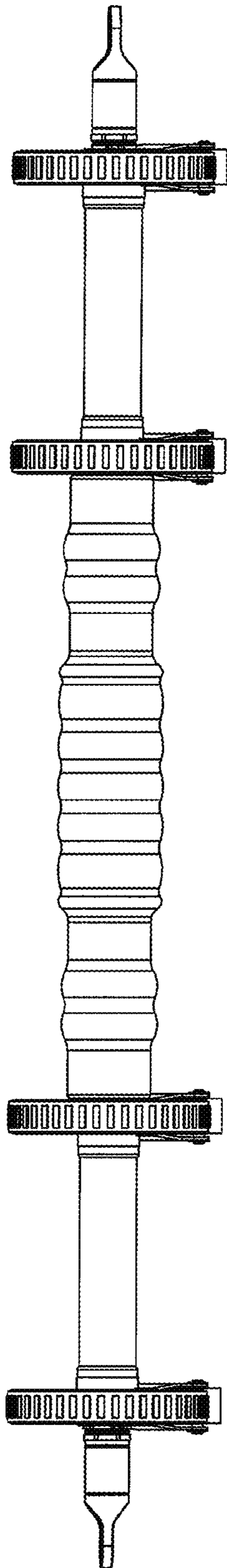


FIG.3

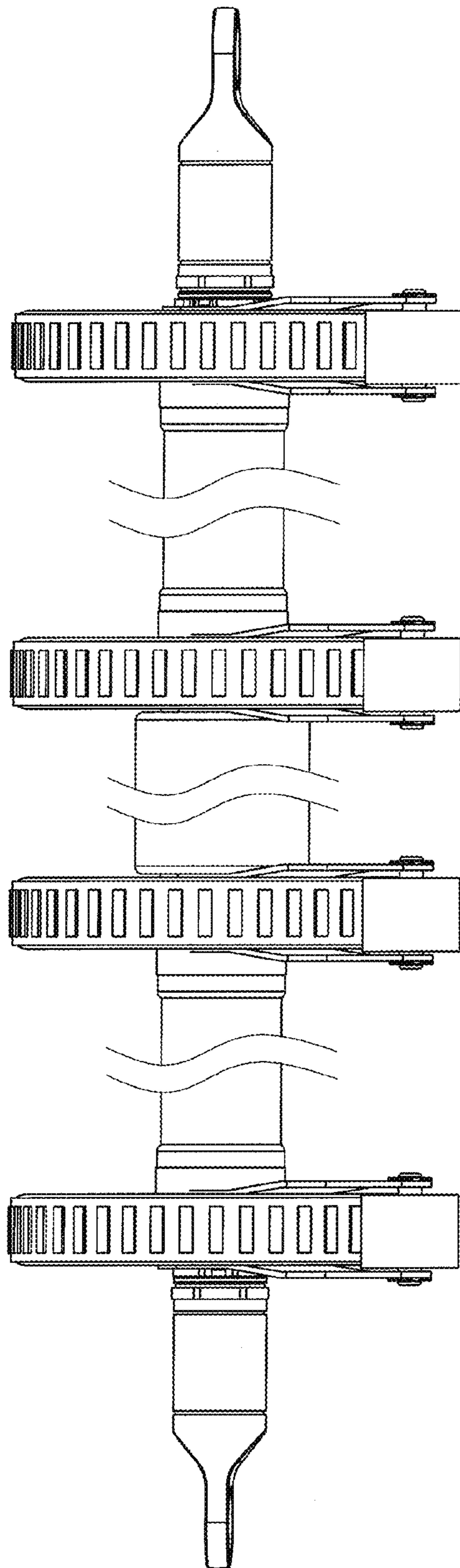


FIG.4

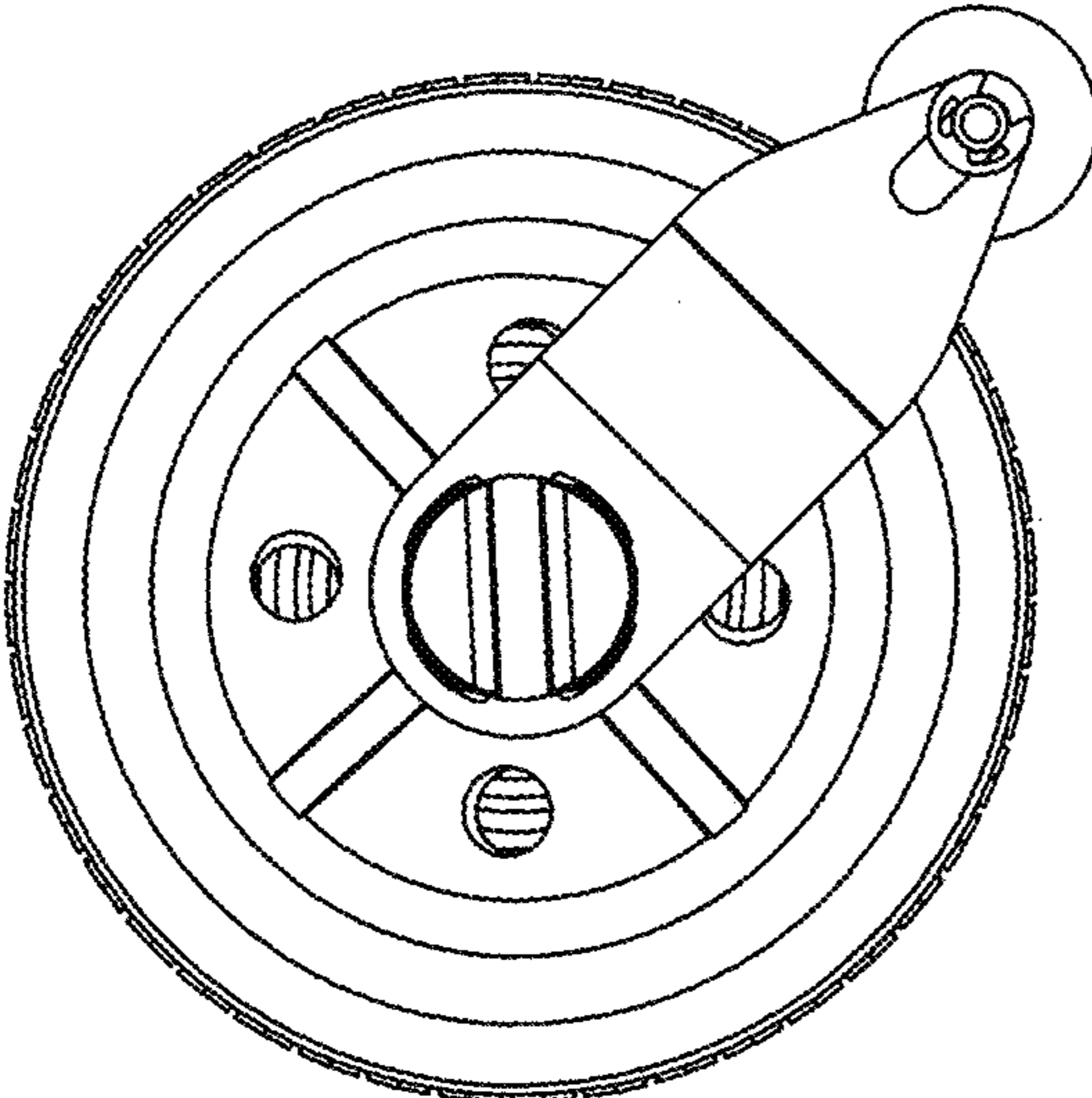


FIG.5

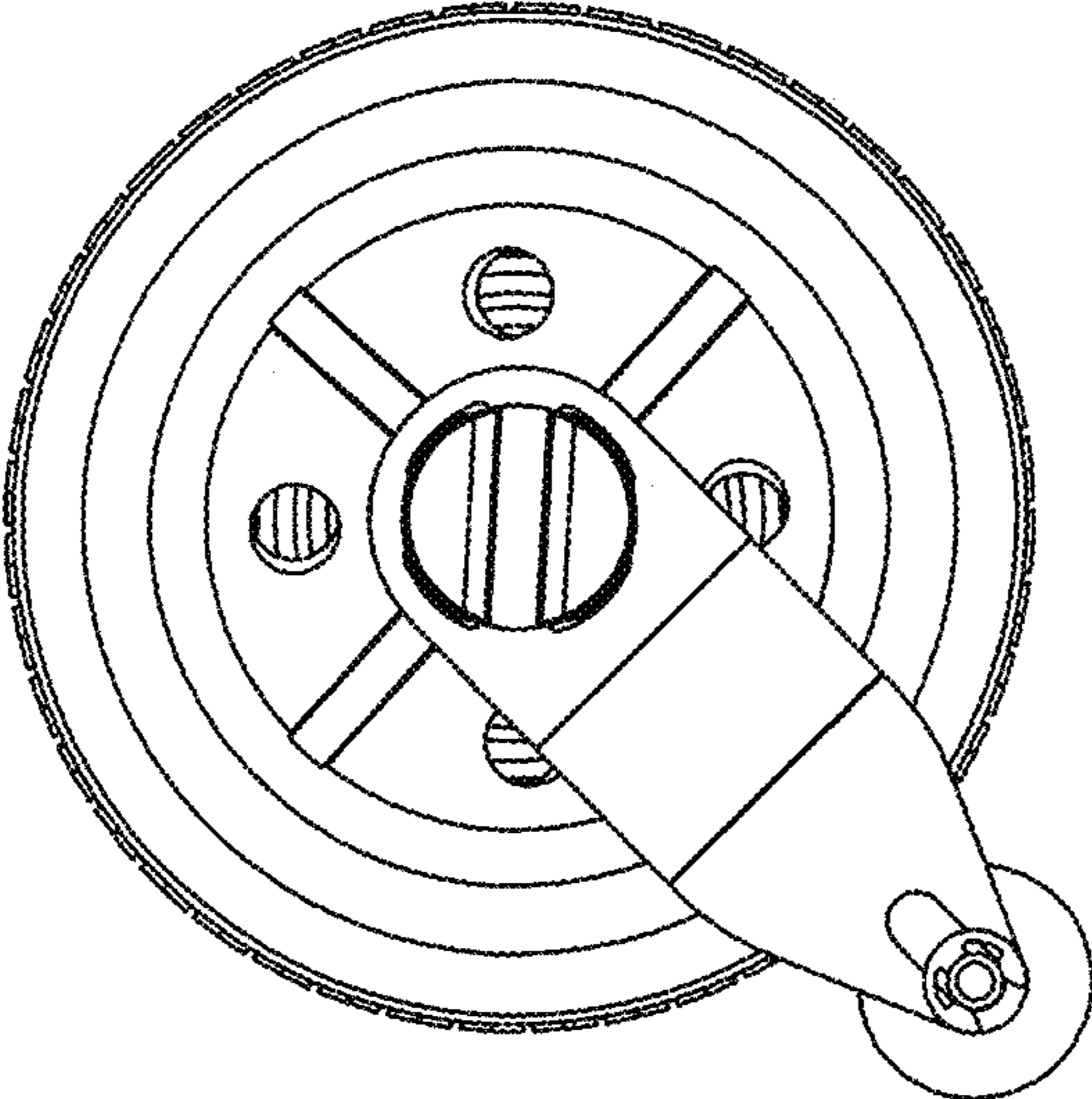


FIG.6

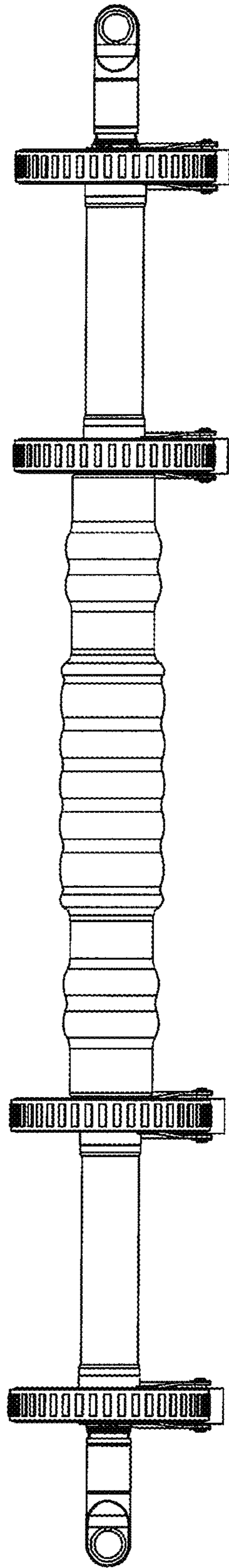


FIG. 7

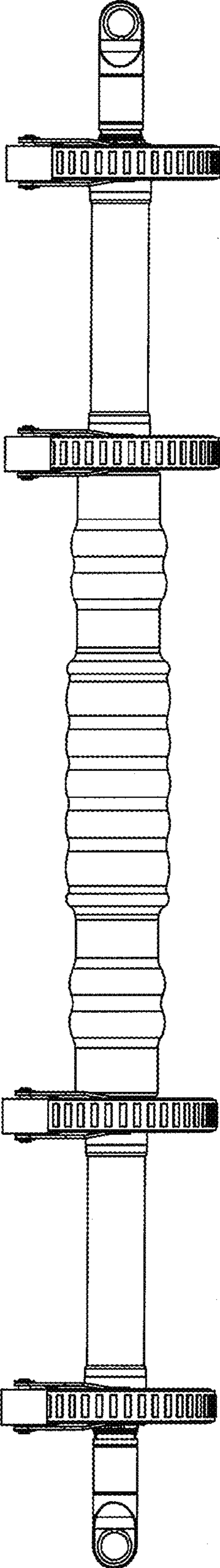


FIG. 8