



US00D756466S

(12) **United States Design Patent**  
**Goitein**

(10) **Patent No.:** **US D756,466 S**

(45) **Date of Patent:** **\*\* May 17, 2016**

(54) **POWER UNIT ATTACHABLE TO A FOLDED PAPER AIRPLANE**

(71) Applicant: **Shai Goitein**, Pardes Hana (IL)

(72) Inventor: **Shai Goitein**, Pardes Hana (IL)

(\*\*) Term: **15 Years**

(21) Appl. No.: **29/542,132**

(22) Filed: **Oct. 12, 2015**

(51) **LOC (10) Cl.** ..... **21-01**

(52) **U.S. Cl.**  
USPC ..... **D21/453**

(58) **Field of Classification Search**

USPC ..... D12/16.1, 319, 325, 326, 327, 328, 329,  
D12/330, 333, 344, 345; D21/301, 437,  
D21/441, 443, 446, 447, 448, 453, 454, 461  
CPC ..... B64C 2201/146; B64C 2201/141;  
B64C 2201/126; B64C 2201/021; B64C 29/00  
See application file for complete search history.

(56) **References Cited**

U.S. PATENT DOCUMENTS

1,035,017	A	8/1912	Kaiser et al.	446/60
2,715,445	A	8/1955	Williamson	416/20 R
D214,803	S	7/1969	Limb	D21/449
3,699,708	A	10/1972	Mabuchi	446/57
3,757,462	A	9/1973	Mabuchi	446/58
D241,564	S	9/1976	Kabchef	D21/449
3,985,322	A	10/1976	Mabuchi et al.	248/554
D245,637	S	8/1977	Jewett	D21/450
4,180,221	A	12/1979	Harris	244/13
4,377,051	A	3/1983	Dulake	446/31
4,629,438	A *	12/1986	McAneny	A63H 27/02 185/10
5,525,087	A	6/1996	Chin-Lin	446/59
6,520,823	B2	2/2003	Tian et al.	446/57
6,638,132	B1 *	10/2003	Li	A63H 29/18 185/39
6,688,937	B1	2/2004	Tsai	446/67
7,331,838	B2	2/2008	Shantz	446/57

7,377,832	B2	5/2008	Chamberlain	446/57
D620,537	S *	7/2010	Bopp	D21/441
D724,675	S *	3/2015	Goitein	D21/453
D725,715	S *	3/2015	Goitein	D21/449
2003/0197092	A1	10/2003	Tian et al.	244/51
2005/0233672	A1	10/2005	Shantz	446/232
2008/0125002	A1	5/2008	Goitein	446/57
2009/0017714	A1	1/2009	DeRennaux et al.	446/93
2009/0229921	A1	9/2009	Sink et al.	185/39
2011/0262789	A1	10/2011	Tu	429/100

(Continued)

OTHER PUBLICATIONS

PowerUp with Camera. Dated Nov. 13, 2015 by Daniel. found online [Feb. 9, 2016] <http://gadgetsin.com/powerup-fpv-paper-airplanedrone-with-a-live-streaming-camera.htm>.\*

(Continued)

*Primary Examiner* — Robert M Spear

*Assistant Examiner* — Marissa J Cash

(74) *Attorney, Agent, or Firm* — Robert W. J. Usher

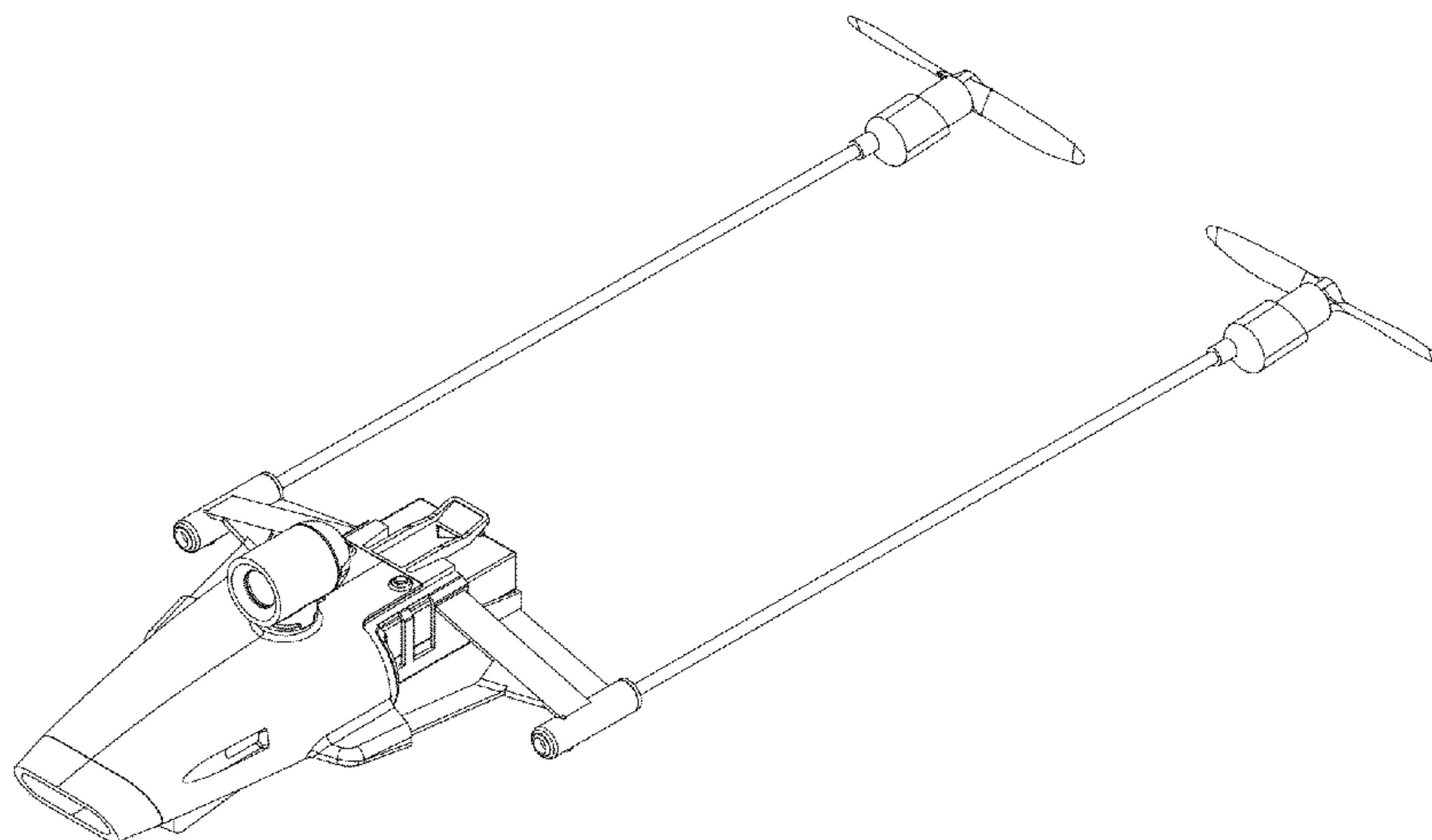
(57) **CLAIM**

The ornamental design for a power unit attachable to a folded paper airplane, as shown and described.

**DESCRIPTION**

FIG. 1 is a front elevational view of a power unit attachable to a folded paper airplane, showing my new design;  
FIG. 2 is a rear elevational view of FIG. 1;  
FIG. 3 is a top plan view of FIG. 1;  
FIG. 4 is a bottom plan view of FIG. 1;  
FIG. 5 is an isometric view from the front, above and one side of FIG. 1, (opposite side is mirror image);  
FIG. 6 is an isometric view from the front, below and one side of FIG. 1 (opposite side is mirror image);  
FIG. 7 is a side elevational view of the side shown in FIG. 5; and,  
FIG. 8 is a side elevational view of the opposite side to that shown in FIG. 5.

**1 Claim, 8 Drawing Sheets**



(56)

**References Cited**

U.S. PATENT DOCUMENTS

2014/0343752 A1\* 11/2014 Fisher ..... B64C 39/024  
701/2  
2015/0367938 A1\* 12/2015 Zambrano ..... B64C 35/005  
244/50

OTHER PUBLICATIONS

U.S. Appl. No. 29/504,065, Oct. 1, 2014, Goitein.  
Power units for folded paper airplanes having the appearance of those  
disclosed in the U.S. Appl. No. 29/406,697 and U.S. Appl. No.  
29/504,065 were offered for sale in Jan. 2014.

\* cited by examiner

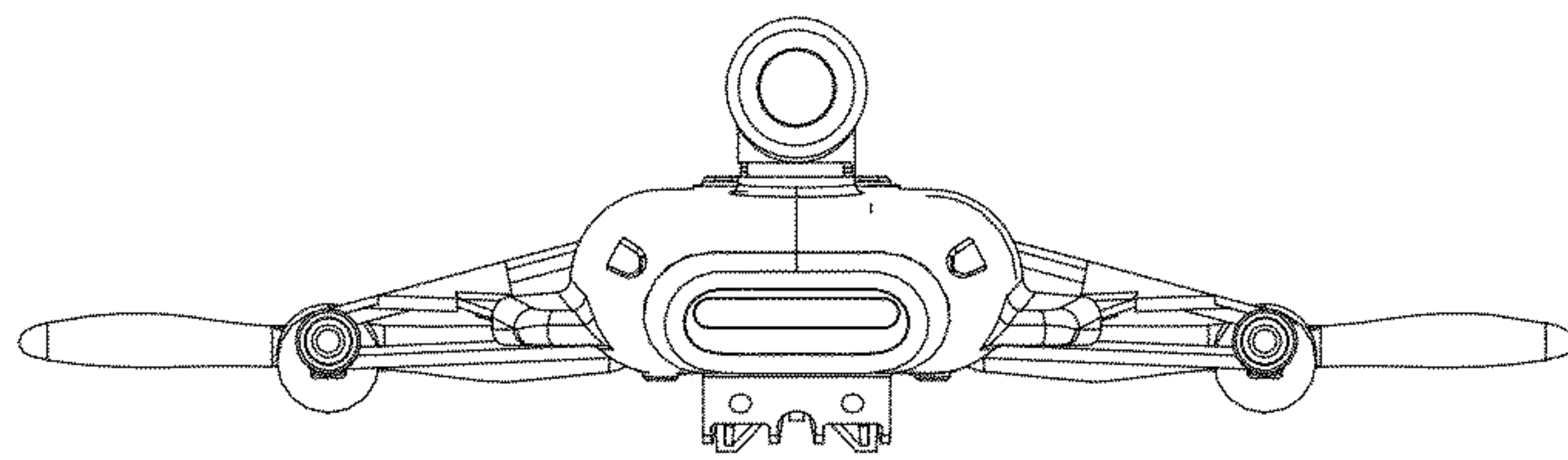


FIG. 1

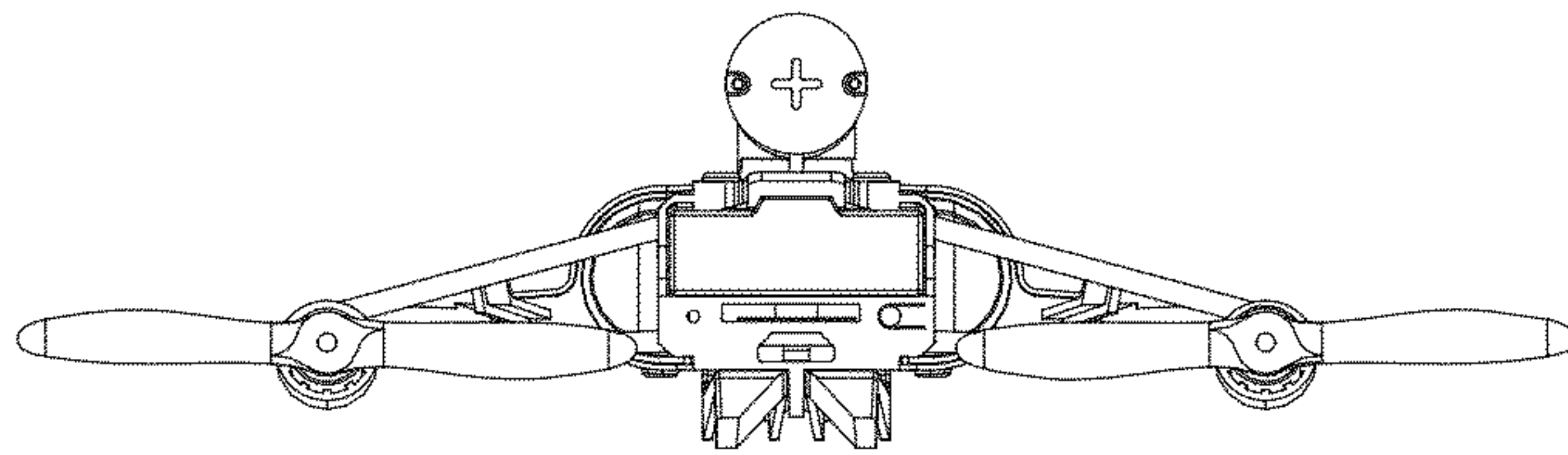


FIG. 2

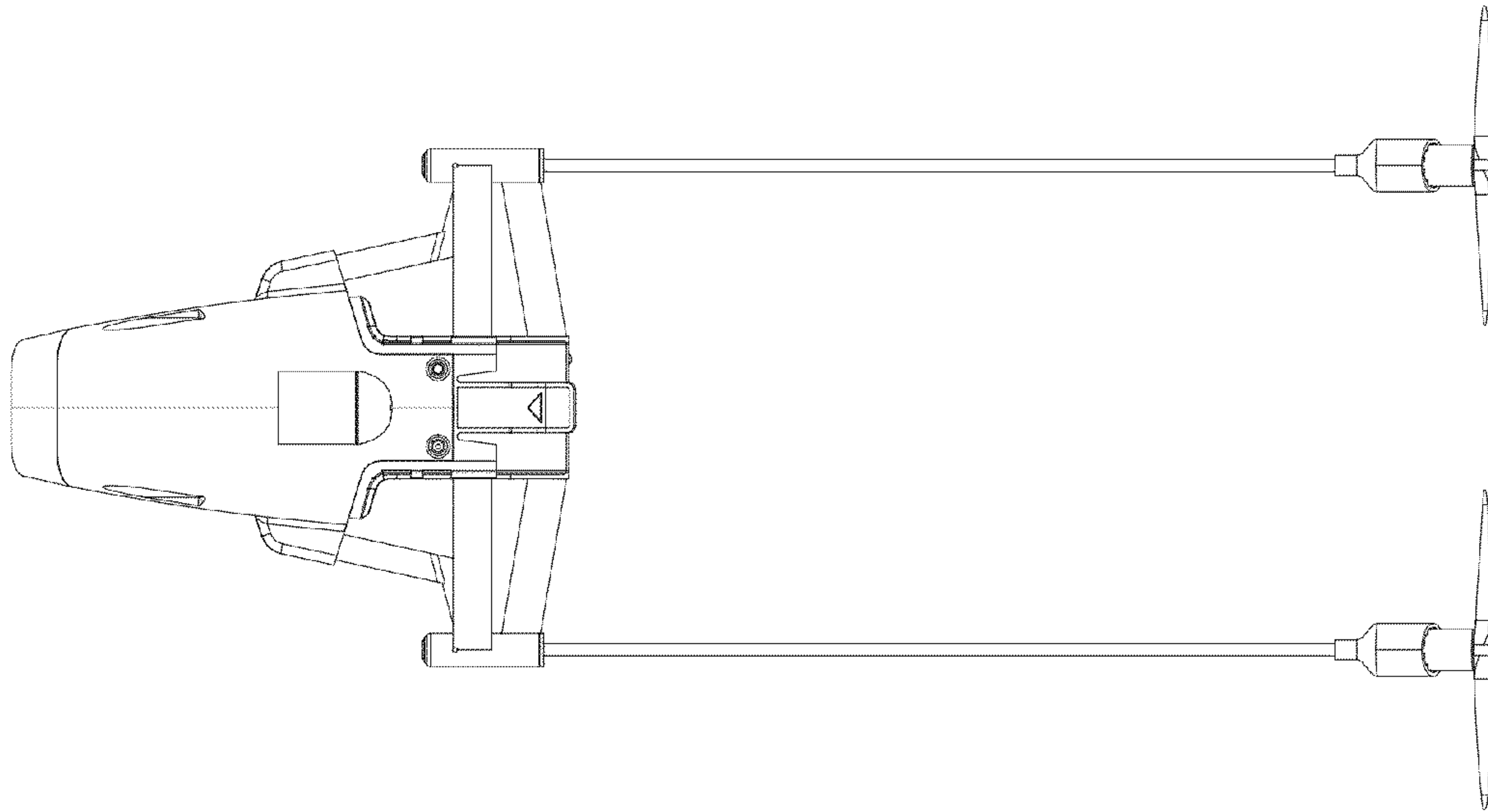


FIG. 3

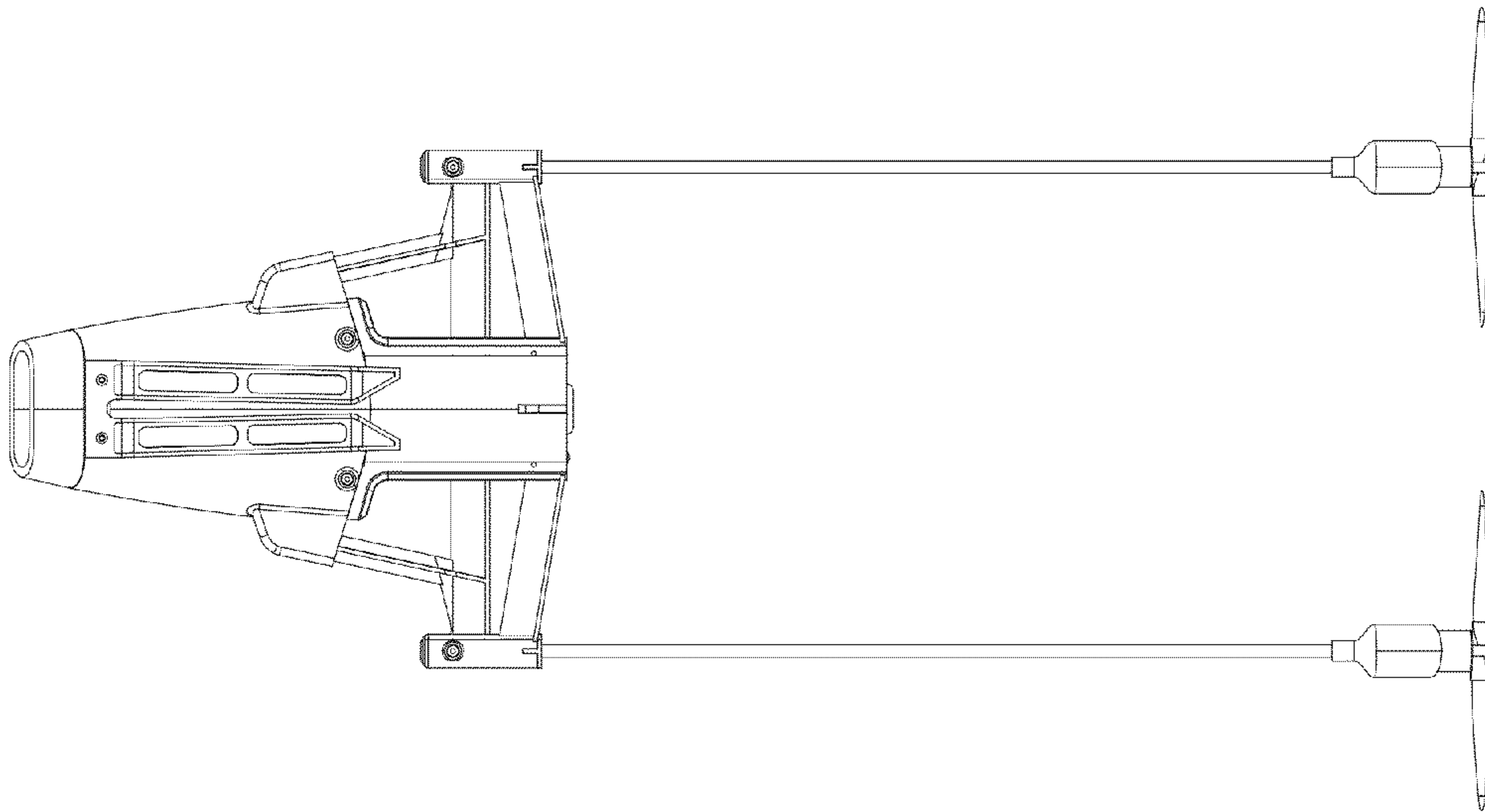


FIG. 4

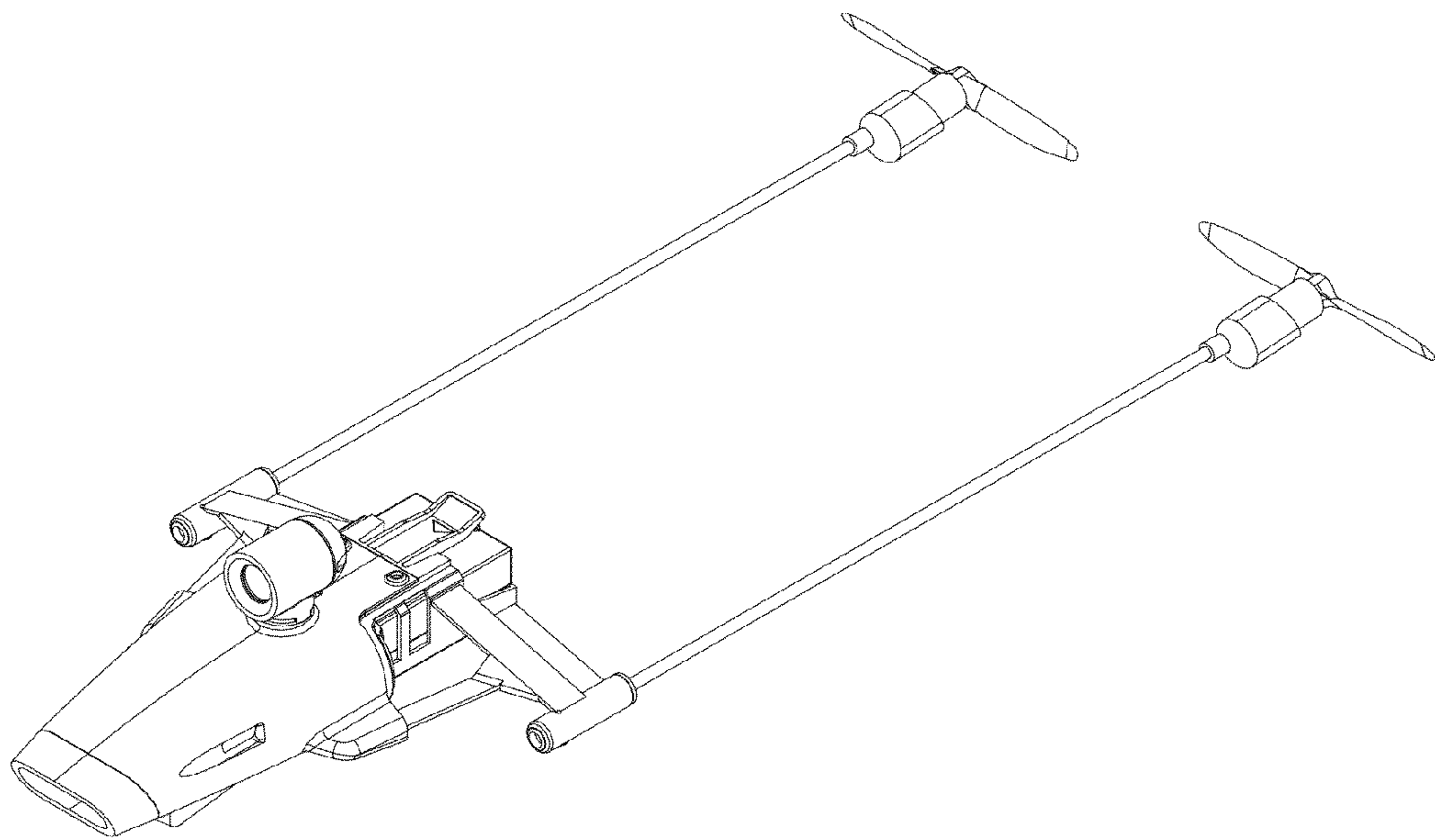


FIG. 5

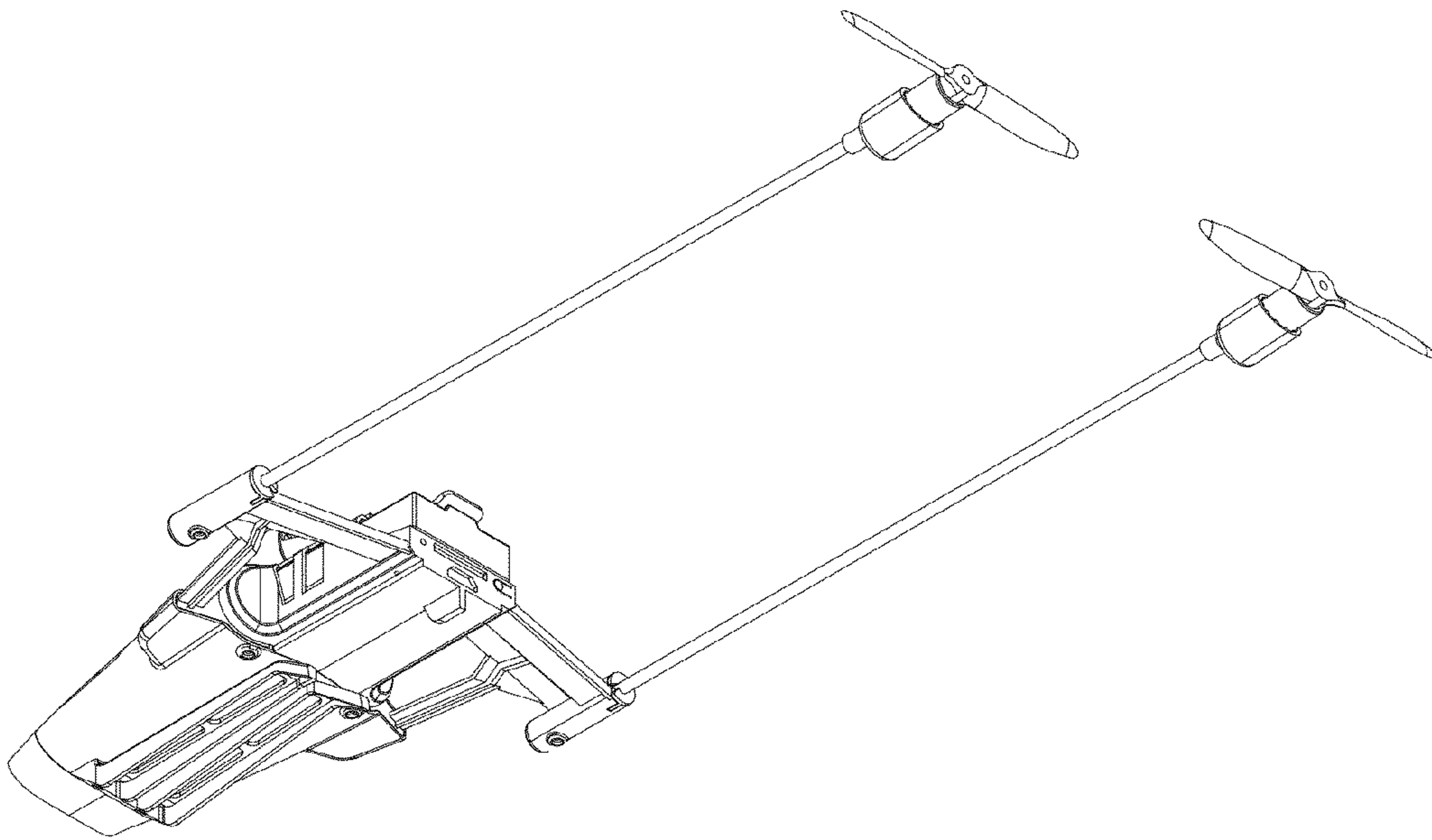


FIG. 6





FIG. 7

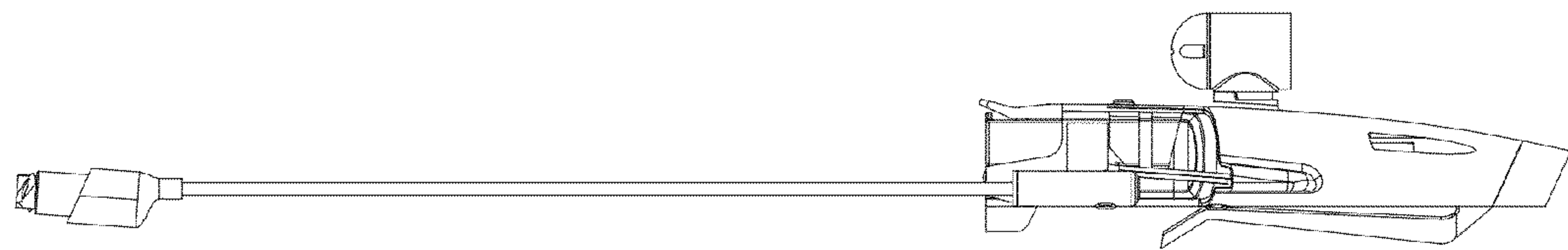


FIG. 8