



US00D756465S

(12) **United States Design Patent**
Byrne et al.

(10) **Patent No.:** **US D756,465 S**
(45) **Date of Patent:** **** May 17, 2016**

- (54) **SCOOTER**
- (71) Applicant: **Radio Flyer Inc.**, Chicago, IL (US)
- (72) Inventors: **Emily Byrne**, Chicago, IL (US); **Collin Ostergaard**, Chicago, IL (US); **Todd Herlitz**, Glenview, IL (US)
- (73) Assignee: **Radio Flyer Inc.**, Chicago, IL (US)
- (**) Term: **14 Years**
- (21) Appl. No.: **29/519,591**
- (22) Filed: **Mar. 6, 2015**
- (51) **LOC (10) Cl.** **21-01**
- (52) **U.S. Cl.**
USPC **D21/423**
- (58) **Field of Classification Search**
USPC D21/419, 421, 423, 426-428, 435,
D21/668-671, 760, 765, 771; D12/1, 8,
D12/108, 111, 112, 113
CPC B62K 3/002; B62K 9/00; B62K 9/02;
B62K 13/00; B62K 2202/00
See application file for complete search history.

5,232,235 A	8/1993	Brooks	
5,263,725 A	11/1993	Gesmer et al.	
5,330,214 A	7/1994	Brooks et al.	
5,388,659 A	2/1995	Pepe	
5,513,865 A	5/1996	Brooks et al.	
5,522,620 A	6/1996	Pracas	
5,833,252 A	11/1998	Strand	
5,927,733 A	7/1999	Banda	
5,950,754 A	9/1999	Ondrish	
5,954,349 A *	9/1999	Rutzel	B62K 3/002 280/100
5,975,546 A	11/1999	Strand	
5,992,865 A	11/1999	Vargas	
5,997,018 A	12/1999	Lee	
D421,282 S	2/2000	Orr	
D421,632 S *	3/2000	Jones	D21/423

(Continued)

Primary Examiner — Cynthia M Chin

(74) *Attorney, Agent, or Firm* — McDermott Will & Emery LLP

(57) **CLAIM**

We claim the ornamental design for a scooter, as shown and described.

DESCRIPTION

FIG. 1 is a front top perspective view of a scooter according to the new design.

FIG. 2 is a back bottom perspective view of the scooter shown in FIG. 1.

FIG. 3 is a right side view of the scooter shown in FIG. 1.

FIG. 4 is a left side view of the scooter shown in FIG. 1.

FIG. 5 is a front view of the scooter shown in FIG. 1.

FIG. 6 is a back view of the scooter shown in FIG. 1.

FIG. 7 is a top view of the scooter shown in FIG. 1; and,

FIG. 8 is a bottom view of the scooter shown in FIG. 1.

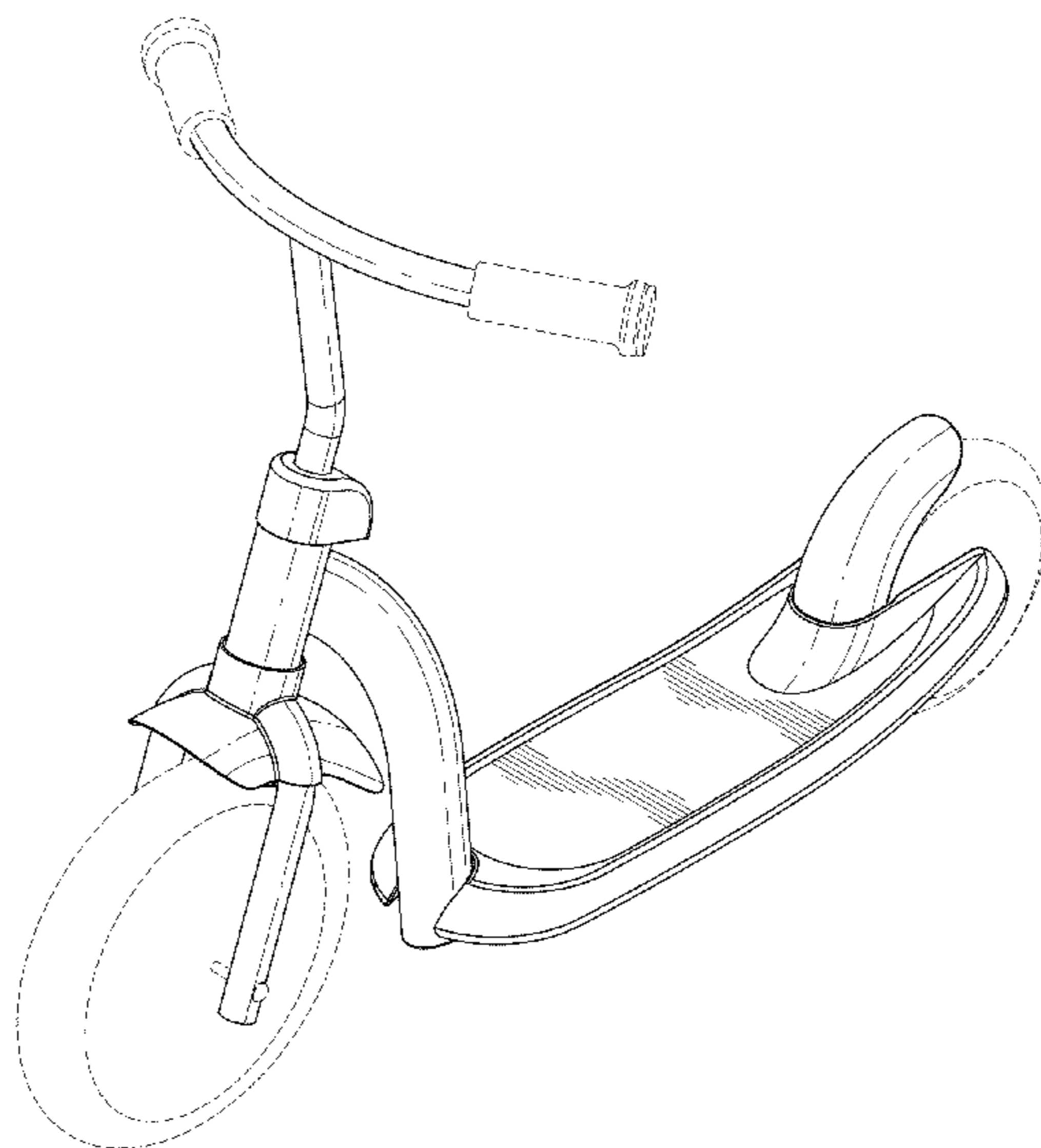
Features shown in broken lines in the drawings are not part of the claim.

(56) **References Cited**

U.S. PATENT DOCUMENTS

1,123,686 A	1/1915	Cole et al.	
1,150,773 A	8/1915	La Chall	
1,227,888 A	5/1917	Converse	
3,442,528 A	5/1969	Rademacher	
3,811,151 A	5/1974	Kuemmerlin	
4,054,297 A	10/1977	Solimine	
4,407,045 A	10/1983	Boothe	
4,566,150 A	1/1986	Boothe	
4,666,327 A	5/1987	Su	
4,821,832 A	4/1989	Patmont	
4,890,950 A	1/1990	Yoo	
D312,485 S *	11/1990	Turner	D21/423

1 Claim, 7 Drawing Sheets



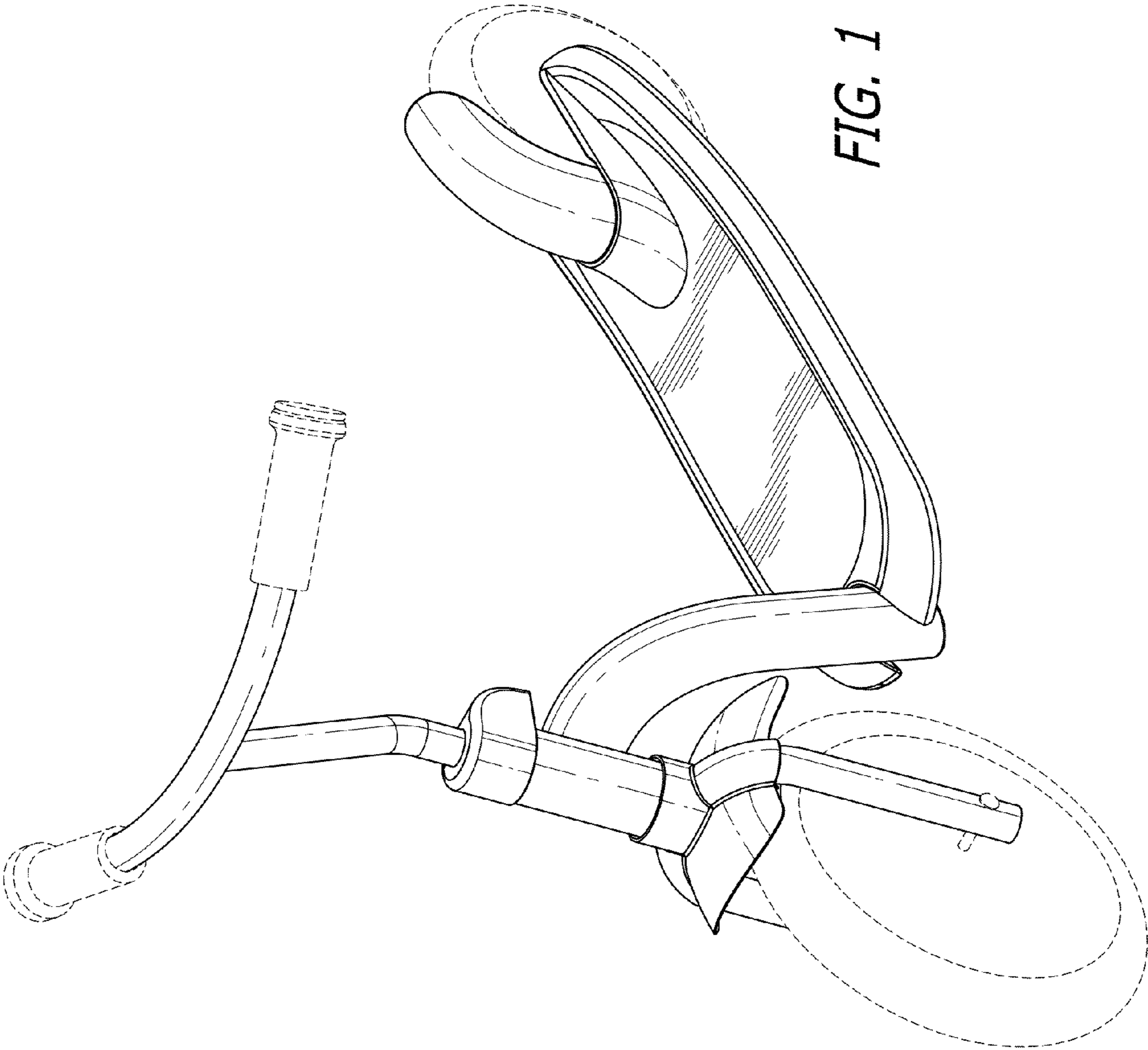
(56)

References Cited

U.S. PATENT DOCUMENTS

6,102,431 A	8/2000	Sutherland et al.	7,810,825 B2	10/2010	Cole
6,182,988 B1	2/2001	Wu	D630,158 S	1/2011	Jessie, Jr.
6,193,249 B1	2/2001	Buscaglia	7,891,680 B2	2/2011	Chen et al.
D438,911 S	3/2001	Chen	7,896,364 B1	3/2011	Ferreira
D438,912 S	3/2001	Barrera	D638,496 S	5/2011	Scolari et al.
D439,623 S	3/2001	Barrera	7,967,096 B2	6/2011	Boyd et al.
6,213,484 B1	4/2001	Rohner	7,988,159 B2	8/2011	Chen
6,244,605 B1	6/2001	Liu	D654,963 S	2/2012	Powers et al.
D447,187 S	8/2001	Powers	D654,964 S	2/2012	Herlitz et al.
6,273,439 B1 *	8/2001	Ray B62K 3/002 280/63	D654,965 S	2/2012	Herlitz et al.
6,279,930 B1	8/2001	Chang et al.	D656,998 S *	4/2012	Wiggins D21/423
6,286,843 B1	9/2001	Lin	8,152,176 B2	4/2012	Wilson et al.
6,318,741 B1	11/2001	Chen	8,186,693 B2	5/2012	Kortschot
D452,284 S	12/2001	McGinnis	8,186,694 B2	5/2012	Nelson et al.
6,341,790 B1	1/2002	Chen	8,246,058 B2	8/2012	Wang et al.
6,343,406 B1	2/2002	Yeh	8,292,311 B2	10/2012	De Las Casas
6,343,803 B1	2/2002	Johnston	D672,400 S	12/2012	Pizzi
6,367,829 B1	4/2002	Lee	8,448,954 B2	5/2013	Wilson
6,382,646 B1	5/2002	Shaw	8,469,377 B2	6/2013	Wilson et al.
6,398,238 B1	6/2002	Shaw	8,500,147 B2	8/2013	Johnson
6,428,021 B1	8/2002	Tung	8,579,300 B2	11/2013	Fraleley
6,450,517 B1	9/2002	Lee	D698,868 S	2/2014	Chan
6,491,312 B2	12/2002	Reynolds et al.	8,696,000 B1	4/2014	Chen
6,520,517 B1	2/2003	Chung et al.	8,925,935 B2	1/2015	Powers et al.
6,523,837 B2	2/2003	Kirkland	D721,990 S *	2/2015	Lugo D12/111
D471,597 S	3/2003	Chen	8,985,602 B2	3/2015	Chan
D475,093 S	5/2003	Furter et al.	D728,033 S	4/2015	O'Connell
6,616,155 B2	9/2003	Tuan	9,016,702 B2 *	4/2015	Huang B62J 1/08 280/87.041
D487,908 S *	3/2004	Mayer D21/423	D744,047 S *	11/2015	Daddoosh D21/423
6,711,780 B2	3/2004	Lee	2001/0035621 A1	11/2001	Herman et al.
6,755,425 B2	6/2004	Gorisch	2002/0067015 A1	6/2002	Tierney et al.
6,793,224 B2	9/2004	Stratton	2002/0093161 A1	7/2002	Udwin et al.
6,869,096 B2	3/2005	Allen et al.	2002/0096842 A1	7/2002	Chang et al.
6,979,007 B1	12/2005	Hosoda	2002/0131813 A1	9/2002	Chen
6,981,710 B2	1/2006	Cheng	2002/0167143 A1	11/2002	Shaw
7,025,522 B2	4/2006	Sicz et al.	2002/0195788 A1	12/2002	Tierney et al.
7,140,621 B2	11/2006	Cheng	2003/0034622 A1	2/2003	Van Ardenne
7,159,879 B2	1/2007	Cole	2003/0098555 A1	5/2003	Chen
D547,388 S	7/2007	Thomas et al.	2004/0041360 A1	3/2004	Lukoszek
7,243,925 B2	7/2007	Lukoszek	2004/0100053 A1	5/2004	Chen
7,293,934 B1	11/2007	Huang	2004/0232633 A1	11/2004	Chaput et al.
7,303,199 B2	12/2007	Chen	2005/0236783 A1	10/2005	Reid
D564,037 S	3/2008	Cramer et al.	2006/0103096 A1	5/2006	Chen
7,438,303 B2	10/2008	Cole	2006/0103097 A1	5/2006	Chen
D579,987 S	11/2008	Hong	2007/0200305 A1	8/2007	Hanson
D580,500 S	11/2008	Hong	2008/0284121 A1	11/2008	French
D581,991 S	12/2008	Armand et al.	2009/0160150 A1	6/2009	Johnson
7,540,517 B2	6/2009	Wernli	2009/0273152 A1	11/2009	Chung
D603,463 S	11/2009	Jessie, Jr.	2010/0123295 A1	5/2010	Landau
7,632,035 B2	12/2009	Cheng	2010/0140886 A1	6/2010	Gorisch
7,766,351 B2	8/2010	Chen et al.	2011/0042913 A1	2/2011	Landau
7,798,515 B2	9/2010	Valdez et al.	2011/0089659 A1	4/2011	Hunt
			2013/0320648 A1	12/2013	Eckert et al.

* cited by examiner



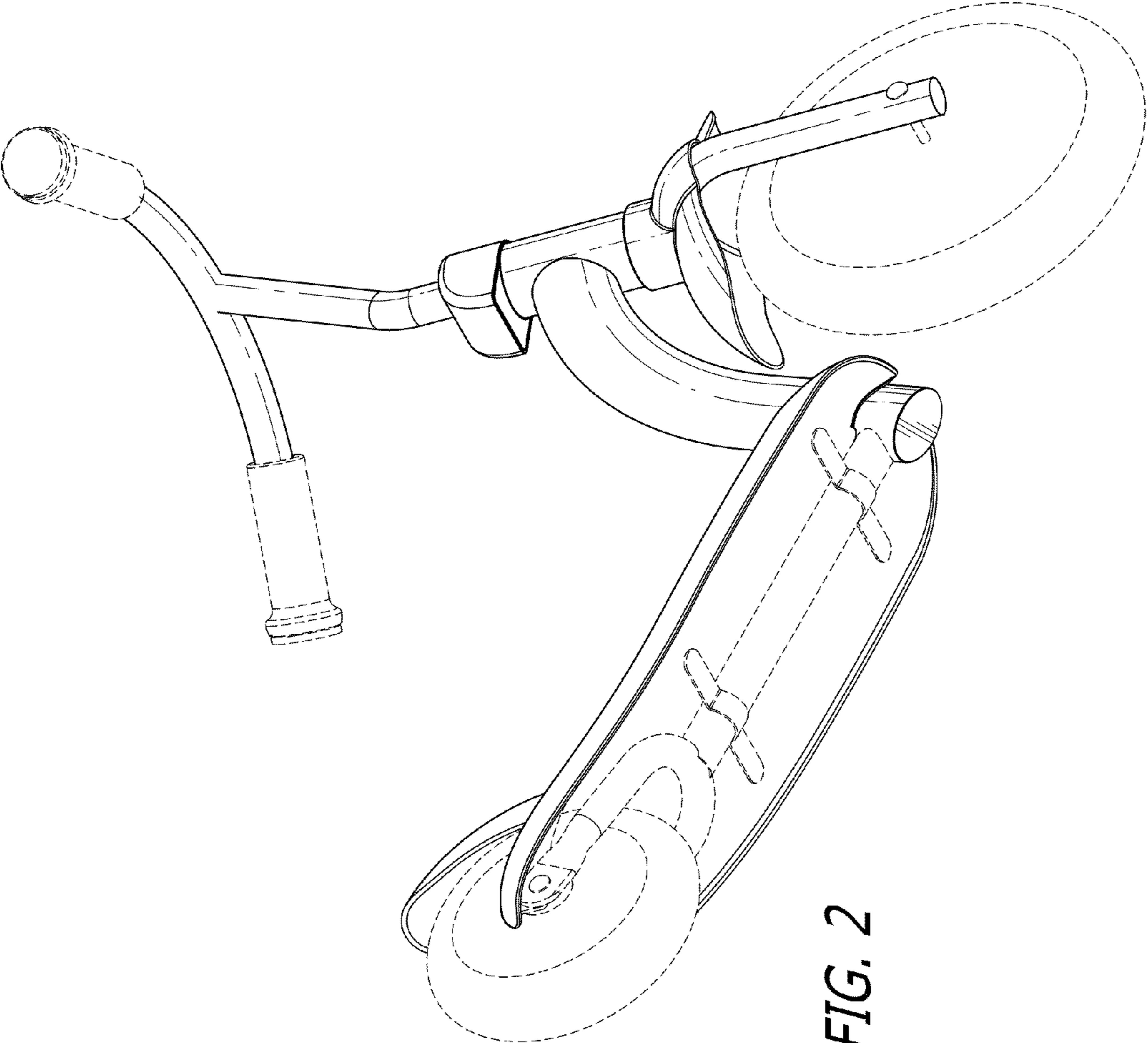
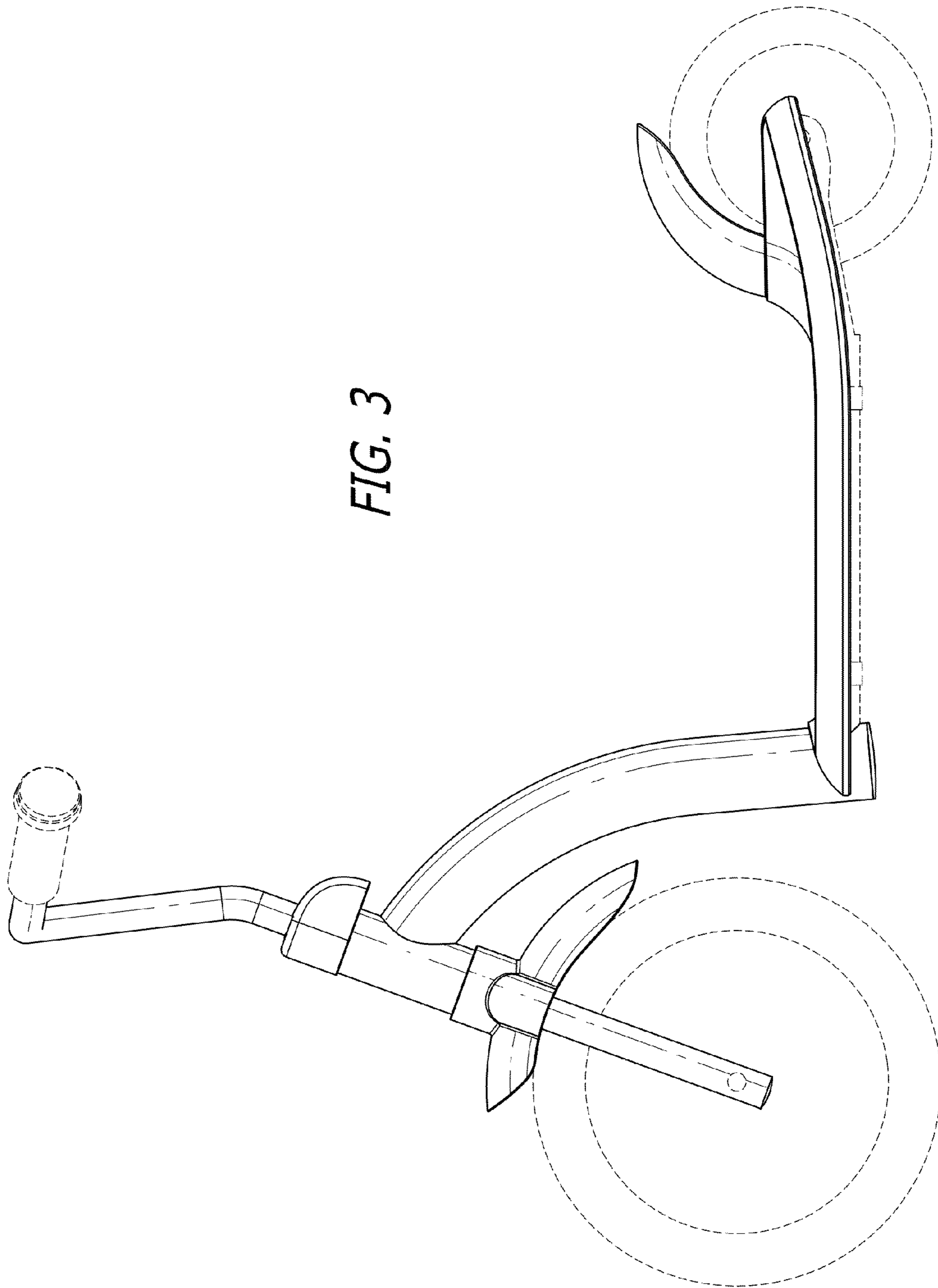


FIG. 2



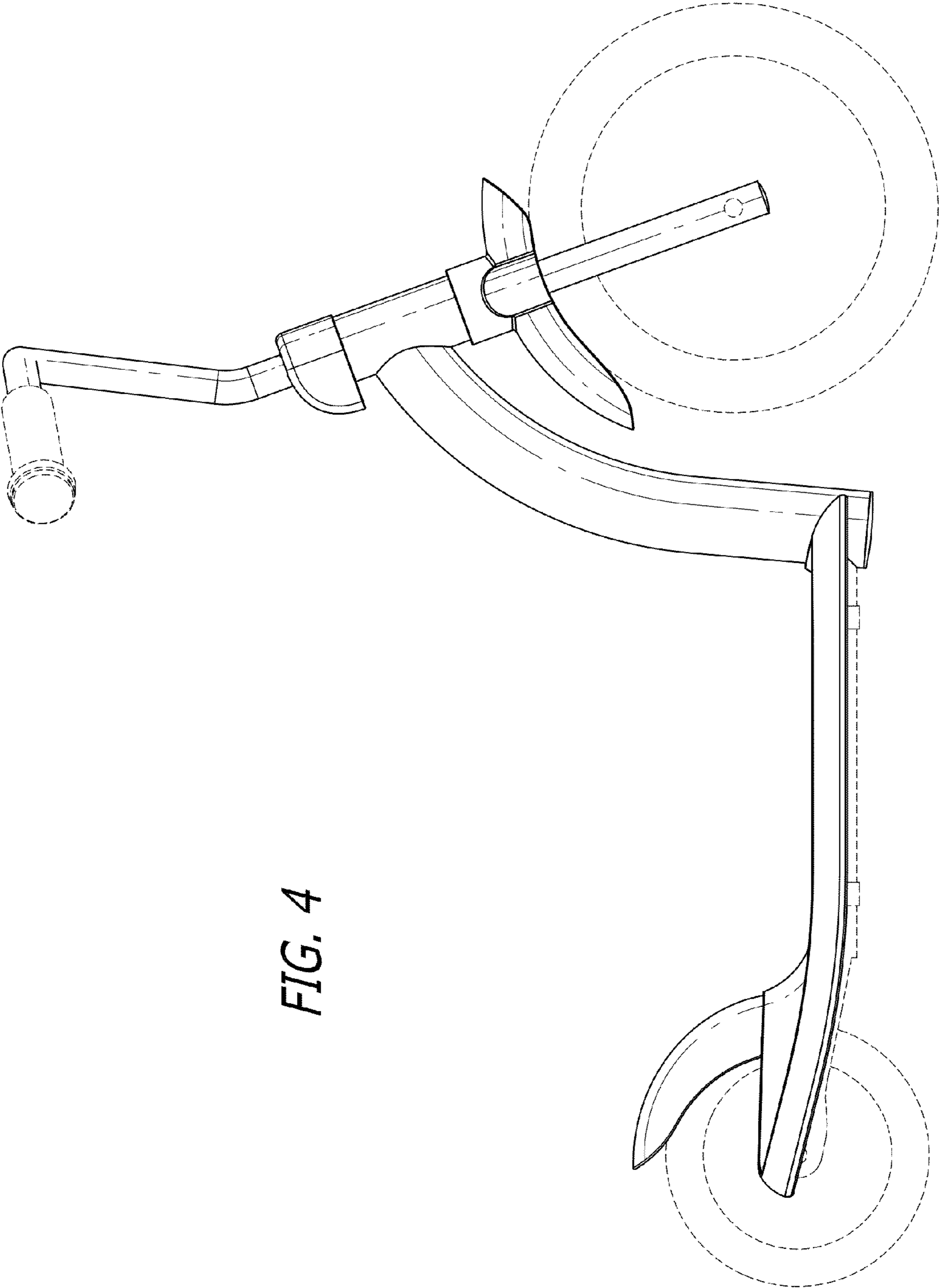


FIG. 4

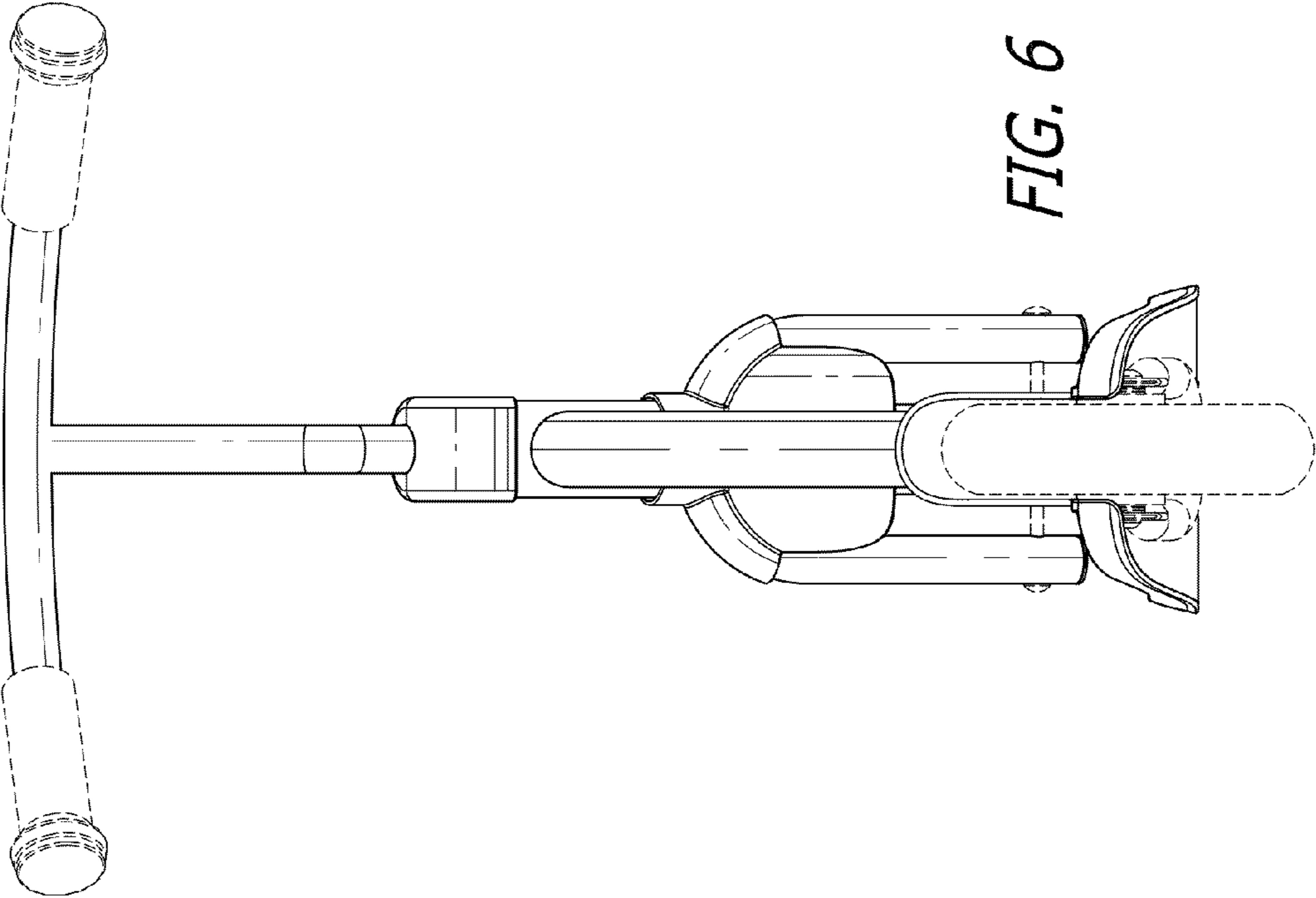


FIG. 6

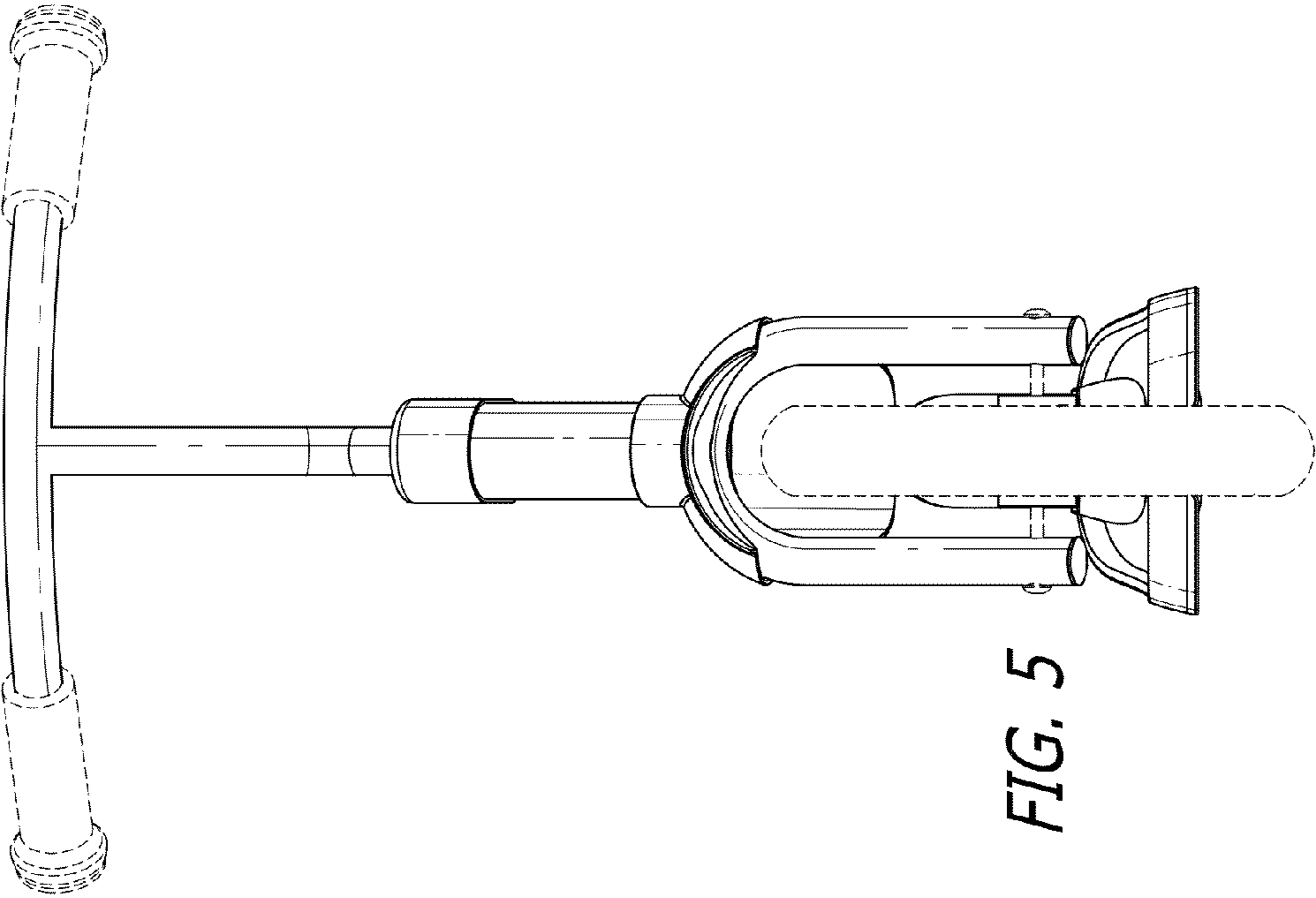


FIG. 5

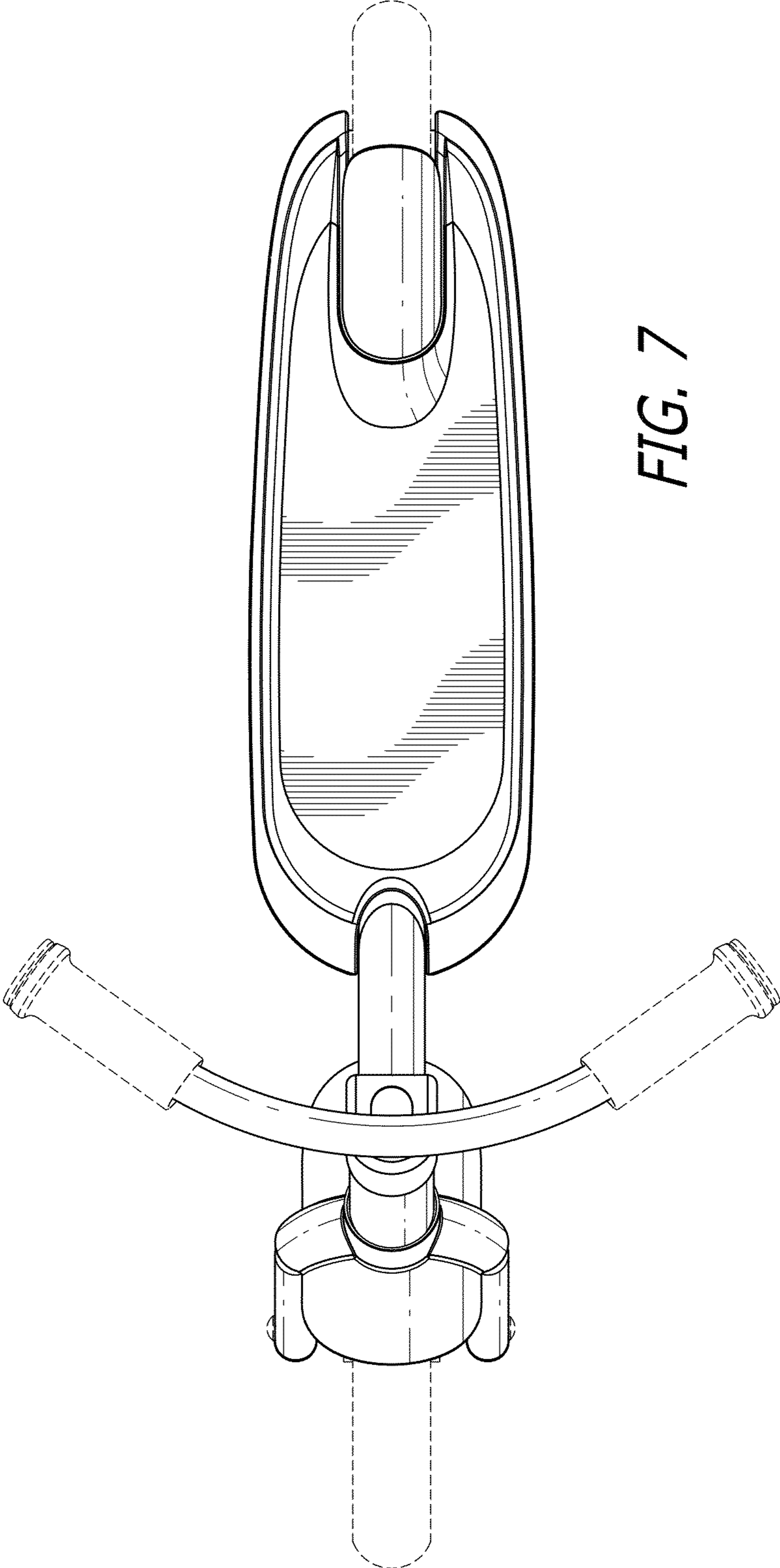


FIG. 7

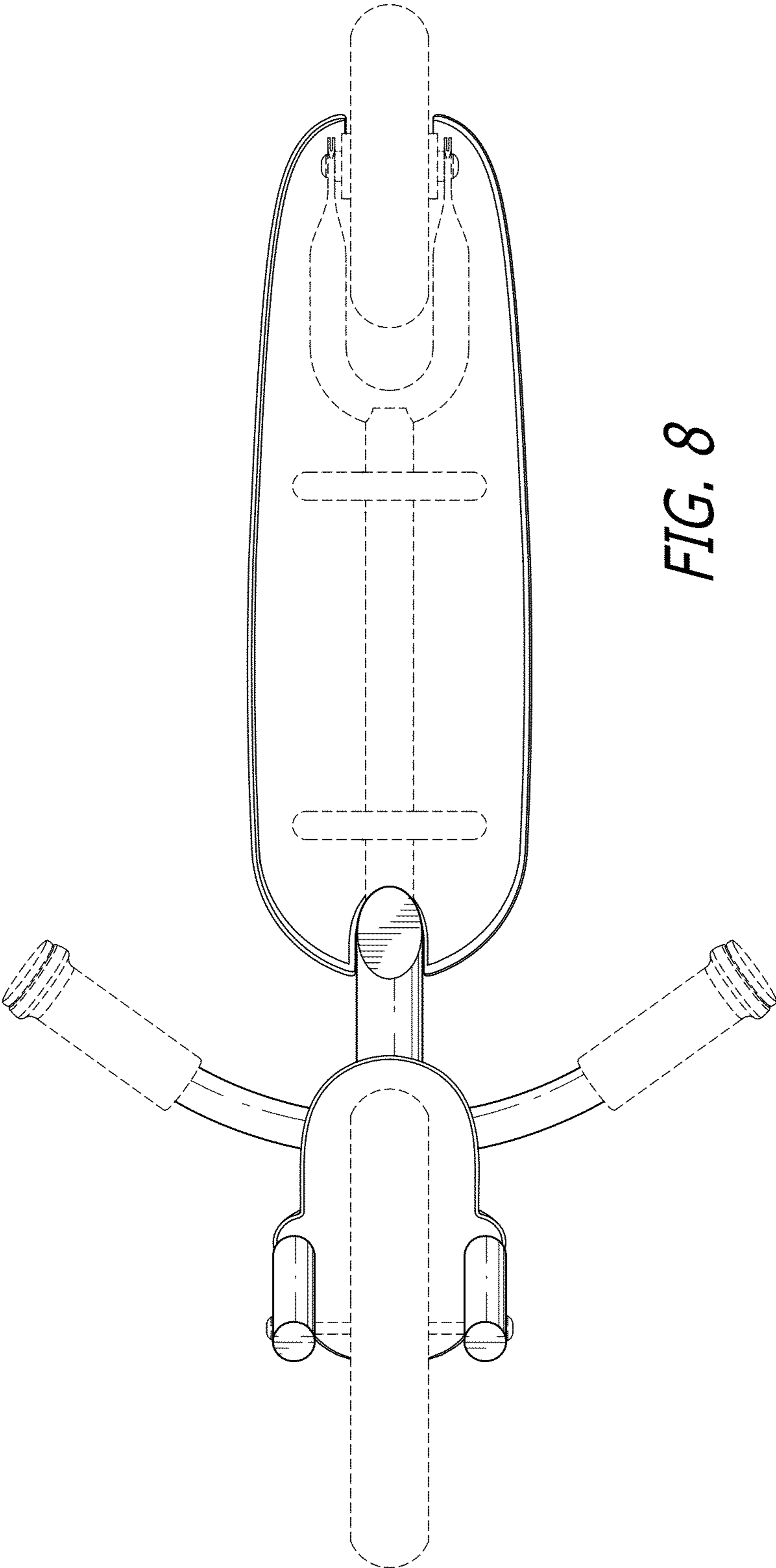


FIG. 8