

US00D756461S

(12) **United States Design Patent**  
**Lueken**

(10) **Patent No.:** **US D756,461 S**

(45) **Date of Patent:** **\*\* May 17, 2016**

(54) **PAIR OF ADVERTISING PANELS AFFIXED TO THE ENTRY PORTION OF A SHOPPING CART CORRAL**

(71) Applicant: **Starlite Media, LLC**, New York, NY (US)

(72) Inventor: **Harold Lueken**, New York, NY (US)

(73) Assignee: **Starlite Media, LLC**, New York, NY (US)

(\*\*) Term: **14 Years**

(21) Appl. No.: **29/482,671**

(22) Filed: **Feb. 20, 2014**

**Related U.S. Application Data**

(63) Continuation of application No. 29/455,421, filed on May 20, 2013, now Pat. No. Des. 703,271, which is a continuation of application No. 29/427,246, filed on Jul. 16, 2012, now Pat. No. Des. 682,944, which is a

(Continued)

(51) **LOC (10) Cl.** ..... **20-03**

(52) **U.S. Cl.**  
USPC ..... **D20/19**

(58) **Field of Classification Search**

USPC ..... 20/10, 17, 19, 29, 39, 41, 43, 99;  
D10/109.1, 109.2, 113.4; D6/675.5,  
D6/678.4; D25/1, 2, 32, 43  
CPC ..... G09F 7/00; G09F 7/02; G09F 7/06;  
G09F 7/08; G09F 7/18; G09F 7/002; G09F  
9/00; G09F 13/00; G09F 13/02; G09F 13/04;  
G09F 15/00; G09F 15/0012; G09F 15/0037;  
G09F 15/02; G09F 2007/1821; G09F  
2007/1834; G09F 2013/0431; G09F  
2013/0495; G09F 2017/0075; G09F 17/00;  
G09F 21/04; A47F 10/04; E04H 1/1211;  
E04H 3/04

See application file for complete search history.

(56) **References Cited**

U.S. PATENT DOCUMENTS

D31,832 S 11/1899 Marcus  
1,927,997 A 9/1933 Weston

(Continued)

FOREIGN PATENT DOCUMENTS

CA 2848905 3/2013  
CN 203054922 7/2013

(Continued)

OTHER PUBLICATIONS

RFID Technology [online], [retrieved Feb. 14, 2013]. Retrieved from the Internet: <URL: <http://www.vorelco.com/services/rfid-technology>>, 16 pages.

(Continued)

*Primary Examiner* — Mary Ann Calabrese

(74) *Attorney, Agent, or Firm* — Bryan Cave LLP

(57) **CLAIM**

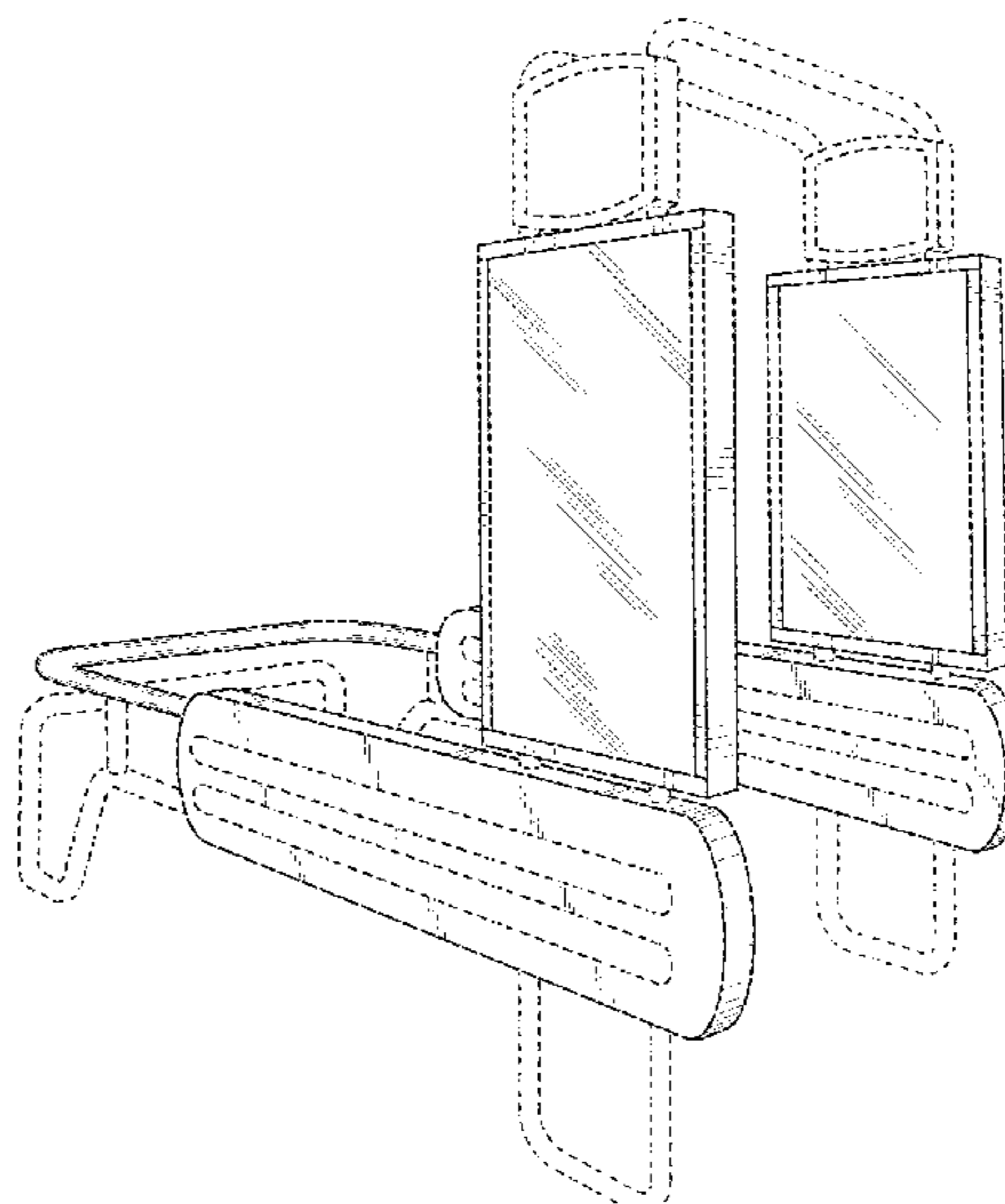
The ornamental design for a pair of advertising panels affixed to the entry portion of a shopping cart corral, as shown and described.

**DESCRIPTION**

FIG. 1 is a perspective view of the pair of advertising panels affixed to the entry portion of a shopping cart corral; FIG. 2 is a right side view thereof; FIG. 3 is a left side view thereof; FIG. 4 is a front view thereof; FIG. 5 is a rear view thereof; and, FIG. 6 is a top view thereof.

The broken line showings of the shopping cart corral in FIGS. 1-6 are for the purpose of illustrating an environment only and form no part of the claimed design.

**1 Claim, 6 Drawing Sheets**



**Related U.S. Application Data**

continuation of application No. 29/399,024, filed on Aug. 8, 2011, now Pat. No. Des. 663,779, which is a continuation-in-part of application No. 29/357,739, filed on Mar. 16, 2010, now abandoned.

D701,322 S 3/2014 McCue et al.  
 D703,271 S 4/2014 Lueken  
 8,984,782 B1 \* 3/2015 Lueken ..... G09F 7/002  
 211/17  
 8,998,003 B2 \* 4/2015 McCue ..... E04H 1/1205  
 211/17

(56)

**References Cited**

U.S. PATENT DOCUMENTS

2,165,724 A 7/1939 Le  
 2,985,316 A 5/1961 Ruhnke  
 3,323,655 A 6/1967 Foran et al.  
 D219,946 S 2/1971 Birnberg  
 3,722,702 A 3/1973 Marker, Jr.  
 4,236,697 A 12/1980 Savino  
 4,292,352 A 9/1981 Singer  
 4,364,192 A 12/1982 Lloyd  
 D269,978 S 8/1983 Dickson  
 4,609,183 A 9/1986 Ulmer  
 D286,074 S 10/1986 Corte  
 4,777,750 A 10/1988 Garfinkle  
 4,884,353 A 12/1989 Taylor  
 4,918,878 A 4/1990 Paschke et al.  
 4,957,256 A 9/1990 Boeding  
 D321,798 S 11/1991 Buckley  
 5,082,087 A 1/1992 Hubbell  
 D334,301 S 3/1993 Buckley  
 5,201,426 A 4/1993 Cruwell  
 5,220,740 A 6/1993 Brault  
 5,279,085 A 1/1994 DiPaolo et al.  
 D350,038 S 8/1994 Buckley  
 D361,448 S 8/1995 Buckley  
 5,551,578 A 9/1996 McCue et al.  
 D376,854 S 12/1996 DiPaolo et al.  
 5,626,926 A 5/1997 Roberts  
 5,708,782 A 1/1998 Larson et al.  
 5,862,921 A 1/1999 Venegas  
 5,875,578 A 3/1999 Grewe  
 5,878,518 A 3/1999 Grewe  
 6,298,997 B1 10/2001 Jarrett et al.  
 6,449,888 B1 9/2002 Gibbs  
 6,493,997 B2 12/2002 Cohen  
 6,581,616 B1 6/2003 Venegas  
 D488,904 S 4/2004 Unnerstall et al.  
 D492,732 S 7/2004 Herbst  
 D495,011 S 8/2004 Trubiano  
 D497,167 S 10/2004 Ozolins et al.  
 6,975,205 B1 12/2005 French et al.  
 7,044,446 B2 5/2006 Hempen et al.  
 7,140,581 B1 11/2006 White  
 D537,952 S 3/2007 Anton  
 D540,472 S 4/2007 Van Es  
 7,210,270 B1 5/2007 King et al.  
 7,237,360 B2 7/2007 Moncho et al.  
 7,283,650 B1 10/2007 Sharma et al.  
 D587,761 S 3/2009 Grimshaw  
 D588,201 S 3/2009 Kohagen et al.  
 7,660,747 B2 2/2010 Brice et al.  
 D615,129 S 5/2010 Allen  
 D620,531 S 7/2010 Allen  
 7,894,936 B2 2/2011 Walker et al.  
 7,895,782 B2 3/2011 Farrell  
 8,015,737 B2 9/2011 Venegas, Jr.  
 8,104,671 B2 1/2012 Besecker et al.  
 D653,709 S 2/2012 Allen  
 RE43,233 E 3/2012 Venegas, Jr.  
 8,205,757 B2 6/2012 Allen  
 D663,779 S 7/2012 Lueken  
 D667,504 S 9/2012 Allen  
 8,332,272 B2 12/2012 Fisher  
 8,424,690 B2 4/2013 Allen  
 D682,944 S 5/2013 Lueken  
 D695,835 S 12/2013 Lueken  
 D695,836 S 12/2013 Lueken  
 D695,837 S 12/2013 Lueken  
 D699,789 S 2/2014 Allen

2003/0115096 A1 6/2003 Reynolds et al.  
 2004/0079934 A1 4/2004 Hempen et al.  
 2004/0225560 A1 11/2004 Lewis et al.  
 2005/0083465 A1 4/2005 Niiyama et al.  
 2008/0040962 A1 2/2008 Gurren  
 2008/0120877 A1 5/2008 Farrell  
 2008/0185888 A1 8/2008 Beall et al.  
 2008/0262928 A1 10/2008 Michaelis  
 2009/0288012 A1 11/2009 Hertel et al.  
 2010/0114683 A1 5/2010 Wessels et al.  
 2010/0327245 A1 12/2010 Allen  
 2011/0047023 A1 2/2011 Lieblang et al.  
 2011/0185607 A1 8/2011 Forster et al.  
 2011/0218942 A1 9/2011 Scheffer  
 2012/0029998 A1 2/2012 Aversano et al.  
 2012/0066068 A1 3/2012 Pan  
 2012/0123826 A1 5/2012 French et al.  
 2012/0209686 A1 8/2012 Horowitz et al.  
 2012/0271715 A1 10/2012 Morton et al.  
 2013/0085835 A1 4/2013 Horowitz  
 2013/0090999 A1 4/2013 Lellouche  
 2013/0091002 A1 4/2013 Christie et al.  
 2013/0159090 A1 6/2013 Boal  
 2013/0204697 A1 8/2013 Boal  
 2013/0332253 A1 12/2013 Shiffert et al.  
 2013/0332258 A1 12/2013 Shiffert et al.  
 2013/0332274 A1 12/2013 Faith et al.  
 2013/0332283 A1 12/2013 Faith et al.  
 2014/0108108 A1 4/2014 Artman et al.

FOREIGN PATENT DOCUMENTS

EP 2273444 1/2011  
 EP 2487875 8/2012  
 WO WO 2013/040591 3/2013  
 WO WO 2013/126894 8/2013

OTHER PUBLICATIONS

Thinaire Launches the First Ever NFC Enterprise Marketing Platform [online], Sep. 12, 2012, [retrieved Jul. 31, 2014]. Retrieved from the Internet <URL: <http://globenewswire.com/news-release/2012/09/12/490308/10004878/en/Thinaire-TM-Launches-the-First-Ever-NFC-Enterprise-Marketing-Platform.html>>.

Kraft NFC pilot delivers 12 times the engagement level of QR codes [online], Oct. 18, 2012, [retrieved Jul. 31, 2014]. Retrieved from the Internet <URL: <http://www.mobilecommercedaily.com/kraft-nfc-pilot-delivers-12-times-the-engagement-level-of-qr-codes>>.

Valassis Launches Electronic Coupon Clearing Platform [online], Oct. 20, 2011, [retrieved Jul. 31, 2014]. Retrieved from the Internet <URL: <http://news.thomasnet.com/fullstory/Coupon-Redemption-Software-performs-real-time-validation-604347>>.

RFID—Enabled Cart Set to Provide Shoppers With Product Info, Ads [online], Jan. 31, 2007, [retrieved Jul. 31, 2014]. Retrieved from the Internet <URL: <http://rfidjournal.com/articles/view?3013>>.

Meijer's Smart Carts [online], Nov. 8, 2006, [retrieved Jul. 31, 2014]. Retrieved from the Internet <URL: <http://www.retailwire.com/discussion/11786/meijers-smart-carts>>.

Store logistics and payment with NFC [online], Jul. 1, 2006, [retrieved Jul. 31, 2014]. Retrieved from the Internet <URL: <http://www.ist-world.org/ProjectDetails.aspx?ProjectId=e89323fb585a4b798bf211f044c71b54&SourceDatabaseId=7cff9226e582440894200b751bab883f>>.

(56)

**References Cited**

OTHER PUBLICATIONS

Stop & Shop, Scan It! & Scan It! Mobile [online], [retrieved Aug. 1, 2014]. Retrieved from the Internet <URL: <http://www.stopandshop.com/scanitmobile>>.

Brand.net brochure, Mobile Ads: Any Device / Instant Action. Stop and Shop, Login [online], [retrieved Aug. 1, 2014]. Retrieved from the Internet <URL: [https://www.stopandshop.com/login/?\\_requestid=88655](https://www.stopandshop.com/login/?_requestid=88655)>.

\* cited by examiner

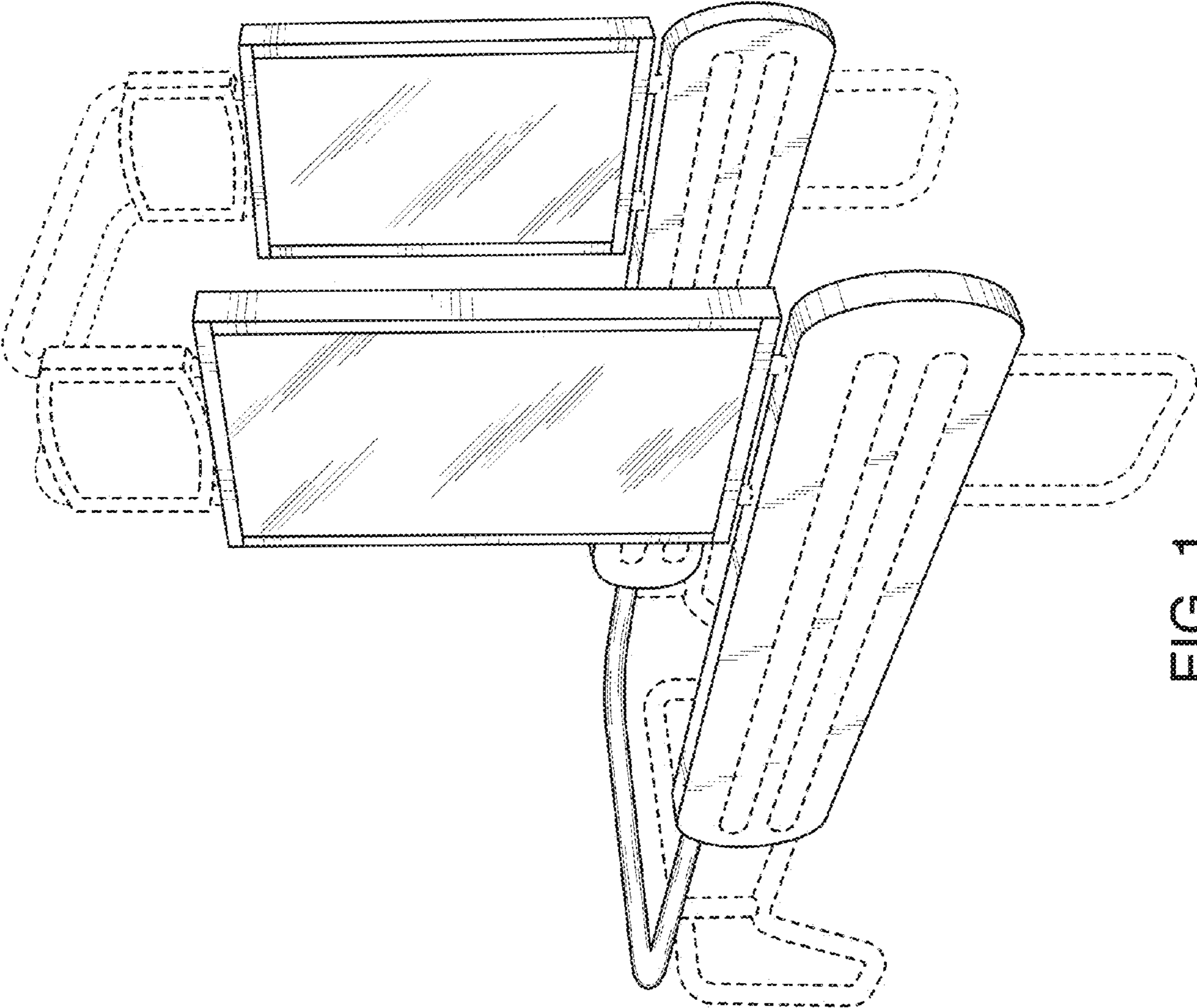


FIG. 1

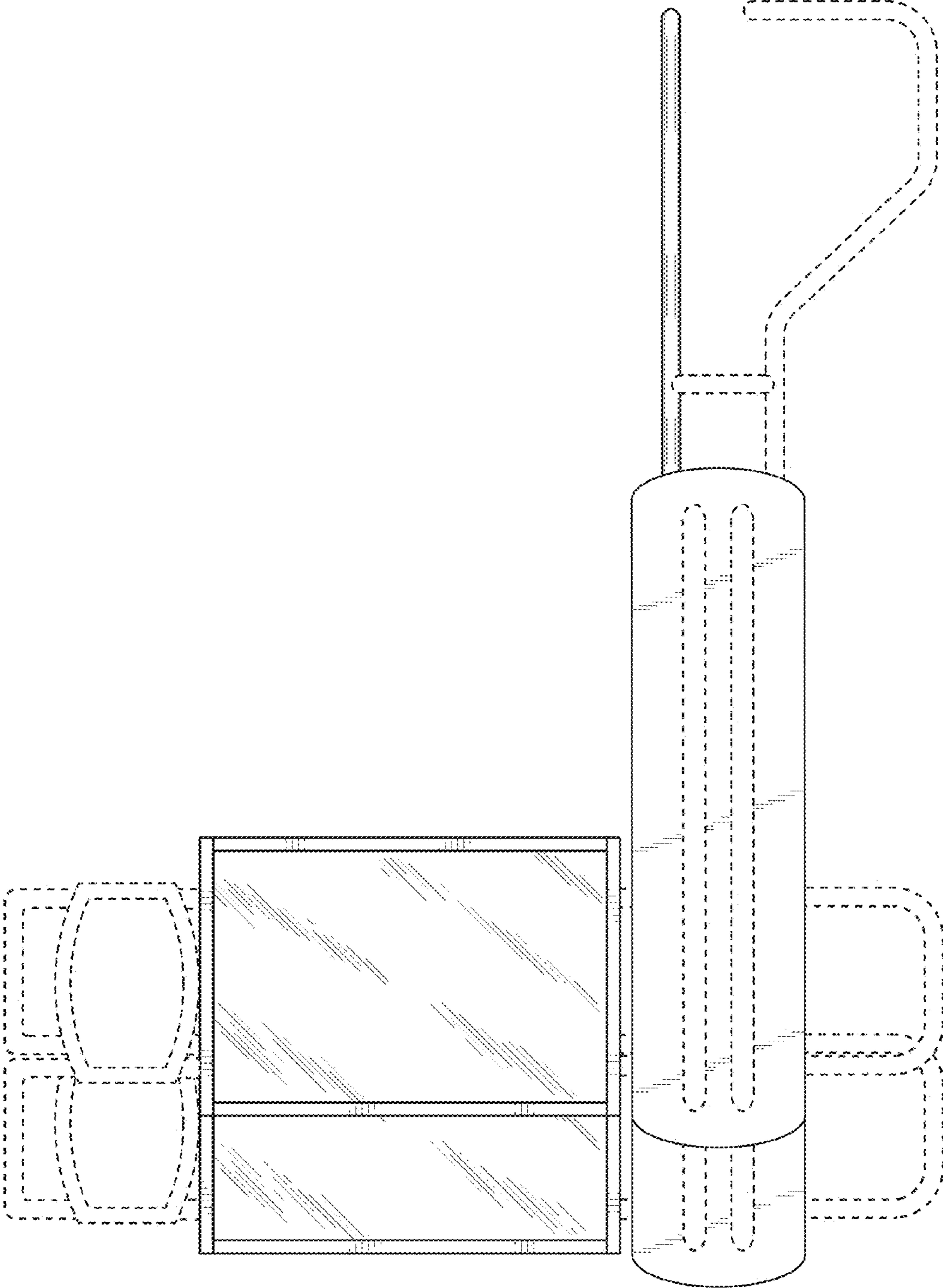


FIG. 2

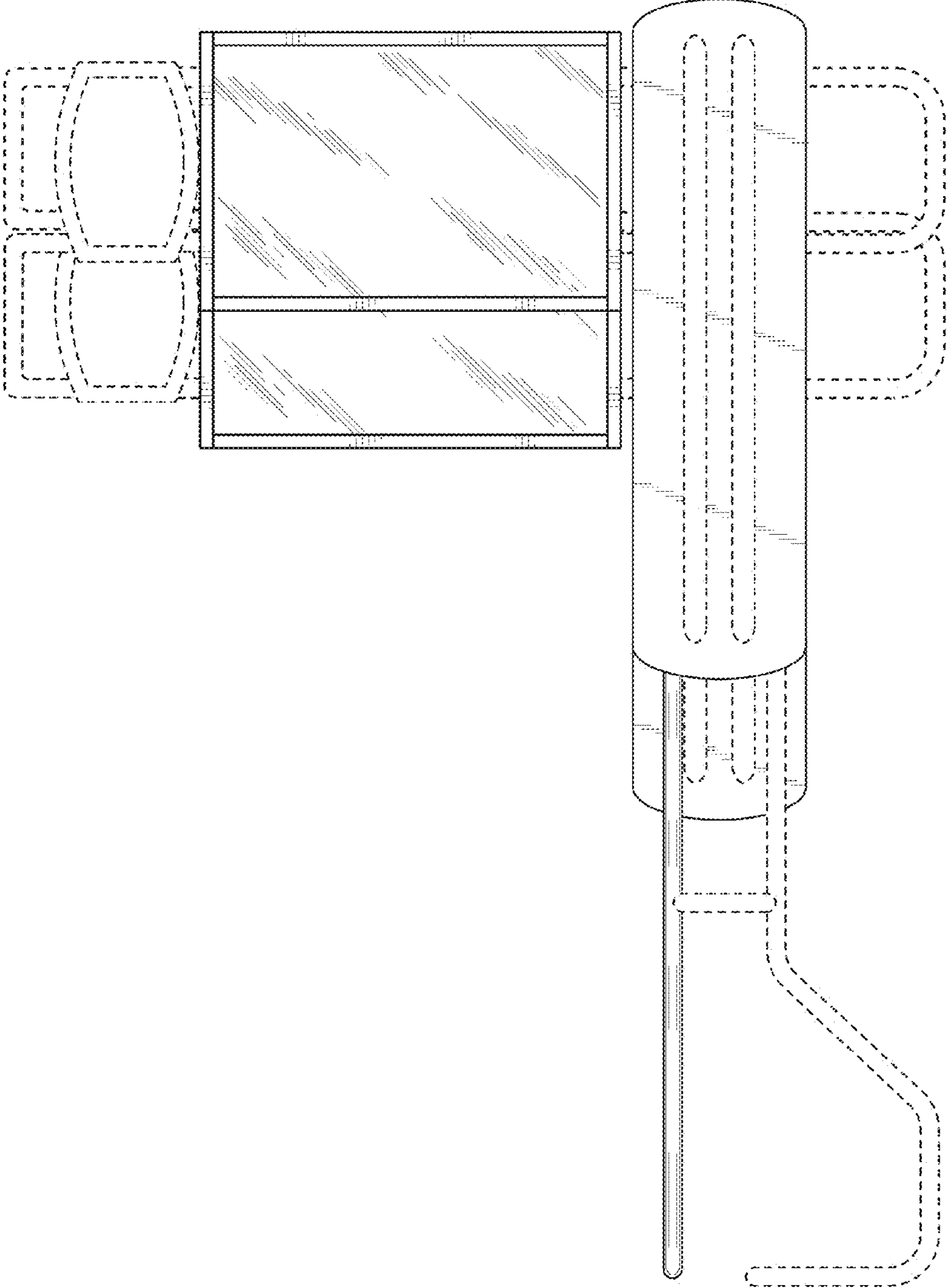


FIG. 3

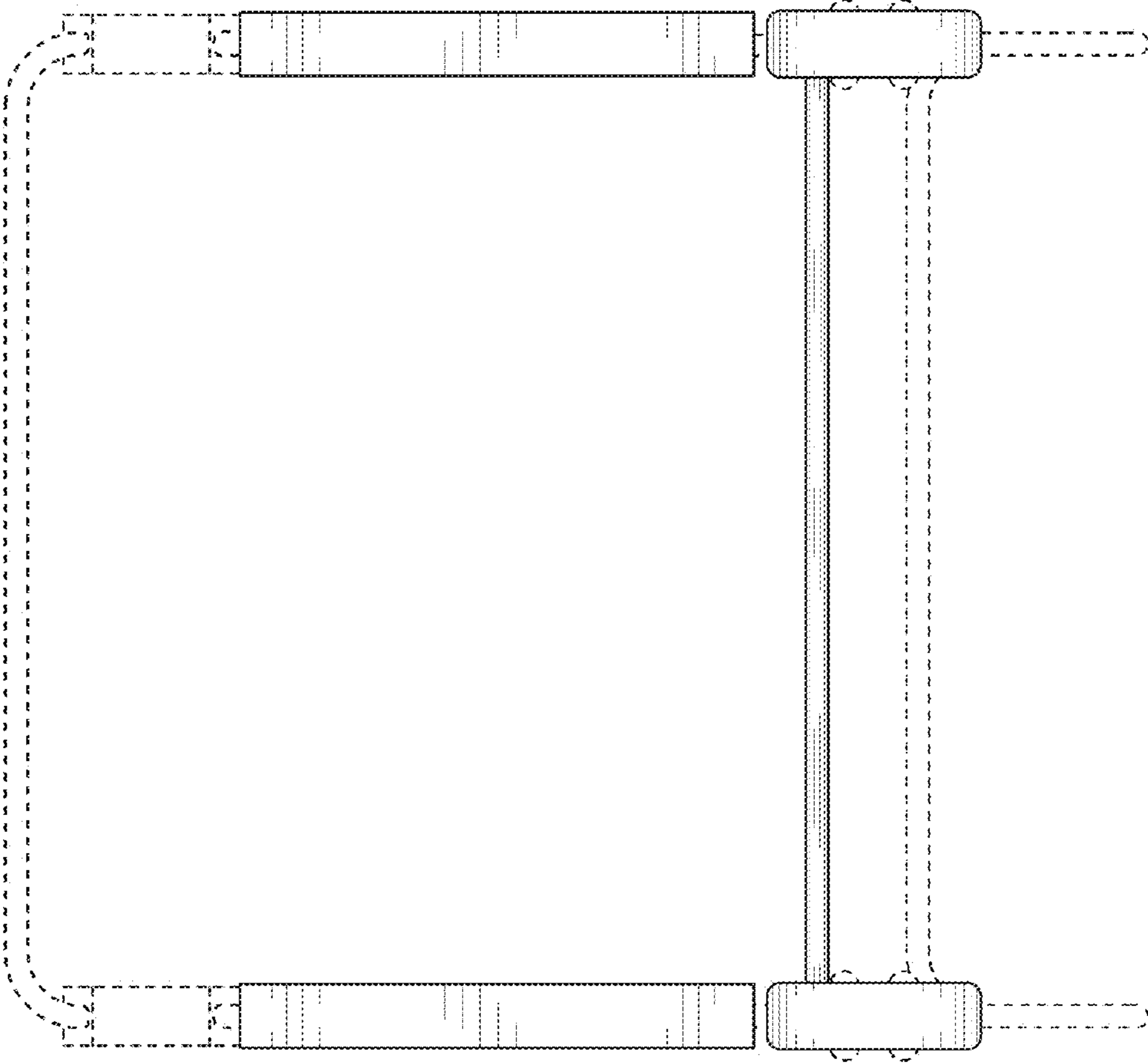


FIG. 4

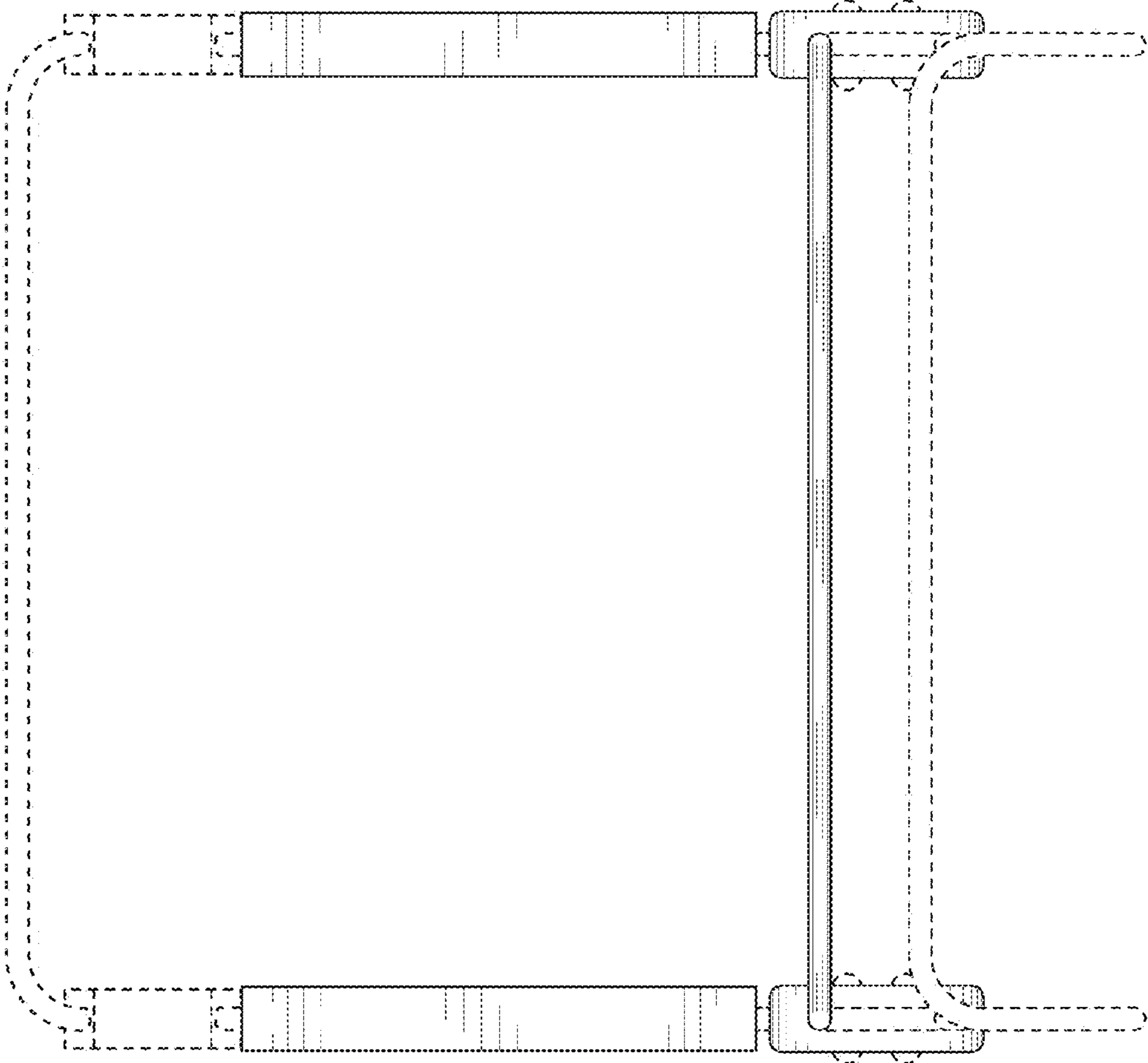


FIG. 5



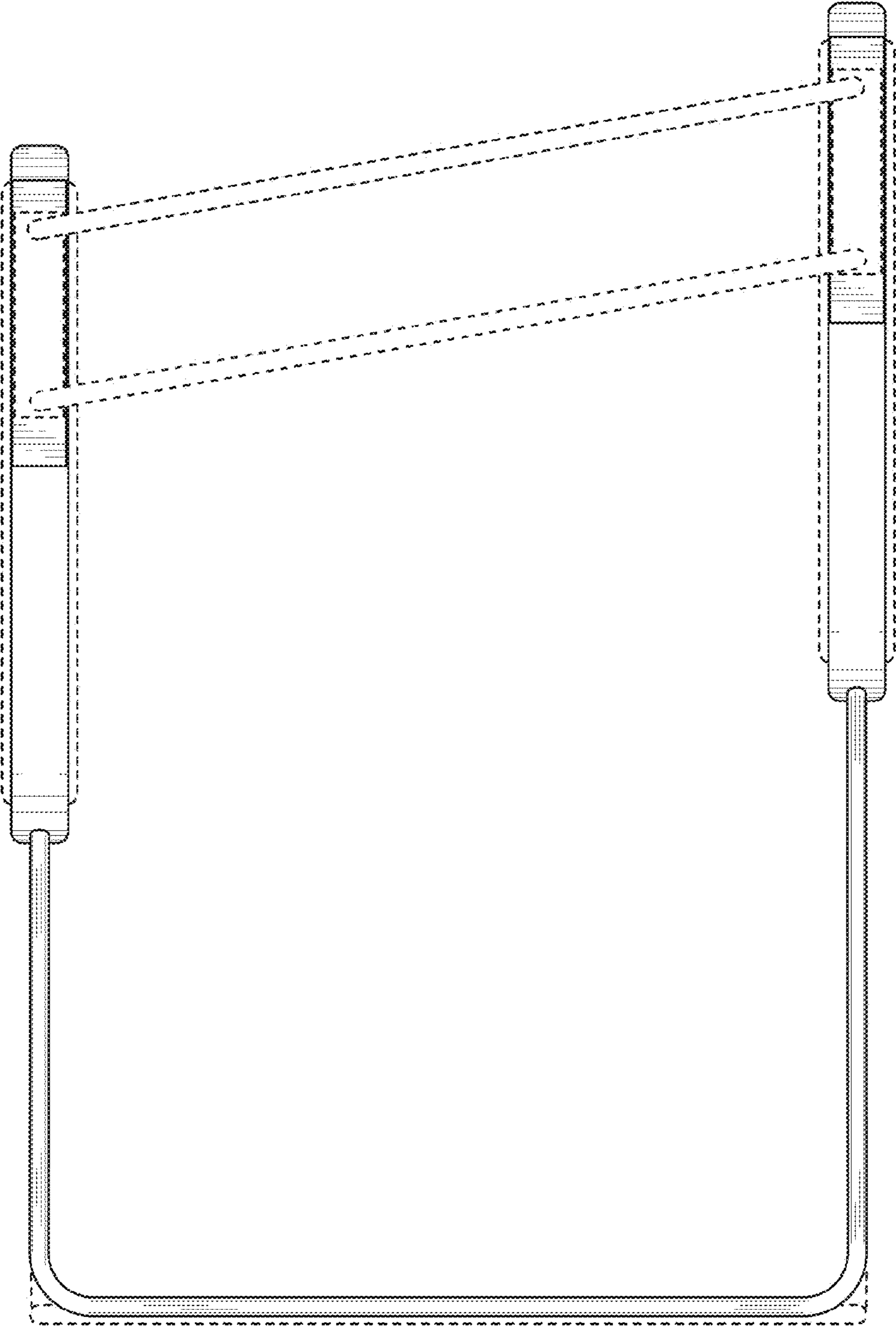


FIG. 6