



US00D756458S

(12) **United States Design Patent**
Tsai

(10) **Patent No.:** **US D756,458 S**
(45) **Date of Patent:** **** May 17, 2016**

- (54) **FILE ORGANIZER**
- (71) Applicant: **PRETTY STAR STORE LLC**,
Rowland Heights, CA (US)
- (72) Inventor: **Tsung-Yu Tsai**, Changhua (TW)
- (73) Assignee: **PRETTY STAR STORE LLC**,
Rowland Heights, CA (US)
- (**) Term: **14 Years**
- (21) Appl. No.: **29/519,687**
- (22) Filed: **Mar. 6, 2015**
- (51) **LOC (10) Cl.** **19-02**
- (52) **U.S. Cl.**
USPC **D19/90**
- (58) **Field of Classification Search**
USPC D3/206, 266; D6/678.4, 705.6, 705.7;
D7/600.1; D19/75-92
CPC A47B 63/00; A47F 7/14; A47F 7/145;
B42F 7/00; B42F 7/02; B42F 7/10; B42F
17/02; B42F 17/08
See application file for complete search history.

4,318,478 A *	3/1982	De Winter	A47J 47/16 206/373
4,593,822 A *	6/1986	Yeane	A61L 2/26 211/41.8
D369,933 S *	5/1996	Tiemann	D6/566
5,833,083 A *	11/1998	Miller	D06F 57/00 211/134
5,996,812 A *	12/1999	Sokol, Jr.	B42F 7/10 211/11
D534,374 S *	1/2007	Wright	D6/566
D555,203 S *	11/2007	Goodman	D19/90
8,286,808 B1 *	10/2012	Setlik	A47B 63/00 211/106.01
D719,610 S *	12/2014	Tsai	D19/90
9,050,848 B2 *	6/2015	Tsai	B42F 7/10
2011/0062093 A1 *	3/2011	McGhee	A47B 43/00 211/50

* cited by examiner

Primary Examiner — Elizabeth Albert

(74) *Attorney, Agent, or Firm* — Muncy, Geissler, Olds & Lowe, P.C.

(57) **CLAIM**

The ornamental design for a file organizer, as shown and described.

DESCRIPTION

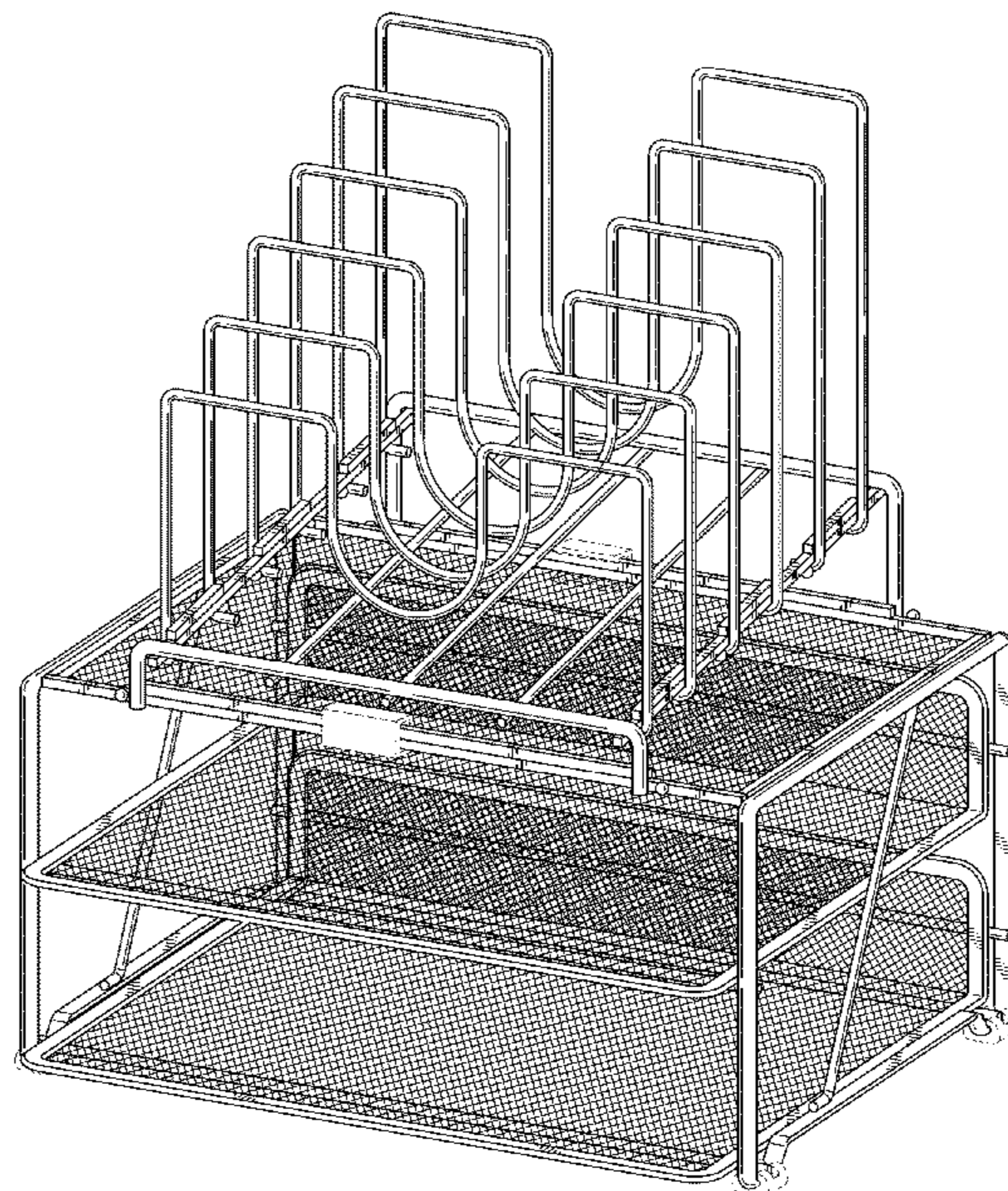
FIG. 1 is a perspective view of the present design;
 FIG. 2 is a front view of the present design;
 FIG. 3 is a rear view of the present design;
 FIG. 4 is a left side view of the present design;
 FIG. 5 is a right side view of the present design;
 FIG. 6 is a top view of the present design; and,
 FIG. 7 is a bottom view of the present design.
 The broken lines showing structural features are for illustrative purposes only and form no part of the claimed design.

1 Claim, 7 Drawing Sheets

(56) **References Cited**

U.S. PATENT DOCUMENTS

451,729 A *	5/1891	Dom	B42F 17/12 211/11
1,384,755 A *	7/1921	Hall	B42F 7/00 211/51
D189,356 S *	11/1960	Kolkey	D6/678.4
3,269,547 A *	8/1966	Chamberlin	A47B 57/58 108/60
D221,703 S *	8/1971	Fleming	D19/90
D237,849 S *	12/1975	Hale	D6/678.3
D249,913 S *	10/1978	Nicely	D19/91



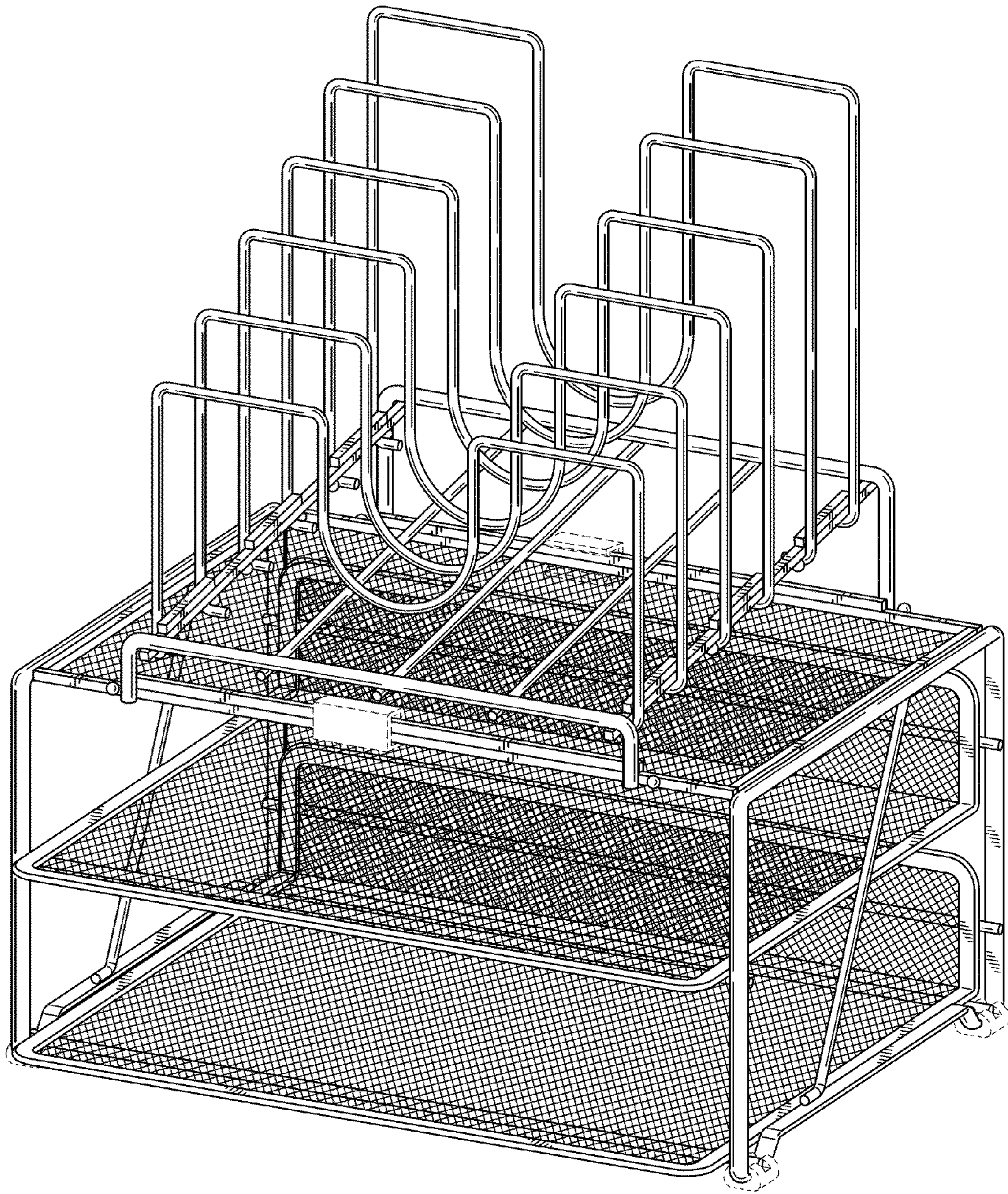


FIG. 1

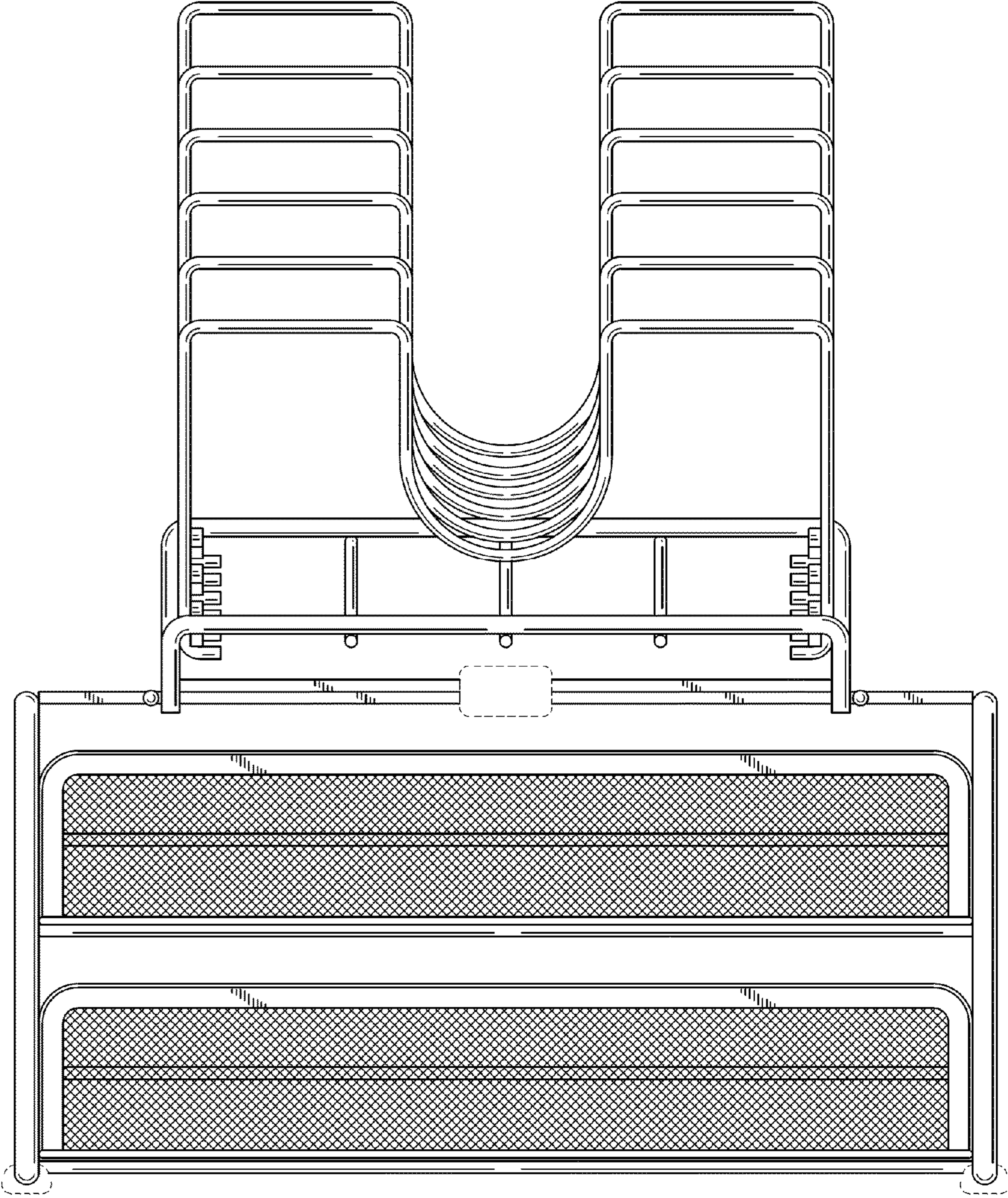


FIG. 2

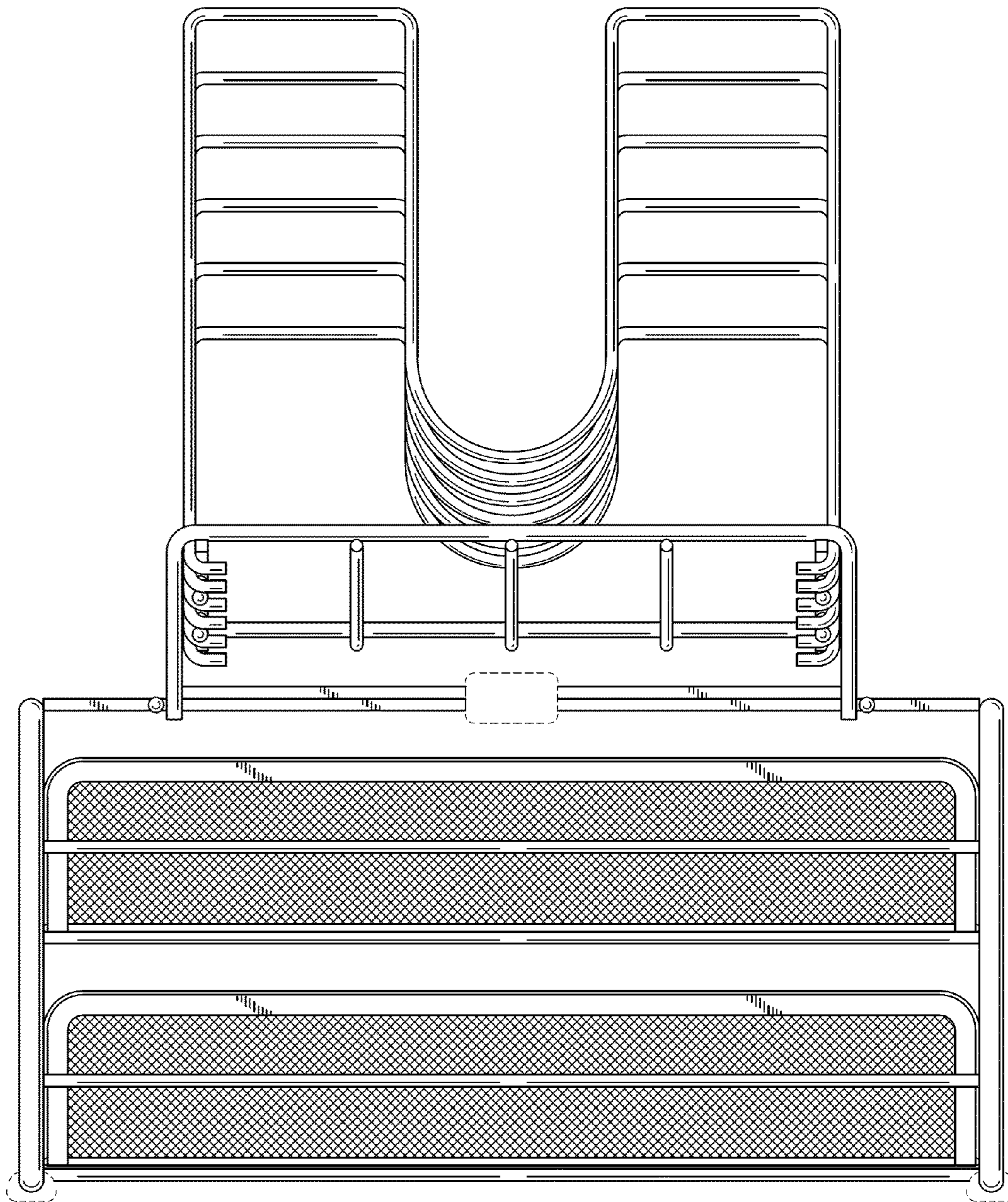


FIG. 3

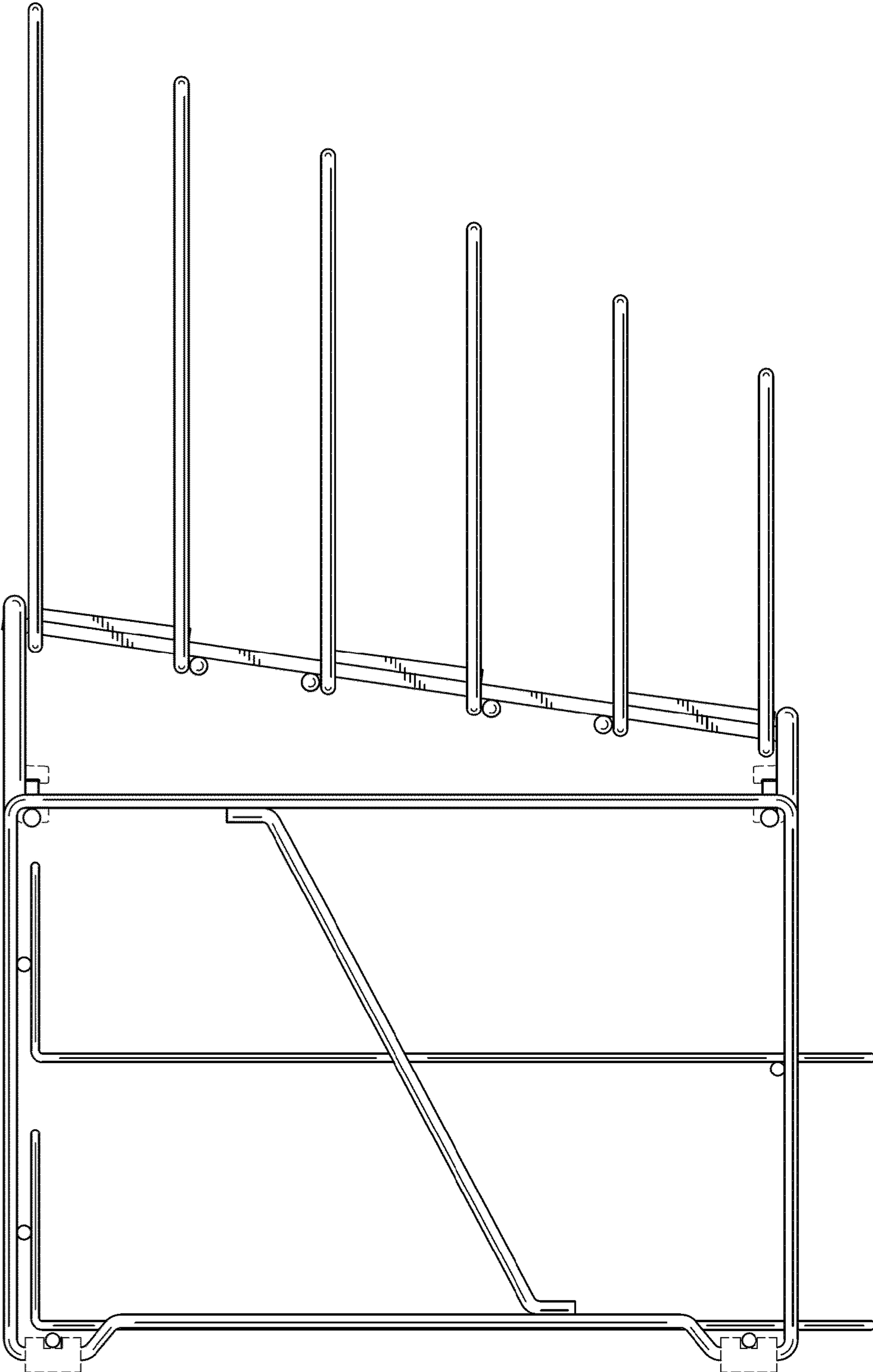


FIG. 4

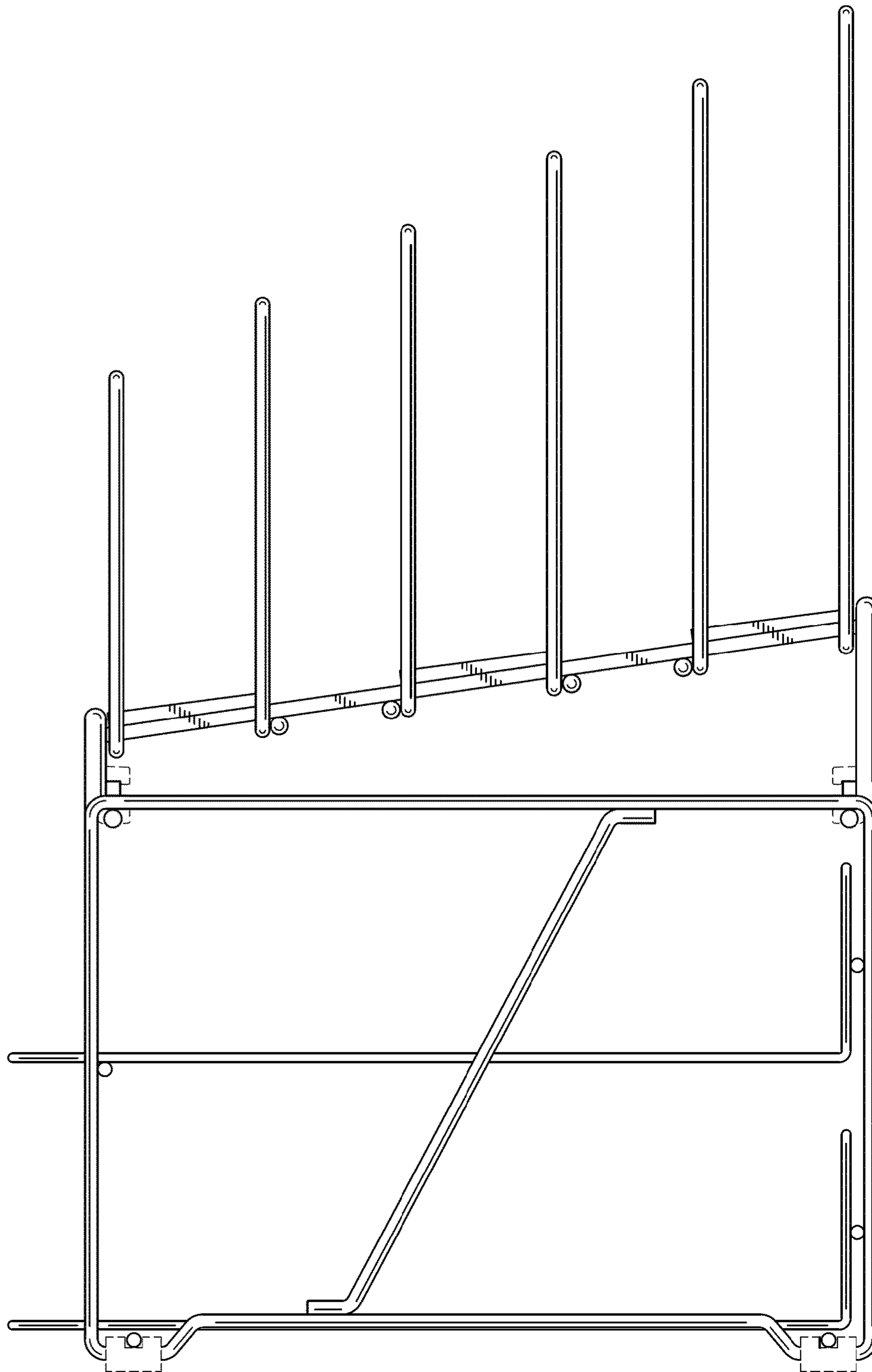


FIG. 5

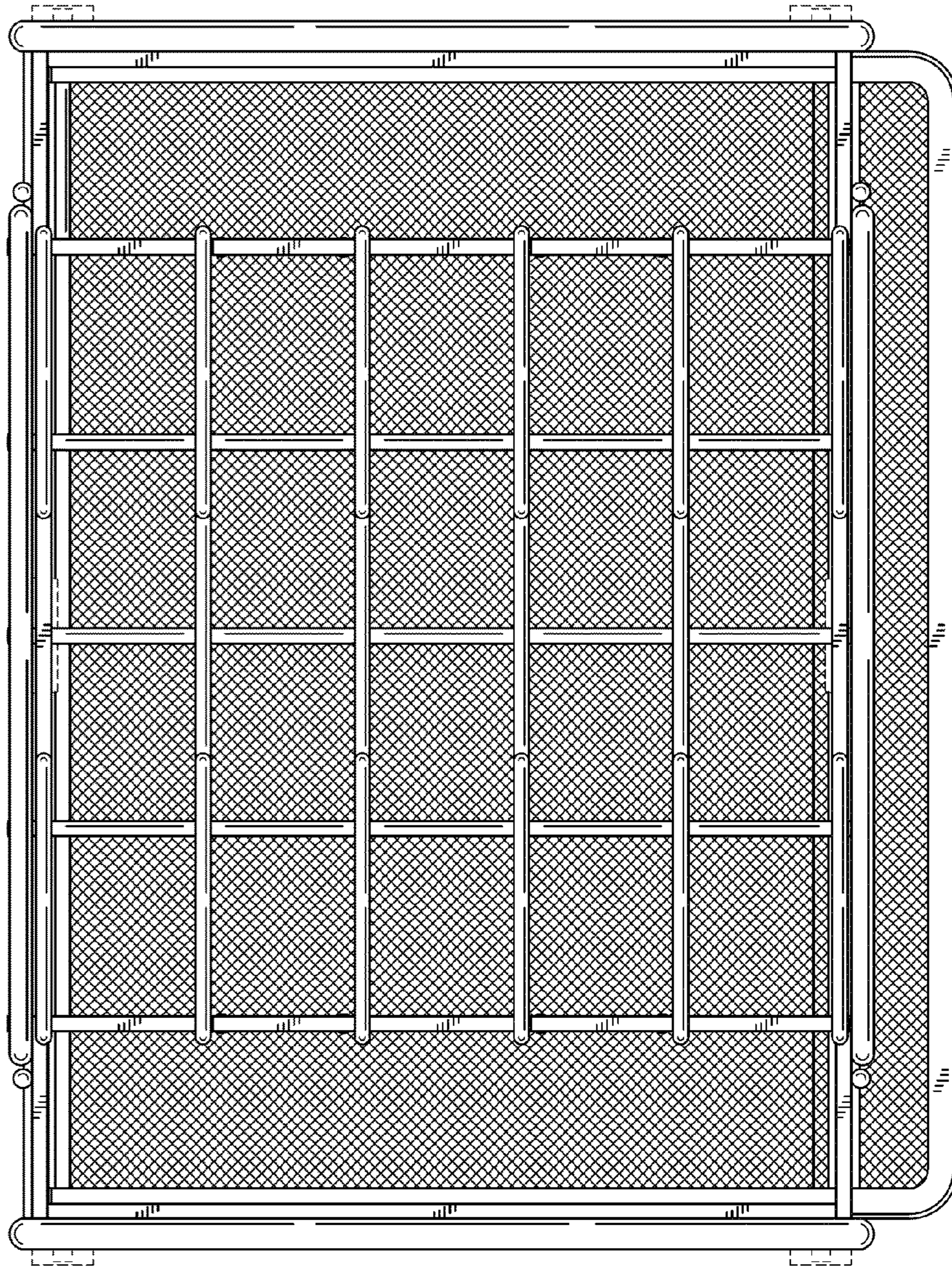


FIG. 6

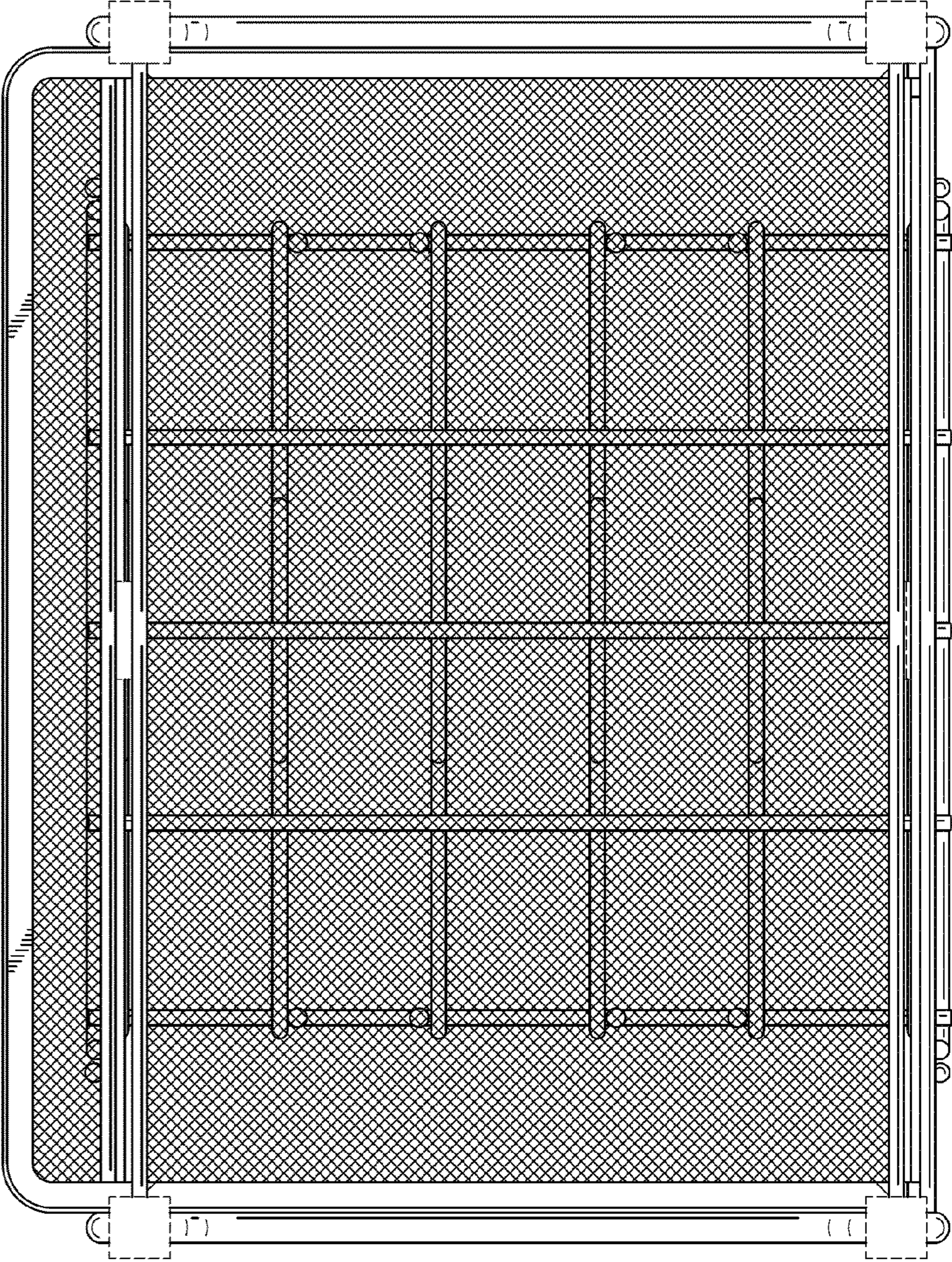


FIG. 7