



US00D756457S

(12) **United States Design Patent**
Tsai

(10) **Patent No.:** **US D756,457 S**
(45) **Date of Patent:** **** May 17, 2016**

- (54) **DESK ORGANIZER**
- (71) Applicant: **PRETTY STAR STORE LLC**,
Rowland Heights, CA (US)
- (72) Inventor: **Tsung-Yu Tsai**, Changhua (TW)
- (73) Assignee: **PRETTY STAR STORE LLC**,
Rowland Heights, CA (US)
- (**) Term: **14 Years**
- (21) Appl. No.: **29/514,621**
- (22) Filed: **Jan. 14, 2015**
- (51) **LOC (10) Cl.** **19-02**
- (52) **U.S. Cl.**
USPC **D19/90**
- (58) **Field of Classification Search**
USPC D3/206, 266; D6/678.4, 705.6, 705.7;
D7/600.1; D19/75-92
CPC A47B 63/00; A47F 7/14; A47F 7/145;
B42F 7/00; B42F 7/02; B42F 7/10; B42F
17/02; B42F 17/08
See application file for complete search history.

- (56) **References Cited**
U.S. PATENT DOCUMENTS
575,590 A * 1/1897 Brightman A47F 7/148
211/181.1
D199,943 S * 12/1964 Elvestad D19/86
D228,209 S * 8/1973 Woods D19/92
D230,234 S * 2/1974 Juhlin D6/570
D237,849 S * 12/1975 Hale D6/678.3
D249,913 S * 10/1978 Nicely D19/91
5,199,577 A * 4/1993 Curtis A47B 55/02
211/40

- D365,954 S * 1/1996 Milroy D6/566
- D369,933 S * 5/1996 Tiemann D6/566
- 5,810,176 A * 9/1998 Stravitz A47B 63/00
211/11
- 5,833,083 A * 11/1998 Miller D06F 57/00
211/134
- D433,712 S * 11/2000 Walsh D19/75
- D437,354 S * 2/2001 Andujar D19/75
- D475,411 S * 6/2003 Hardy D19/90
- D481,761 S * 11/2003 Walsh D19/75
- D488,660 S * 4/2004 Post D6/566
- D534,374 S * 1/2007 Wright D6/566
- 7,273,152 B1 * 9/2007 Kahn B26F 1/12
211/11
- D584,553 S * 1/2009 Goodman D19/90
- D689,945 S * 9/2013 Hu D19/90

* cited by examiner

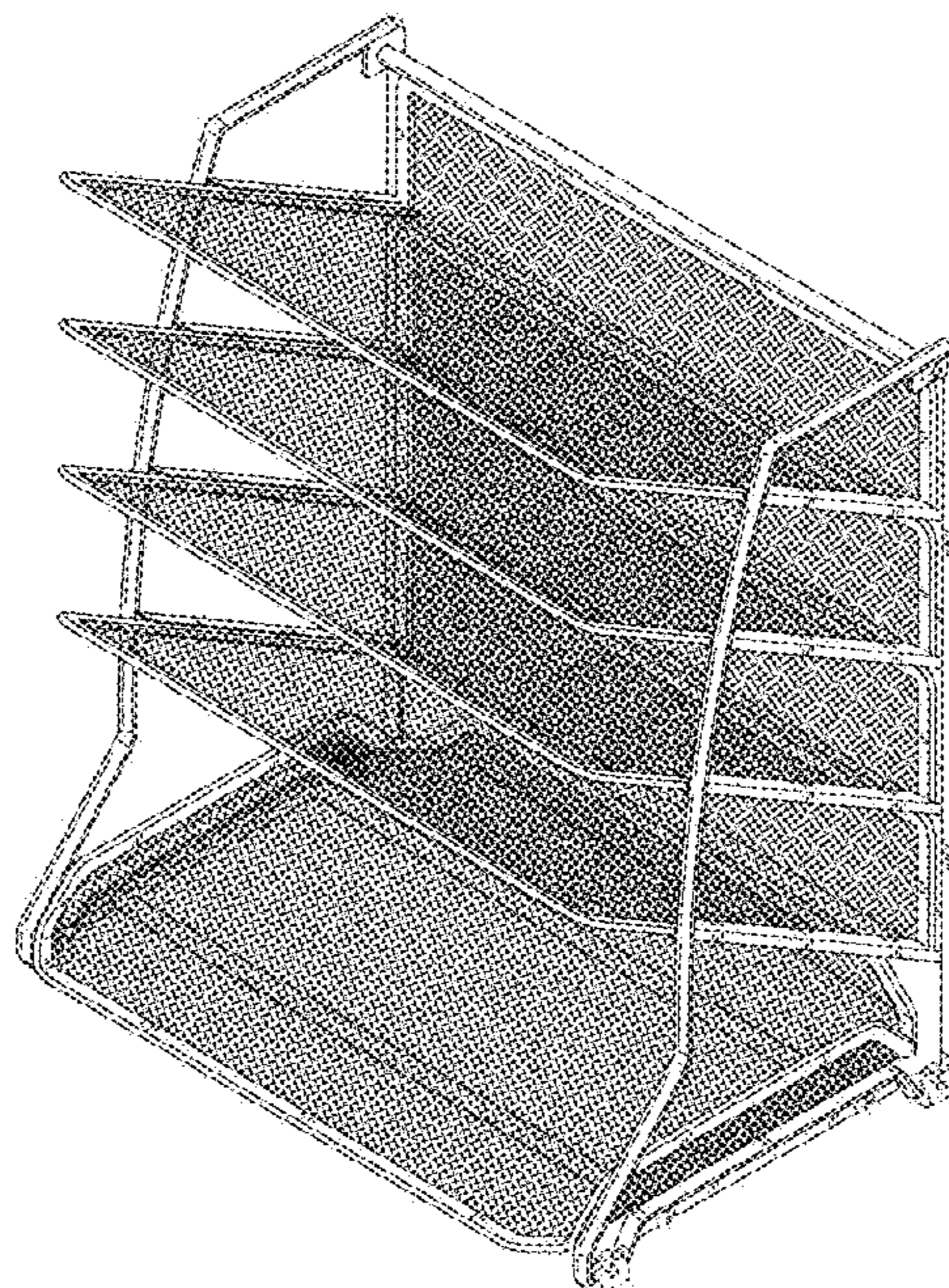
Primary Examiner — Elizabeth Albert
(74) *Attorney, Agent, or Firm* — Muncy, Geissler, Olds & Lowe, P.C.

(57) **CLAIM**
The ornamental design for a desk organizer, as shown and described.

DESCRIPTION

FIG. 1 is a perspective view of the present design;
FIG. 3 is a rear view of the present design;
FIG. 4 is a left side view of the present design;
FIG. 5 is a right side view of the present design;
FIG. 6 is a top view of the present design; and,
FIG. 7 is a bottom view of the present design.
The broken lines showing structural features are for illustrative purposes only and form no part of the claimed design.

1 Claim, 6 Drawing Sheets



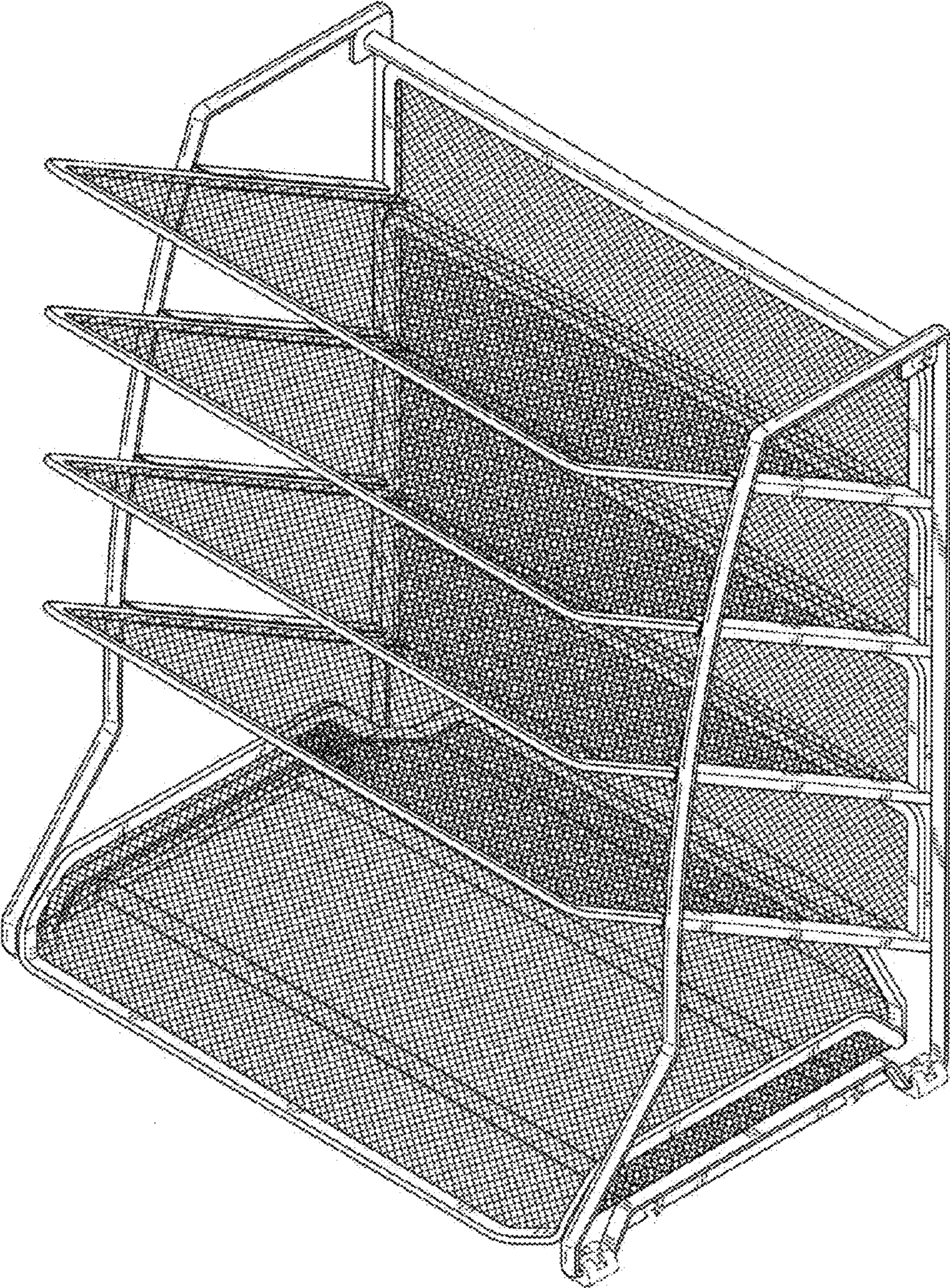


FIG. 1

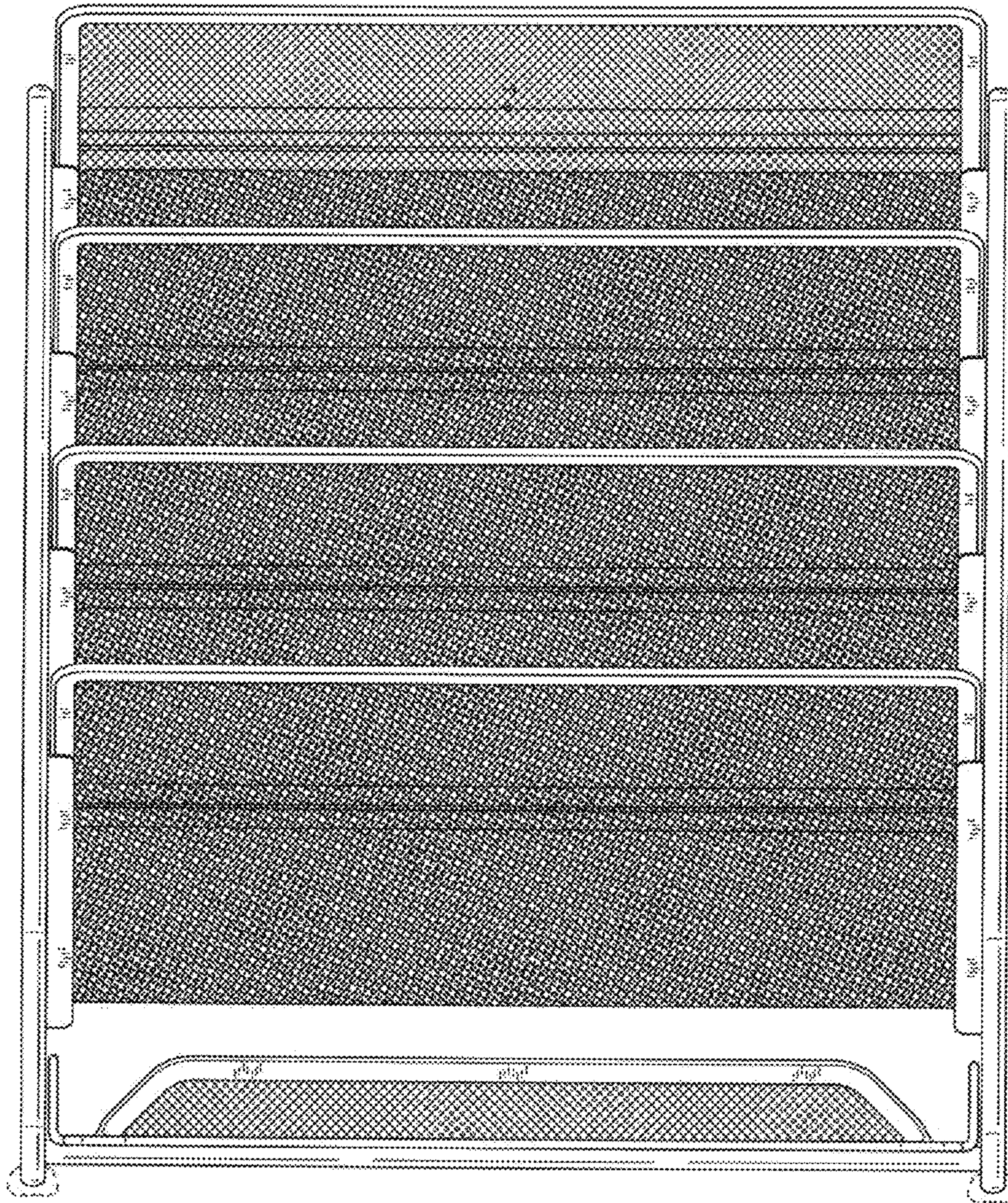


FIG. 2

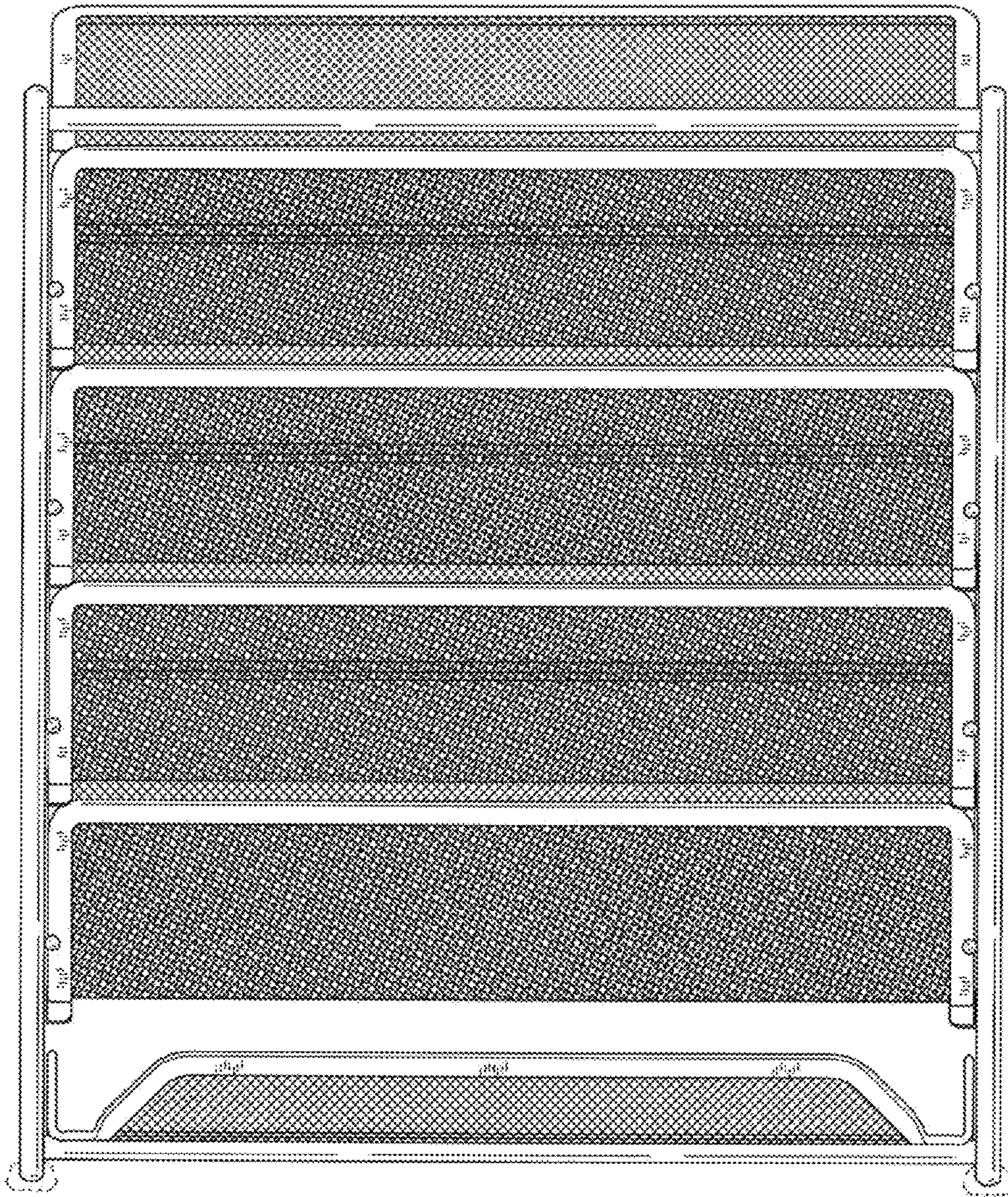


FIG. 3

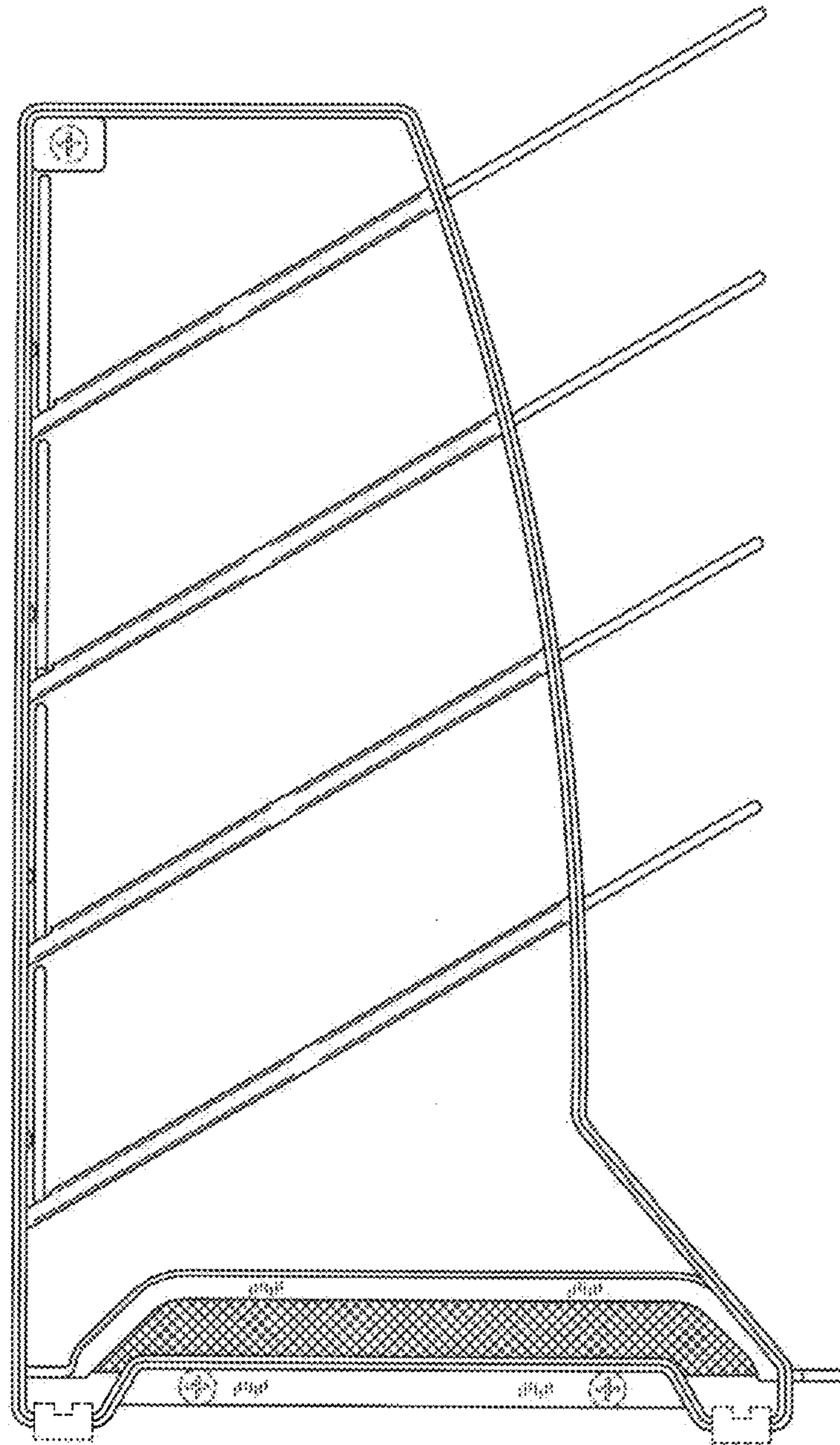


FIG. 4

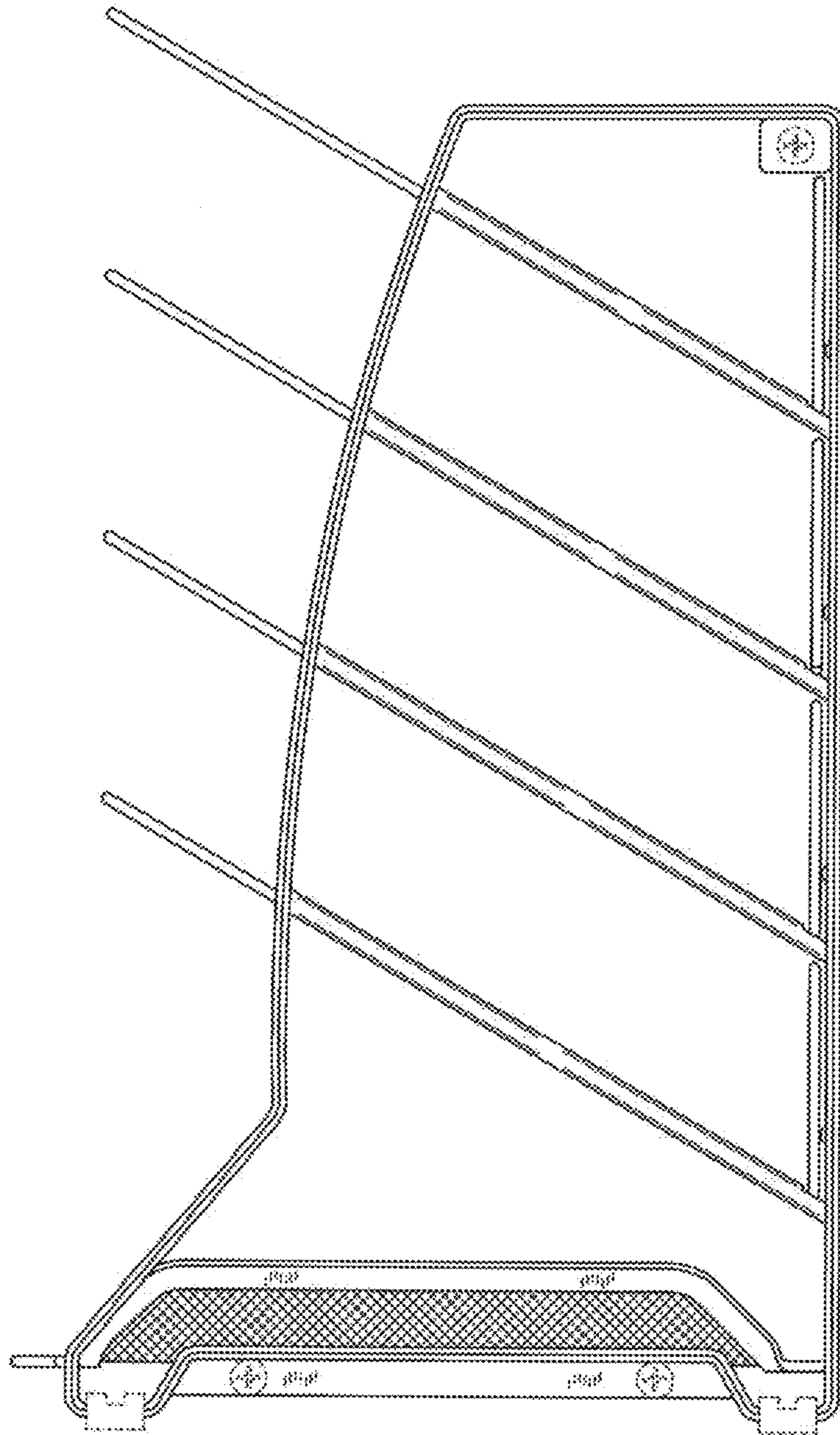


FIG. 5

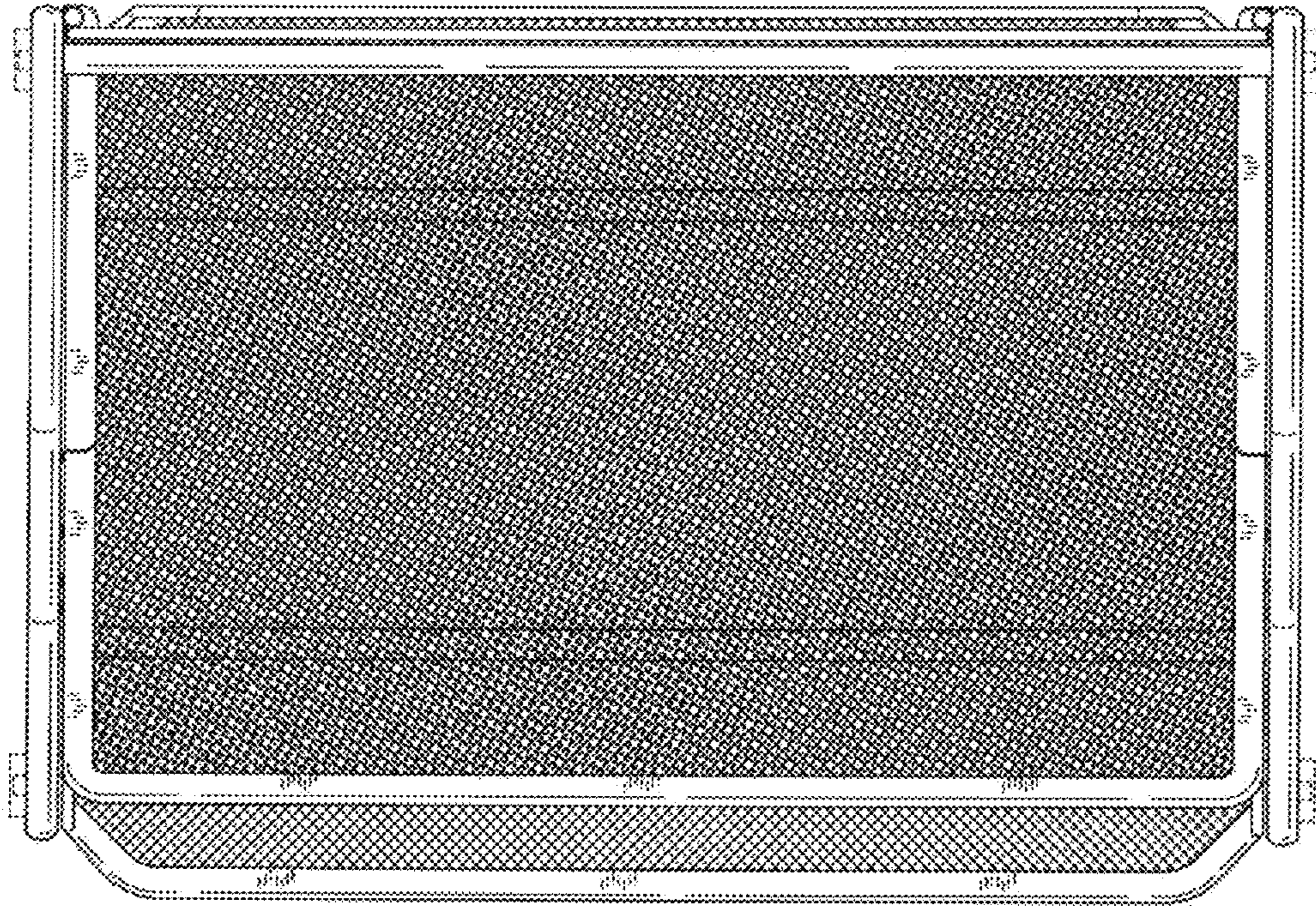


FIG. 6

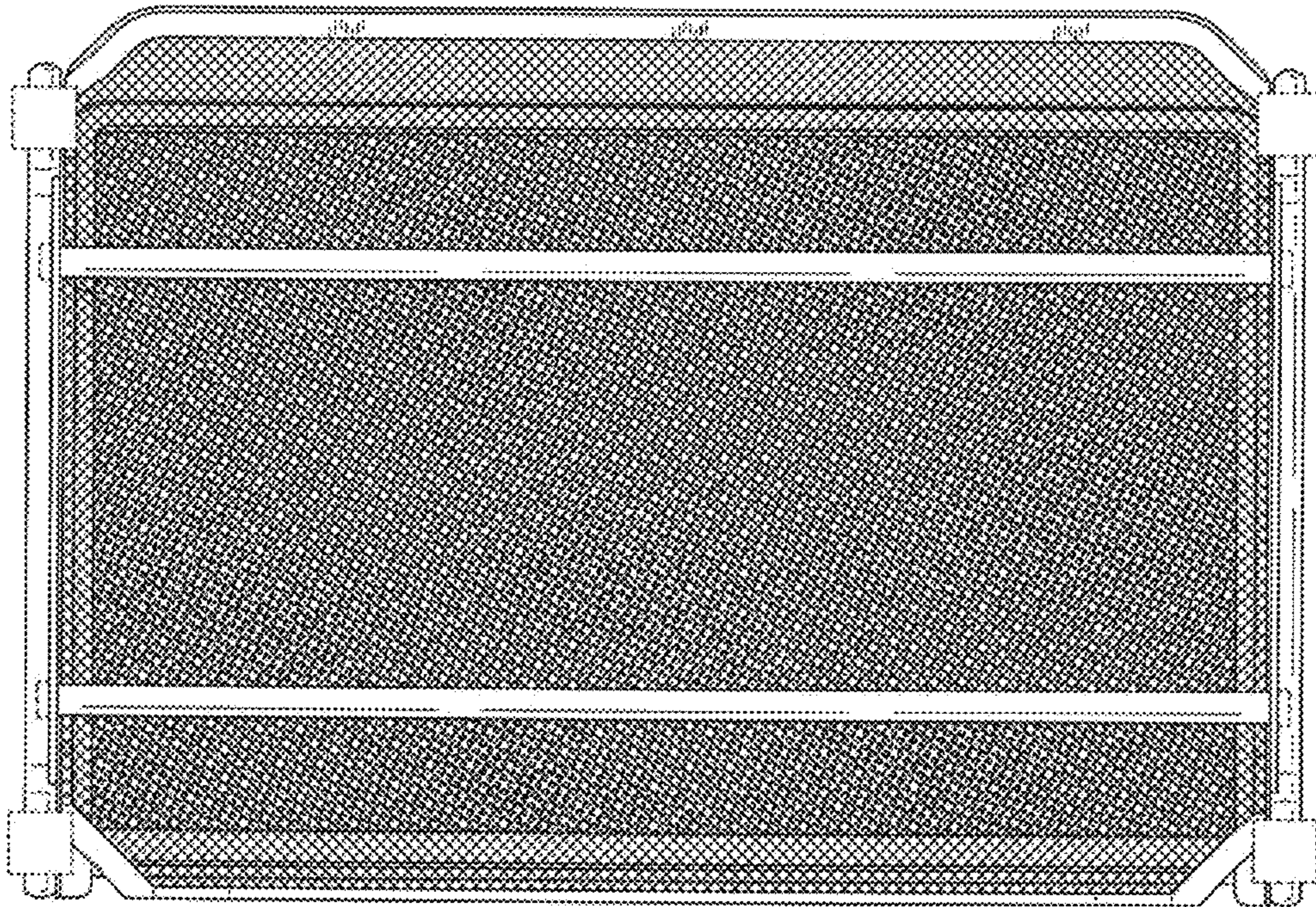


FIG. 7