



US00D756453S

(12) **United States Design Patent**
Graham

(10) **Patent No.:** **US D756,453 S**

(45) **Date of Patent:** **** May 17, 2016**

(54) **WINDOW OF A BINDER**

(71) Applicant: **R. R. Donnelley & Sons Company,**
Chicago, IL (US)

(72) Inventor: **David M. Graham,** Western Springs, IL
(US)

(73) Assignee: **R.R. DONNELLEY & SONS**
COMPANY, Chicago, IL (US)

(**) Term: **14 Years**

(21) Appl. No.: **29/449,111**

(22) Filed: **Mar. 14, 2013**

(51) **LOC (10) Cl.** **19-04**

(52) **U.S. Cl.**
USPC **D19/32**

(58) **Field of Classification Search**
USPC D19/29, 27, 28, 32, 100, 202; 281/3.1,
281/4, 15.1, 21.1, 27.1, 28, 40, 42, 44, 45,
281/51; 402/1, 3, 5, 13, 19, 26, 61, 64, 68,
402/70, 73, 80 R; 462/71, 72, 75, 76, 84
See application file for complete search history.

(56) **References Cited**

U.S. PATENT DOCUMENTS

2,846,795 A * 8/1958 Balaban 40/652
D316,108 S * 4/1991 Gerriet D19/26

(Continued)

OTHER PUBLICATIONS

Canadian Intellectual Property Office Examiner's Report, issued in connection with Canadian Patent Application No. 152910, mailed on Apr. 2, 2014, 3 pages.

(Continued)

Primary Examiner — Sheryl Lane
Assistant Examiner — Ieisha Price

(74) *Attorney, Agent, or Firm* — Hanley, Flight & Zimmerman, LLC

(57) **CLAIM**

The ornamental design for a window of a binder, as shown and described.

DESCRIPTION

FIG. 1 is an isometric outside view of a window of a binder. FIG. 2 is an isometric inside view of the window of a binder of FIG. 1.

FIG. 3 is an inside top plan view of the window of a binder of FIG. 1.

FIG. 4 is an outside top plan view of the window of a binder of FIG. 1.

FIG. 5 is a first end view of the window of a binder of FIG. 1. FIG. 6 is a second end view of the window of a binder of FIG. 1, the first end view opposite the second end view.

FIG. 7 is a first side view of the window of a binder of FIG. 1. FIG. 8 is second side view of the window of a binder of FIG. 1.

FIG. 9 is an enlarged inside top view of the window of a binder of FIG. 1, including the window insert.

FIG. 10 is an enlarged cross-sectional view of the window of a binder taken along lines 10-10 of FIG. 9, including the window insert.

FIG. 11 is an enlarged inside top view of the window of a binder of FIG. 1, excluding the window insert.

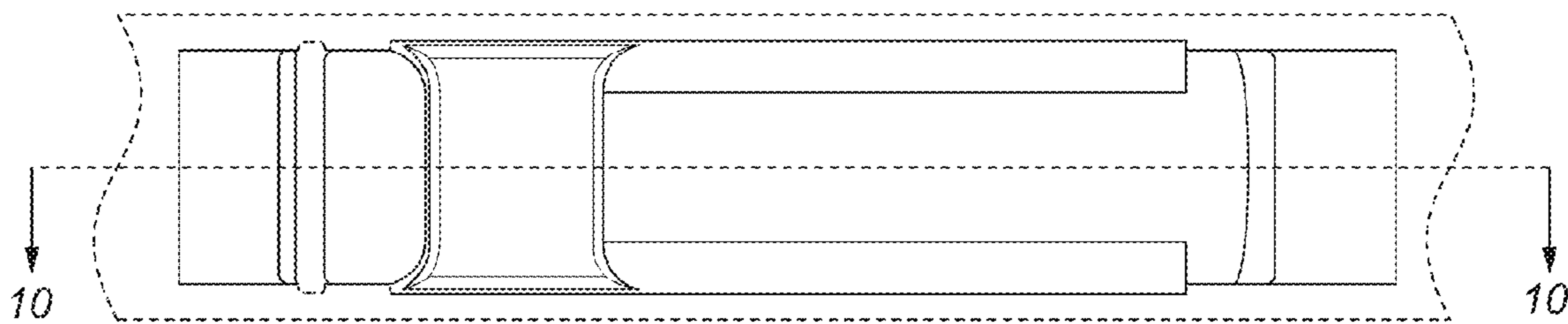
FIG. 12 is an enlarged cross-sectional view of the window of a binder taken along lines 12-12 of FIG. 11, excluding the window insert.

FIG. 13 is an isometric view of the window of a binder shown in FIG. 12; and,

FIG. 14 is an enlarged inside top plan view of the window insert of the window of a binder of FIG. 1.

The broken lines showing of the binder represents the environment of the claimed design and forms no part thereof. The broken lines in the drawings illustrate portions of the window of a binder and form no part of the claimed design.

1 Claim, 7 Drawing Sheets



(56)

References Cited

U.S. PATENT DOCUMENTS

D354,768	S *	1/1995	Muller et al.	D19/27
D412,530	S	8/1999	Bould		
5,971,650	A *	10/1999	Dottel	402/73
6,196,591	B1 *	3/2001	Lieth	281/37
D504,463	S *	4/2005	Wehmeyer	D19/26
D565,099	S *	3/2008	Petrie et al.	D19/32
7,399,136	B2 *	7/2008	Petrie et al.	402/73
7,717,639	B2 *	5/2010	Zins et al.	402/73
2001/0009631	A1 *	7/2001	Brown et al.	402/26
2005/0058502	A1 *	3/2005	Ben-Or	402/70
2005/0105960	A1 *	5/2005	Wehmeyer	402/73

2007/0160417	A1 *	7/2007	Petrie et al.	402/73
2008/0089737	A1 *	4/2008	Zins et al.	402/73
2012/0294669	A1 *	11/2012	Wrigley	402/31

OTHER PUBLICATIONS

Canadian Intellectual Property Office, "Examiner's Report," issued in connection with Canadian Patent Application No. 152910, issued on Sep. 3, 2014, 2 pages.

Canadian Intellectual Property Office, "Examiner's Report," issued in connection with Canadian Patent Application No. 157884, issued on Sep. 3, 2014, 1 page.

* cited by examiner

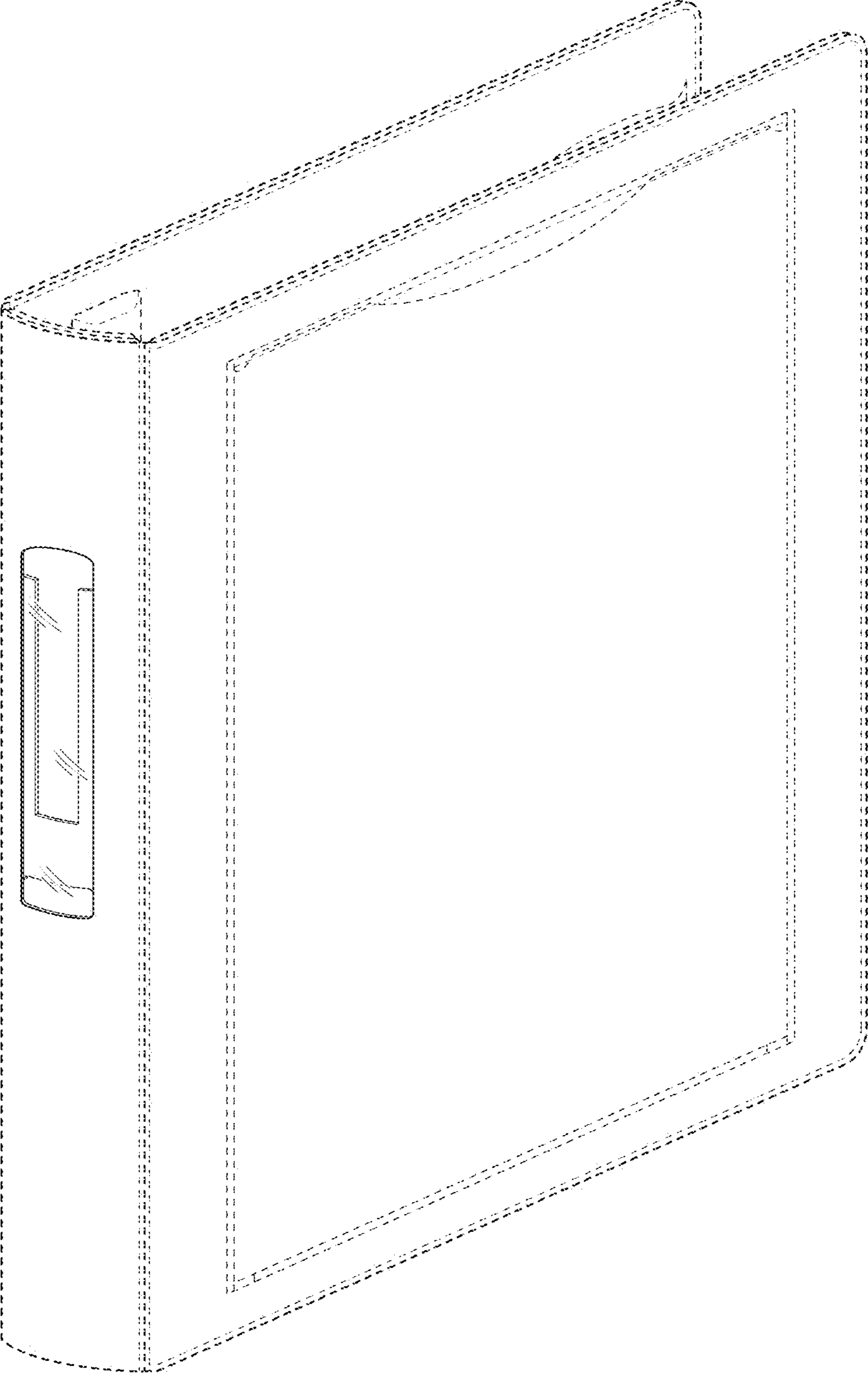


FIG. 1

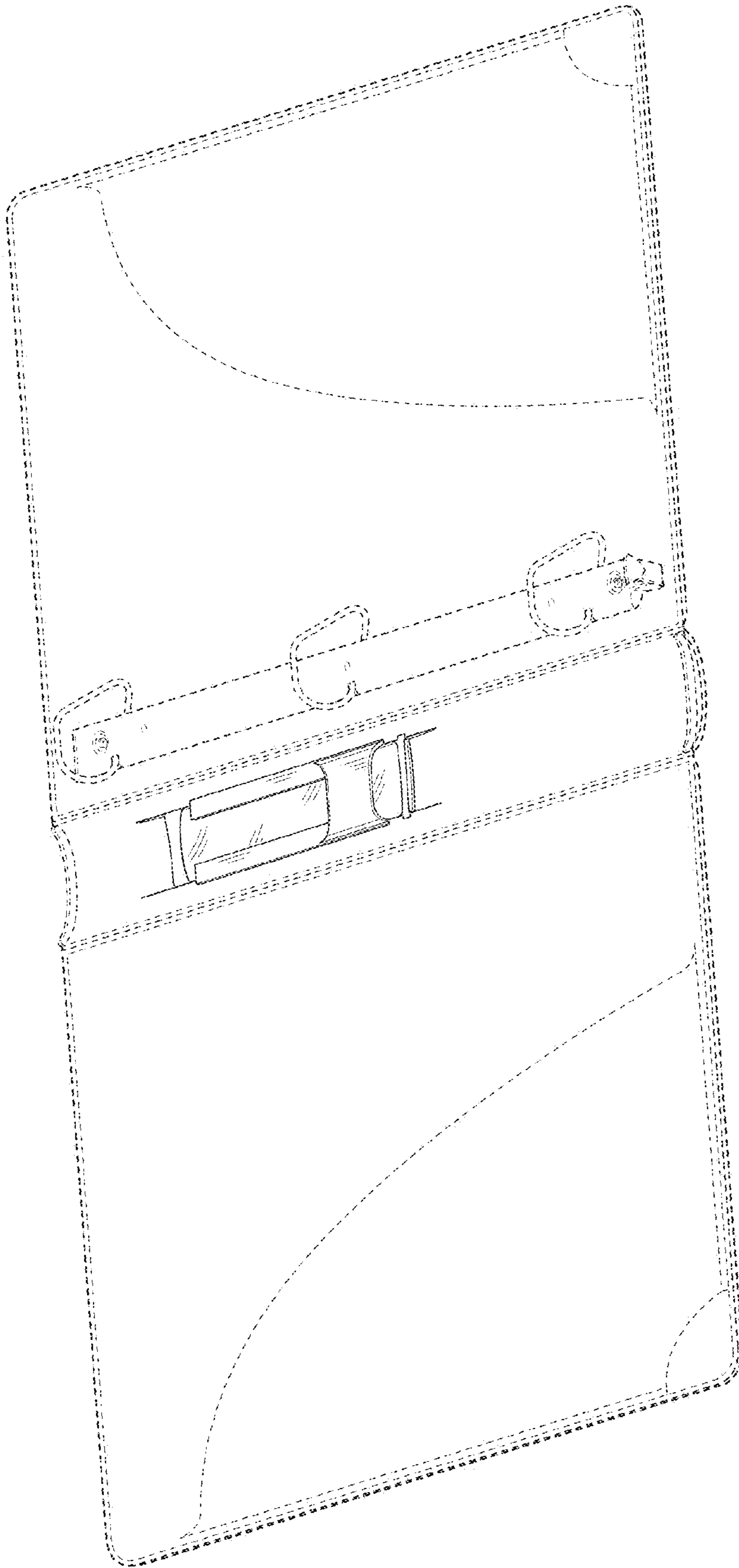


FIG. 2

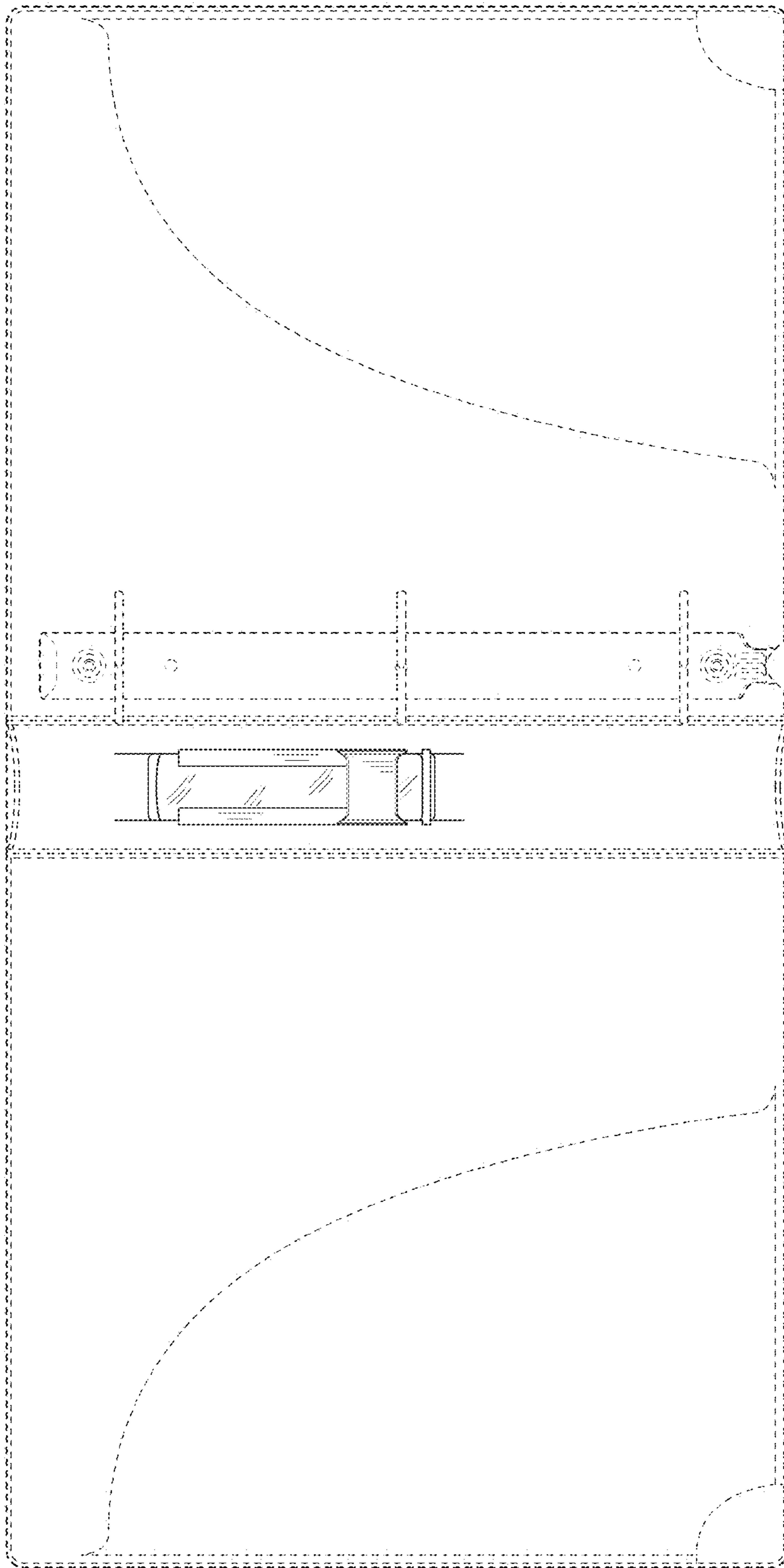


FIG. 3

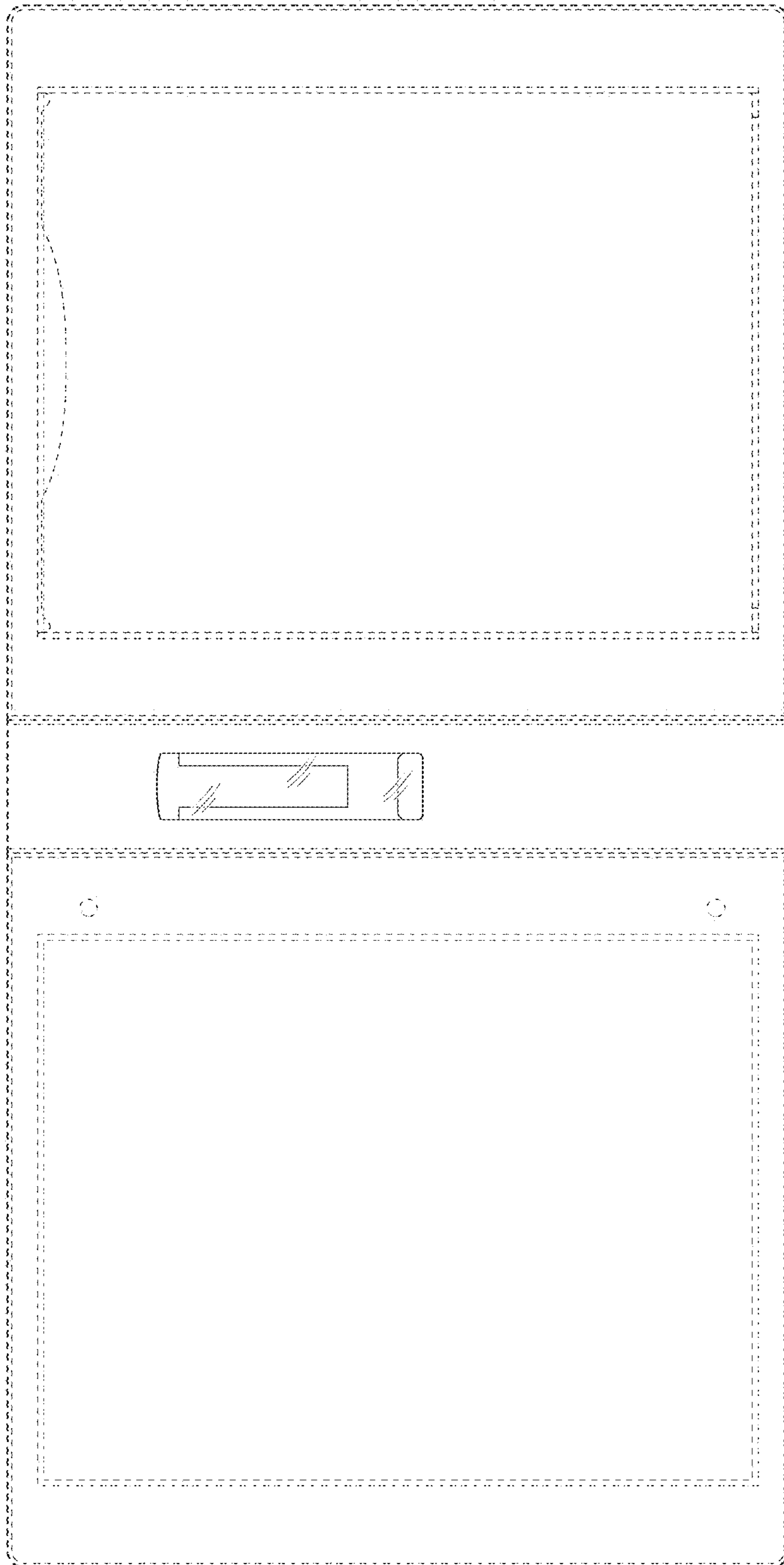


FIG. 4



FIG. 5



FIG. 6

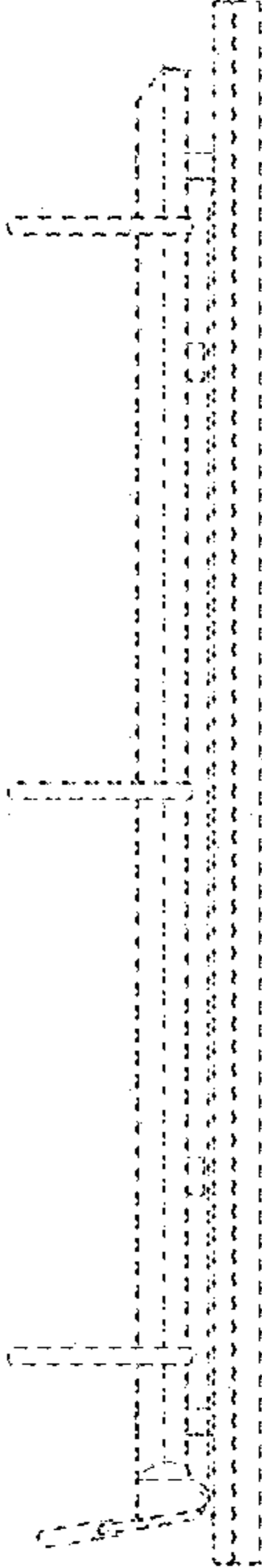


FIG. 7

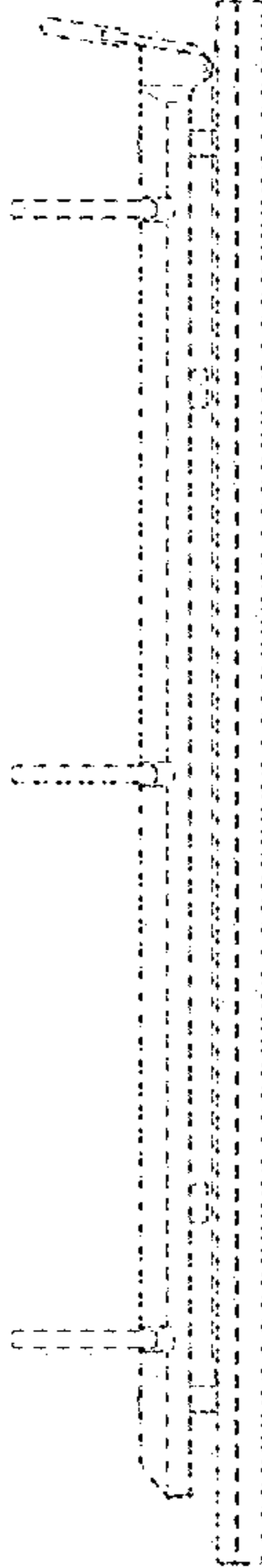


FIG. 8

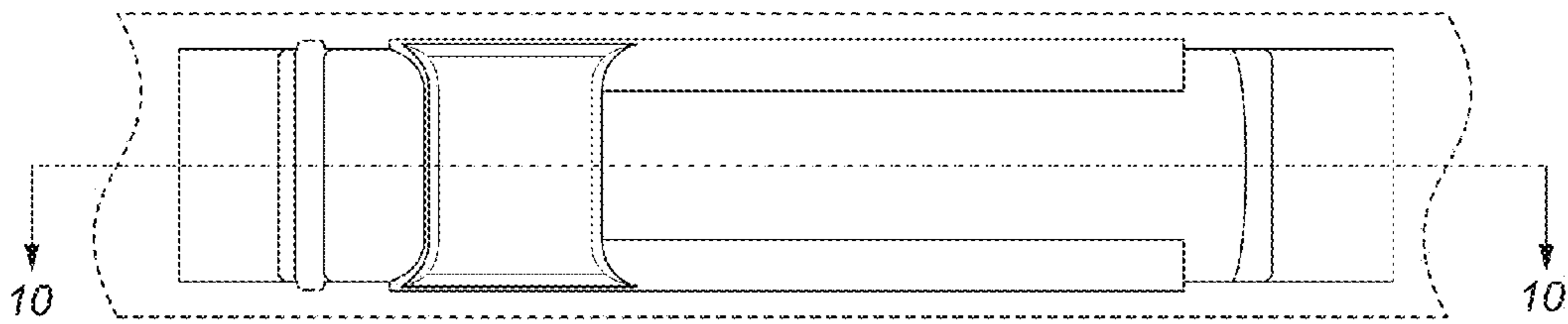


FIG. 9

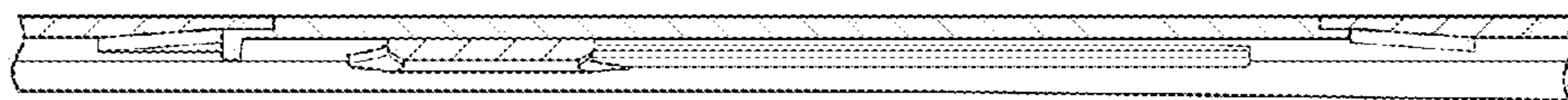


FIG. 10

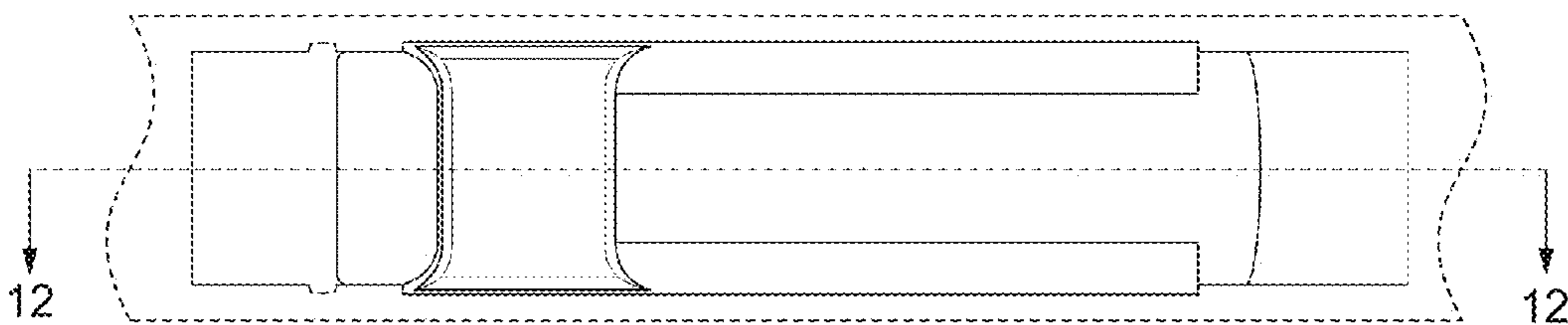


FIG. 11

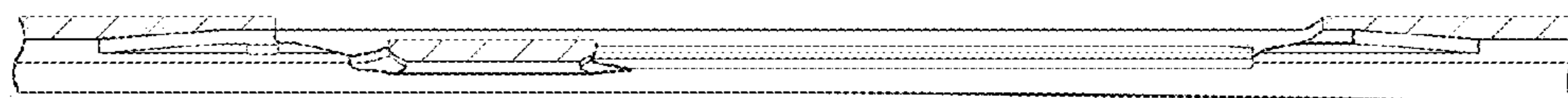


FIG. 12

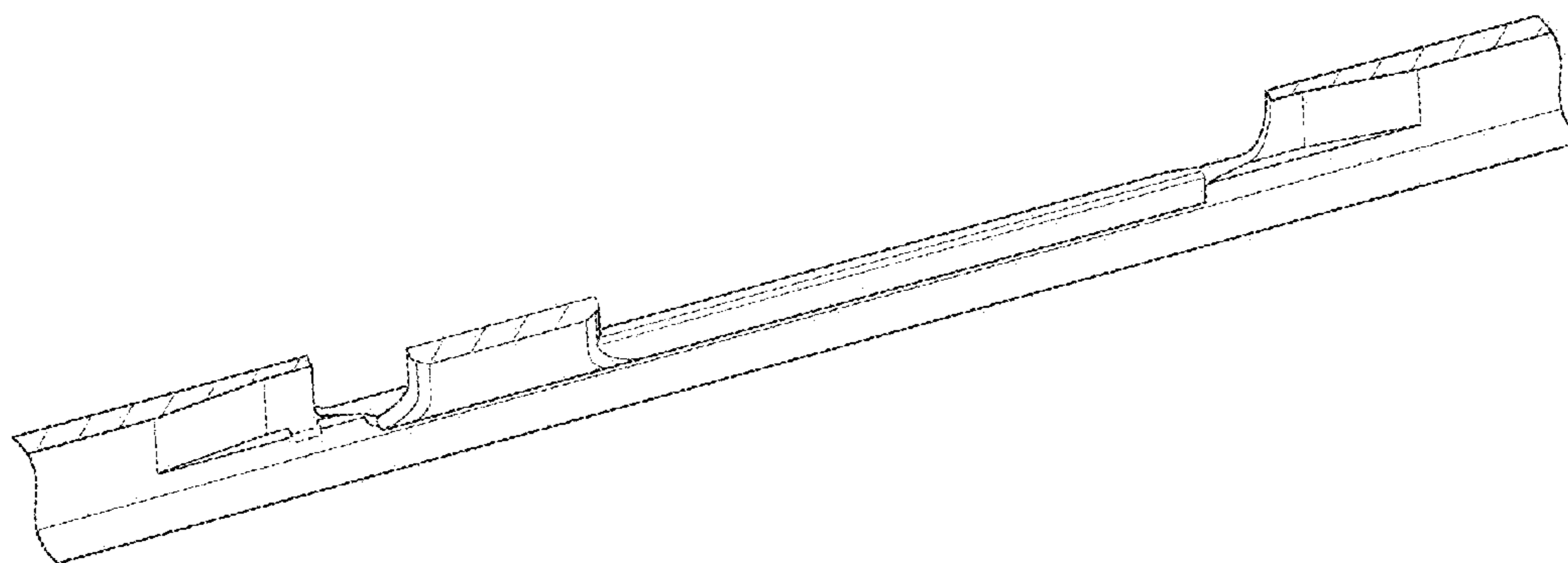


FIG. 13

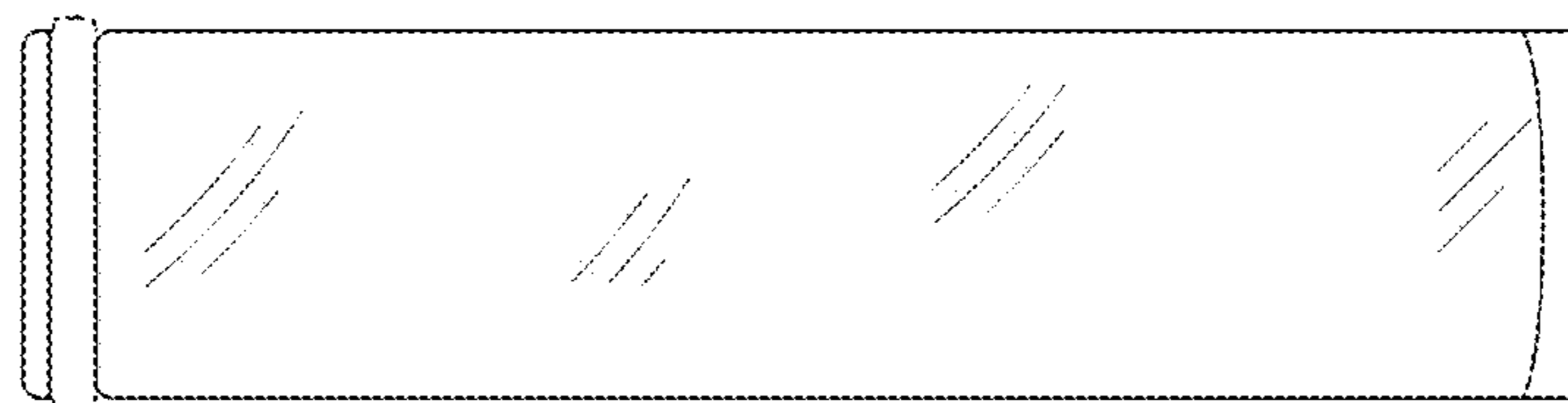


FIG. 14