



US00D756451S

(12) **United States Design Patent**
Hoshino

(10) **Patent No.:** **US D756,451 S**

(45) **Date of Patent:** **** May 17, 2016**

(54) **DRUM**

(71) Applicant: **HOSHINO GAKKI CO., LTD.**,
Nagoya, Aichi (JP)

(72) Inventor: **Yoshihiro Hoshino**, Nagoya (JP)

(73) Assignee: **HOSHINO GAKKI CO., LTD.**, Aichi
(JP)

(**) Term: **14 Years**

(21) Appl. No.: **29/525,664**

(22) Filed: **May 1, 2015**

(30) **Foreign Application Priority Data**

Nov. 6, 2014 (JP) 2014-024735

(51) **LOC (10) Cl.** **17-04**

(52) **U.S. Cl.**
USPC **D17/22**

(58) **Field of Classification Search**
USPC D17/14, 19, 20, 22, 99; D21/405;
84/411 R, 418, 420, 411 P
See application file for complete search history.

(56) **References Cited**

U.S. PATENT DOCUMENTS

416,327 A *	12/1889	Durkee	G10D 13/023 84/411 R
881,109 A *	3/1908	Converse	G10D 13/028 84/411 R
888,312 A *	5/1908	Cipar	G10D 13/027 84/414
D266,525 S *	10/1982	Kelly	D17/22
D308,983 S *	7/1990	Bonsor	D17/22
D665,839 S *	8/2012	Chan	D17/22
2004/0139839 A1 *	7/2004	Chiang	G10D 13/027 84/411
2004/0261603 A1 *	12/2004	May	G10D 13/028 84/411 R
2009/0038464 A1 *	2/2009	Chen	G10D 13/023 84/411 R

OTHER PUBLICATIONS

On2 Percussion. http://www.on2percussion.com/product_p/tb-cg-greenrainfade.htm. Date Unknown: Copyright 2015. "Tama Marching Bass Drum Slips—Green Grain Fade".*
ebay. <http://www.ebay.com/itm/Pacific-PDP-by-DW-LX-22-x18-8ply-Maple-Kick-Bass-Drum-Aqua-Blue-Fade-/201482677532>.
Date Unknown: Viewed Dec. 29, 2015. "Pacific / PDP by DW—LX 22"x18" 8ply Maple Kick Bass Drum Aqua Blue Fade".*
Japanese Office Action in Japanese design application No. 2014-024735, published by the Japanese Patent Office, dated Jan. 29, 2016. Web page showing Gretsch drum set. Model: Catalina Ash CA1-E825-BNB. Published by Amazon on Amazon.com; Date of publication: Jan. 23, 2014.

* cited by examiner

Primary Examiner — Rashida Johnson

(57) **CLAIM**

The ornamental design for a drum, as shown and described.

DESCRIPTION

The patent contains at least one drawing executed in color. Copies of this patent with color drawings will be provided by the Office upon request and payment of the necessary fee.

FIG. 1 is a front, top, and right side perspective view of a drum showing my new design;

FIG. 2 is a front, bottom, and left side perspective view thereof;

FIG. 3 is a front view thereof;

FIG. 4 is a rear view thereof;

FIG. 5 is a top plan view thereof;

FIG. 6 is a bottom plan view thereof;

FIG. 7 is a right side view thereof; and,

FIG. 8 is a left side view thereof.

The features shown in broken lines in the drawings depict environmental subject matter only and form no part of the claimed design. The dash-dotted lines denote the boundary of the claim and form no part of the claimed design.

1 Claim, 8 Drawing Sheets
(6 of 8 Drawing Sheet(s) Filed in Color)

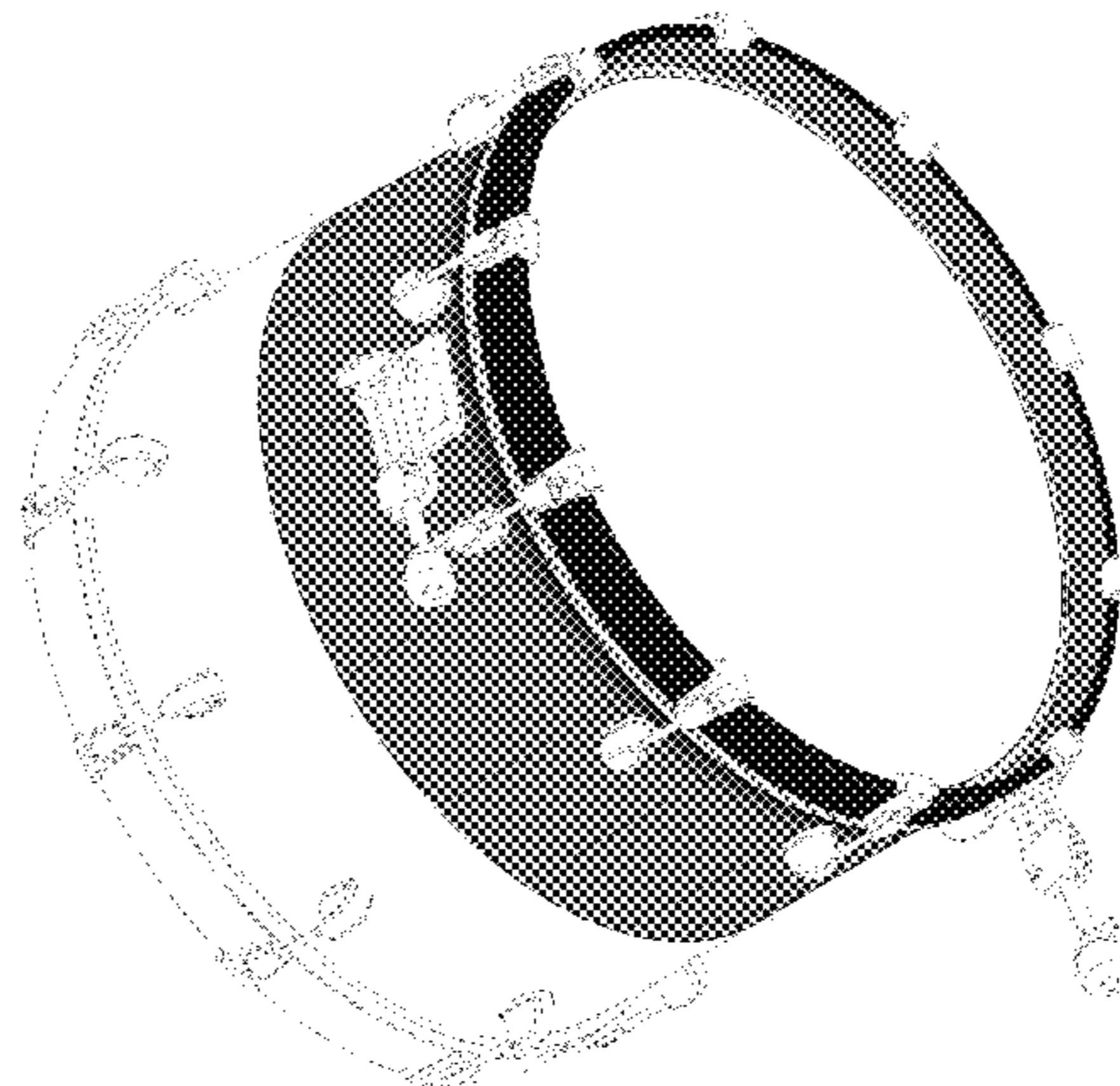
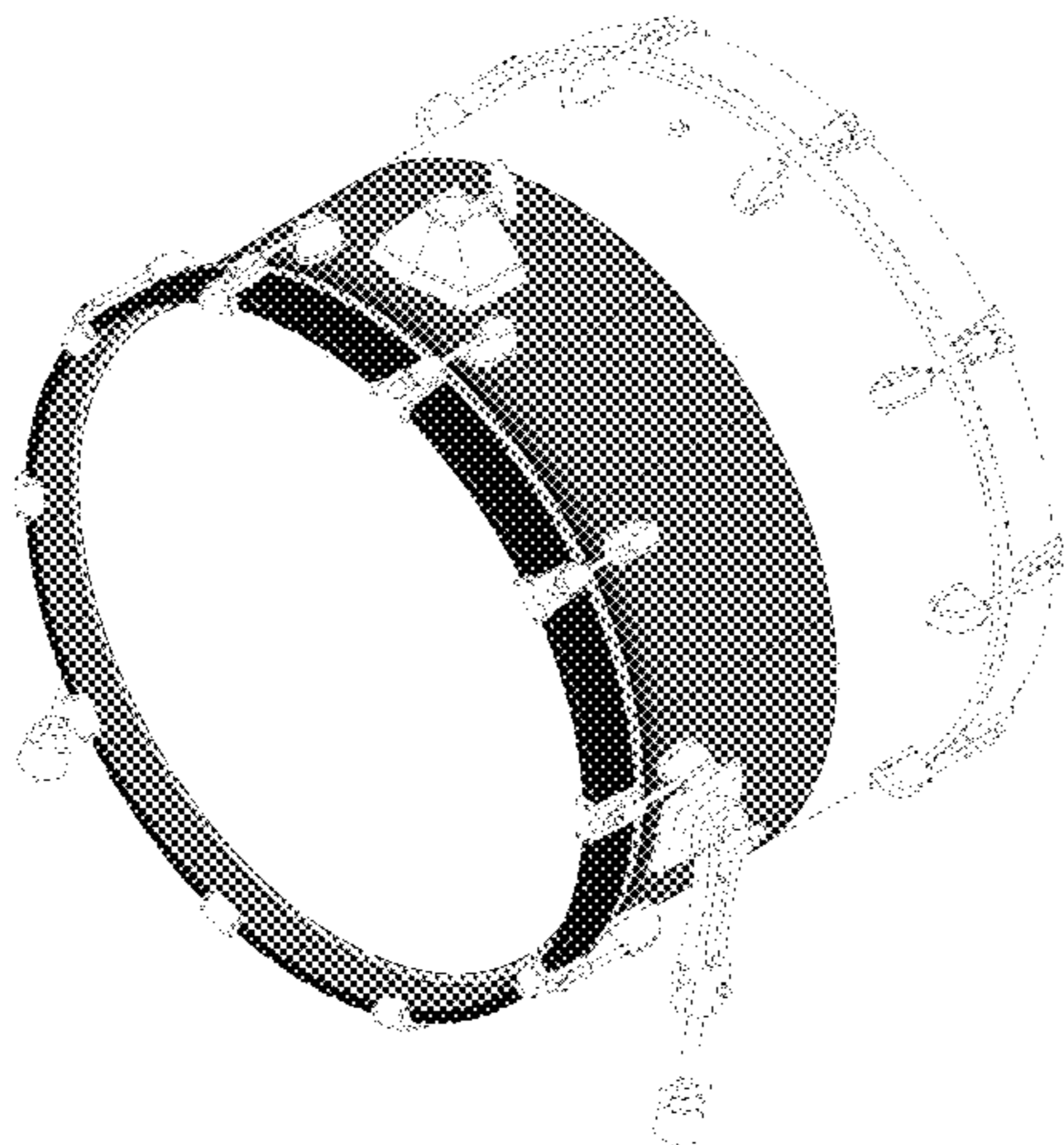


FIG. 1

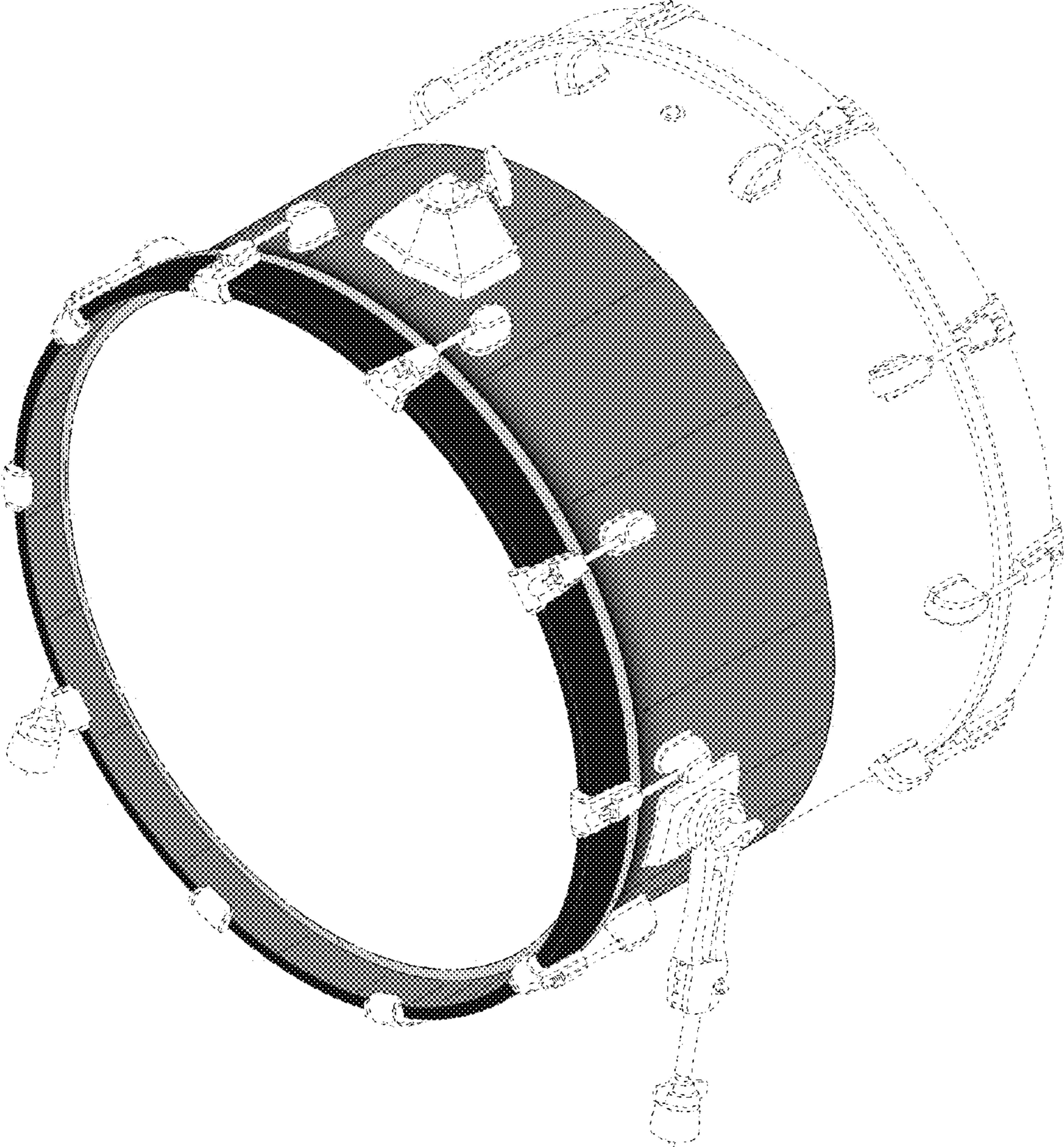


FIG. 2

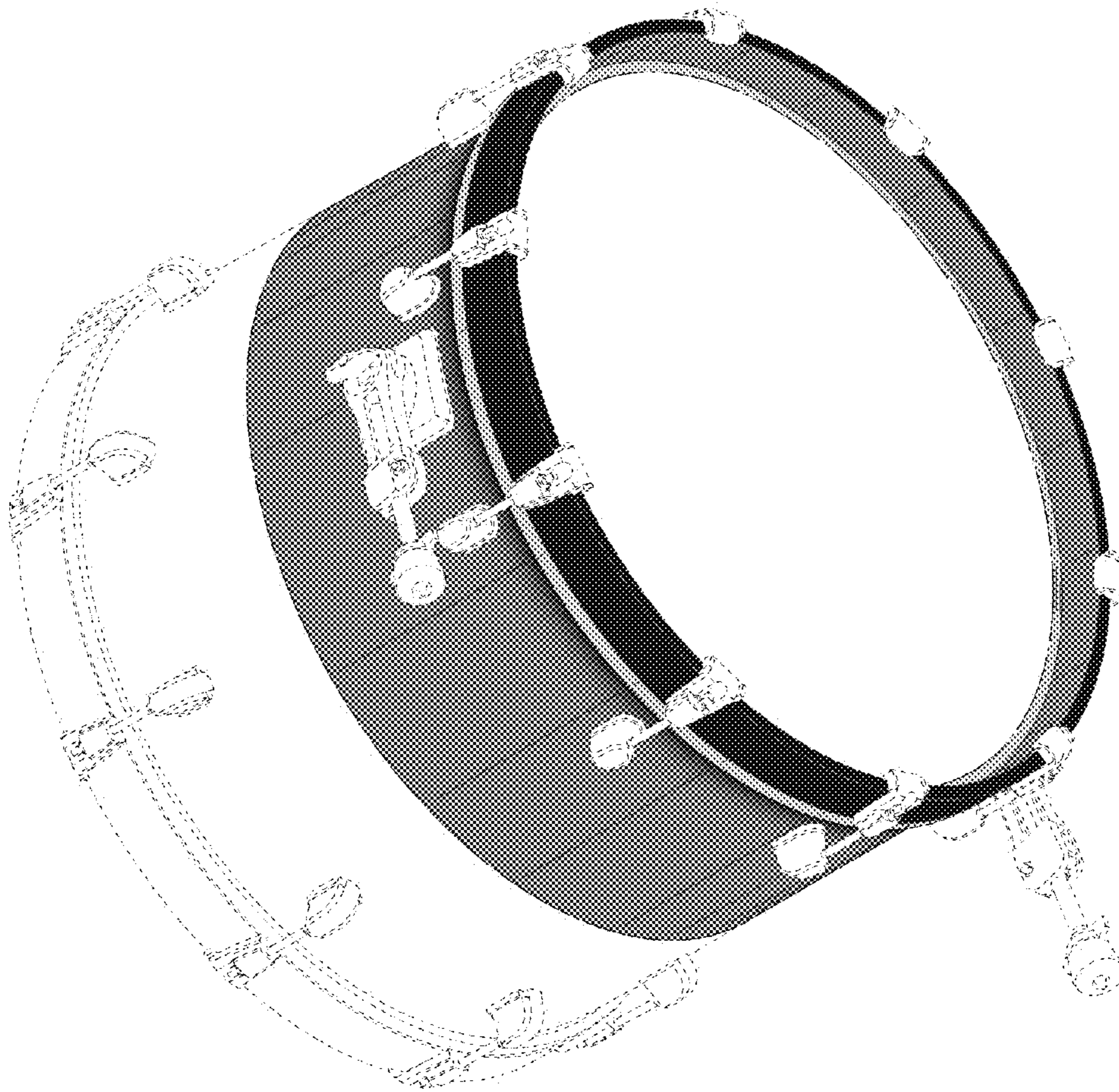


FIG. 3

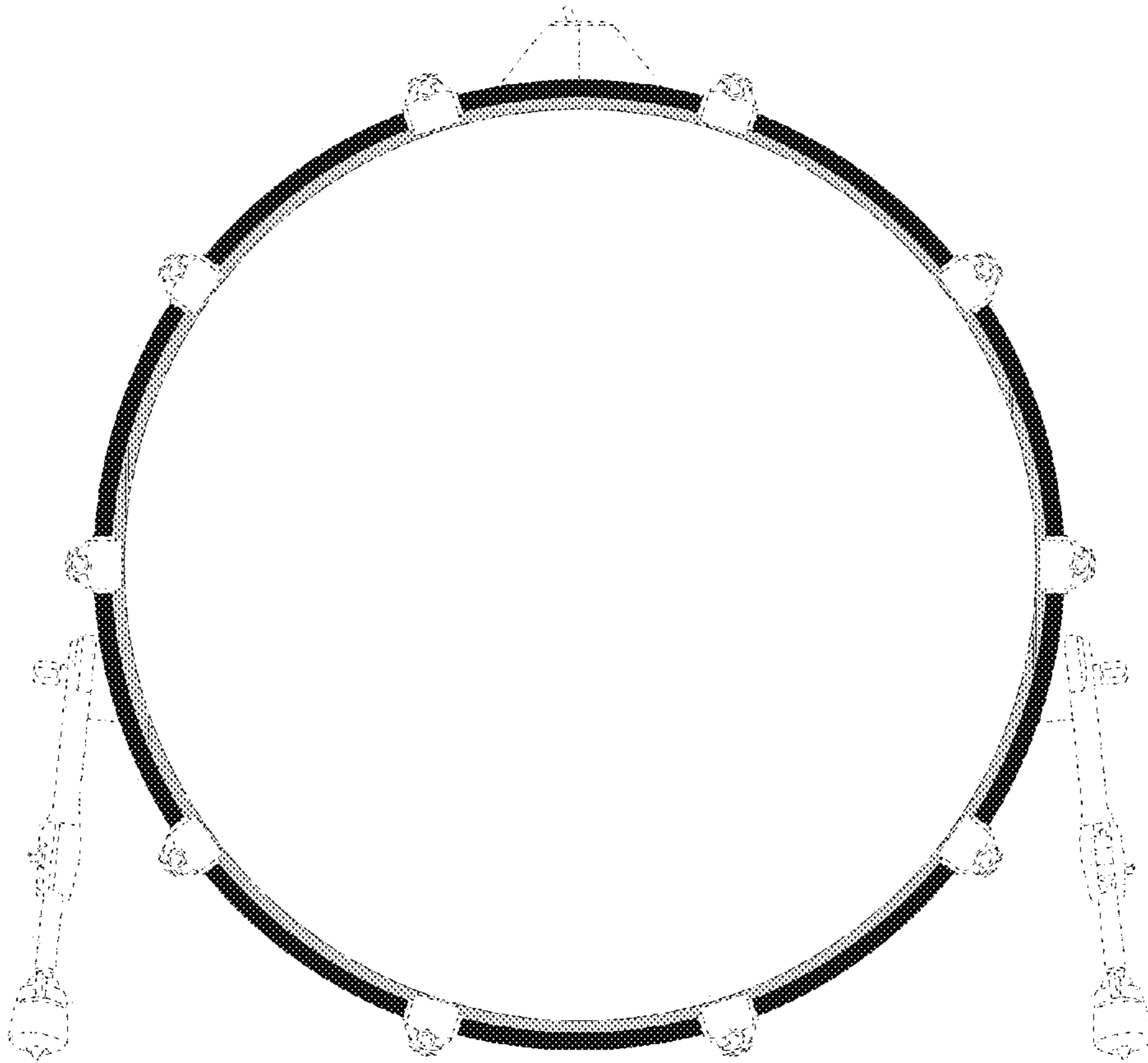


FIG. 4

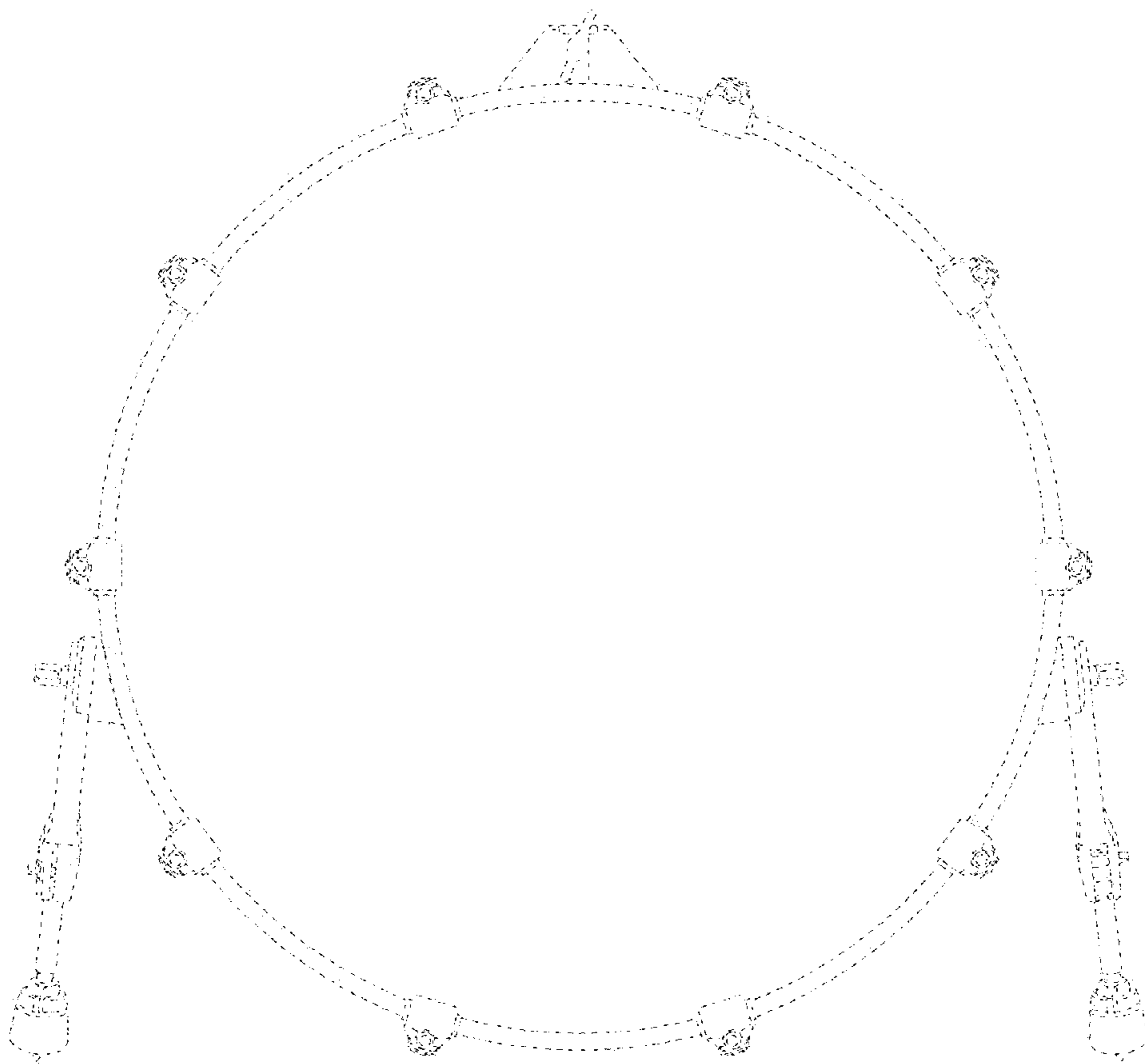


FIG. 5

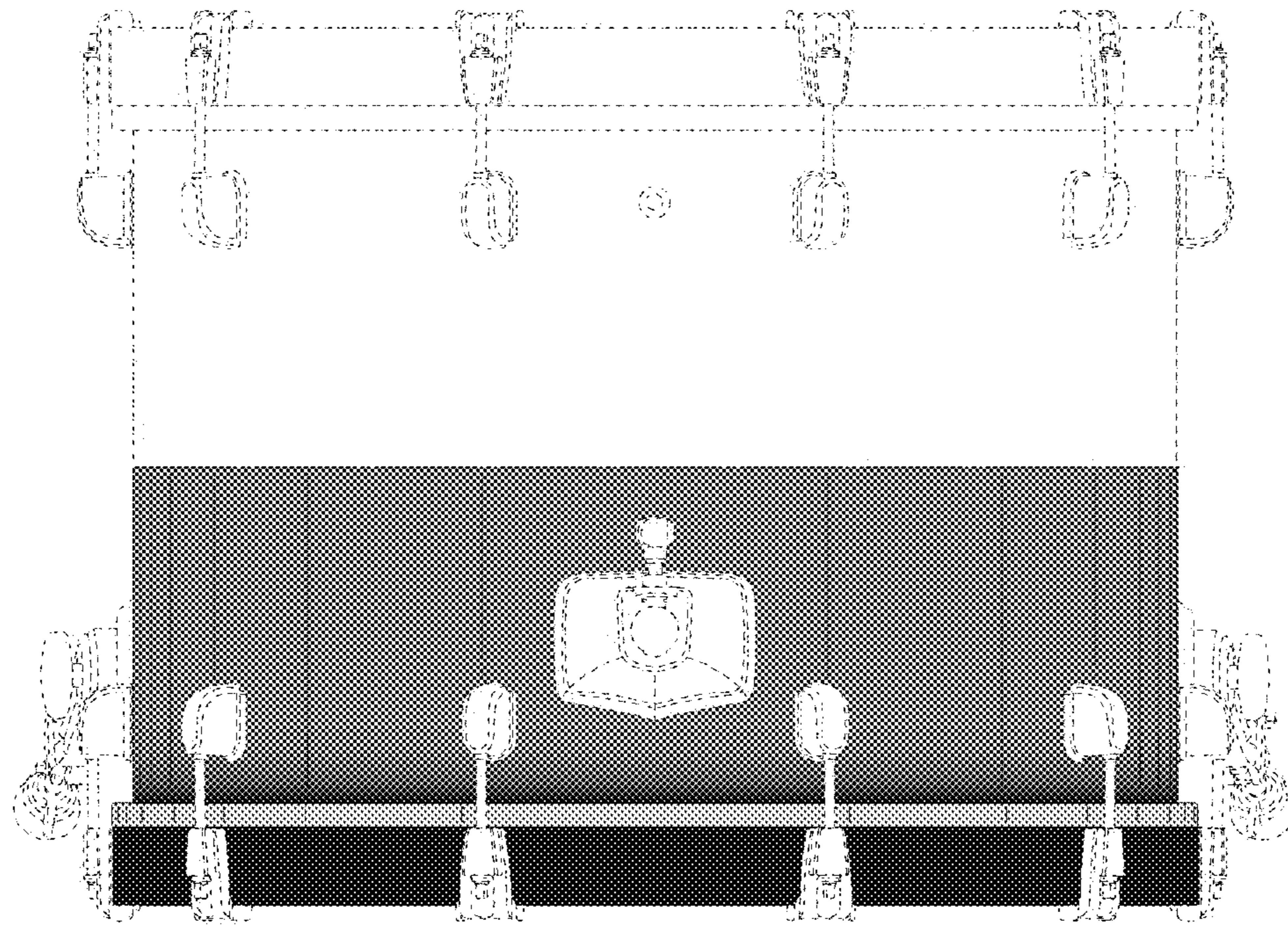


FIG. 6

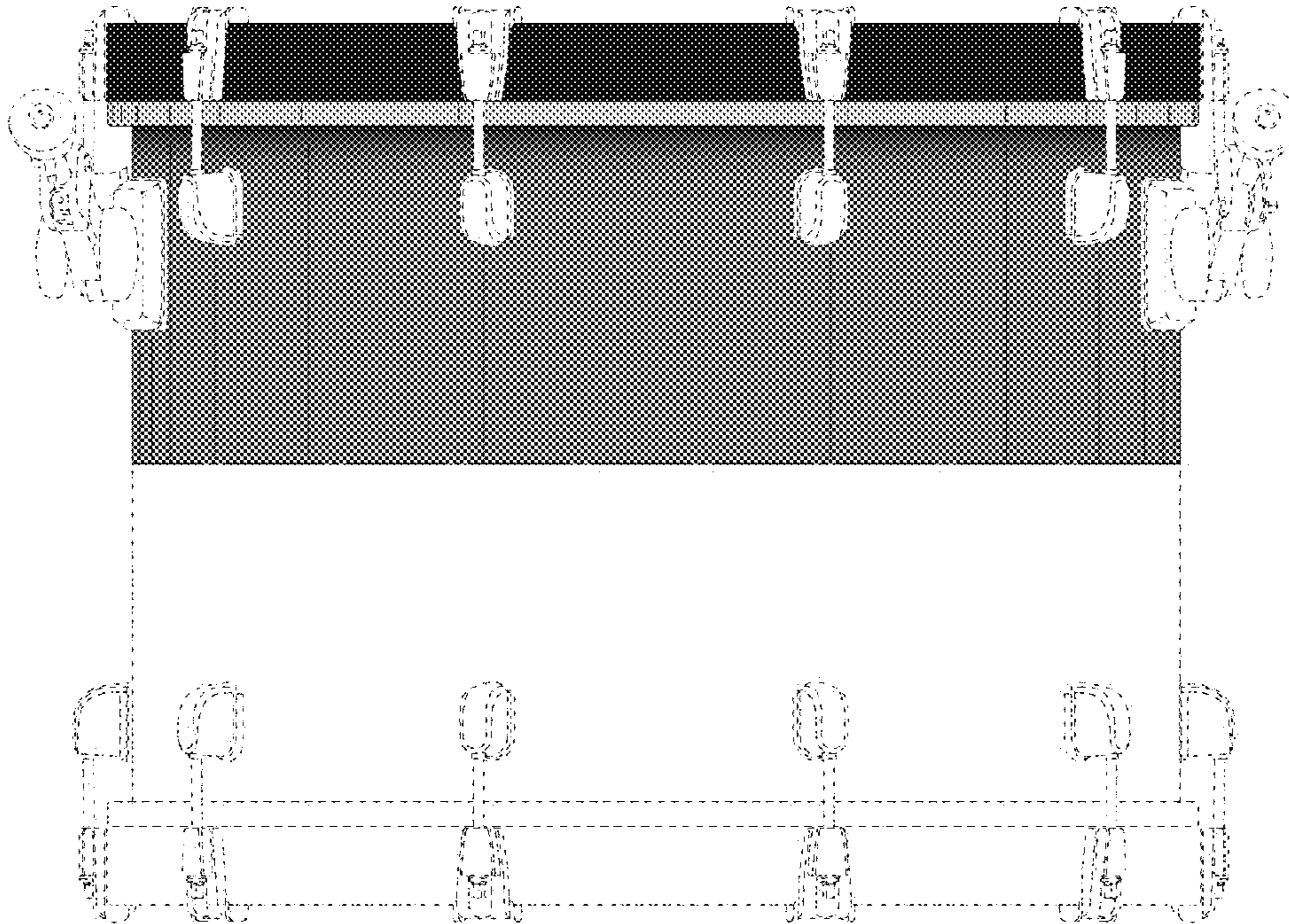


FIG. 7

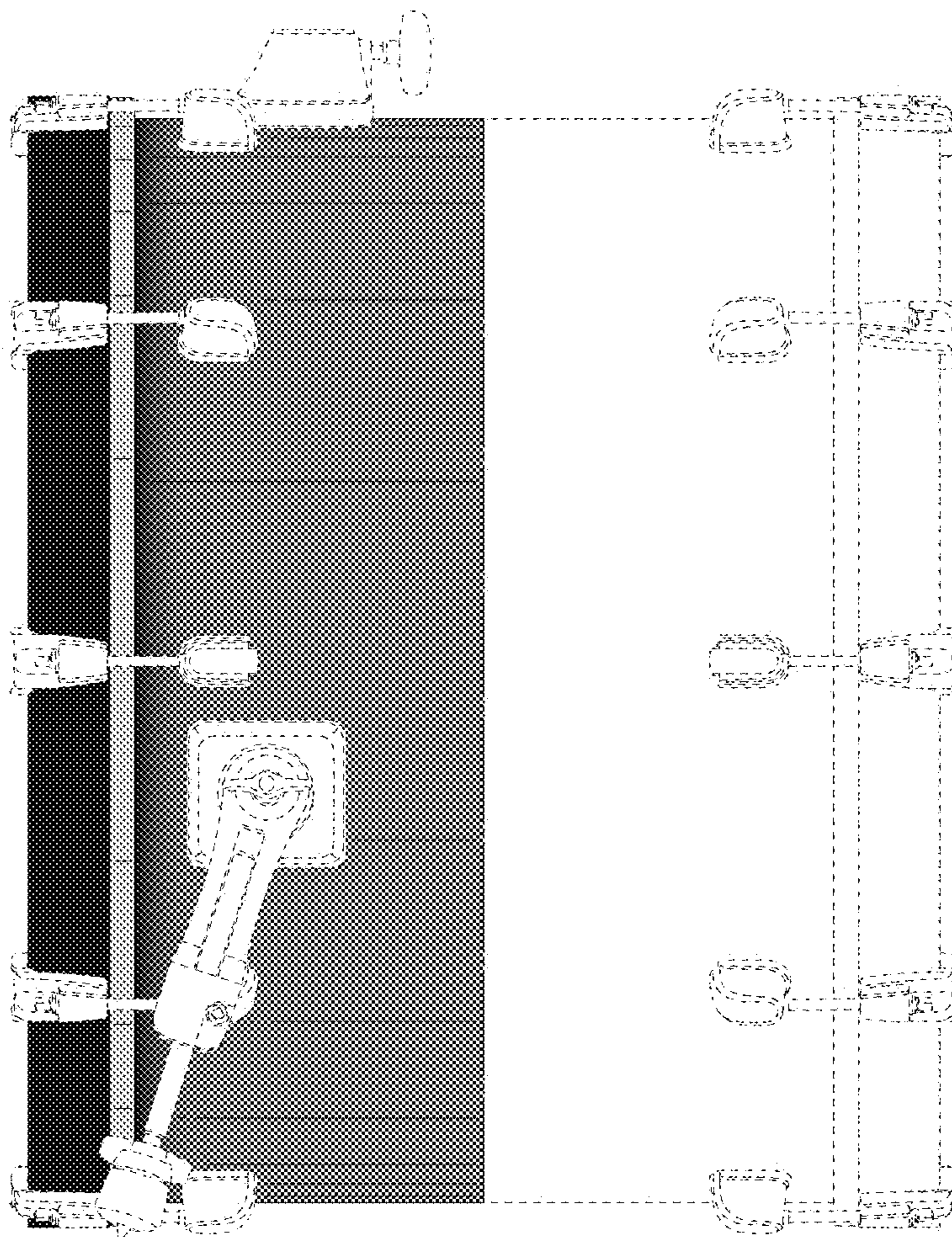


FIG. 8

