



US00D756445S

(12) **United States Design Patent**
Blanchard et al.

(10) **Patent No.:** **US D756,445 S**

(45) **Date of Patent:** **** May 17, 2016**

(54) **ADAPTOR FOR GOGGLES**

(71) Applicant: **100% SPEEDLAB, LLC**, San Diego, CA (US)

(72) Inventors: **Marc Guy Blanchard**, San Diego, CA (US); **Ludovic Francis Boinnard**, San Diego, CA (US); **Kevin Michael Sigismondo**, San Diego, CA (US); **Jonathan Knight**, Lisburn (IE)

(73) Assignee: **100% SPEEDLAB, LLC**, San Diego, CA (US)

(**) Term: **14 Years**

(21) Appl. No.: **29/490,753**

(22) Filed: **May 13, 2014**

(51) **LOC (10) Cl.** **16-06**

(52) **U.S. Cl.**
USPC **D16/312**

(58) **Field of Classification Search**
USPC D16/300, 306, 309, 311, 313-342, 900, D16/101, 312; D29/108-110; 2/426, 2/428-431, 432, 436, 438-439, 441, 443, 2/444, 447
CPC A61F 9/026; A61F 9/025; G02C 11/08; G02C 2200/08; A44B 11/04; A63B 33/002
See application file for complete search history.

(56) **References Cited**

U.S. PATENT DOCUMENTS

D273,819 S * 5/1984 Yehl D16/312
5,617,588 A * 4/1997 Canavan G02C 11/08
2/428
D523,889 S * 6/2006 Chen D16/312
D524,352 S * 7/2006 Hsu D16/312
7,343,631 B2 * 3/2008 Lin A61F 9/026
2/448

7,810,174 B2 * 10/2010 Matera A61F 9/025
2/441
D727,398 S * 4/2015 Blanchard D16/312
2011/0083256 A1 * 4/2011 Wang-Lee A61F 9/025
2/434
2012/0291186 A1 * 11/2012 Cheng A61F 9/025
2/431
2014/0115761 A1 * 5/2014 McNeal A61F 9/026
2/439
2015/0202086 A1 * 7/2015 Tzu-Feng A61F 9/025
2/439
2015/0272784 A1 * 10/2015 Padovani A61F 9/029
2/436
2015/0320600 A1 * 11/2015 Blanchard A61F 9/025
2/431

* cited by examiner

Primary Examiner — Wan Laymon

(74) *Attorney, Agent, or Firm* — Haynes and Boone, LLP

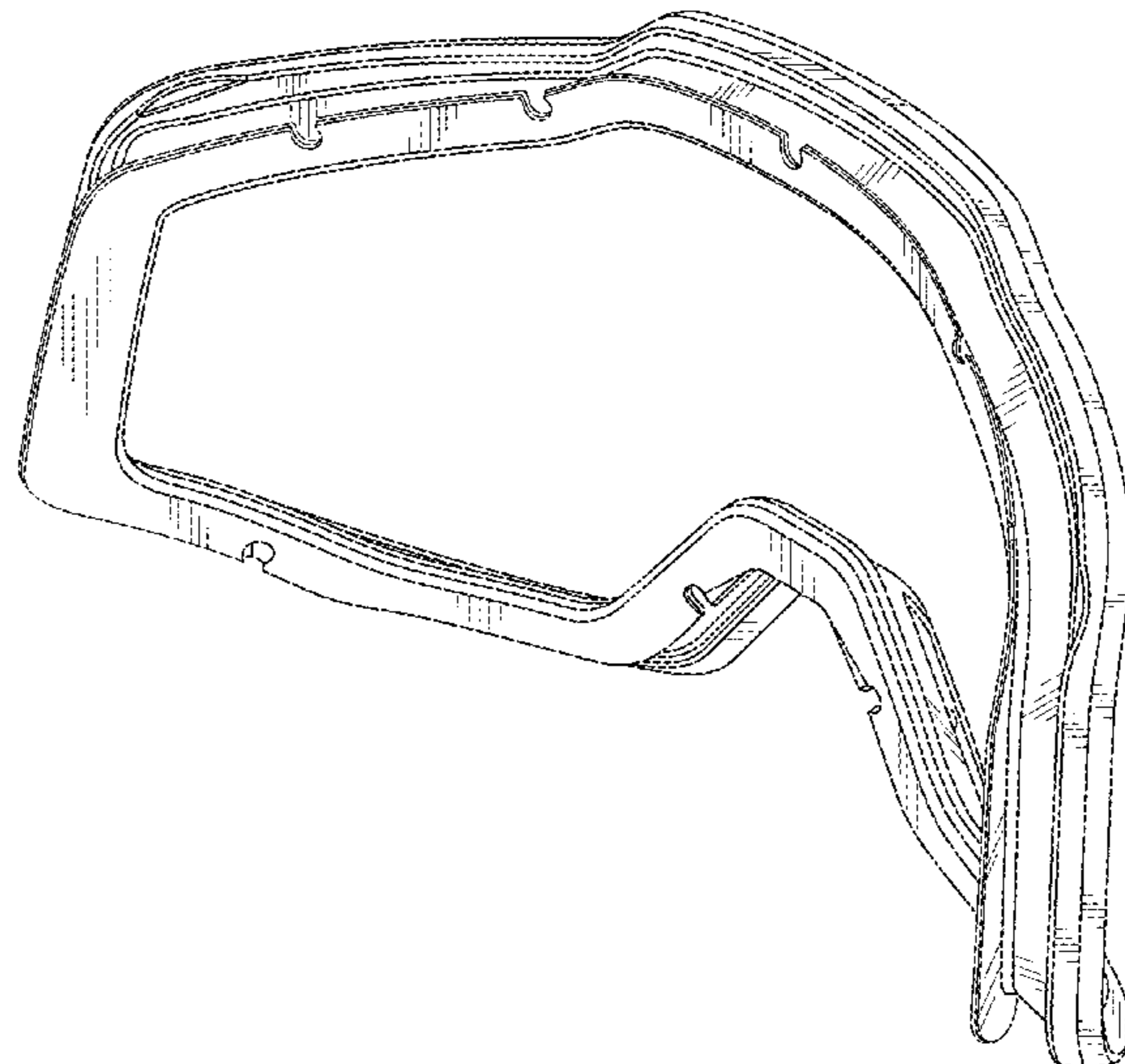
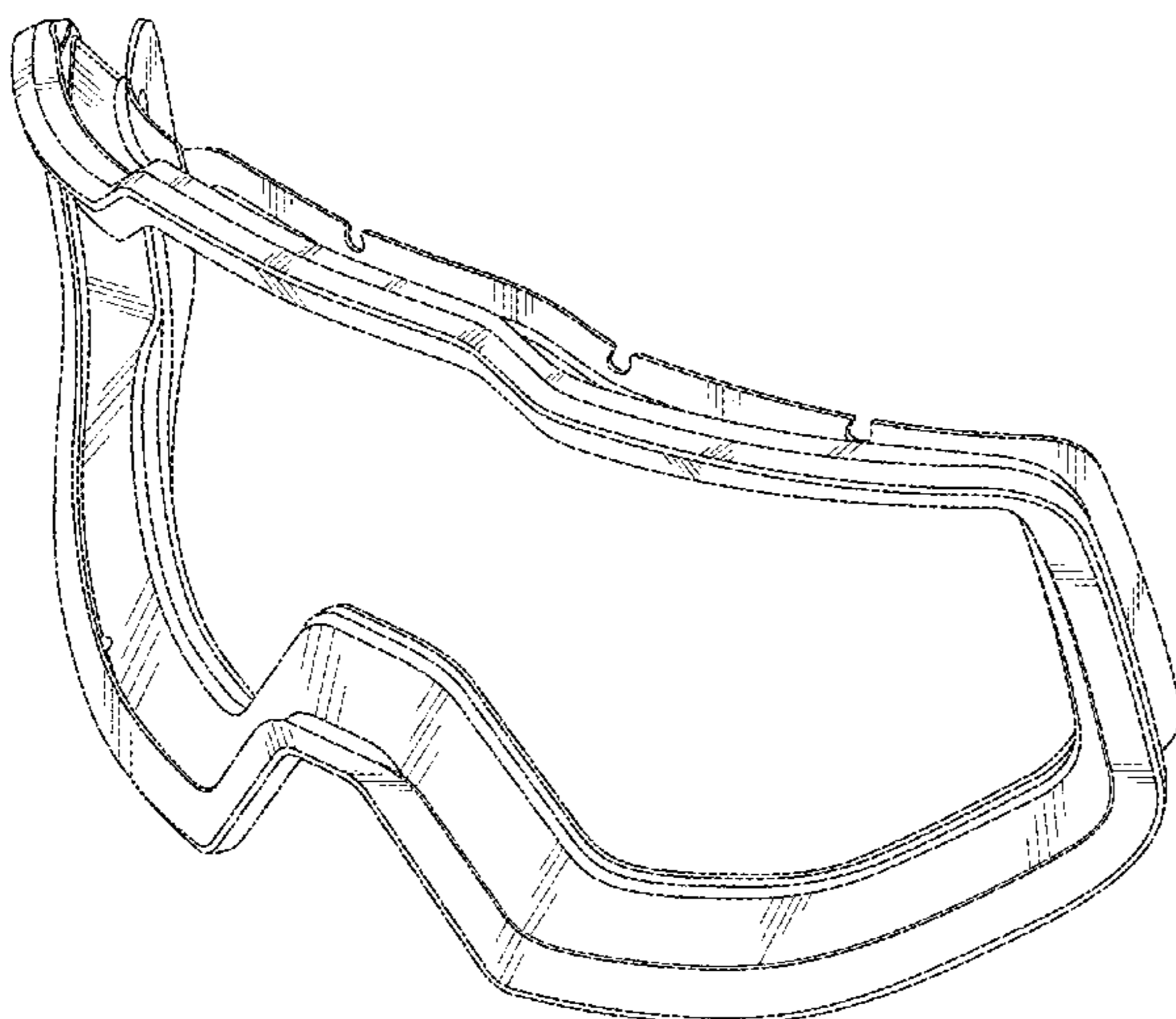
(57) **CLAIM**

The ornamental design for an adapter for goggles, as shown and described.

DESCRIPTION

FIG. 1 is a front perspective view of an adaptor for goggles showing our new design;
FIG. 2 is a rear perspective view thereof;
FIG. 3 is a rear side elevational view thereof;
FIG. 4 is a front side elevational view thereof;
FIG. 5 is a top plan view thereof;
FIG. 6 is a bottom plan view thereof;
FIG. 7 is a right side elevational view thereof; and,
FIG. 8 is a left side elevational view thereof;
FIG. 9 is a front perspective view of the adaptor for goggles attached to a goggle assembly implemented with a roll off film system; and,
FIG. 10 is a rear perspective view thereof.
The broken lines in the drawings illustrate environmental features and form no part of the claimed design.

1 Claim, 10 Drawing Sheets



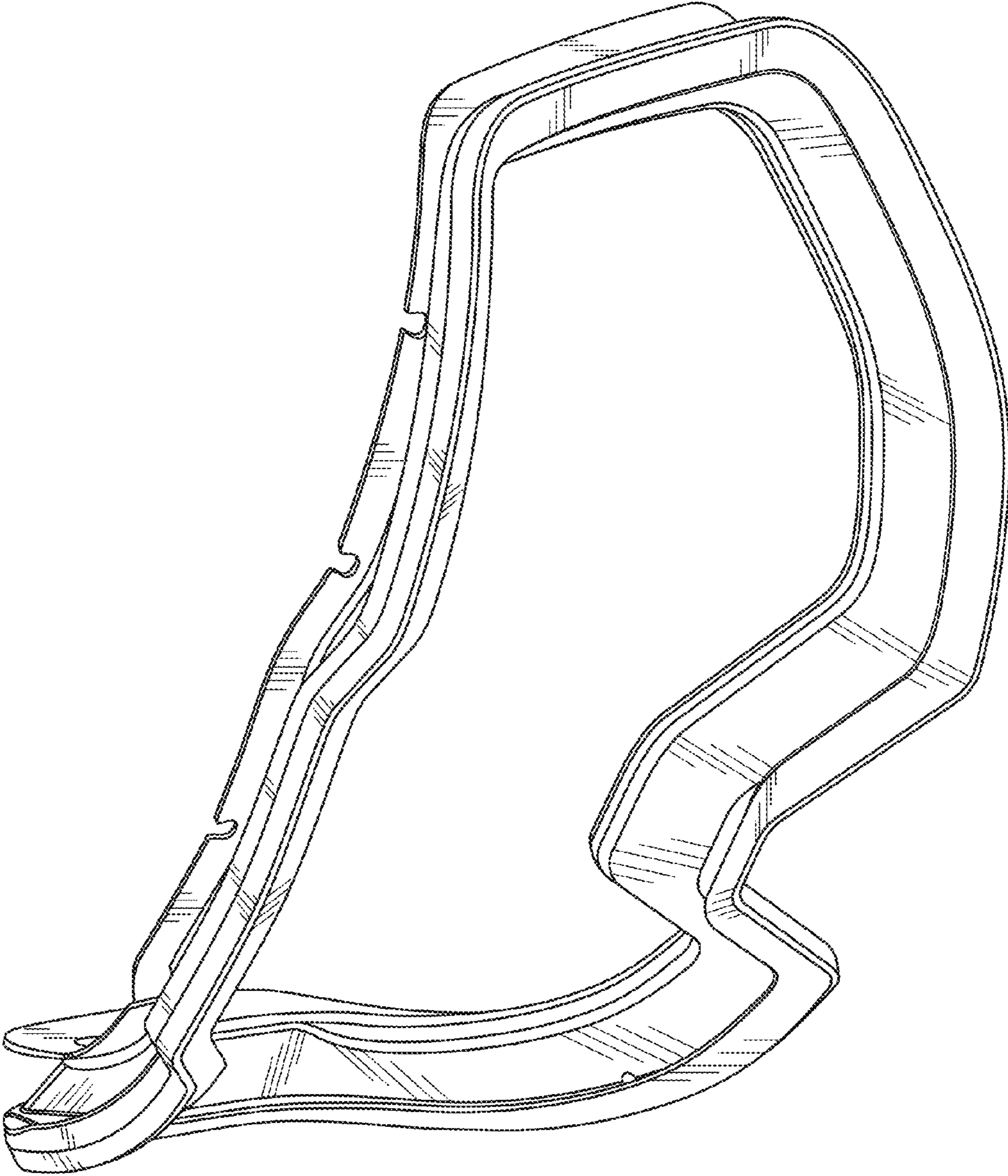


FIG. 1

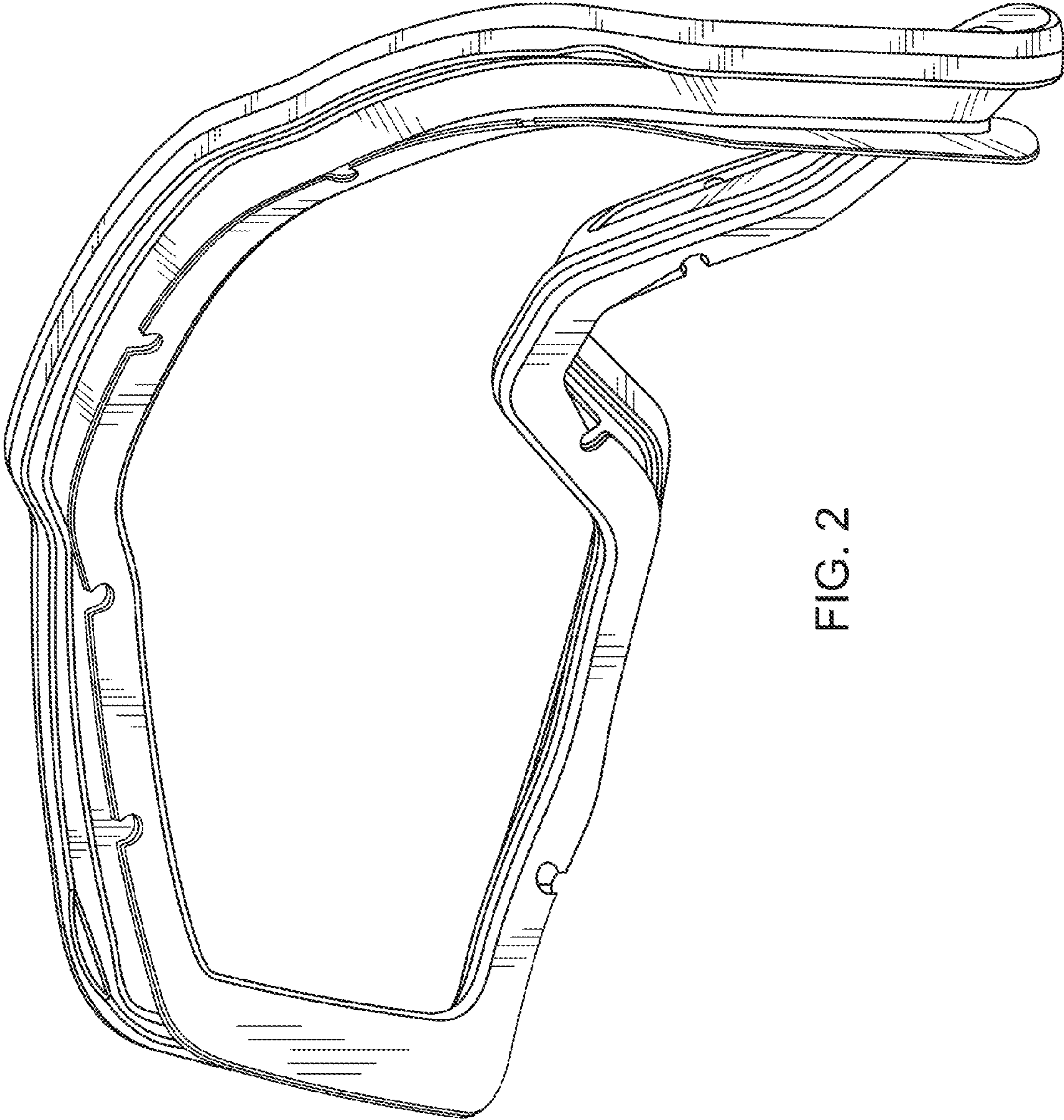


FIG. 2

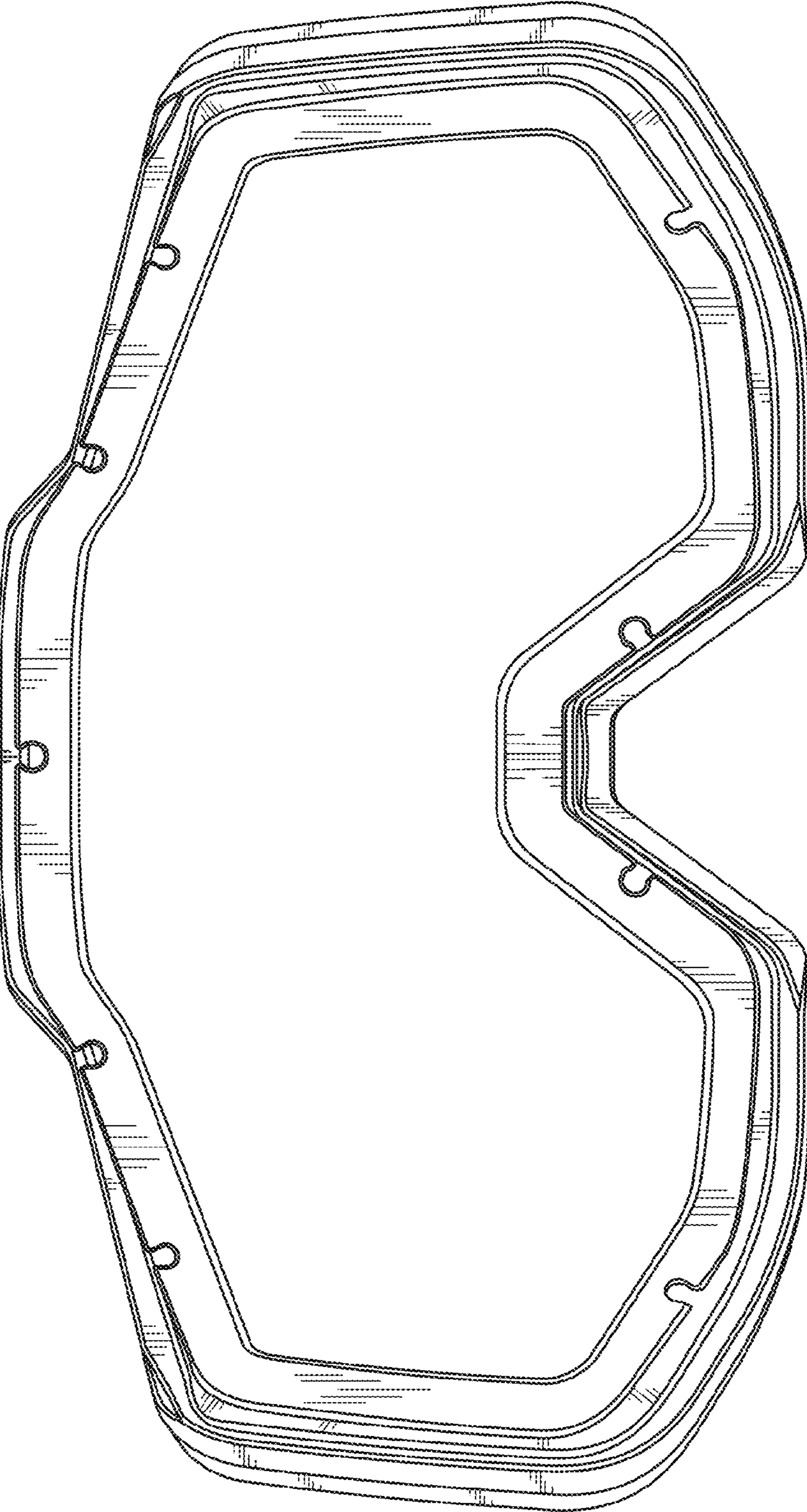


FIG. 3

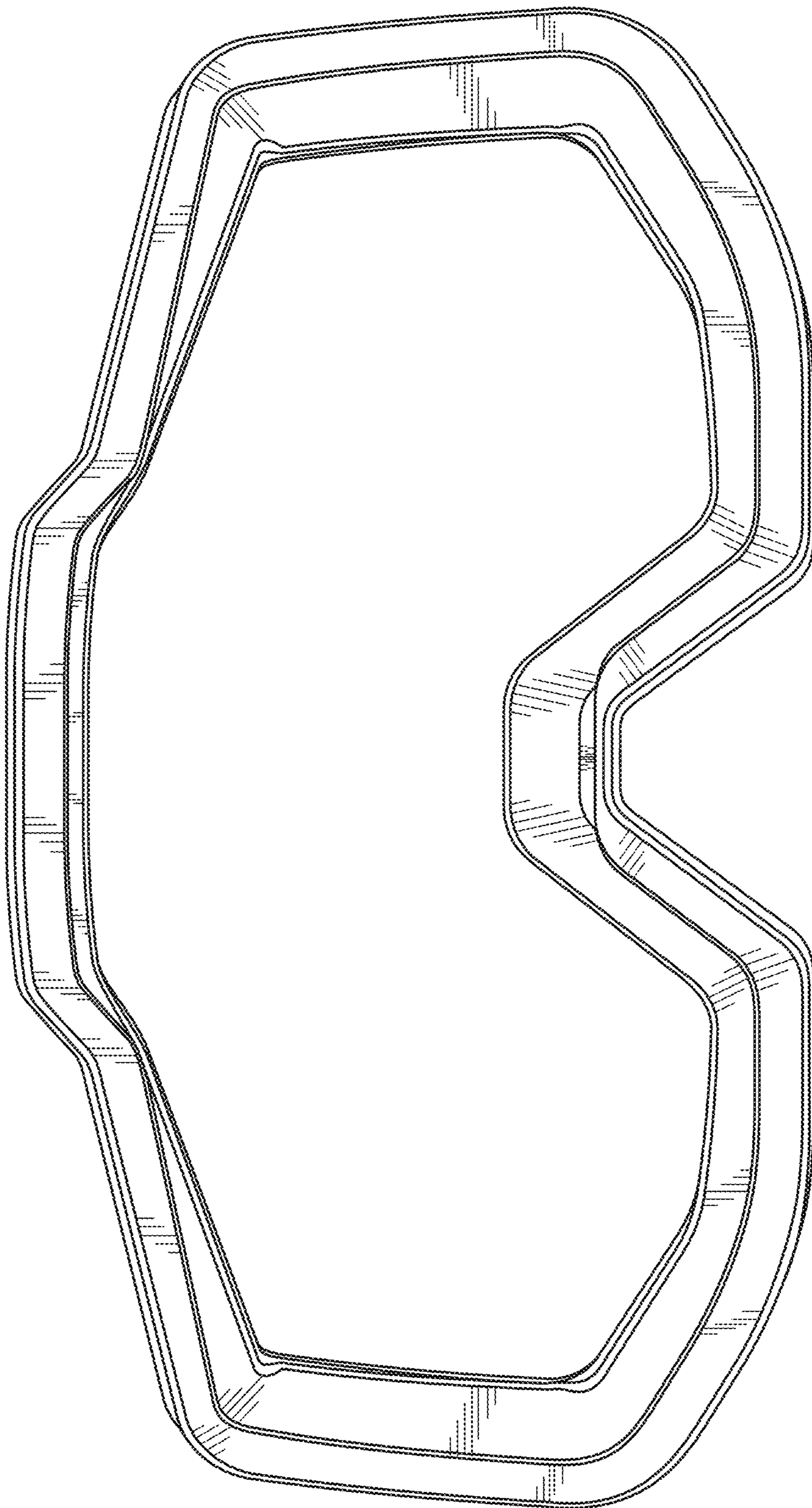


FIG. 4

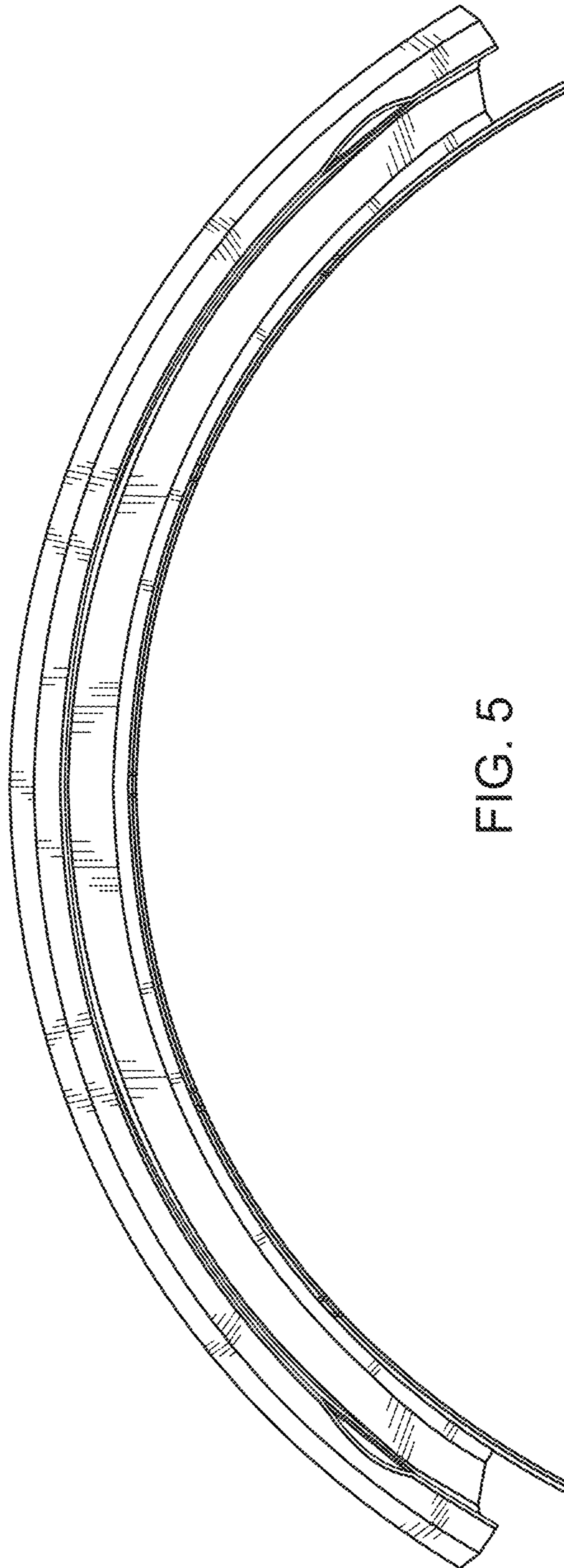


FIG. 5

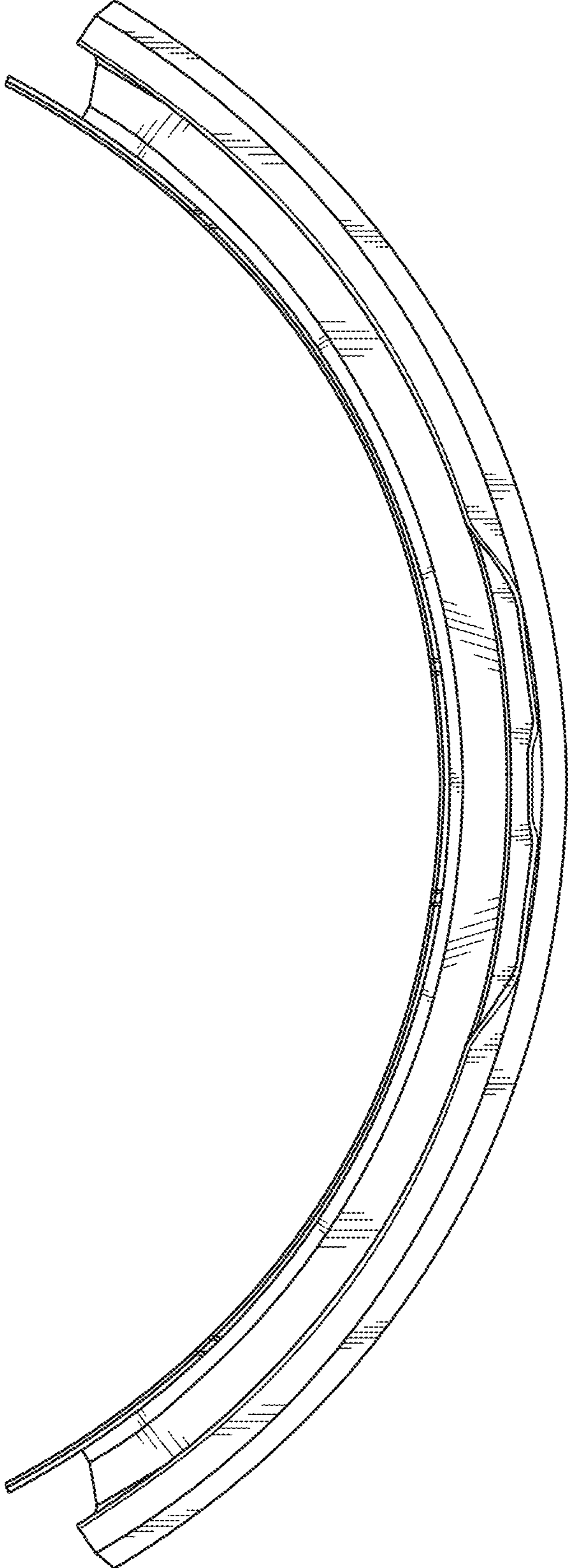


FIG. 6

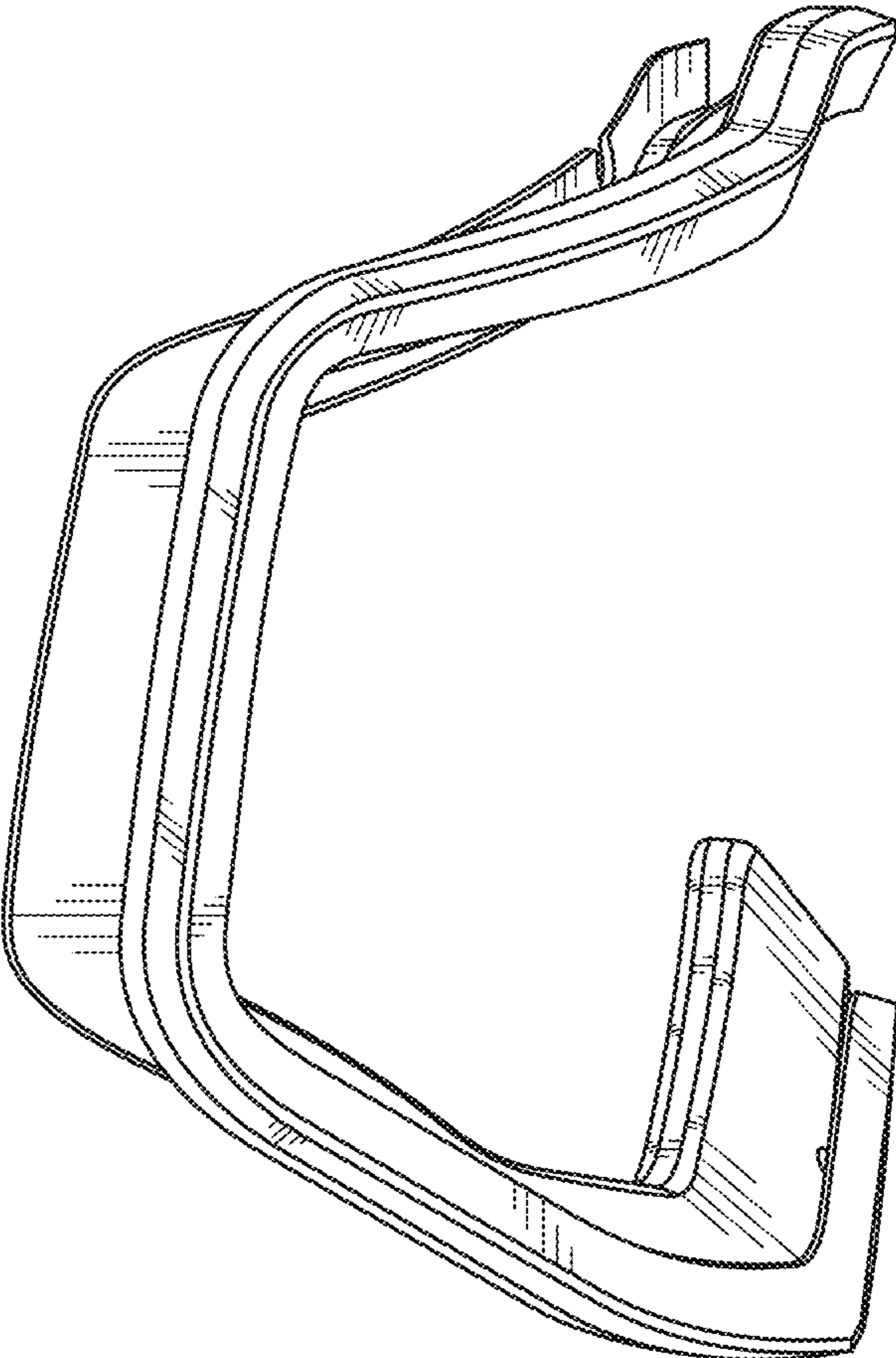


FIG. 7

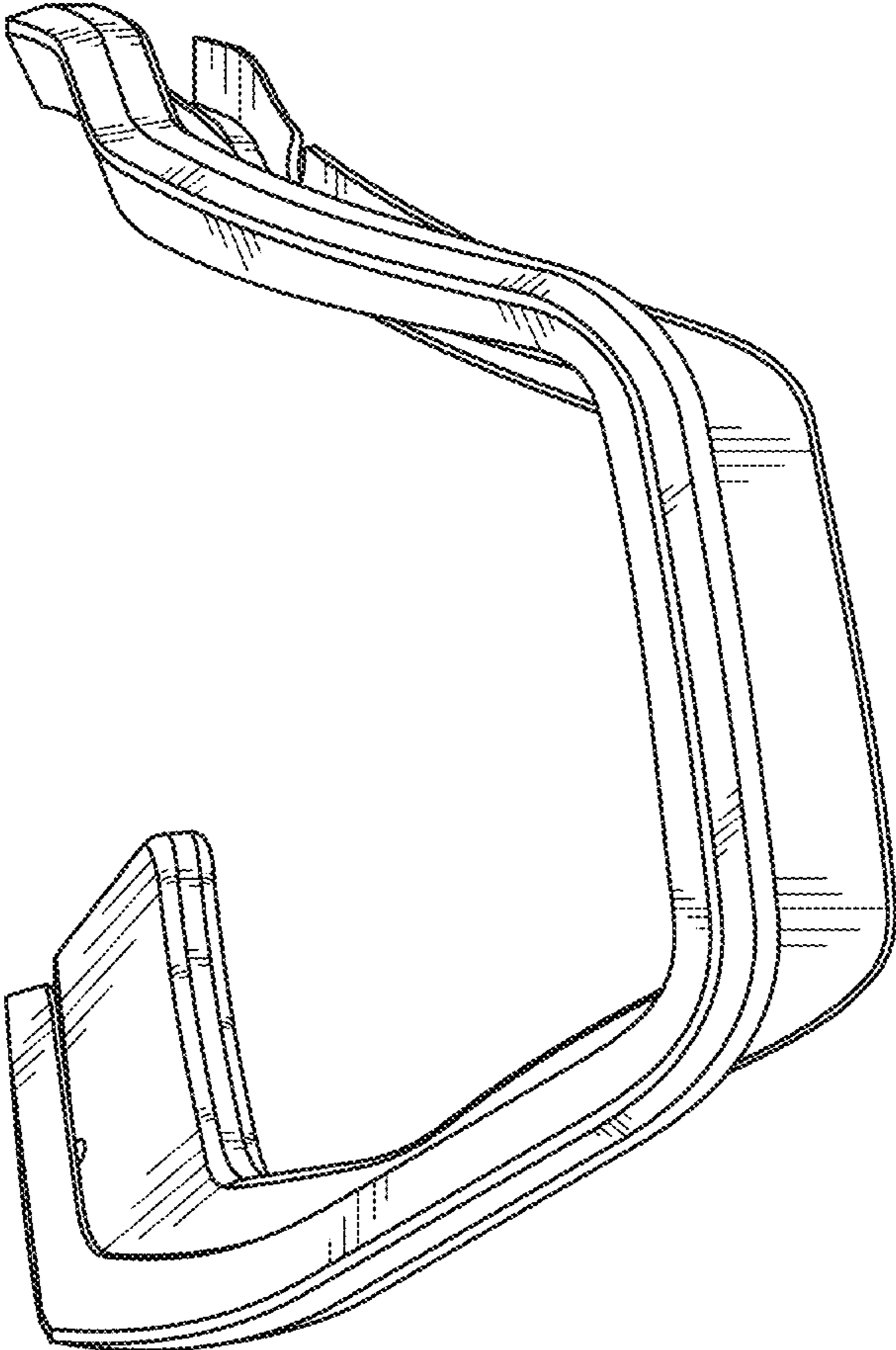


FIG. 8

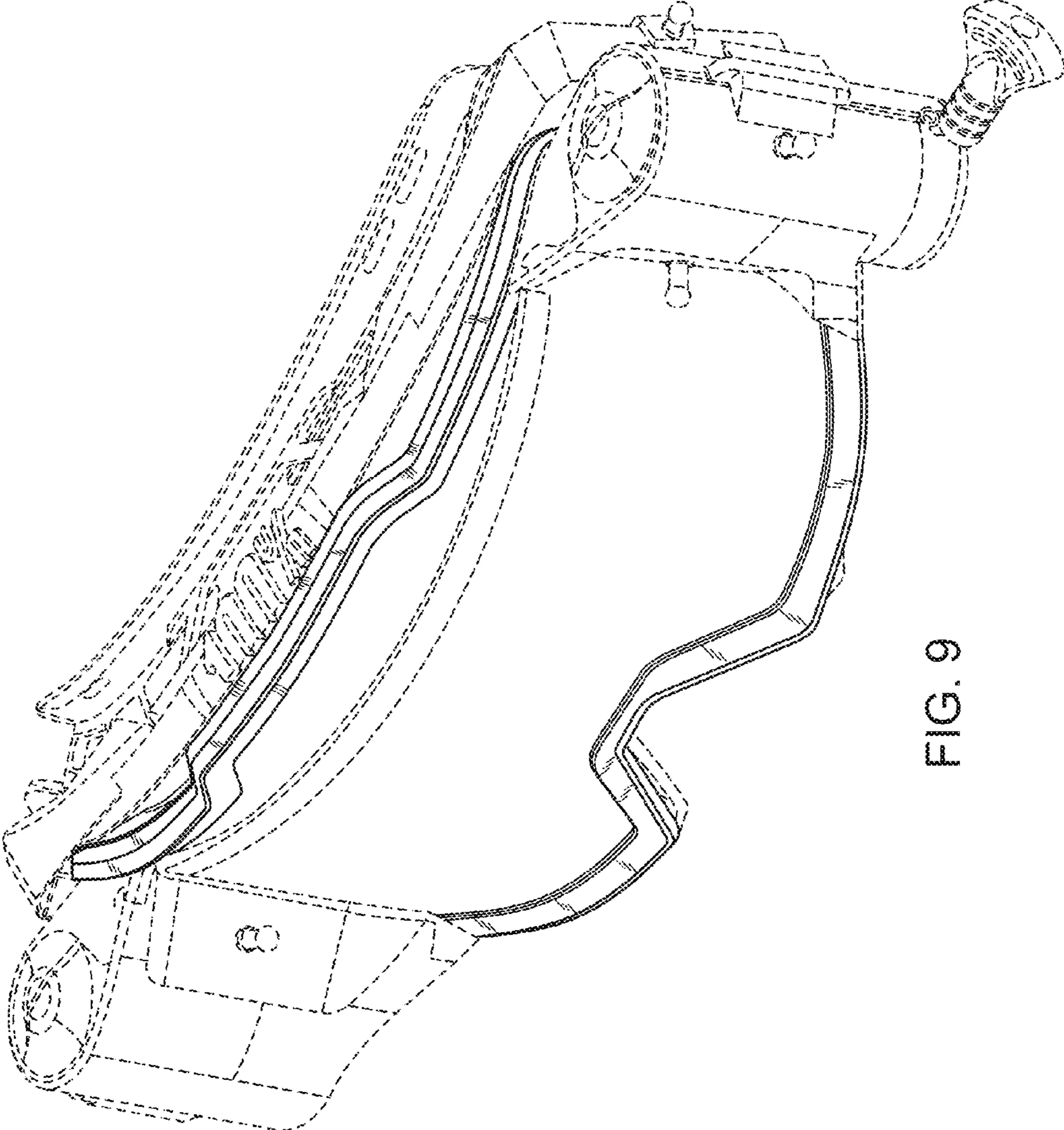


FIG. 9

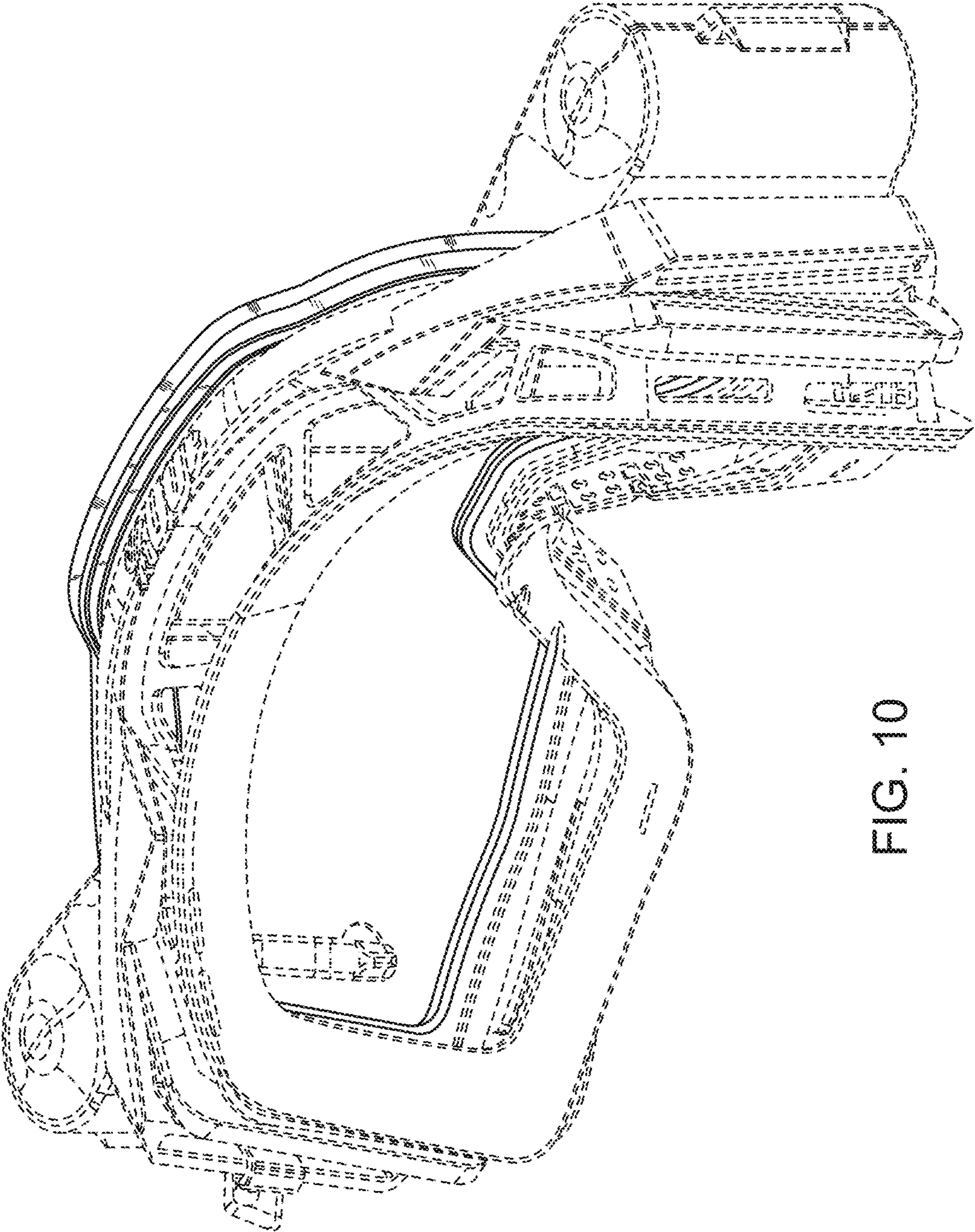


FIG. 10